

PLEASE CHECK WWW.MOLEX.COM FOR LATEST PART INFORMATION

Part Number: **0357251800**
Status: **Active**
Description: 6.35mm Tab Slip-On Wire-to-Wire Terminal, Male, 14-18 AWG, Unplated

Documents:

Drawing (PDF)	Product Specification PS-35725-002-001 (PDF)
Product Specification PS-35166-001-001 (PDF)	Product Specification PS-35725-005-001 (PDF)
Product Specification PS-35270-001-001 (PDF)	Product Specification PS-35955-001-001 (PDF)
Product Specification PS-35385-001-001 (PDF)	Packaging Specification PK-35725-009-001 (PDF)
Product Specification PS-35519-001-001 (PDF)	RoHS Certificate of Compliance (PDF)

General

Product Family	Crimp Terminals
Series	<u>35725</u>
Application	Power
Crimp Quality Equipment	Yes
Product Name	N/A
UPC	800754318259

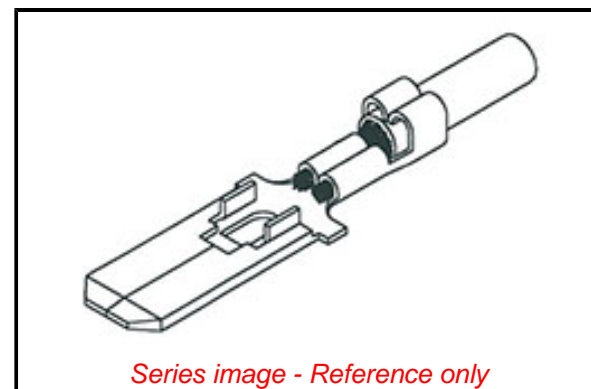
Physical

Gender	Male
Material - Metal	Brass
Material - Plating Mating	Unplated
Net Weight	0.733/g
Packaging Type	Reel
Termination Interface: Style	Crimp or Compression
Wire Insulation Diameter	3.60mm max.
Wire Size AWG	14, 16, 18
Wire Size mm ²	N/A

Material Info

Reference - Drawing Numbers

Crimp Specification	CS-35430-001-001
Packaging Specification	PK-35725-009-001
Product Specification	PS-35166-001-001, PS-35270-001-001, PS-35385-001-001, PS-35519-001-001, PS-35725-002-001, PS-35725-005-001, PS-35955-001-001
Sales Drawing	SD-35725-***0



Series image - Reference only

EU ELV

Not Relevant

EU RoHS

Compliant

REACH SVHC

Not Contained Per -
ED/30/2017 (7 July
2017)

Halogen-Free

Status

Low-Halogen

Need more information on product environmental compliance?

Email productcompliance@molex.com
Please visit the [Contact Us](#) section for any non-product compliance questions.

China ROHS

ELV

RoHS Phthalates

Green Image

Not Relevant

Not Contained

Search Parts in this Series

35725 Series

Mates With

35725-37**

Application Tooling | FAQ

Tooling specifications and manuals are found by selecting the products below. Crimp Height Specifications are then contained in the Application Tooling Specification document.

Global

Description

Product #

HAND CRIMP TOOL 0638256300