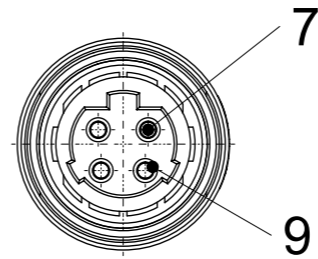
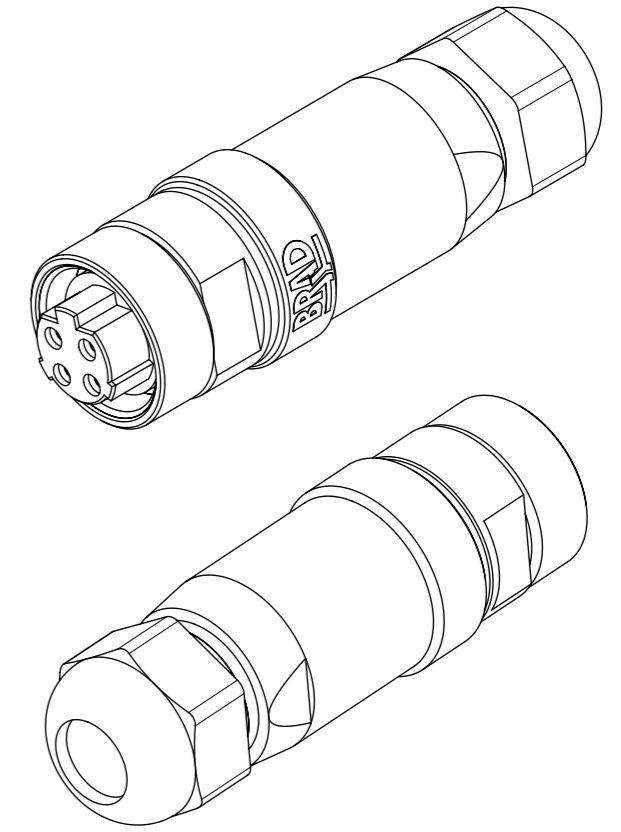


BACK SIDE INSERT ONLY A1



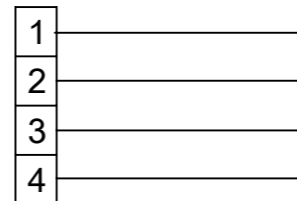
FEMALE FACE VIEW



NOTES:

- ELECTRICAL SPECIFICATION  
 VOLTAGE RATING: 600VAC  
 AMPERAGE RATING: max.15 AMPS  
 PROTECTION: IP67  
 OPERATING TEMPERATURE: -20°C TO +80°C  
 FINAL OPERATING TEMPERATURE NEEDS TO BE CONFIRMED
- UL CERTIFICATION: UL LISTED AND CULUS LISTED.  
 FILE NUMBER E258922
- ENGINEERING NUMBER: 1A4100-34PWR

WIRING CHART



ITEM	QTY	COMPONENT	MATERIAL	FINISH
1	1	HUT NUT PG 13.5	PA, BLACK	-
2	1	GASKET MO	NITRILE, BLACK	-
3	1	INSERT FE REAR	PA, BLACK	-
4	1	INSERT FE FRONT	SANTOPRENE, BLACK	-
5	1	GASKET OR	NBR, BLACK	-
6	1	COUPLING NUT	BRASS	Ni PLATED
7	4	CONTACT FE	BRASS	AU PLATED
8	4	SCREW M3x5	BRASS	ZN
9	4	SLEEVE	STAINLESS STEEL 305	-
10	1	HOUSING FA	PA, BLACK	-
11	1	POLYBAG 200x200x0.050	PE	-

RELEASE STATUS P1 RELEASE DATE 25.10.2017 08.25.14

QUALITY SYMBOLS ▽ = 0 ▽ = 0 ▽ = 0 ▽ = 0 ▽ = 0 ▽ = 0 ▽ = 0 ▽ = 0 ▽ = 0 ▽ = 0 ▽ = 0	THIS DRAWING CONTAINS INFORMATION THAT IS PROPRIETARY TO MOLEX ELECTRONIC TECHNOLOGIES, LLC AND SHOULD NOT BE USED WITHOUT WRITTEN PERMISSION		DIMENSION UNITS SCALE mm 1:1			
	EC NO: 167046 DRWN: RSCHIEBER CHK'D: BBRAUCH REV APPR:	GENERAL TOLERANCES (UNLESS SPECIFIED) ANGULAR TOL ± 1.0 °	DRWN BY DATE RSCHIEBER 2016/01/25	FA MC 4P OC FE STR PG13.5 UNSH BK PA AU		
		4 PLACES ± 3 PLACES ± 2 PLACES ± 0.05 1 PLACE ± 0.3 0 PLACES ± 0.5	CHK'D BY DATE JALEXANDER 2016/03/16	PRODUCT CUSTOMER DRAWING		
		DRAFT WHERE APPLICABLE MUST REMAIN WITHIN DIMENSIONS	APPR BY DATE JALEXANDER 2016/03/16	DRAWING SIZE THIRD ANGLE PROJECTION A3		SERIES MATERIAL NUMBER CUSTOMER 130017 1300170065
		DOCUMENT NUMBER DOC TYPE DOC PART SHEET NUMBER 1300170065 PSD 000 1 OF 1				