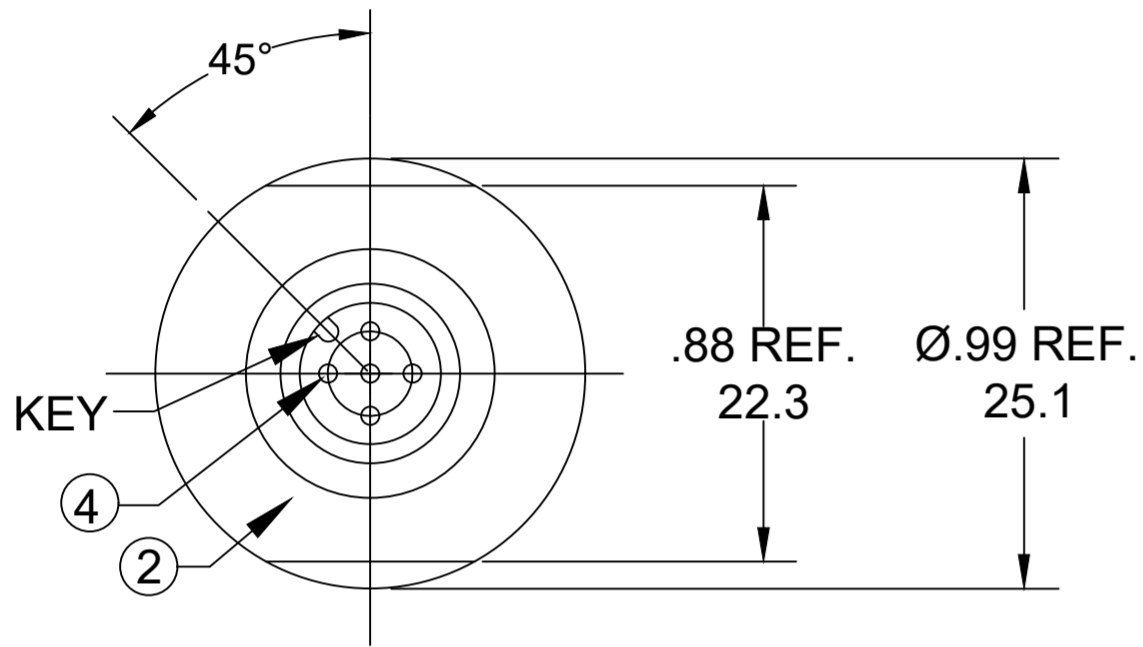
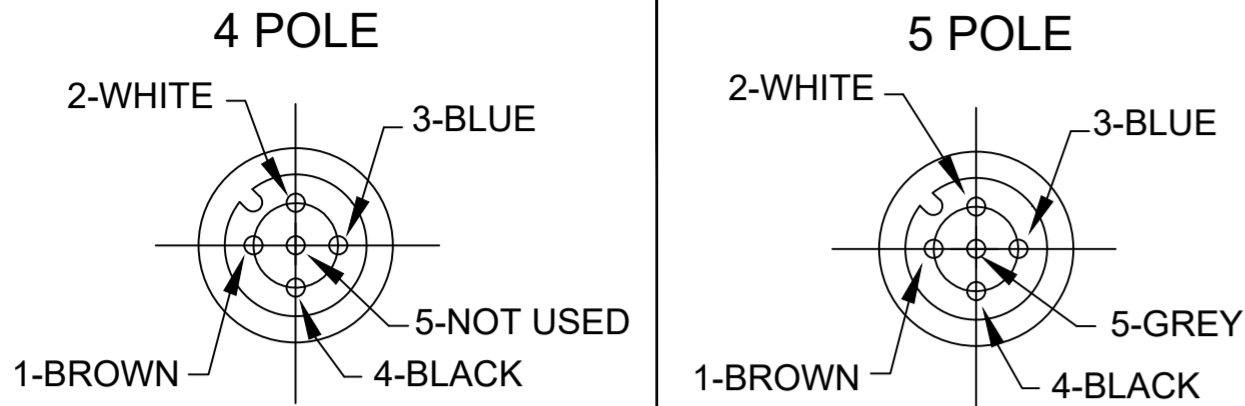
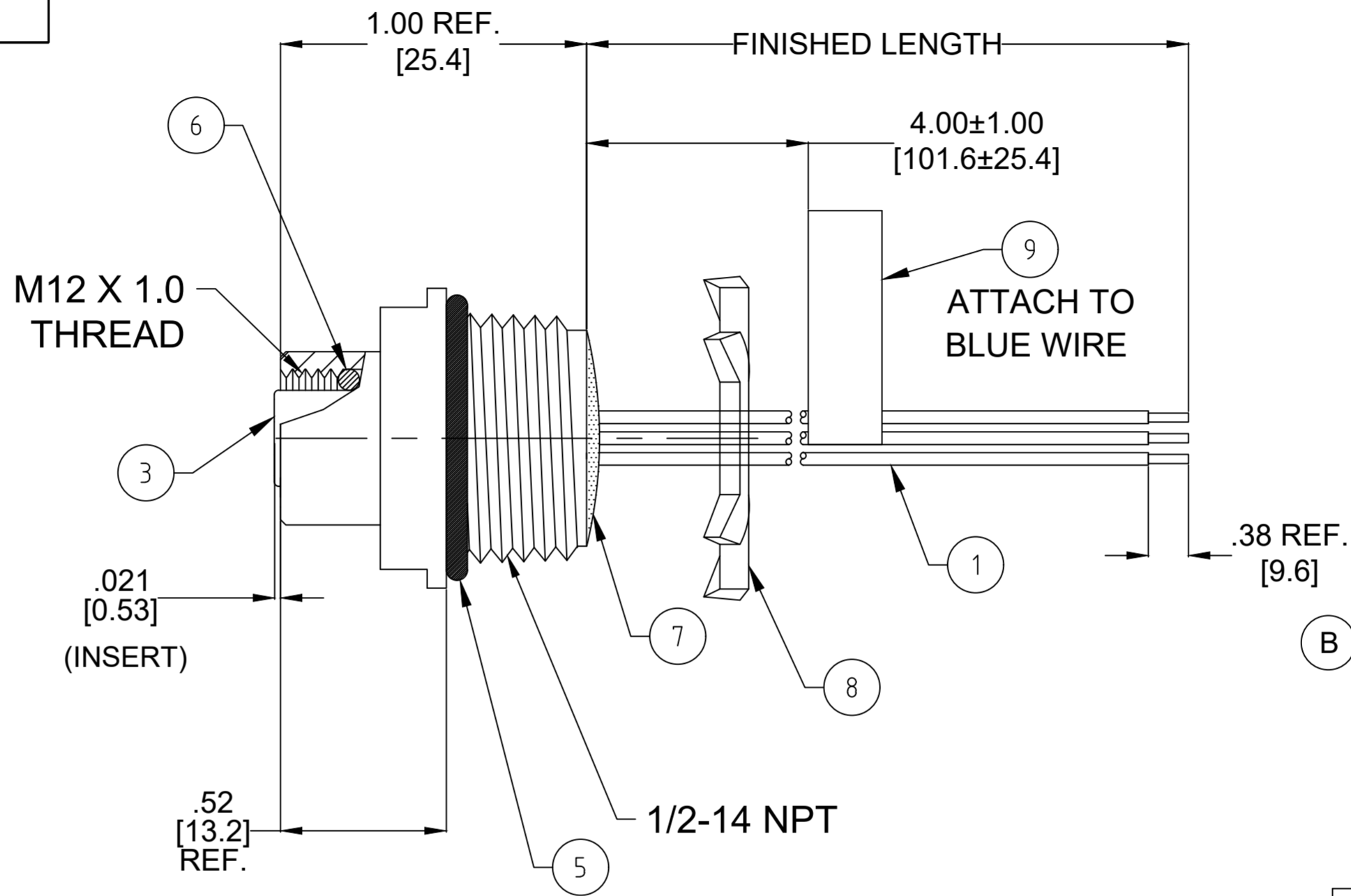


**FRONT VIEW  
FEMALE INSERT CONFIGURATION CHART**

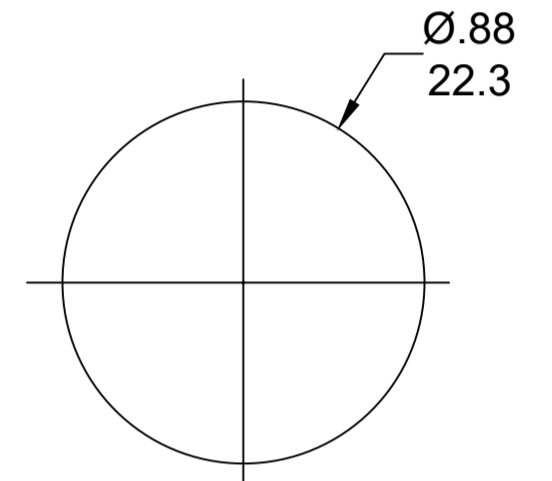


- NOTES:**
1. MATERIAL: AS NOTED
  2. FINISH: AS NOTED
  3. ELECTRICAL:  
VOLTAGE: 4 & 5P 250V  
CURRENT: 4A
  4. TEMP RATING: -20°C TO +105°C
  5. PROTECTION: IP67 (WHEN MATED)
  6. CSA CERTIFIED FILE: LR6837
  7. ALL DIMENSIONS ARE FOR REFERENCE UNLESS TOLERANCED OR NOTED OTHERWISE

SAP P/N #	ENGINEERING P/N	FINISHED LENGTH
1200700168	8R4000A16M005	0.5M [ 1FT 8 IN ]
1200704013	8R5000A16M030	3M [ 9FT 10 IN ]
1200700172	8R4000A16M060	6M [ 19FT 8 IN ]



**KNOCKOUT HOLE**



**PART NO. LEGEND**

**8R4000A16M005**

POLES (4, 5)      LENGTH:  
M005= 0.5 METER  
M010= 1 METER  
M100= 10 METER

**CABLE LENGTH TOLERANCES**

<.3M [1FT]:	+19mm-0 [ +.75in-0]
.3 - .9M [1 - 3FT]:	+44.5mm-0 [+1.75in-0]
.9 - 1.8M [3 - 6FT]:	+55.6mm-0 [+2.19in-0]
1.8 - 3.7M [6 - 12FT]:	+88.9mm-0 [+3.50in-0]
3.7 - 7.3M [12 - 24FT]:	+165.1mm-0 [+6.50in-0]
7.3-14.6M [24 - 48FT]:	+317.5mm-0 [+12.50in-0]
14.6 - 30.5M [48-100FT]:	+622.3mm-0 [+24.50in-0]
OVER 30M [100FT]	+2% OF FINISHED LENGTH

ITEM	COMPONENT	MATERIAL	FINISH
9	LABEL	VINYL	BLACK/YELLOW
8	LOCKNUT	STEEL	ZINC PLATED
7	POTTING MATERIAL	EPOXY	
6	O-RING (MATING)	VITON	RED
5	O-RING (PANEL)	NITRILE	BLACK
4	CONTACT SOCKET	COPPER ALLOY	GOLD OVER NICKEL
3	FEMALE INSERT	NYLON	BLACK
2	SHELL FM M12x1	ZINC DIE CAST	YELLOW
1	WIRE #18	PVC	SEE FACE VIEW

FUNCTIONAL SYMBOLS	THIS DRAWING CONTAINS INFORMATION THAT IS PROPRIETARY TO MOLEX ELECTRONIC TECHNOLOGIES, LLC AND SHOULD NOT BE USED WITHOUT WRITTEN PERMISSION		
	DIMENSION UNITS	SCALE	CURRENT REV DESC: UPDATED BOM, CORRECTED CABLE LENGTH TOLERANCES, CORRECTED STRIPPED WIRE DIM
DIVISIONAL SYMBOLS	INCH/MM	1:1	EC NO: 727352
	GENERAL TOLERANCES (UNLESS SPECIFIED)		DRWN: SAMB12 2022/11/03
DIVISIONAL SYMBOLS	4 PLACES	±----	CHK'D: RSTONE 2022/11/03
	3 PLACES	±----	APPR: BWOODMAN 2022/11/03
DIVISIONAL SYMBOLS	2 PLACES	±----	INITIAL REVISION:
	1 PLACE	±----	DRWN: RSTONE 2012/11/05
DIVISIONAL SYMBOLS	0 PLACES	±----	APPR: JFMURPHY 2013/02/07
	ANGULAR TOL ± ---- °		
DRAFT WHERE APPLICABLE MUST REMAIN WITHIN DIMENSIONS	THIRD ANGLE PROJECTION	DRAWING	SERIES
		C-SIZE	120070
DOCUMENT STATUS	P1	RELEASE DATE	2022/11/10 21:42:40
DOCUMENT NUMBER		DOC TYPE/DOC PART	REVISION
SD-120070-043		PSD	001 B
MATERIAL NUMBER		CUSTOMER	SHEET NUMBER
		GENERAL MARKET	1 OF 1