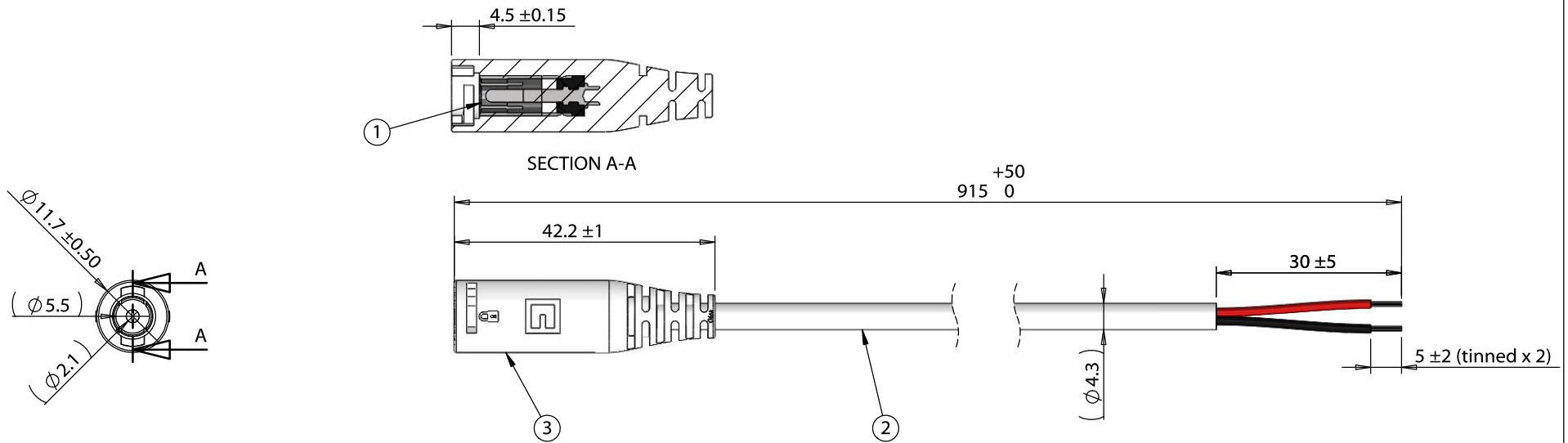


ITEM NO.	PART NUMBER	DESCRIPTION	QTY.	COMPONENT NOTES
1	50-00152	Connector, dc jack, 5.5x2.1xH6.5xL19.5 mm, molding style	1	
2	30-00690	Wire, 2C TS, 22 AWG, UL2464, 300V, 80C, 4.30 mm, VW-1, PVC, white	1	
3	24-00162	Overmold, dc jack, twistlock, PVC	1	white



Notes:

Designed to mate with cable assembly: 10-02934

Functionally equivalent components may be substituted

Wiring Diagram	
50-00152	wire color
center	red
sleeve	black

Revision:	Date:	Description:	Prepared:	Notes:	<h1>TENSILITY</h1> <p>tel 1.541.323.3228 800 877.670.7118 fax 1.541.323.4202 web tensility.com</p>
A	9/19/2018	Initial release	AW <small>Digitally signed by AW Date: 2018.09.19 09:14:30 -07'00'</small>		
			Verified:	Function test: no open, no short circuit, no intermittent	Size:
			JP <small>Digitally signed by JP Date: 2018.09.19 10:47:34 -07'00'</small>	Description:	Part number:
			Dimensions are in millimeters. Tolerances: X: ± 0.5 mm X.X: ± 0.3 mm X.XX: ± 0.05 mm	Cable, 915 mm, 5.5x2.1 mm 50-00152 dc jack twist lock to 5 mm tinned, 22 AWG, UL2464, white	10-02935
					Scale: 1:1
					Sheet 1 of 1

5

4

3

2

1