

MATERIALS AND FINISHES:

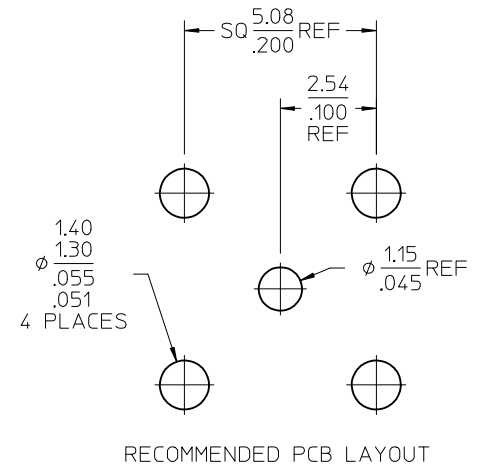
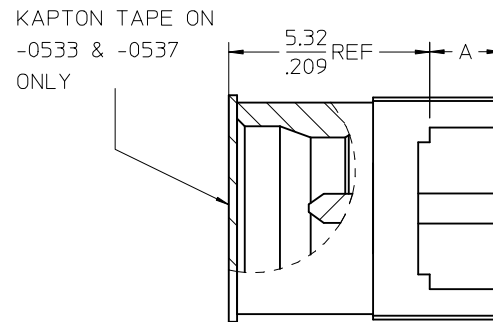
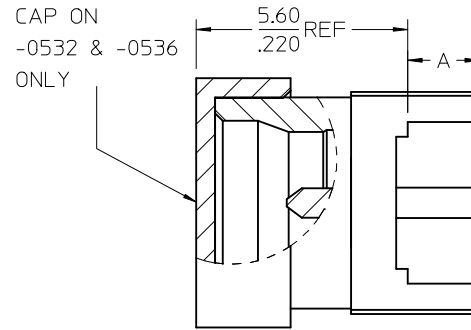
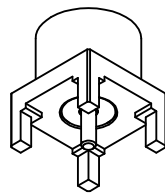
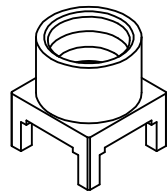
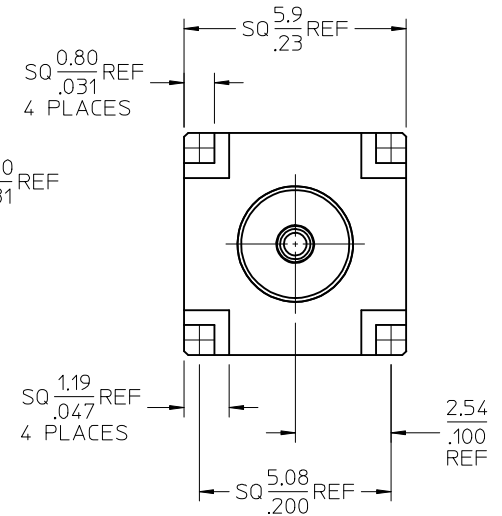
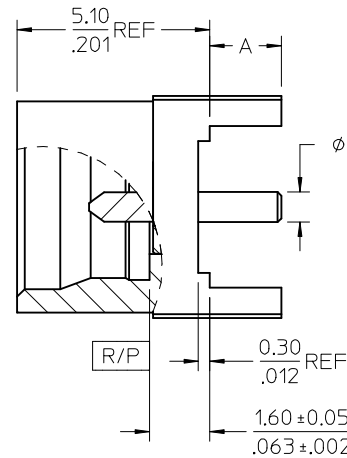
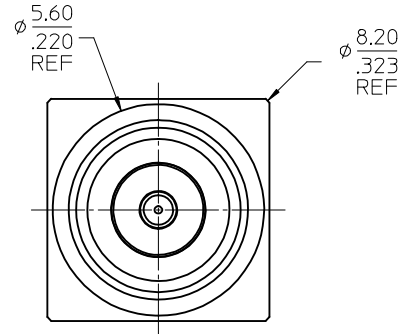
BODY, CONTACT: BRASS
 PLATED: GOLD (8μ-in MIN) OVER
 NICKEL PHOSPHOR (80μ-in MIN).

INSULATOR: PTFE.

CAP: PTFE (-0532 AND -0536 ONLY)

KAPTAN: POLYIMIDE FILM

COLOR: BLACK
 (ON -0533 AND -0537 ONLY).



73420-0537	T&R W/ KAPTAN	3.35 / .132	400
73420-0536	T & R W/ CAP	3.35 / .132	400
73420-0535	TRAY	3.35 / .132	80
73420-0534	SINGLE PIECE	3.35 / .132	1
73420-0533	T&R W/ KAPTAN	1.90 / .075	500
73420-0532	T & R W/ CAP	1.90 / .075	500
73420-0531	TRAY	1.90 / .075	80
73420-0530	SINGLE PIECE	1.90 / .075	1
PART NO.	PACKAGING	MM / IN	QTY
		DIM A (REF)	

PS-89675-3760	ELEC/MECH PERFORMANCE
SPECIFICATION	DESCRIPTION

CHG: ADD TOLERANCE TO DIM 1.60/.063 IN

G5 ZONE:
 DRWIN:APRAKASHO1 2017/06/16
 CHKD:888 2017/06/16
 APPR:AROBERTSON 2017/06/28

QUALITY SYMBOLS
 ∇=0
 ∇=0
 ∇=0

GENERAL TOLERANCES (UNLESS SPECIFIED)

	mm	INCH
4 PLACES	± .25	± .010
3 PLACES	± .25	± .010
2 PLACES	± .25	± .010
1 PLACE	± .25	± .010
0 PLACE	± .25	± .010

ANGULAR ± 2 °

DRAFT WHERE APPLICABLE MUST REMAIN WITHIN DIMENSIONS

DIMENSION STYLE MM/IN

DRAWN BY DATE
 AROBERTSON 2011/05/27

CHECKED BY DATE
 SSS 2011/05/27

APPROVED BY DATE
 JWIENER 2011/06/10

MATERIAL NO.
 SEE TABLE

SIZE C

SCALE DESIGN UNITS METRIC

THIRD ANGLE PROJECTION

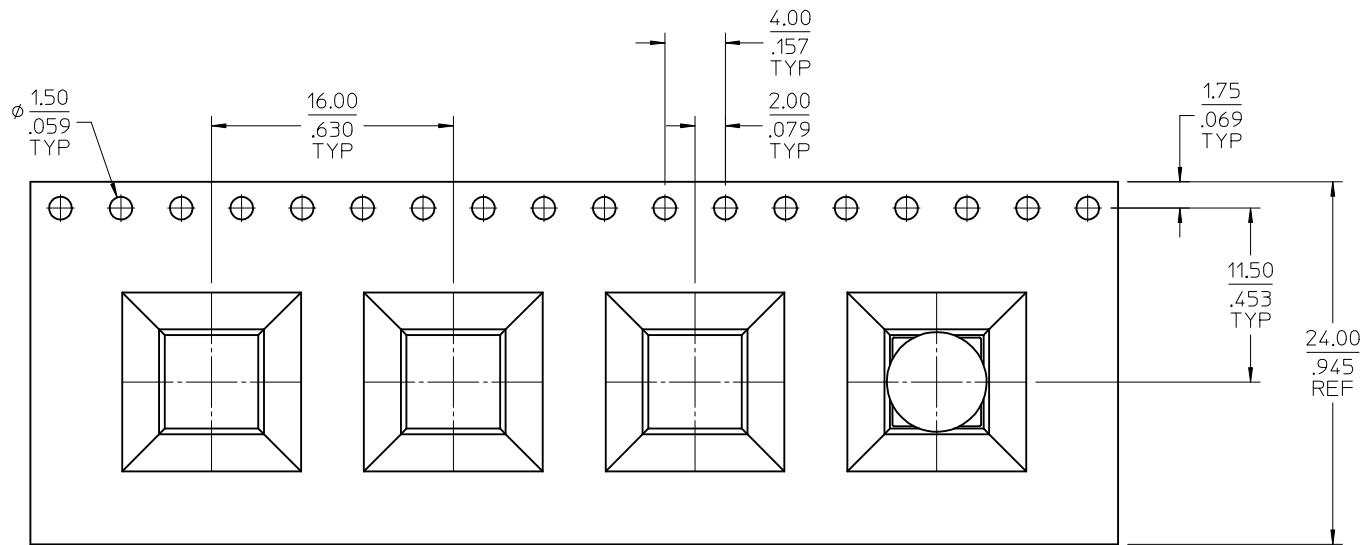
TITLE
 SMP-MAX PLUG DETENT
 VERTICAL PCB TH
 SMPMAX-P/PCB, EWR-4718

molex

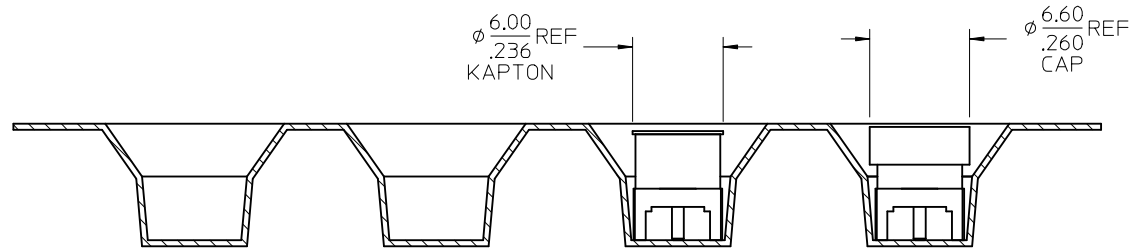
DOCUMENT NO. SD-73420-053

SHEET NO. 1 OF 3

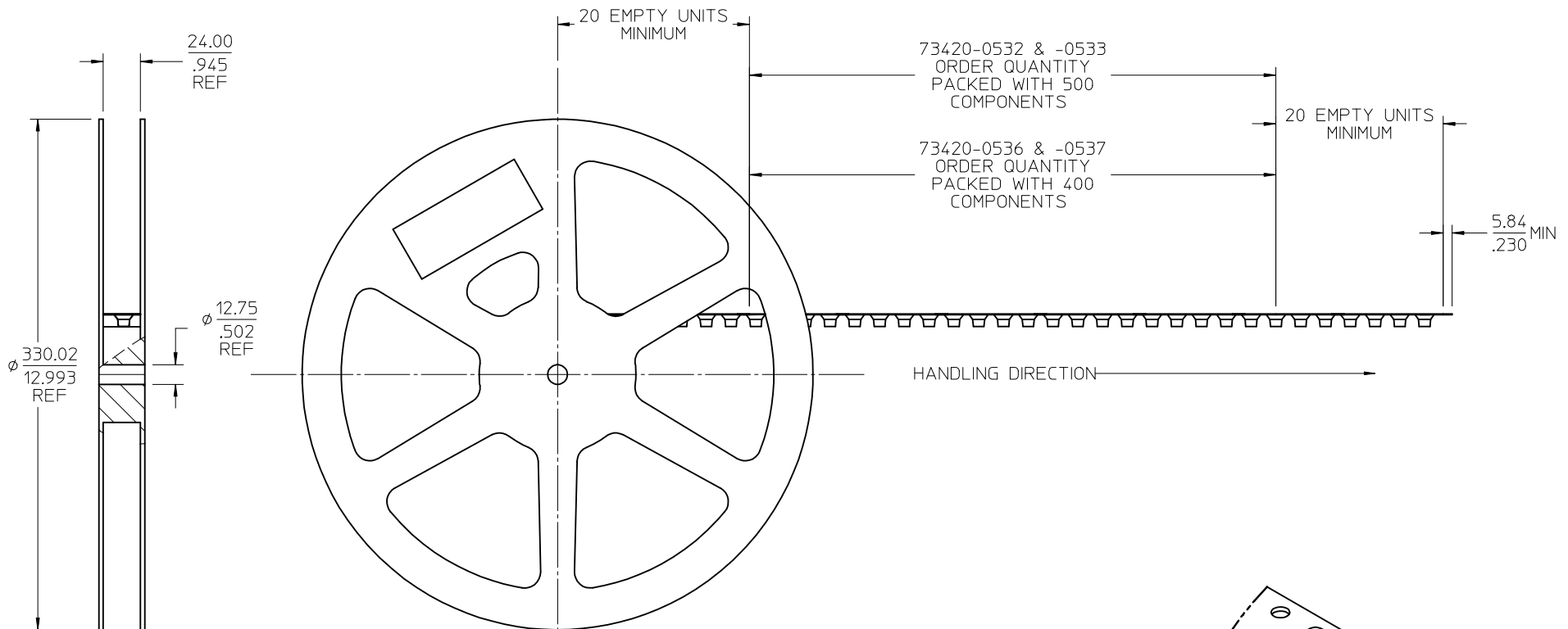
THIS DRAWING CONTAINS INFORMATION THAT IS PROPRIETARY TO MOLEX INCORPORATED AND SHOULD NOT BE USED WITHOUT WRITTEN PERMISSION



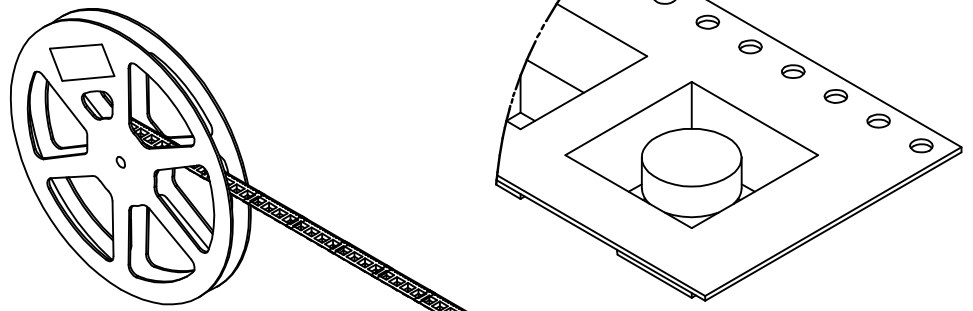
FOR -0532 & -0533
& -0536 & -0537



CHG: SEE SHEET 1 IEC NO: URF2017-0447 DRWN: APRAKASHO1 2017/06/16 CHKD: BBB 2017/06/16 APPR: AROBERTSON 2017/06/28	QUALITY SYMBOLS $\nabla=0$ $\nabla=0$ $\nabla=0$	GENERAL TOLERANCES (UNLESS SPECIFIED) <table border="1"> <thead> <tr> <th></th> <th>mm</th> <th>INCH</th> </tr> </thead> <tbody> <tr> <td>4 PLACES</td> <td>\pm---</td> <td>\pm---</td> </tr> <tr> <td>3 PLACES</td> <td>\pm---</td> <td>$\pm .010$</td> </tr> <tr> <td>2 PLACES</td> <td>± 0.25</td> <td>\pm---</td> </tr> <tr> <td>1 PLACE</td> <td>\pm---</td> <td>\pm---</td> </tr> <tr> <td>0 PLACE</td> <td>\pm---</td> <td>\pm---</td> </tr> </tbody> </table>		mm	INCH	4 PLACES	\pm ---	\pm ---	3 PLACES	\pm ---	$\pm .010$	2 PLACES	± 0.25	\pm ---	1 PLACE	\pm ---	\pm ---	0 PLACE	\pm ---	\pm ---	DIMENSION STYLE MM/IN DRAWN BY: AROBERTSON DATE: 2011/05/27 CHECKED BY: SSS DATE: 2011/05/27 APPROVED BY: JWIENER DATE: 2011/06/10	SCALE DESIGN UNITS METRIC THIRD ANGLE PROJECTION	TITLE SMP-MAX PLUG DETENT VERTICAL PCB TH SMPMAX-P/PCB, EWR-4718 molex	MATERIAL NO. SEE SHEET 1	DOCUMENT NO. SD-73420-053	SHEET NO. 2 OF 3
		mm	INCH																							
	4 PLACES	\pm ---	\pm ---																							
	3 PLACES	\pm ---	$\pm .010$																							
2 PLACES	± 0.25	\pm ---																								
1 PLACE	\pm ---	\pm ---																								
0 PLACE	\pm ---	\pm ---																								
DESCRIPTION A5	ANGULAR $\pm 2^\circ$ DRAFT WHERE APPLICABLE MUST REMAIN WITHIN DIMENSIONS	SIZE C	THIS DRAWING CONTAINS INFORMATION THAT IS PROPRIETARY TO MOLEX INCORPORATED AND SHOULD NOT BE USED WITHOUT WRITTEN PERMISSION																							



FOR -0532 & -0533
& -0536 & -0537



Detail 1
Scale 4:1
SEE Detail 1

CHG: SEE SHEET 1 EC NO: URF2017-0417 DRWN:APRAKASHO1 2017/06/16 CHKD:BBB 2017/06/16 APPR:AROBERTSON 2017/06/28 REV A5	QUALITY SYMBOLS ▽=0 ▽=0 ▽=0	GENERAL TOLERANCES (UNLESS SPECIFIED) 4 PLACES ± --- INCH 3 PLACES ± --- ±.010 2 PLACES ± 0.25 ± --- 1 PLACE ± --- ± --- 0 PLACE ± --- ± --- ANGULAR ± 2 °	DIMENSION STYLE MM/IN DRAWN BY: AROBERTSON CHECKED BY: SSS APPROVED BY: JWIENER DATE: 2011/05/27 DATE: 2011/05/27 DATE: 2011/06/10	SCALE DESIGN UNITS METRIC THIRD ANGLE PROJECTION	TITLE SMP-MAX PLUG DETENT VERTICAL PCB TH SMPMAX-P/PCB, EWR-4718 molex	DOCUMENT NO. SD-73420-053	SHEET NO. 3 OF 3
	DRAFT WHERE APPLICABLE MUST REMAIN WITHIN DIMENSIONS	SEE SHEET 1	THIS DRAWING CONTAINS INFORMATION THAT IS PROPRIETARY TO MOLEX INCORPORATED AND SHOULD NOT BE USED WITHOUT WRITTEN PERMISSION				

MATERIALS AND FINISHES:

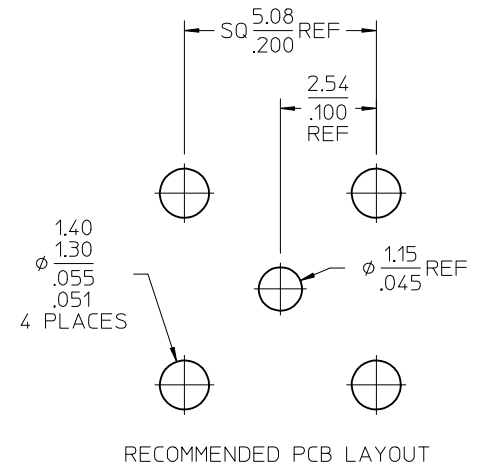
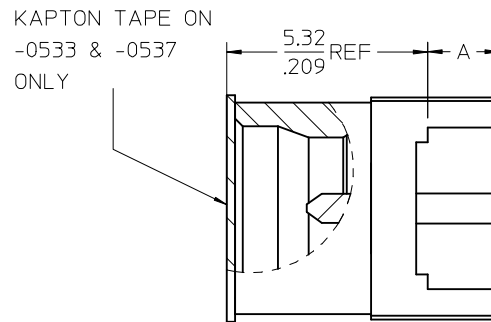
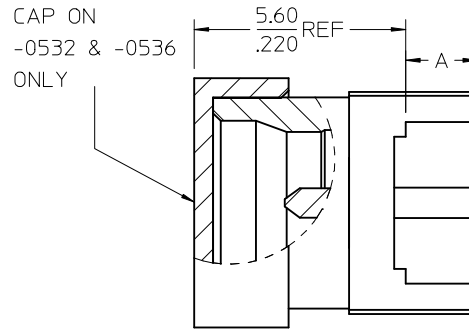
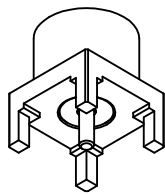
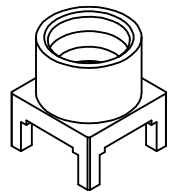
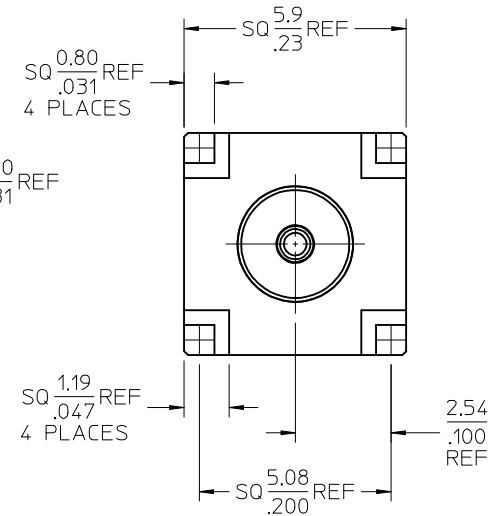
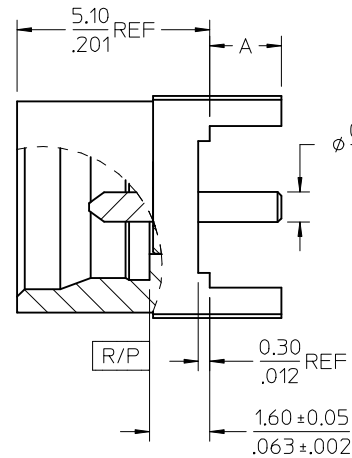
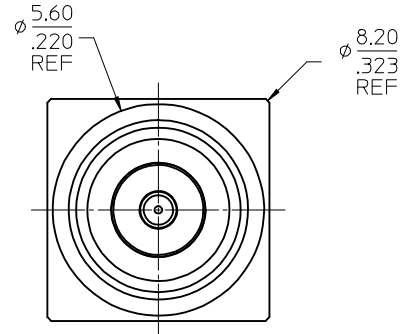
BODY, CONTACT: BRASS
 PLATED: GOLD (8μ-in MIN) OVER
 NICKEL PHOSPHOR (80μ-in MIN).

INSULATOR: PTFE.

CAP: PTFE (-0532 AND -0536 ONLY)

KAPTAN: POLYIMIDE FILM

COLOR: BLACK
 (ON -0533 AND -0537 ONLY).



73420-0537	T&R W/ KAPTAN	3.35 / .132	400
73420-0536	T & R W/ CAP	3.35 / .132	400
73420-0535	TRAY	3.35 / .132	80
73420-0534	SINGLE PIECE	3.35 / .132	1
73420-0533	T&R W/ KAPTAN	1.90 / .075	500
73420-0532	T & R W/ CAP	1.90 / .075	500
73420-0531	TRAY	1.90 / .075	80
73420-0530	SINGLE PIECE	1.90 / .075	1
PART NO.	PACKAGING	MM / IN	QTY
		DIM A (REF)	

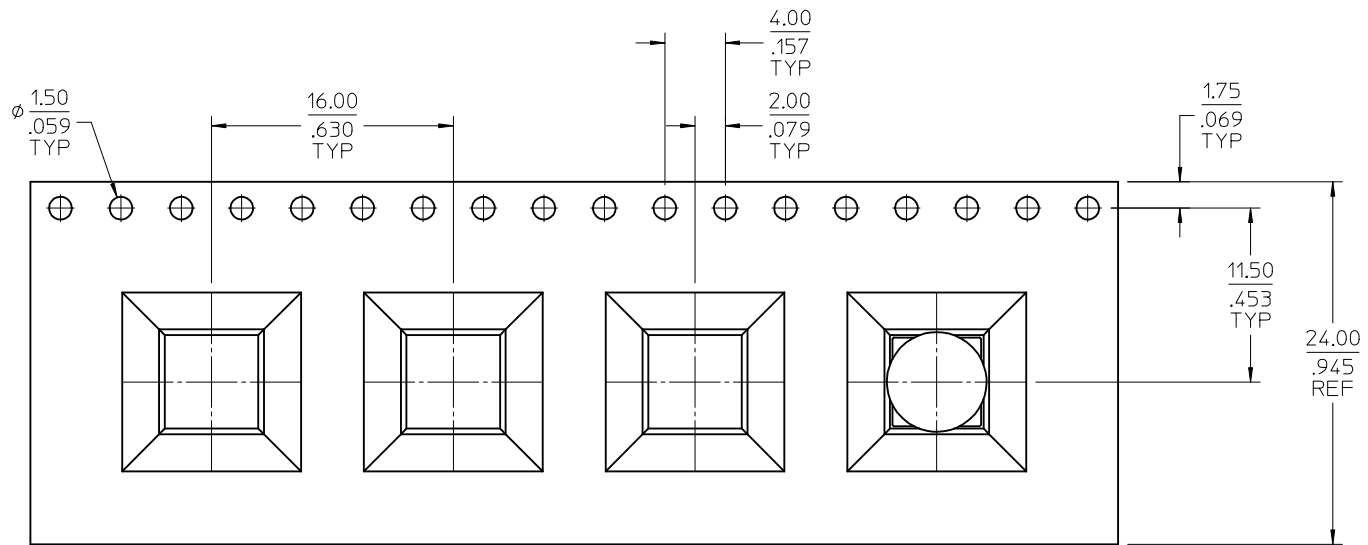
PS-89675-3760	ELEC/MECH PERFORMANCE
SPECIFICATION	DESCRIPTION

CHG: ADD TOLERANCE TO DIM 1.60/.063 IN	DATE: 2017/06/16
G5 ZONE: DRWIN:APRAKASHO1	DATE: 2017/06/16
CHKD:888	DATE: 2017/06/16
APPR:AROBERTSON	DATE: 2017/06/28
REV: A5	DESCRIPTION

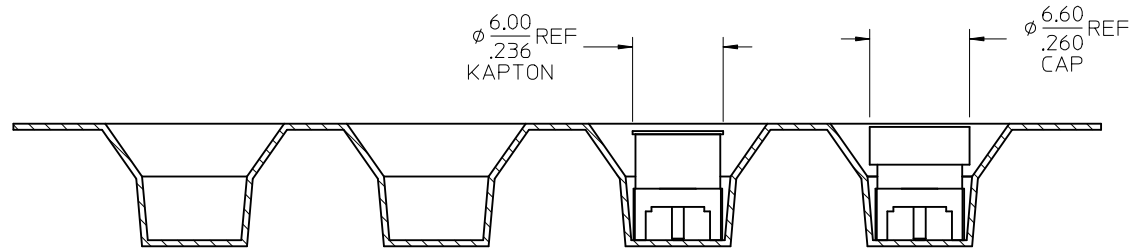
QUALITY SYMBOLS	GENERAL TOLERANCES (UNLESS SPECIFIED)
▽=0	mm INCH
▽=0	4 PLACES ± --- ± ---
▽=0	3 PLACES ± --- ± .010
▽=0	2 PLACES ± 0.25 ± ---
	1 PLACE ± --- ± ---
	0 PLACE ± --- ± ---
	ANGULAR ± 2 °
	DRAFT WHERE APPLICABLE MUST REMAIN WITHIN DIMENSIONS

DIMENSION STYLE	SCALE
MM/IN	DESIGN UNITS METRIC
DRAWN BY: AROBERTSON	DATE: 2011/05/27
CHECKED BY: SSS	DATE: 2011/05/27
APPROVED BY: JWIENER	DATE: 2011/06/10
MATERIAL NO. SEE TABLE	DOCUMENT NO. SD-73420-053

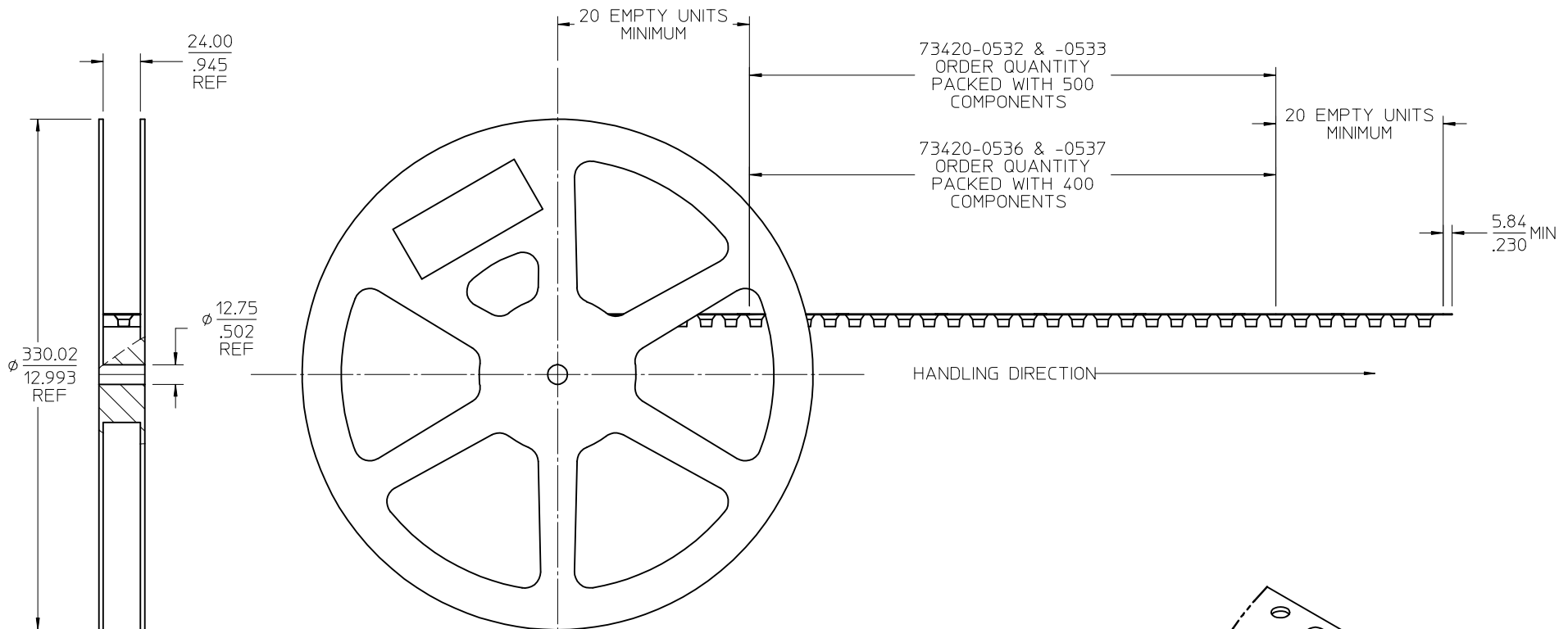
TITLE	THIRD ANGLE PROJECTION
SMP-MAX PLUG DETENT VERTICAL PCB TH SMPMAX-P/PCB, EWR-4718	THIRD ANGLE PROJECTION
molex	
SHEET NO. 1 OF 3	



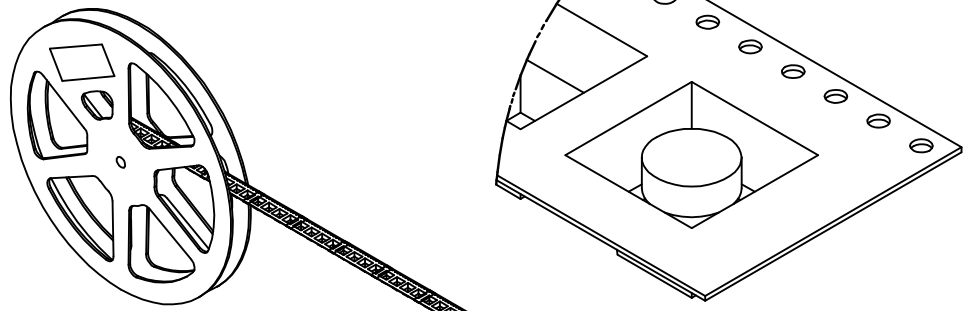
FOR -0532 & -0533
& -0536 & -0537



CHG: SEE SHEET 1 IEC NO: URF2017-0447 DRWN: APRAKASHO1 2017/06/16 CHKD: BBB 2017/06/16 APPR: AROBERTSON 2017/06/28	QUALITY SYMBOLS ▽=0 ▽=0 ▽=0	GENERAL TOLERANCES (UNLESS SPECIFIED)		DIMENSION STYLE MM/IN	SCALE DESIGN UNITS METRIC	THIRD ANGLE PROJECTION
		4 PLACES ± --- ± --- 3 PLACES ± --- ± .010 2 PLACES ± 0.25 ± --- 1 PLACE ± --- ± --- 0 PLACE ± --- ± ---	DRAWN BY AROBERTSON	DATE 2011/05/27	TITLE SMP-MAX PLUG DETENT VERTICAL PCB TH SMPMAX-P/PCB, EWR-4718	
		ANGULAR ± 2 °		CHECKED BY SSS	DATE 2011/05/27	molex
		DRAFT WHERE APPLICABLE MUST REMAIN WITHIN DIMENSIONS		APPROVED BY JWIENER	DATE 2011/06/10	
A5	REV	SEE SHEET 1	MATERIAL NO.	SHEET NO. 2 OF 3		



FOR -0532 & -0533
& -0536 & -0537



Detail 1
Scale 4:1

SEE Detail 1

CHG: SEE SHEET 1 EC NO: URF2017-0417 DRWN:APRAKASHO1 2017/06/16 CHKD:BBB 2017/06/16 APPR:AROBERTSON 2017/06/28 REV: A5	QUALITY SYMBOLS ▽=0 ▽=0 ▽=0	GENERAL TOLERANCES (UNLESS SPECIFIED) 4 PLACES ± --- INCH 3 PLACES ± --- ±.010 2 PLACES ± 0.25 ± --- 1 PLACE ± --- ± --- 0 PLACE ± --- ± --- ANGULAR ± 2 °	DIMENSION STYLE MM/IN DRAWN BY: AROBERTSON CHECKED BY: SSS APPROVED BY: JWIENER DATE: 2011/05/27 DATE: 2011/05/27 DATE: 2011/06/10	SCALE: TITLE: SMP-MAX PLUG DETENT VERTICAL PCB TH SMPMAX-P/PCB, EWR-4718 DESIGN UNITS: METRIC THIRD ANGLE PROJECTION	DOCUMENT NO.: SD-73420-053 SHEET NO.: 3 OF 3	
	DRAFT WHERE APPLICABLE MUST REMAIN WITHIN DIMENSIONS		MATERIAL NO.: SEE SHEET 1	THIS DRAWING CONTAINS INFORMATION THAT IS PROPRIETARY TO MOLEX INCORPORATED AND SHOULD NOT BE USED WITHOUT WRITTEN PERMISSION		
			SIZE: C			