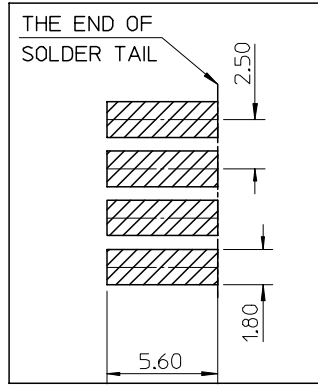
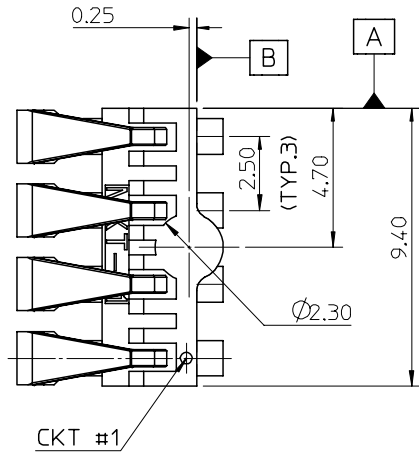
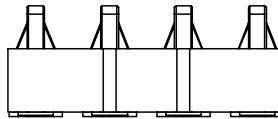
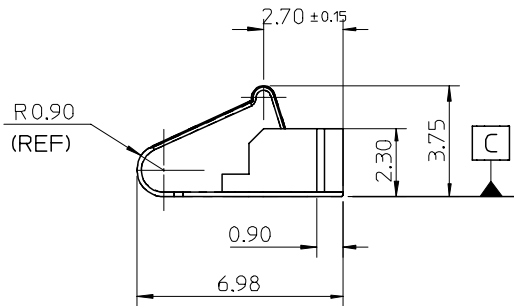
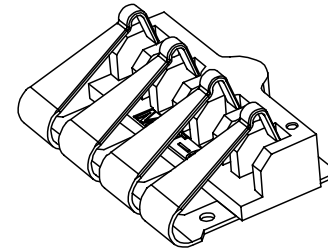


10 9 8 7 6 5 4 3 2 1

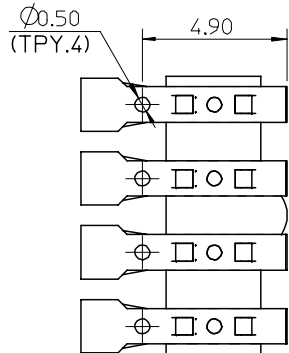


RECOMMEND PCB LAYOUT



NOTE:

- MATERIAL:
HOUSING: LCP, 30% GLASS-FILLED, UL 94V-0, COLOR IS BLOCK.
TERMINAL: 0.15MM PhBz CuSn8(C52100) OR CuSn5(C51000).
- FINISH:
CONTACT AREA: 30 micro inches Au MIN
over 100 micro inches Ni MIN.
SOLDER AREA: 150 micro inches PURE TIN MIN
over 100 micro inches Ni MIN.
REST AREA: 100 micro inches Ni MIN.
- COPLANARITY: 0.1 MAX AMONG THESE SOLDER TAILS.
- PRODUCT SPECIFICATION: PS 45257-001
- THE PART 45257-9003 COMPLIANT TO RoHS
DIRECTIVE 2002/95/EC AND ELV 2000/53/EC



DELETE NO RoHS P/N	2006/10/12
EC NO: SH2007-0205	2006/09/17
DRWN:HP/IAN	2006/09/17
CHKD:HARVEY	2006/09/17
APPR: JMCHEM	2006/09/28
REV	DESCRIPTION
D	

QUALITY SYMBOLS	▽=0
	▽C=0

GENERAL TOLERANCES (UNLESS SPECIFIED)	mm	INCH
	4 PLACES ± ---	± ---
	3 PLACES ± ---	± ---
	2 PLACES ± 0.10	± ---
	1 PLACE ± 0.10	± ---
	ANGULAR ± 1 °	
DRAFT WHERE APPLICABLE MUST REMAIN WITHIN DIMENSIONS		

DIMENSION STYLE MM ONLY	
DRAWN BY	DATE
TOMLU	9/25/2001
CHECKED BY	DATE
TOMLU	9/25/2001
APPROVED BY	DATE
MATERIAL NO. 452579003	

SCALE 1:1	DESIGN UNITS METRIC	THIRD ANGLE PROJECTION
TITLE ASSEMBLY TPSW01 BATTERY CONNECTOR FOR MOTOROLA		
MOLEX INCORPORATED		
DOCUMENT NO. SD-45257-004	SHEET NO. 1 OF 1	

9 8 7 6 5 4 3 2 1