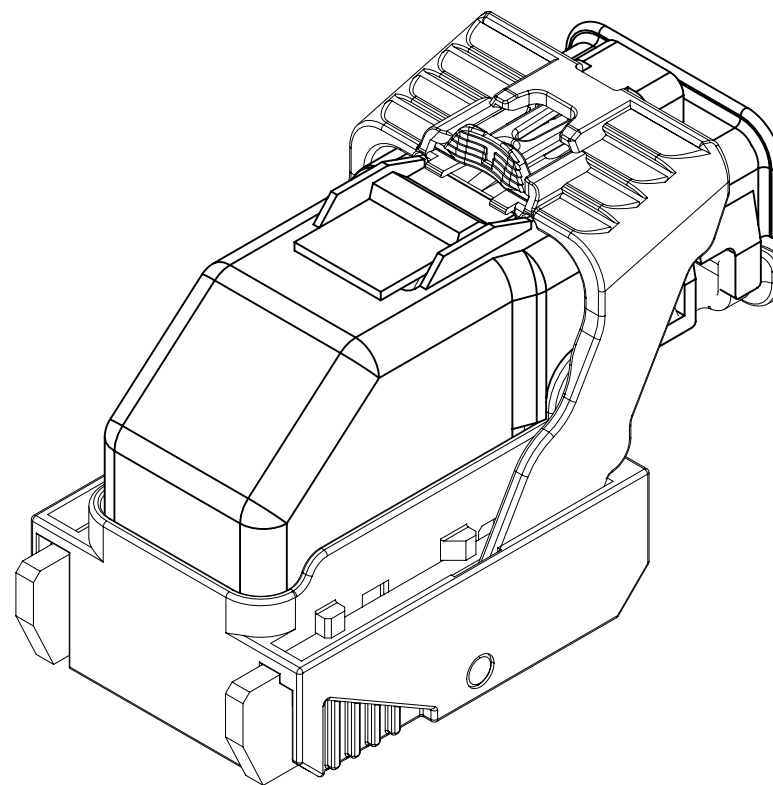

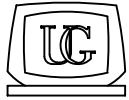


INDEX	
PAGE TITLE	PAGE
TITLE BLOCK	1
REVISION BLOCK	2
PART BLOCK	3
KPC BLOCK	4
COMPONENT TABLE	5
NOTES	6
NOTES	7
WIRE DRESS PACKAGING DIMENSIONS	8
LOCATION AND PACKAGING DIMENSIONS REFERENCING INTERFACE DATUMS B & C	9
LOCATION AND PACKAGING DIMENSIONS REFERENCING INTERFACE DATUM A	10
KEY ID REF - WIRE DRESS OPTION 0	11
KEY ID REF - WIRE DRESS OPTION 9	12
CIRCUIT CONFIGURATIONS	13
CIRCUIT CONFIGURATIONS	14
COMPONENT CONNECTOR INTERFACE	15
COMPONENT CONNECTOR INTERFACE	16
COMPONENT CONNECTOR INTERFACE	17
COMPONENT CONNECTOR INTERFACE	18
COMPONENT CONNECTOR INTERFACE	19
COMPONENT CONNECTOR INTERFACE	20
COMPONENT CONNECTOR INTERFACE	21
COMPONENT CONNECTOR INTERFACE	22




ISO VIEW

	THIS DOCUMENT IS IN ACCORDANCE WITH ASME Y14.5M-1994 AS AMENDED BY THE GM GLOBAL DIMENSIONING AND TOLERANCING ADDENDUM - 2004.			DATE		
	 CHANGE RESTRICTED NO MANUAL CHANGES	REFERENCE 12H (MOLEX AUTOMOTIVE)	DRAFTER	D. KOEHLER	28AP15	
APVD1			M.R. OOSTERINK	29AP15		
APVD2			J. SWARTZ	29AP15		
APVD3			G. FLECK	08MY15		
APVD4						
DO NOT SCALE		APVD5				
METRIC DIMENSIONS SHOWN IN MILLIMETERS UNLESS OTHERWISE SPECIFIED	DRAWING NAME					
	HARNESS CONN ASM-SEALED 18/49/56 CKTS, MX123					
	DRAWING NUMBER	DWG STATUS			PAGE NUMBER	
		12642694	ST	REV		PD1
			R	001		
				1 of 22		

PAGE	DWG STATUS					REVISION HISTORY	AUTH	DR	CK	ENG
	DATE	ST	REV	CHG	PDI					

PAGE	DWG STATUS					REVISION HISTORY	AUTH	DR	CK	ENG
	DATE	ST	REV	CHG	PDI					
	08MY15	R	001			RELEASED TO PRODUCTION AT DLS A	CRMRJD	DFK	MRO	GF

	PAGE TITLE	DRAWING NUMBER	DWG STATUS			PAGE NUMBER		
	REVISION BLOCK			12642694	ST		REV	PDI
				R	001			2 of 22

KEY PRODUCT CHARACTERISTICS
(IN ACCORDANCE WITH QN 1805 OR ON 1050)



SAFETY/COMPLIANCE

TOTAL ON
DRAWING

5



FIT/FUNCTION

LAST NO.
USED

5

NO	TYPE	DESCRIPTION	RATIONALE	PAGE/ZONE
1	F/F	32.68	IMPROVE CONNECTOR SYSTEM MATING	16
2	F/F	29.00	INSURE PROPER RELEASE OF LEVER	16
3	F/F	15.25	INSURE FINAL MATE POSITION	17
5	F/F	POSITIONAL TOLERANCE (2 PLACES)	INSURE CONNECTOR SYSTEM MATIBILITY	20



PAGE TITLE
KPC BLOCK

DRAWING NUMBER

12642694

DWG STATUS

ST	REV	PD1
----	-----	-----


R	001	
---	-----	--

PAGE NUMBER

4 OF 22

P. No	MFG.	MFG. P/N	GM P/N	Effective Date	APPLICABLE COMPONENTS	Key Option	Wire Dress Option	Key Config.	Color	Status
					DESCRIPTION					
1	Molex	34575-0003	12582679	02JN03	WIRE HARNESS COVER	N/A	NA	N/A	BLACK	AVAILABLE
2	Molex	34576-0103	12666118	31JL15	HARN CONN ASM 49 CKT	A	0	1458	BLACK	ACTIVE
3	Molex	34576-0203	12650786	T.B.D.	HARN CONN ASM 49 CKT	B	0	1468	ST GRAY	NOT ACTIVE
4	Molex	34576-0303	12666120	31JL15	HARN CONN ASM 49 CKT	C	0	2467	BLUE	ACTIVE
5	Molex	34576-0403	12615660	T.B.D.	HARN CONN ASM 49 CKT	D	0	2367	BROWN	NOT ACTIVE
6	Molex	34576-0503	12615661	T.B.D.	HARN CONN ASM 49 CKT	E	0	2468	GREEN	NOT ACTIVE
7	Molex	34576-0603	12615662	T.B.D.	HARN CONN ASM 49 CKT	F	0	1357	NATURAL	NOT ACTIVE
8	Molex	34576-0703	12582680	11JN04	HARN CONN ASM 56 CKT	G	0	1358	BLUE	AVAILABLE
9	Molex	34576-0803	12582681	11JN04	HARN CONN ASM 56 CKT	H	0	2458	ST GRAY	AVAILABLE
10	Molex	34576-0903	12615658	T.B.D.	HARN CONN ASM 56 CKT	J	0	2457	BLACK	NOT ACTIVE
11	Molex	34576-1003	AVA77166	T.B.D.	HARN CONN ASM 56 CKT	K	0	2357	BROWN	NOT ACTIVE
12	Molex	34576-1103	AVA77167	T.B.D.	HARN CONN ASM 56 CKT	L	0	2368	GREEN	NOT ACTIVE
13	Molex	34576-1203	AVA77168	T.B.D.	HARN CONN ASM 56 CKT	M	0	2358	NATURAL	NOT ACTIVE
14	Molex	34576-1303	12666119	31JL15	HARN CONN ASM 49 CKT	A	9	1458	BLACK	ACTIVE
15	Molex	34576-1403	12650787	T.B.D.	HARN CONN ASM 49 CKT	B	9	1468	ST GRAY	NOT ACTIVE
16	Molex	34576-1503	12666121	31JL15	HARN CONN ASM 49 CKT	C	9	2467	BLUE	ACTIVE
17	Molex	34576-1603	12615663	T.B.D.	HARN CONN ASM 49 CKT	D	9	2367	BROWN	NOT ACTIVE
18	Molex	34576-1703	12615664	T.B.D.	HARN CONN ASM 49 CKT	E	9	2468	GREEN	NOT ACTIVE
19	Molex	34576-1803	12615665	T.B.D.	HARN CONN ASM 49 CKT	F	9	1357	NATURAL	NOT ACTIVE
20	Molex	34576-1903	12603600	11JN04	HARN CONN ASM 56 CKT	G	9	1358	BLUE	AVAILABLE
21	Molex	34576-2003	12603601	T.B.D.	HARN CONN ASM 56 CKT	H	9	2458	ST GRAY	NOT ACTIVE
22	Molex	34576-2103	12615659	T.B.D.	HARN CONN ASM 56 CKT	J	9	2457	BLACK	NOT ACTIVE
23	Molex	34576-2203	AVA77192	T.B.D.	HARN CONN ASM 56 CKT	K	9	2357	BROWN	NOT ACTIVE
24	Molex	34576-2303	AVA77193	T.B.D.	HARN CONN ASM 56 CKT	L	9	2368	GREEN	NOT ACTIVE
25	Molex	34576-2403	AVA77143	T.B.D.	HARN CONN ASM 56 CKT	M	9	2358	NATURAL	NOT ACTIVE
26	Molex	34851-0007	12644156	31AU15	HARN CONN ASM 18 CKT	G	0	1358	BLUE	ACTIVE
27	Molex	34851-0008	12644158	31AU15	HARN CONN ASM 18 CKT	H	0	2458	ST GRAY	ACTIVE
28	Molex	34851-0019	12644157	31AU15	HARN CONN ASM 18 CKT	G	9	1358	BLUE	ACTIVE
29	Molex	34851-0020	12644159	31AU15	HARN CONN ASM 18 CKT	H	9	2458	ST GRAY	ACTIVE
30	Molex	34736-2002	12642697	01AU10	MX64 RCPT TERM Ag 18/20 GAGE B (RIGHT PAYOFF)	N/A	N/A	N/A	N/A	AVAILABLE
31	Molex	34736-2001	12642696	01AU10	MX64 RCPT TERM Ag 22 GAGE B (RIGHT PAYOFF)	N/A	N/A	N/A	N/A	AVAILABLE
32	Molex	34586-0001	T.B.D.	11JN04	MX123 0.64MM GROMMET PLUG	N/A	N/A	N/A	NATURAL	AVAILABLE
33	Yazaki	7116-4150-02	12588066	02JN03	2.8mm YESC SEALED FEMALE TERMINAL TIN 20/22 GAGE (CABLE RANGE 0.30mm-0.60mm)	N/A	N/A	N/A	N/A	NOT ACTIVE
34	Yazaki	7116-4151-02	12588067	02JN03	2.8mm YESC SEALED FEMALE TERMINAL TIN 16/18 GAGE (CABLE RANGE 0.75mm-1.40mm)	N/A	N/A	N/A	N/A	NOT ACTIVE
35	Yazaki	7116-4152-02	12582685	02JN03	2.8mm YESC SEALED FEMALE TERMINAL TIN 14 GAGE (CABLE RANGE 1.50mm-2.50mm)	N/A	N/A	N/A	N/A	AVAILABLE
36	Yazaki	7158-3111-60	12588068	02JN03	2.8mm CABLE SEAL (wire O.D. range 1.20mm-1.90mm)	N/A	N/A	N/A	GREEN	NOT ACTIVE
37	Yazaki	7158-3112-70	12588069	02JN03	2.8mm CABLE SEAL (wire O.D. range 1.80mm-2.30mm)	N/A	N/A	N/A	YELLOW	NOT ACTIVE
38	Yazaki	7158-3113-40	12582686	02JN03	2.8mm CABLE SEAL (wire O.D. range 2.18mm-3.00mm)	N/A	N/A	N/A	WHITE	AVAILABLE
39	Yazaki	7158-3114-90	T.B.D.	02JN03	2.8mm YESC CAVITY PLUG	N/A	N/A	N/A	BLUE	AVAILABLE
40	FCI	33140138	12646399	10JA14	6.35mm APEX RCPT TERM Sn/Ag GRIP CODE-10 (6mm2) - Greased	N/A	N/A	N/A	N/A	AVAILABLE
41	FCI	33140135	12654556	10JA14	6.35mm APEX RCPT TERM Sn/Ag GRIP CODE-TBD (1mm2) - Greased	N/A	N/A	N/A	N/A	AVAILABLE
42	QSR	A-0549C	12646688	01SE14	6.35mm CABLE SEAL (FOR 6.0mm2 WIRE SIZE - 3.6 TO 4.2mm INSULATION OD)	N/A	N/A	N/A	WHITE	AVAILABLE
43	QSR	A-0549B	12654557	01SE14	6.35mm CABLE SEAL (FOR 0.75-1.25mm2 WIRE SIZE - 1.8 TO 2.3mm INSULATION OD)	N/A	N/A	N/A	BLUE	AVAILABLE
44	Molex	63811-4200	XX019825	02JN03	MX64 TERM HAND CRIMP TOOL	N/A	N/A	N/A	N/A	AVAILABLE
45	Molex	63813-1400	XX019826	02JN03	MX64 TERM SERVICE TOOL	N/A	N/A	N/A	N/A	AVAILABLE
46	Molex	63865-8000	XX019827	02JN03	MX64 CRIMP APPLICATOR with TOOL KIT 18/20 GAGE PAYOFF DIRECTION D (left payoff) (contact Molex for payoff detail)	N/A	N/A	N/A	N/A	AVAILABLE
47	Molex	63865-8070	XX019828	02JN03	MX64 APPLICATOR TOOL KIT 18/20 GAGE	N/A	N/A	N/A	N/A	AVAILABLE
48	Molex	63865-8100	XX019829	02JN03	MX64 CRIMP APPLICATOR with TOOL KIT 22 GAGE PAYOFF DIRECTION D (left payoff) (contact Molex for payoff detail)	N/A	N/A	N/A	N/A	AVAILABLE
49	Molex	63865-8170	XX019830	02JN03	MX64 APPLICATOR TOOL KIT 22 GAGE	N/A	N/A	N/A	N/A	AVAILABLE
50	SPX	J35616-64	T.B.D.	02JN03	0.64mm PROBE TOOL (for rcpt)	N/A	N/A	N/A	N/A	AVAILABLE
51	SPX	J35616-64A	T.B.D.	02JN03	0.64mm PROBE TOOL WITH EXT (for rcpt)	N/A	N/A	N/A	N/A	AVAILABLE
52	SPX	J35616-65	T.B.D.	02JN03	0.64mm PROBE TOOL WITH EXT (for pin)	N/A	N/A	N/A	N/A	AVAILABLE
53	SPX	J35616-4A	T.B.D.	02JN03	2.8mm PROBE TOOL (for rcpt)	N/A	N/A	N/A	N/A	AVAILABLE
54	YAZAKI	X39899-J374	12094430	02JN03	2.8mm TERM SERVICE TOOL	N/A	N/A	N/A	N/A	AVAILABLE
55	TQI	7000-1001	N/A	01FE15	18CKT PASS THROUGH ADAPTERS	N/A	N/A	N/A	BLACK	AVAILABLE
56	TQI	7000-1004	N/A	01FE15	49CKT PASS THROUGH ADAPTERS	N/A	N/A	N/A	BLACK	AVAILABLE
57	TQI	79917-0060	N/A	02JA08	56CKT PASS THROUGH ADAPTERS	N/A	N/A	N/A	BLACK	AVAILABLE
58	Molex	63813-1500	J-38125-217	01SE14	6.35mm APEX TERM SERVICE TOOL	N/A	N/A	N/A	N/A	AVAILABLE

* MX123 WIRE HARNESS COVER MATES TO ANY 18/49/56 CKT MX123 HARN CONN ASSY SHOWN ON THIS TABLE

	PAGE TITLE	DRAWING NUMBER	DWG STATUS			PAGE NUMBER
	COMPONENT TABLE	12642694	ST	REV	PDI	5 of 22
			R	001		

NOTES: UNLESS OTHERWISE SPECIFIED

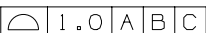
1. MATERIAL FOR INTERFACE:

- A. RESIN:
 - 1. 30% G.F. PBT; 20% MAX. (BY WEIGHT) REGRIND.
 - 2. MATING CONNECTOR INTERFACE PART COLOR MUST BE SAME AS MATCHING KEYED HARNESS CONNECTOR ASSEMBLY.
 - 3. MUST BE VALIDATED FOR INDIVIDUAL DEVICE APPLICATION REQUIREMENTS.
- B. 0.64MM PINS:
 - 1. BASE MATERIAL: COPPER ALLOY; CONDUCTIVITY >= 28% IACS AT 20°C; TENSILE STRENGTH >= 635 N/mm²; SURFACE ROUGHNESS R_a 6 MAX.
 - 2. PLATING FINISH: SILVER (Ag). PLATING TO BE 1.9-3.3 μm ELECTRODEPOSITED SEMI-BRIGHT SILVER OVER 1.25-2.25 μm DUCTILE SULPHAMATE NICKEL PER NOTE 1(D).
 - 3. ANTI-TARNISH: SYNTHETIC HYDROCARBON CONTACT SURFACE FINISH OR EQUIVALENT APPLIED WITHOUT VOID TO CONTACT AREA (MIN 3.7mm FROM PIN TIP).
- C. 2.8MM BLADE:
 - 1. BASE MATERIAL: COPPER ALLOY; CONDUCTIVITY >= 28% IACS AT 20°C; TENSILE STRENGTH >= 350 N/mm²; SURFACE ROUGHNESS R_a 6 MAX.
 - 2. PLATING FINISH: TIN. PLATING TO BE 2.5-5.0 μm ELECTRODEPOSITED TIN, MATTE FINISH OVER 1.25-2.5μm DUCTILE SULPHAMATE NICKEL PER NOTE 1(D).
- D. 6.3MM BLADE:
 - 1. BASE MATERIAL: COPPER ALLOY; CONDUCTIVITY >= 50% IACS AT 20°C;
 - 2. PLATING FINISH: SILVER (Ag) PLATING TO BE 1.9-3.3 μm ELECTRODEPOSITED SEMI-BRIGHT SILVER, OVER 1.25-2.5μm DUCTILE SULPHAMATE NICKEL PER NOTE 1(D) WITH ENVIRONMENTAL BARRIER OR TIN/SILVER (ELECTRO-DEPOSITED), UNDERPLATE 0.5-2.0 μm NICKEL OR COPPER. TOP PLATING: 1.0-3.0 μm (SILVER RANGE 3.75-X.XX NO ANTI-TARNISH COATING REQUIRED).

E. PLATING REQUIREMENTS:


- 1. SILVER PLATING
 - a. 99.5% PURE SEMI-BRIGHT WITH NO ORGANIC BRIGHTNERS OR CHROMATES.
- 2. NICKEL PLATING
 - a. ELECTRODEPOSITED DUCTILE SULFAMATE NICKEL WITH A NON-BRIGHTENED FINISH. NO ORGANIC OR BRIGHTENING AGENTS SHALL BE ALLOWED.
 - b. SHALL ONLY BE USED AS AN UNDERLYING PLATING AND MAY NOT BE USED AS AN ELECTRICAL CONTACT SURFACE PLATING.
 - c. SHALL BE NODULE FREE WHEN VIEWED AT 10X MAGNIFICATION IN MEASURED IN CONTACT SURFACE AREA PLUS 0.5MM PERIMETER AROUND THE CONTACT SURFACE AREA.
 - d. ALL PLATINGS SHALL HAVE A 1.0% MAXIMUM BY WEIGHT IMPURITIES. IMPURITIES ARE DEFINED AS ALL ELEMENTS NOT THE PRIMARY PLATING OR HARDENING AGENT IF APPLICABLE, AS DETERMINED BY WET CHEMICAL ANALYSIS OR AUGER METHOD. NO SINGLE IMPURITY SHALL EXCEED 0.1% MAXIMUM BY WEIGHT.
- 3. TESTING
 - a. THICKNESS TO BE MEASURED IN CONTACT SURFACE AREA PLUS 0.5MM PERIMETER AROUND THE CONTACT SURFACE AREA AS DESIGNATED IN THE DRAWING. THICKNESS SHALL BE DETERMINED BY METHOD OF X-RAY (XRF).
 - b. PLATING ADHESION SHALL BE TESTED BY A BEND TEST FOR ALL METALS. THE TEST SAMPLE SHALL BE BENT 90 DEGREES TO DETERMINE DEPOSIT ADHESION. TESTING SHALL BE COMPLETED IN ACCORDANCE WITH ASTM SPEC B571.

2. DESIGN - GENERAL:

- A. THIS IS A 100% CAD GENERATED PART. THE CAD MATHEMATICAL DATA IS THE MASTER FOR THIS PART. WHERE DIMENSIONS ARE SPECIFIED ON THE DRAWING, THE DRAWING IS THE AUTHORITY FOR DIMENSIONAL VALUES. FOR DIMENSIONAL OR ANY INFORMATION NOT SHOWN ON THIS DRAWING, ANALYZE THE CAD MODEL.
- B. DIMENSIONS OBTAINED FROM THE DIGITAL MODEL ARE BASIC:
 - 1. FOR RELATIONSHIPS BETWEEN FEATURES WHEN ESTABLISHED BY GEOMETRIC TOLERANCES.
 - 2. FOR THE FORM OF A FEATURE WHEN CONTROLLED BY A PROFILE TOLERANCE.
 - 3. FOR THE SIZE, FORM AND/OR RELATIONSHIP BETWEEN FIXED DATUM TARGETS.
- C. DIMENSIONS OBTAINED FROM THE DIGITAL MODEL ARE ROUNDED TO TWO DECIMAL PLACES (PER IEEE/ASTM SI 10-2002)
- D. VIEWS AND SECTIONS ON THIS DRAWING ARE IN ACCORDANCE WITH GM DCS SECTION C3.
- E. THE DIGITAL MODEL MUST CORRESPOND TO THE RELEASE LEVEL SHOWN IN THE PART BLOCK ON THIS DOCUMENT.
- F. TOLERANCES:
 - 1. LINEAR
 - 0.X ± 0.30
 - 0.XX ± 0.10
 - 0.XXX ± 0.10
 - 2. ANGULAR X° ± 3°
 - 3.  1.0 A B C
- G. MINIMUM WALL THICKNESS REQUIRED: 1.3mm.
- H. CORNERS SHOWN AS SHARP TO BE R 0.2 MAX.
- J. LETTERING SHALL BE 0.15 MAX RAISED IN 0.20 MAX RECESS PAD. THIS INCLUDES MATERIAL CODE, RECYCLING CODE, CAVITY ID AND DATE CODE.
- K-1. PARTS MUST BE FREE OF DISCOLORATION, SALT RESIDUE AND OTHER IMPERFECTIONS THAT AFFECT FIT OR FUNCTION.
- K-2. SCRATCHES OR DENTS NOT TO EXCEED 0.013mm IN DEPTH.
- L. FOLLOWING PRODUCTION CODES TO BE PERMANENTLY MARKED & HUMAN READABLE TO A LETTER HEIGHT OF 1.5 ± 0.5MM X 0.3 MAX DEEP
 - 1. MATERIAL #: XXXXX-XXXX
 - 2. DATE CODE: JJYY (JULIAN DAY, LAST DIGIT OF YEAR)
 - 3. INSPECTION MACHINE CODE + SERIAL #: X_XXXXX

3. DESIGN - MANUFACTURING:

- A. DRAFT TO BE WITHIN TOLERANCE.
- B. ALLOWABLE FLASH MAX 0.2 HIGH X MAX 0.13 THICK.
- C. ALLOWABLE PARTING LINE MISMATCH 0.2 MAX.
- D. EJECTOR PINS MARK TO BE FLUSH TO 0.25 MAX DEPRESSED.
- E. ALLOWABLE GATE VESTIGE FLUSH TO 0.25 MAX PROTRUSION.
- F. NO EXTERNAL MOLD RELEASE AGENT ALLOWED DURING MANUFACTURING.
- G. STEEL THAT FORMS THE INDICATED SURFACE MUST BE POLISHED WITH A DIAMOND FINISH (SPI A-2) OVER THE FULL PERIPHERY OF THE TOOL. SURFACE MUST HAVE NO MISMATCH.
- H. ANY PROCESS LUBRICANT REMAINING ON THE TERMINAL MUST NOT VARNISH OR DEGRADE IT'S ELECTRICAL PERFORMANCE UP TO A MAXIMUM CLASS AMBIENT TEMPERATURE PER SAE USCAR-2 FOR 1008 HOURS. PROCESS LUBRICANTS SHOULD BE APPROVED BY THE RESPONSIBLE ENGINEER.
- J. OPTIONAL FEATURES PROVIDED FOR AUTOMATION.
- K. PART MUST BE FREE FROM BURRS AND SHARP EDGES, WHICH MIGHT BE DETRIMENTAL TO SATISFACTORY ASSEMBLY, SAFE HANDLING OR FUNCTION OF PART.
- L. PARTS AS DELIVERED TO ASSEMBLY SHALL BE CLEAN AND FREE OF DEBRIS, RESIDUAL ABRASIVE MATERIAL AND CORROSION PRODUCTS ADVERESLY AFFECTING FUNCTION OR APPEARANCE.
- M. RESTRICTED AND REPORTABLE SUBSTANCES FOR PARTS PER GMW3059.

	PAGE TITLE	DRAWING NUMBER	DWG STATUS			PAGE NUMBER	
	NOTES		12642694	ST	REV		PDI
				R	001		

NOTES: UNLESS OTHERWISE SPECIFIED

4. SYSTEM REQUIREMENTS:

- A. HARNESS CONNECTOR IS COMPATIBLE WITH THE FOLLOWING WIRE SIZE NO'S:
 - SAE 14AWG, MEETING SAE J1128
 - SAE 18AWG, MEETING SAE J1128, MAX O.D. OF 2.06 MM
 - SAE 20AWG, MEETING SAE J1128
 - SAE 22AWG, MEETING SAE J1128, MIN O.D. OF 1.47 MM
 - ISO 6mm², FLR2X-A/T-125 PER GM 15626 (FEB 2008)
- B. CABLE TIE SPECIFICATIONS:
 - 1. CABLE TIE:
 - TENSILE RATING: 220N / (50lbs) MIN
 - TIE LENGTH: 186mm MIN
 - TIE WIDTH: 4.75mm MAX
 - MATERIAL: NYLON
 - 2. INSTALLATION:
 - CABLE TIE TENSION: 190N MIN
 - 3. DRESSED WIRE BUNDLE PACKAGING: SEE FIG. 1
- C. WHEN MATED WITH COMPONENT CONNECTOR INTERFACE AND/OR DRESS COVER, HARNESS CONNECTOR SYSTEM CONFORMS TO THE FOLLOWING:
 - 1. SAE/USCAR-2, REV: 3 APRIL, 2001; CLASS 3
 - 2. FIELD CORRELATED LIFE TEST, SAE/USCAR-20, NOV. 2001
 - 3. GMW #3191 AUGUST 22, 2000 (DRAFT); TEMPERATURE CLASS 3 (145°C), SEALING CLASS 1 (HIGH PRESSURE SPRAY), VIBRATION CLASS 2 (ON BODY)
 - 4. TPA USER FORCES (FULLY POPULATED WITH TERMINALS)
 - a. REMOVAL FROM LOCK TO PRE-SET: <=120N
- D. WIRE SPECIFICATIONS:
 - 1. WIRE SURFACE MUST BE FREE OF SCRATCHES, GROOVES OR DENTS WHERE FUNCTIONAL

5. TERMINAL CURRENT RATINGS:

ALL TESTING DONE IN ACCORDANCE WITH USCAR-2 REV5 SECTION 5.3

- A. MX64 RCPT TERM
 - 1. MX64 RCPT TERM Ag 18/20 GAGE CRIMPED TO SAE WIRE SIZE NO.18 AND MATED TO MX123 0.64MM PIN: 11.3 AMPS
 - 2. MX64 RCPT TERM Ag 22 GAGE CRIMPED TO SAE WIRE SIZE NO.22 AND MATED TO MX123 0.64MM PIN:8.5 AMPS

WIRE	CURRENT RATING			
	23 deg.C	85 deg.C	105 deg.C	125 deg.C
18AWG	11.3A	11.3A	9.5A	6.6A
20AWG	10.0A	10.0A	8.3A	5.7A
22AWG	8.6A	8.6A	7.1A	5.0A

- B. 2.8MM RCPT TERM
 - 1. 2.8MM RCPT TERM TIN 14 GAGE CRIMPED TO SAE WIRE SIZE NO.14 AND MATED TO MX123 2.8MM BLADE: 25.6 AMPS
 - C. 6.3MM RCPT TERM - FCI APEX
 - 1. 6.3MM RCPT TERM TIN/SILVER CRIMPED TO 6.0MM² WIRE AND MATED TO MOLEX 6.3MM² BLADE (Sn/Ag PLATED):36A AT 125°C
6. CONTACT MOLEX AUTOMOTIVE FOR AVAILABLE CUSTOM PATTERNS OF CAVITIES OPEN FOR CIRCUITS

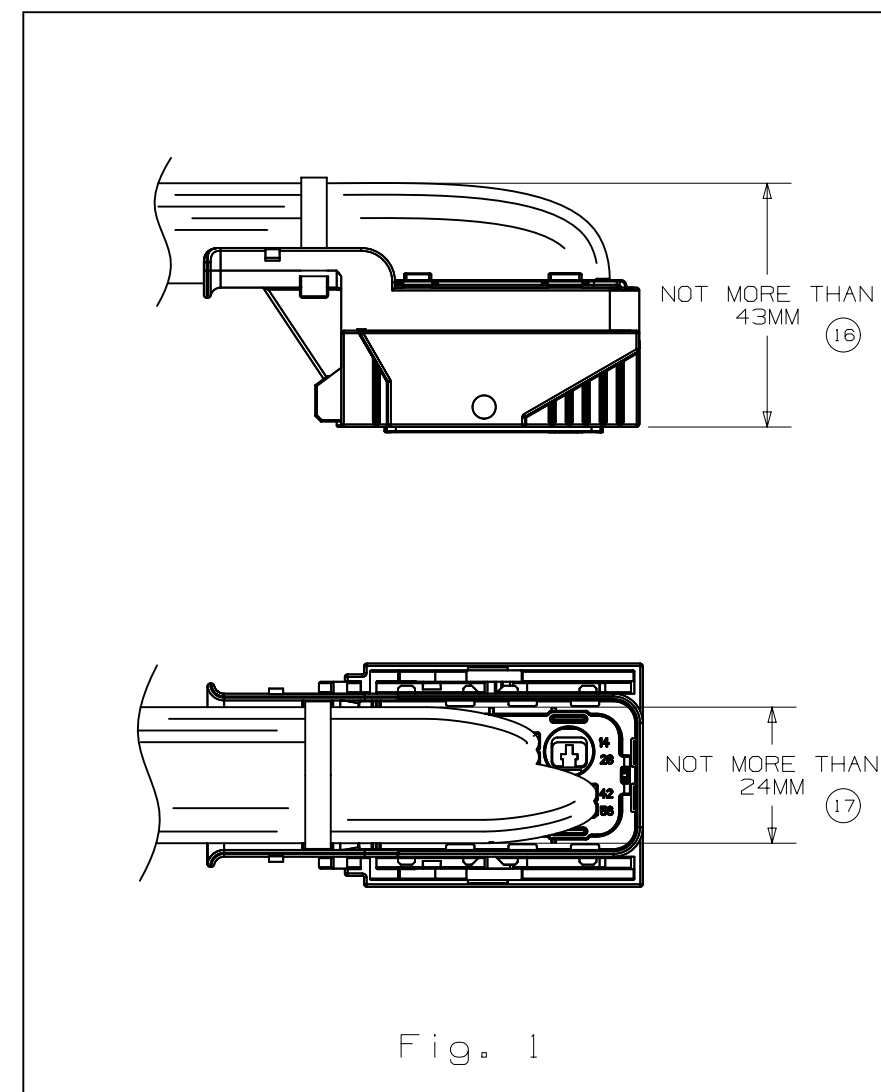
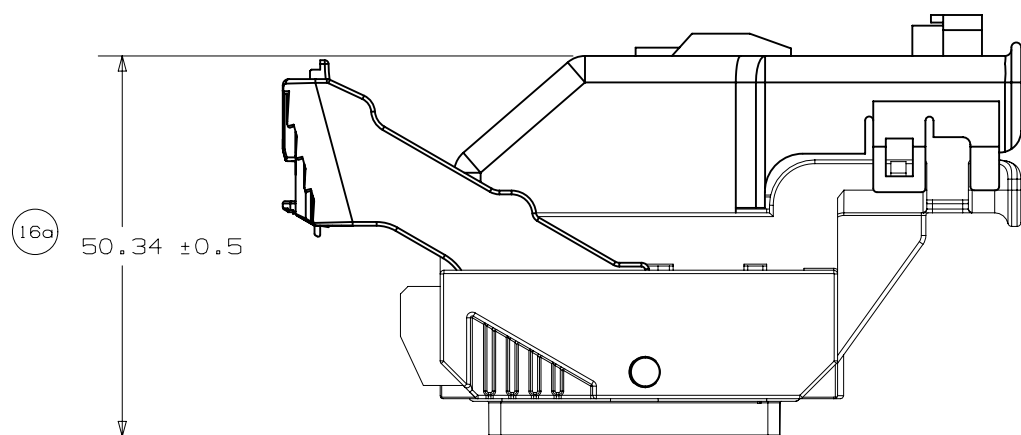


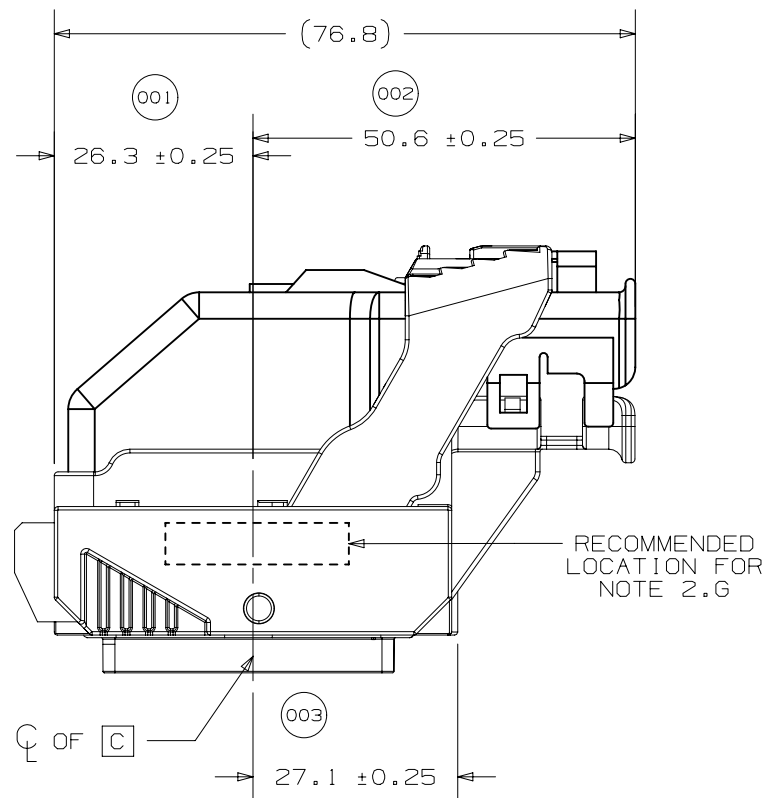
PAGE TITLE
NOTES

DRAWING NUMBER
12642694

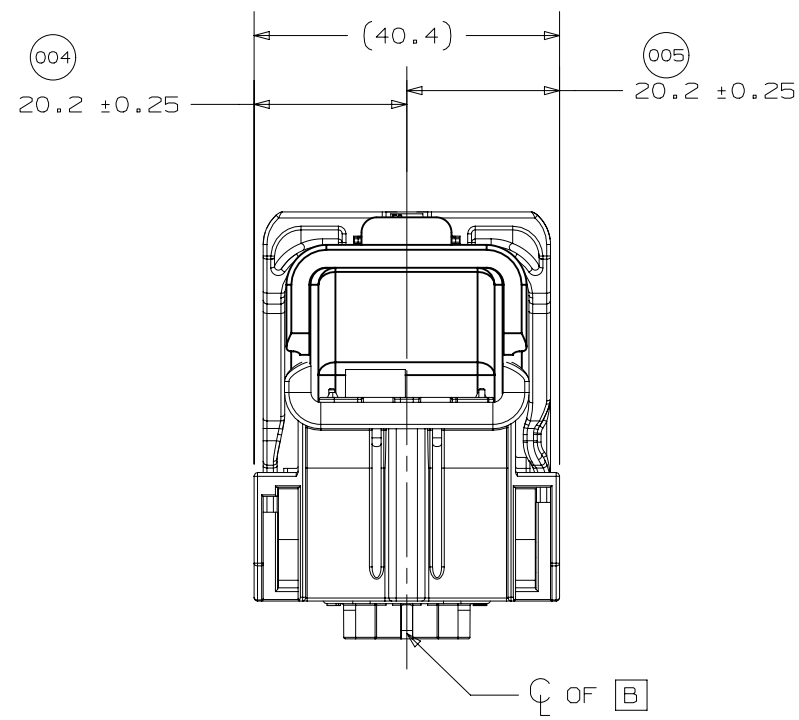
DWG STATUS		
ST	REV	PDI
R	001	

PAGE NUMBER
7 of 22

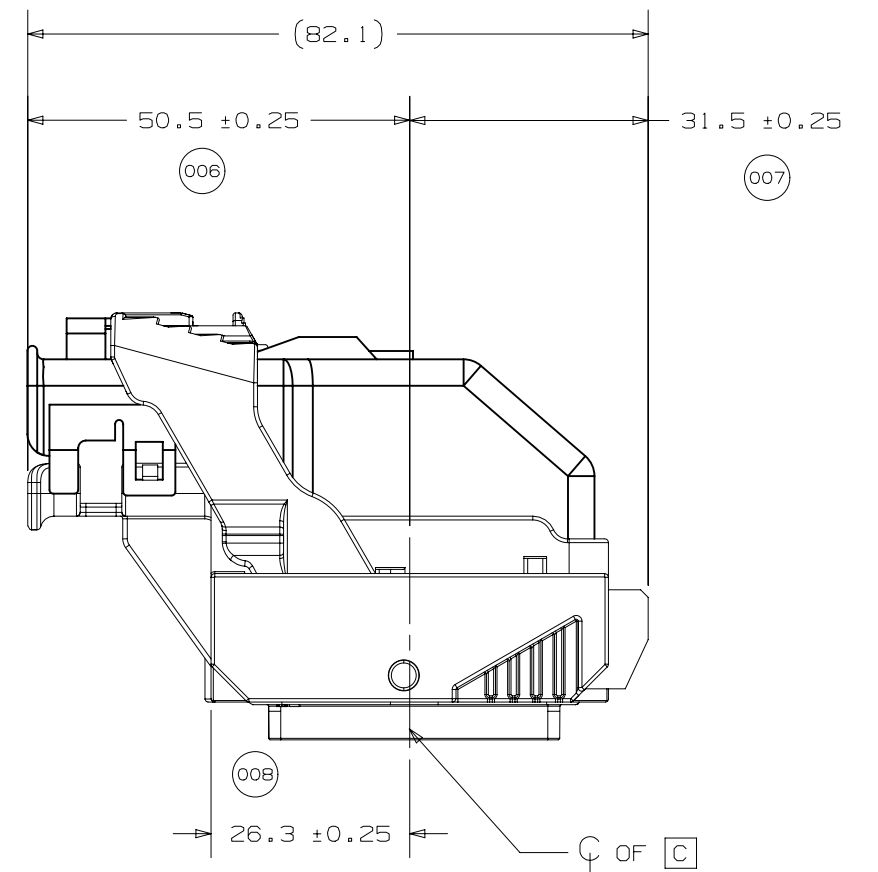




WIRE DRESS OPTION 0 SHOWN

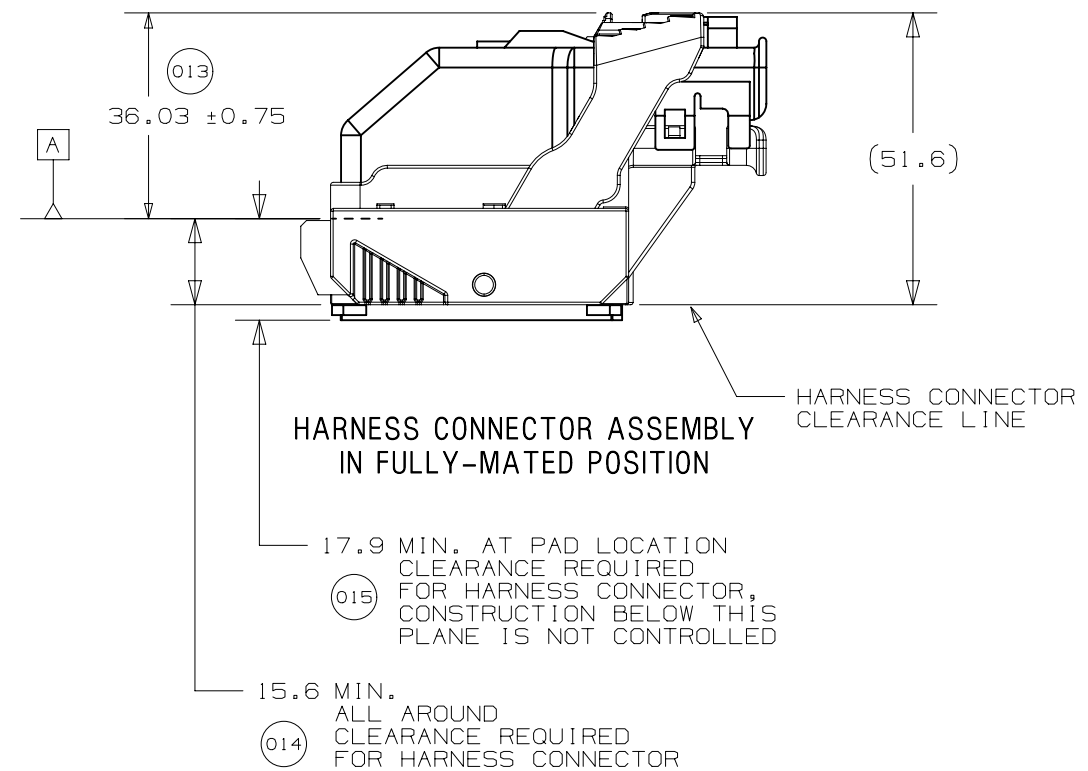
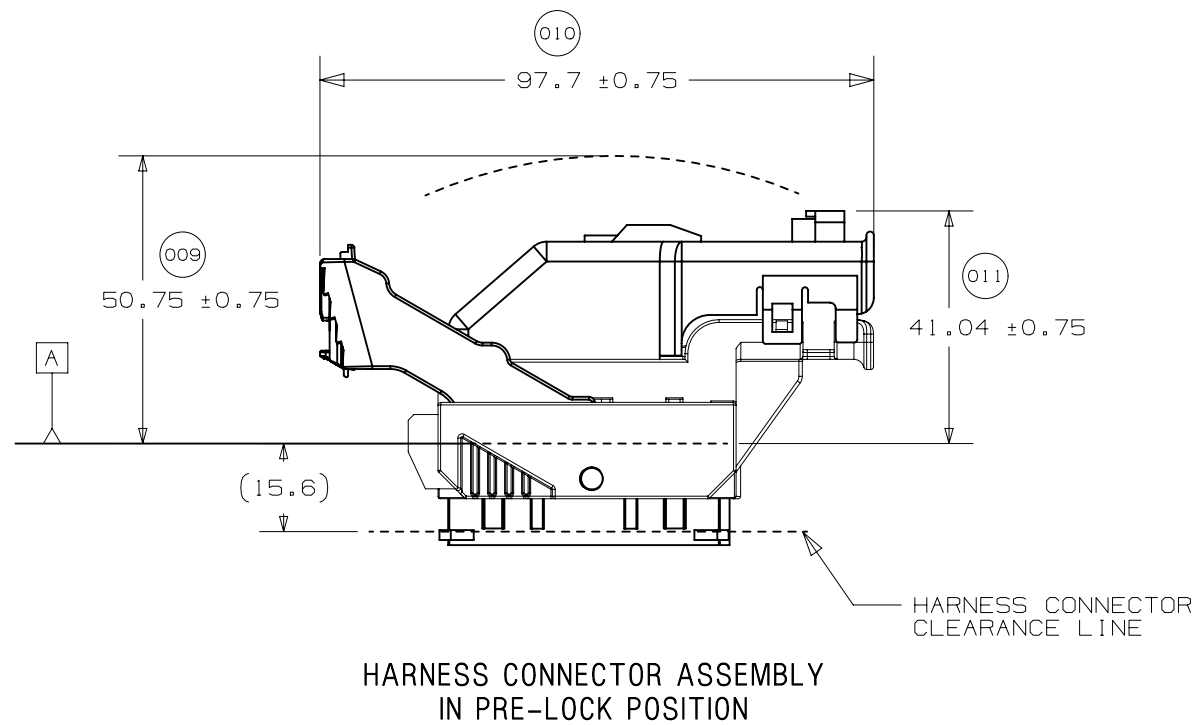
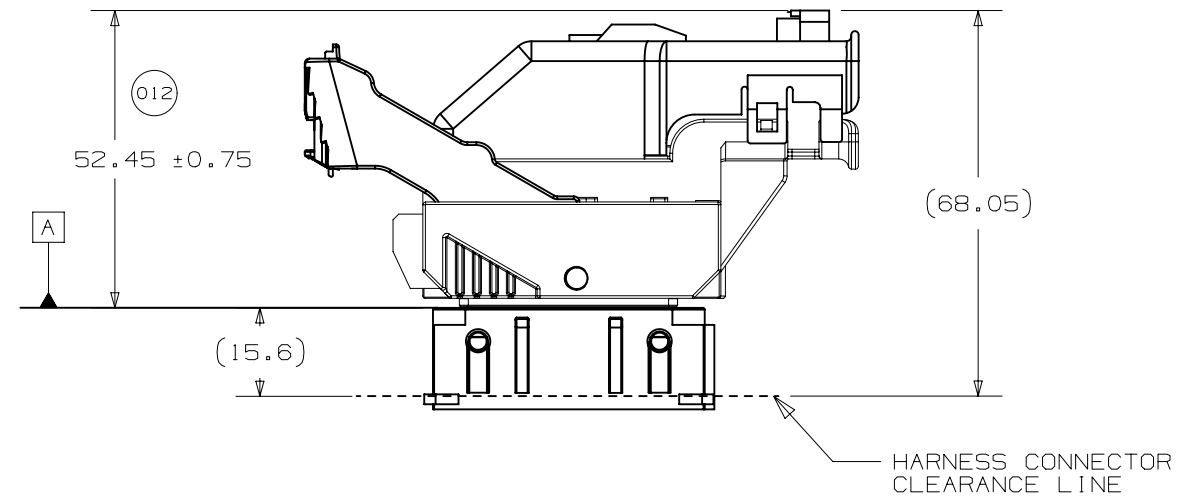


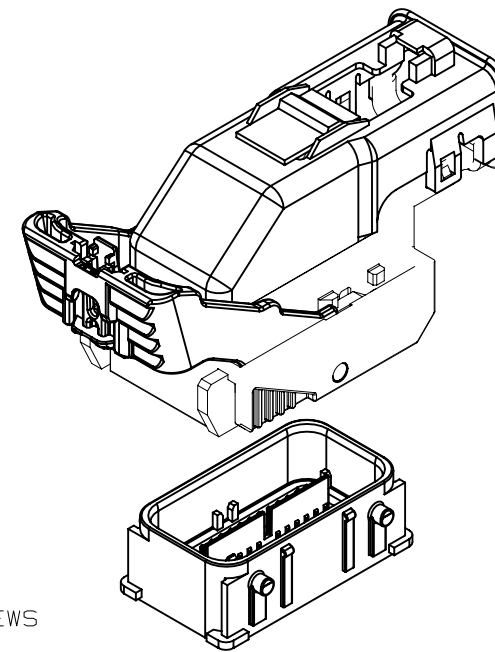
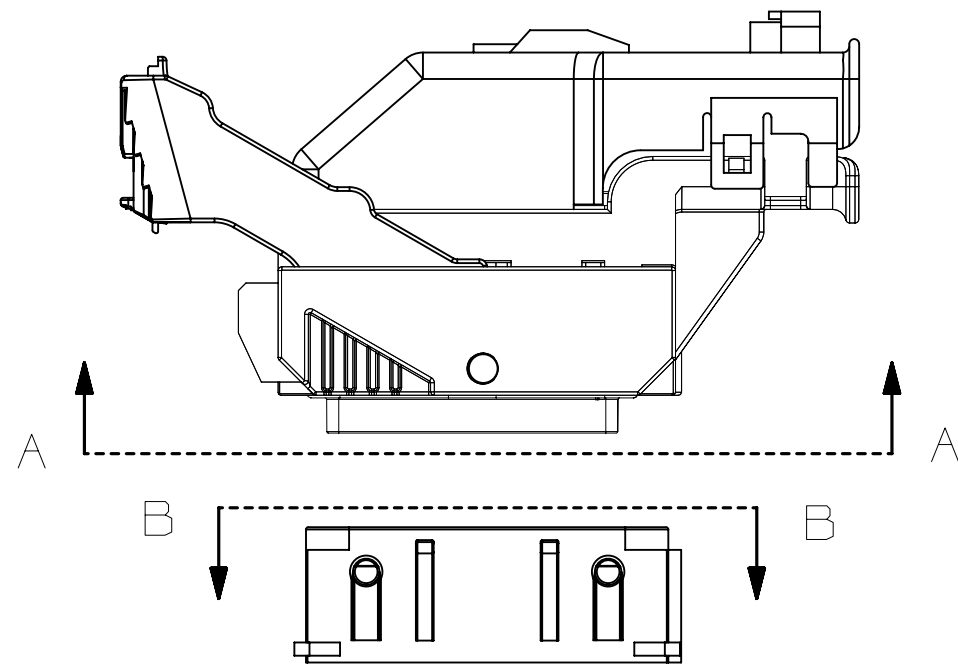
WIRE DRESS OPTION 0 SHOWN



WIRE DRESS OPTION 9 SHOWN

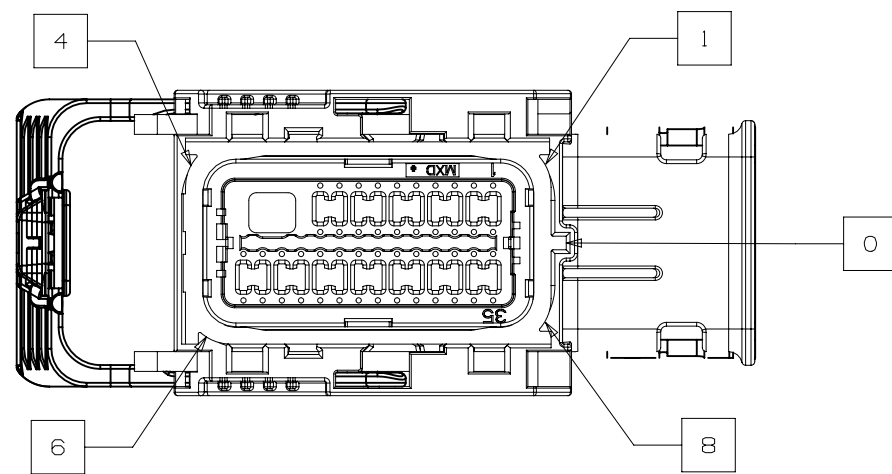




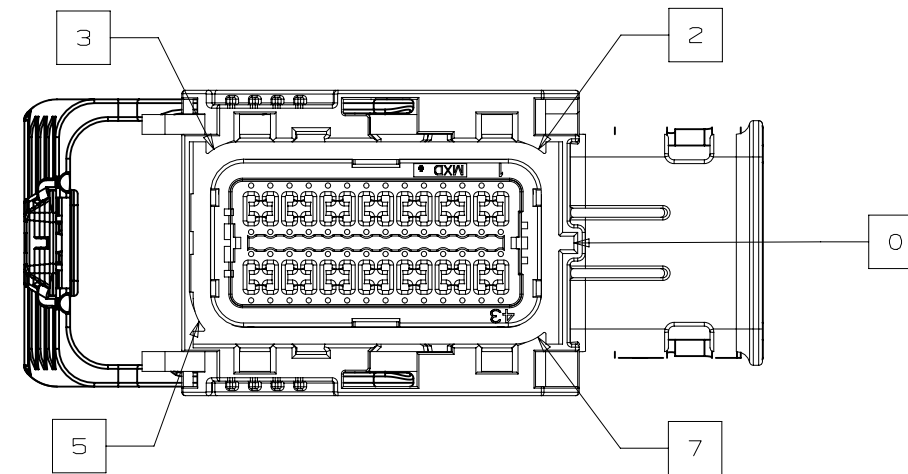


NOTE: REFERENCE THE COMPONENT TABLE FOR KEY OPTIONS AND CONFIGURATIONS

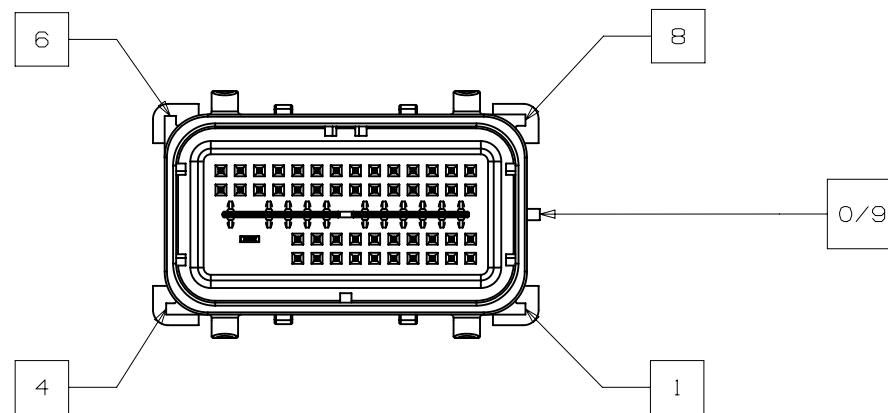
INTERFACE SIDE SHOWN IN ALL SECTION VIEWS



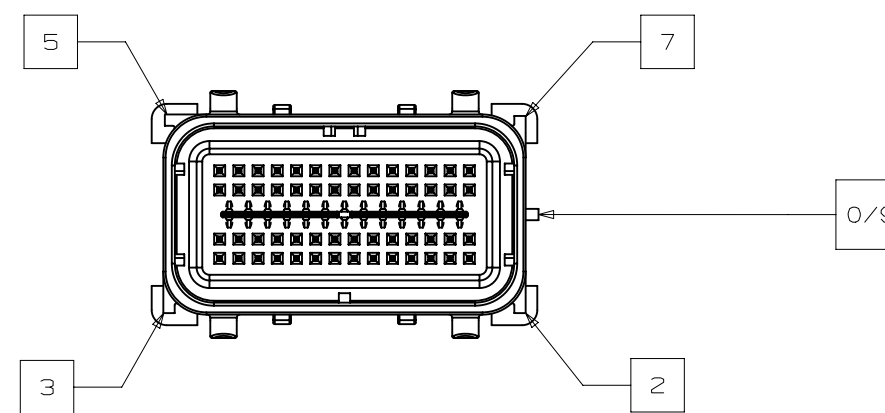
SECTION A-A
KEY OPTION B SHOWN



SECTION A-A
KEY OPTION K SHOWN



SECTION B-B
KEY OPTION B SHOWN



SECTION B-B
KEY OPTION K SHOWN

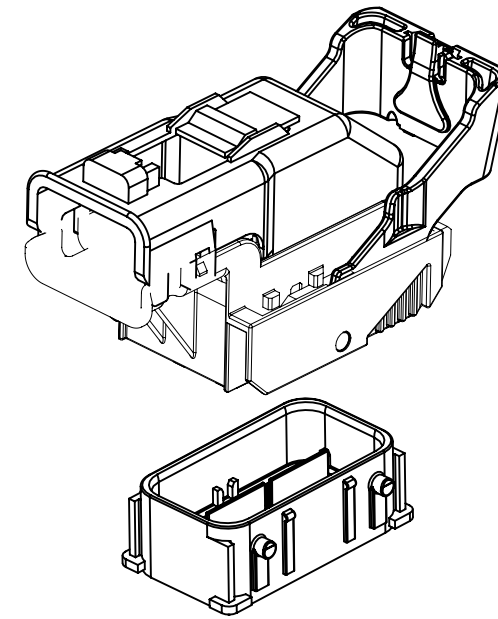
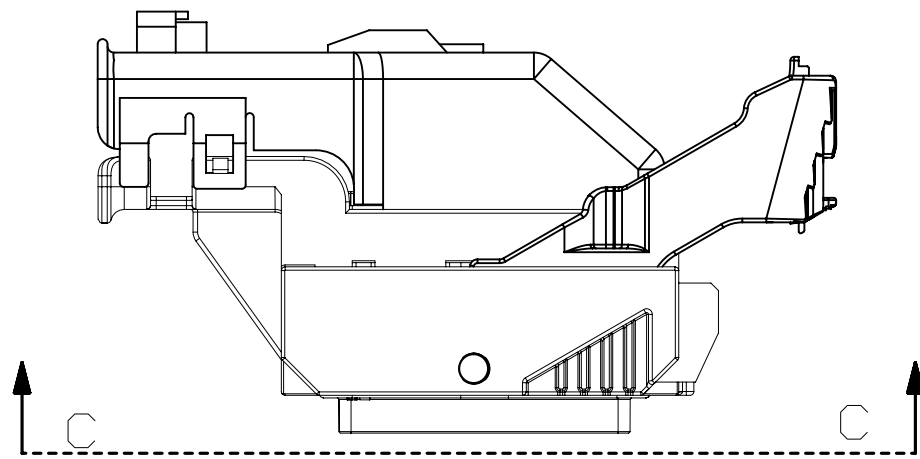


PAGE TITLE
KEY ID REF - WIRE DRESS OPTION 0

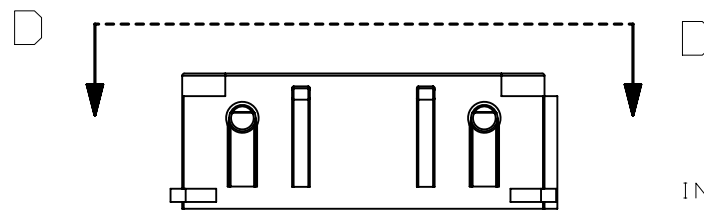
DRAWING NUMBER
12642694

DWG STATUS		
ST	REV	PD1
R	001	

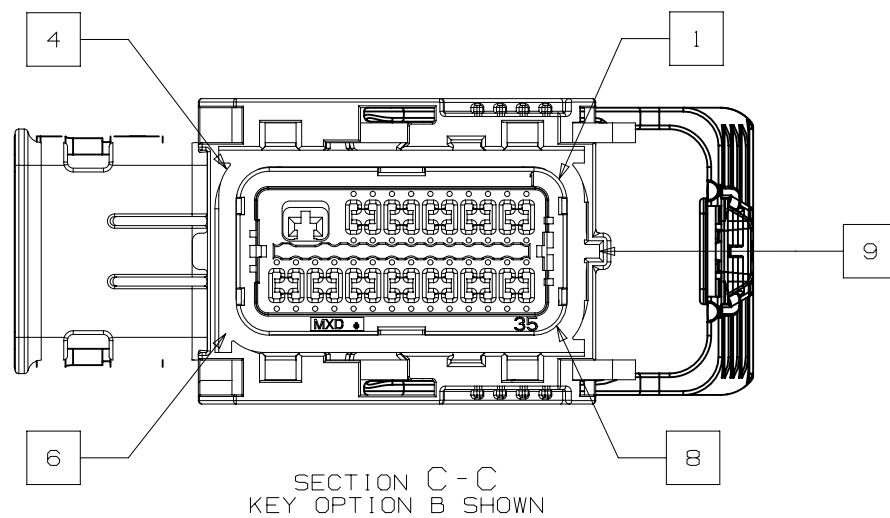
PAGE NUMBER
11 OF 22



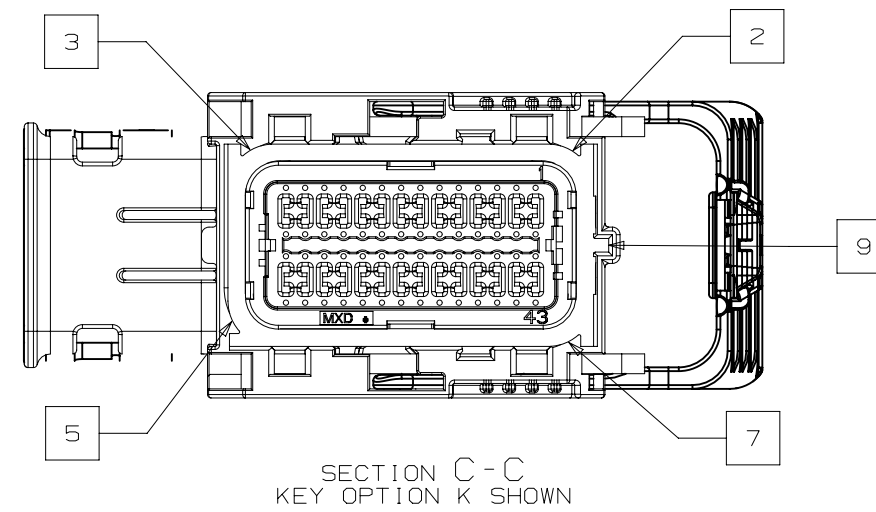
NOTE: REFERENCE THE COMPONENT TABLE FOR KEY OPTIONS AND CONFIGURATIONS



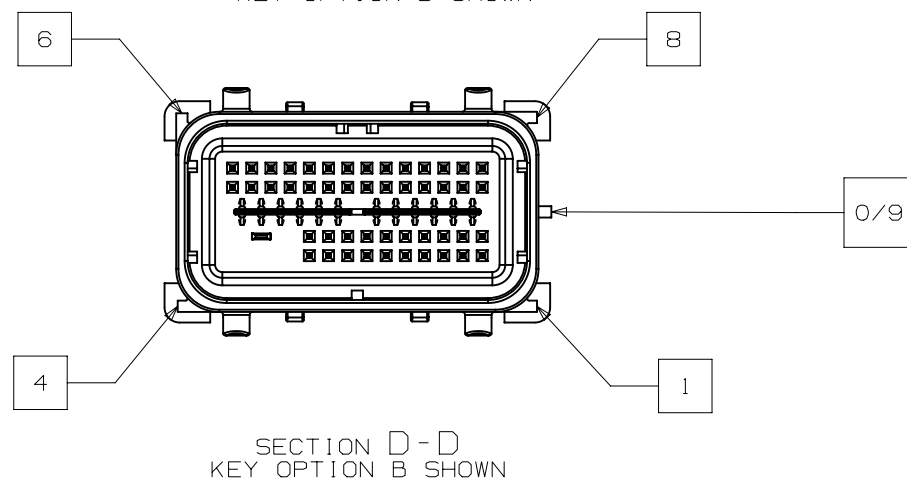
INTERFACE SIDE SHOWN ON ALL SECTION VIEWS



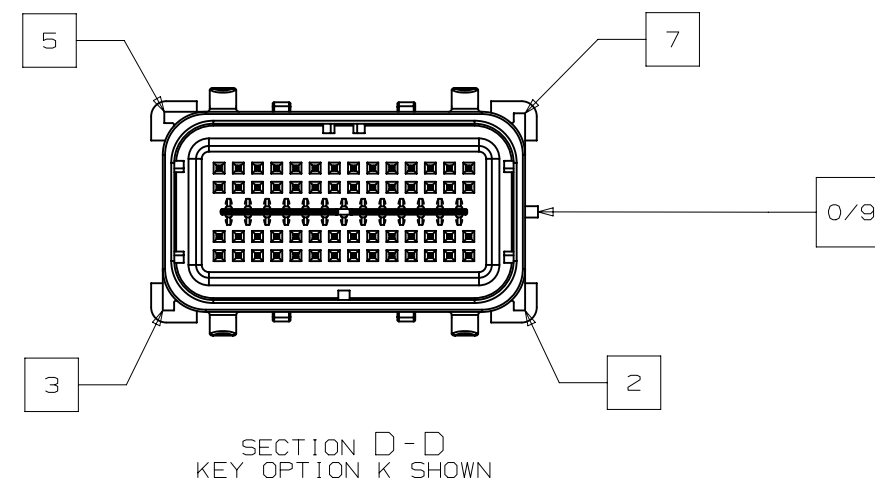
SECTION C-C
KEY OPTION B SHOWN



SECTION C-C
KEY OPTION K SHOWN



SECTION D-D
KEY OPTION B SHOWN



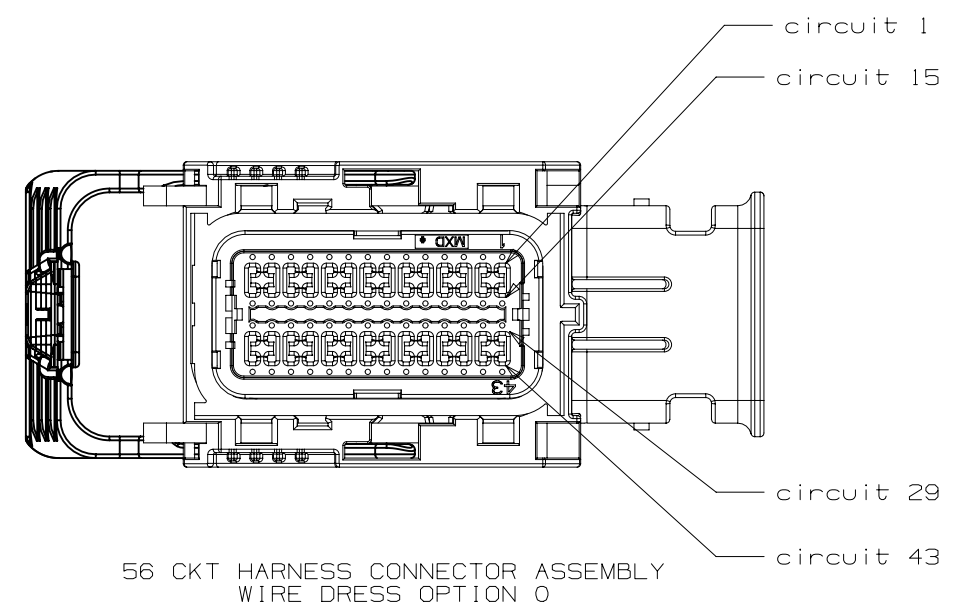
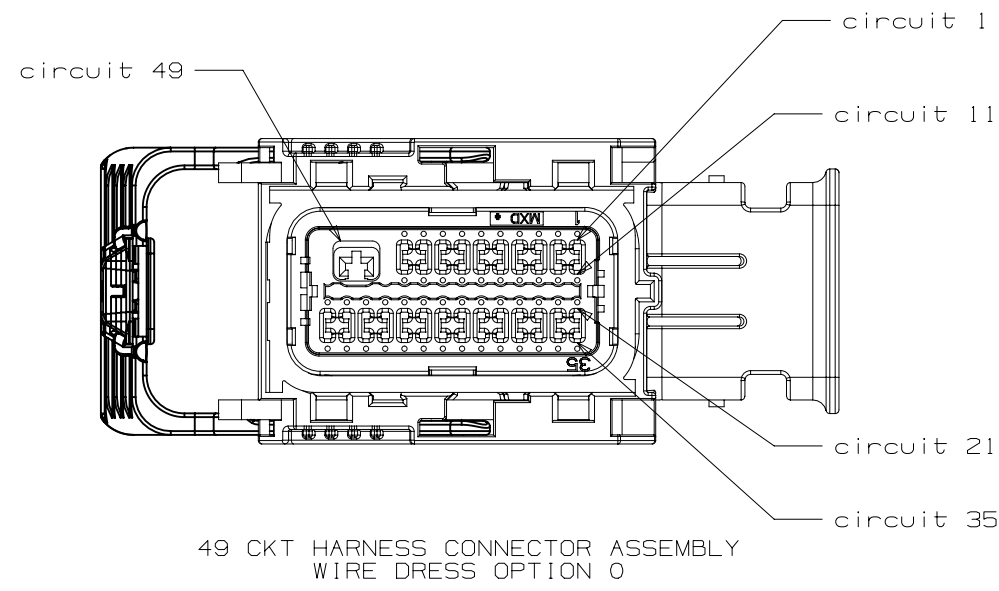
SECTION D-D
KEY OPTION K SHOWN



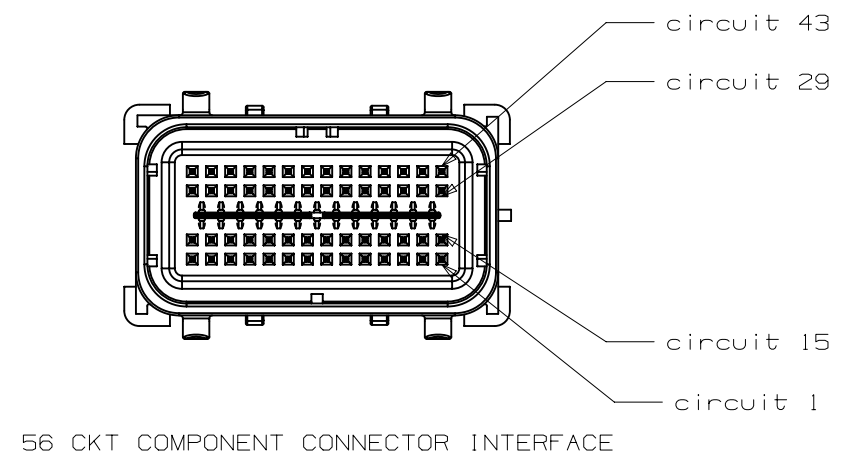
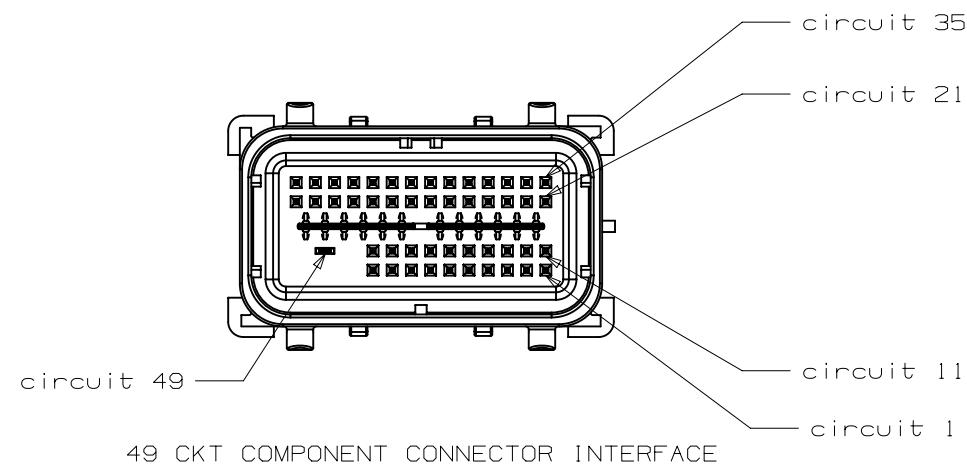
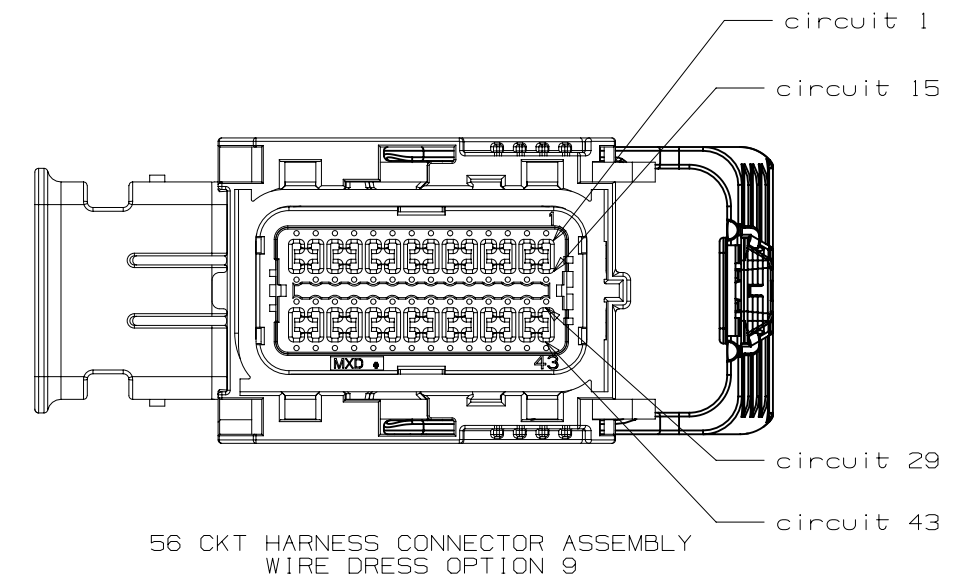
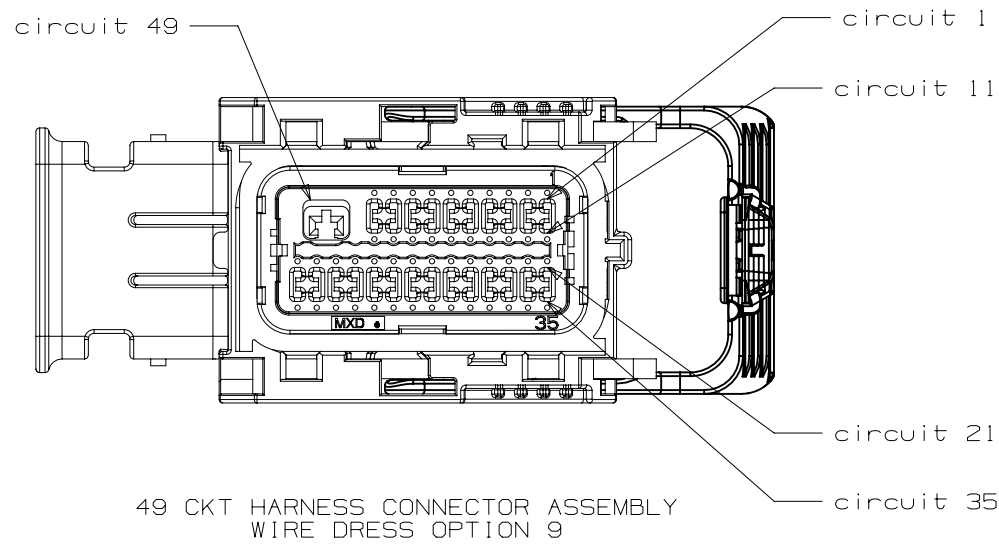
PAGE TITLE
KEY ID REF - WIRE DRESS OPTION 9

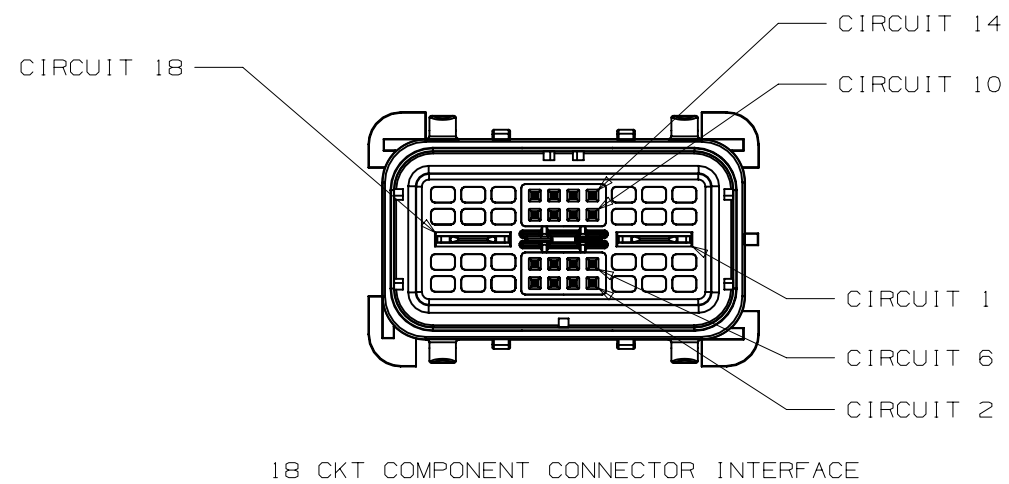
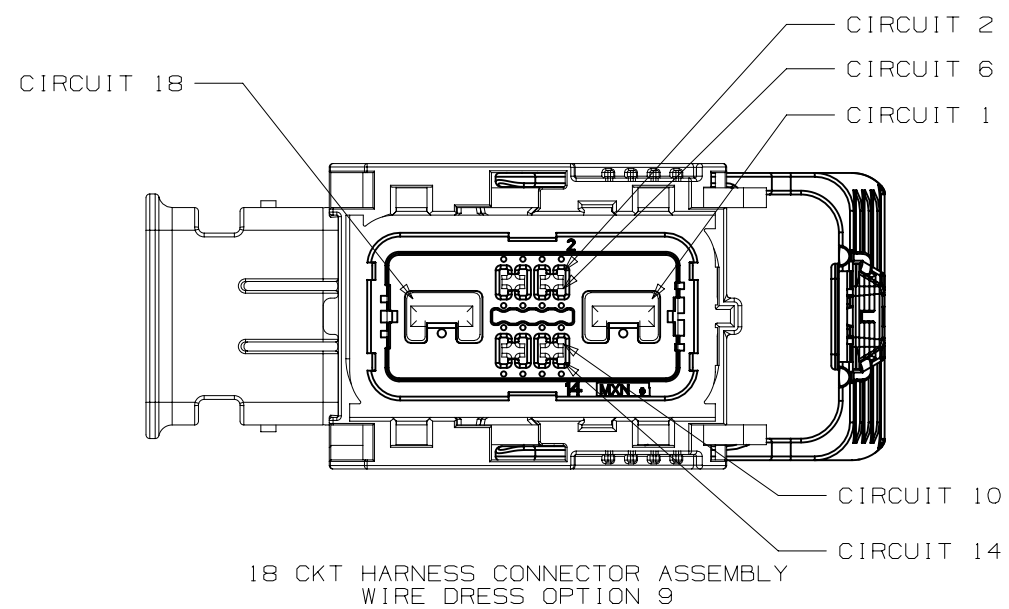
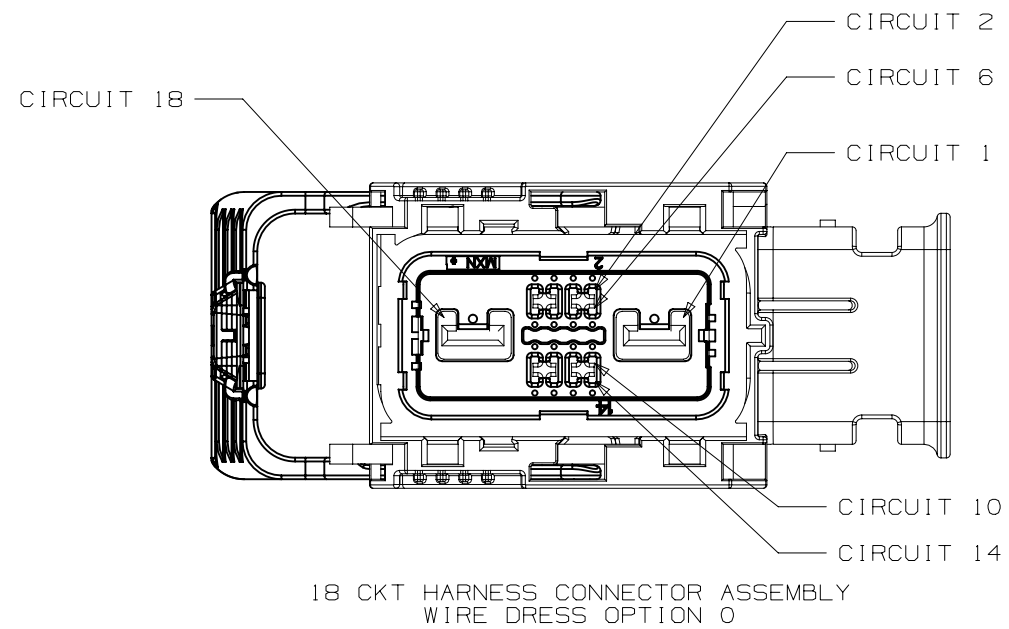
DRAWING NUMBER
12642694

DWG STATUS			PAGE NUMBER
ST	REV	PD1	
R	001		12 OF 22




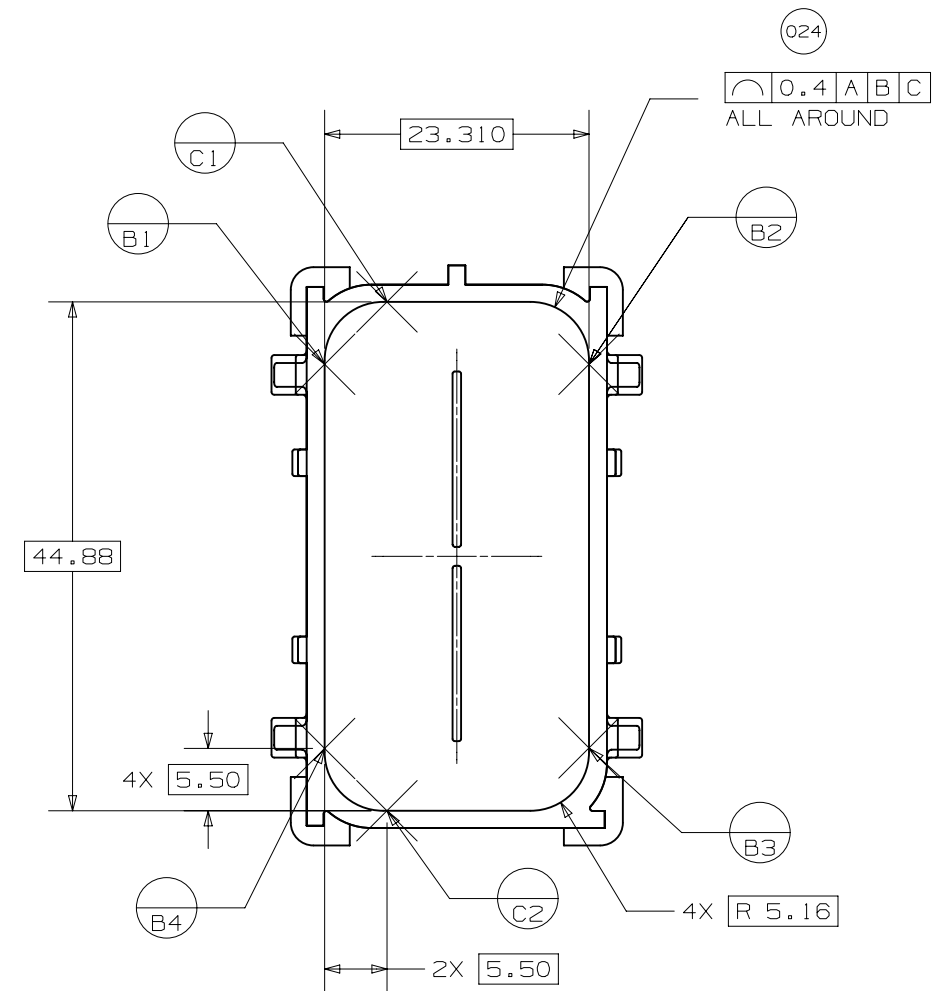
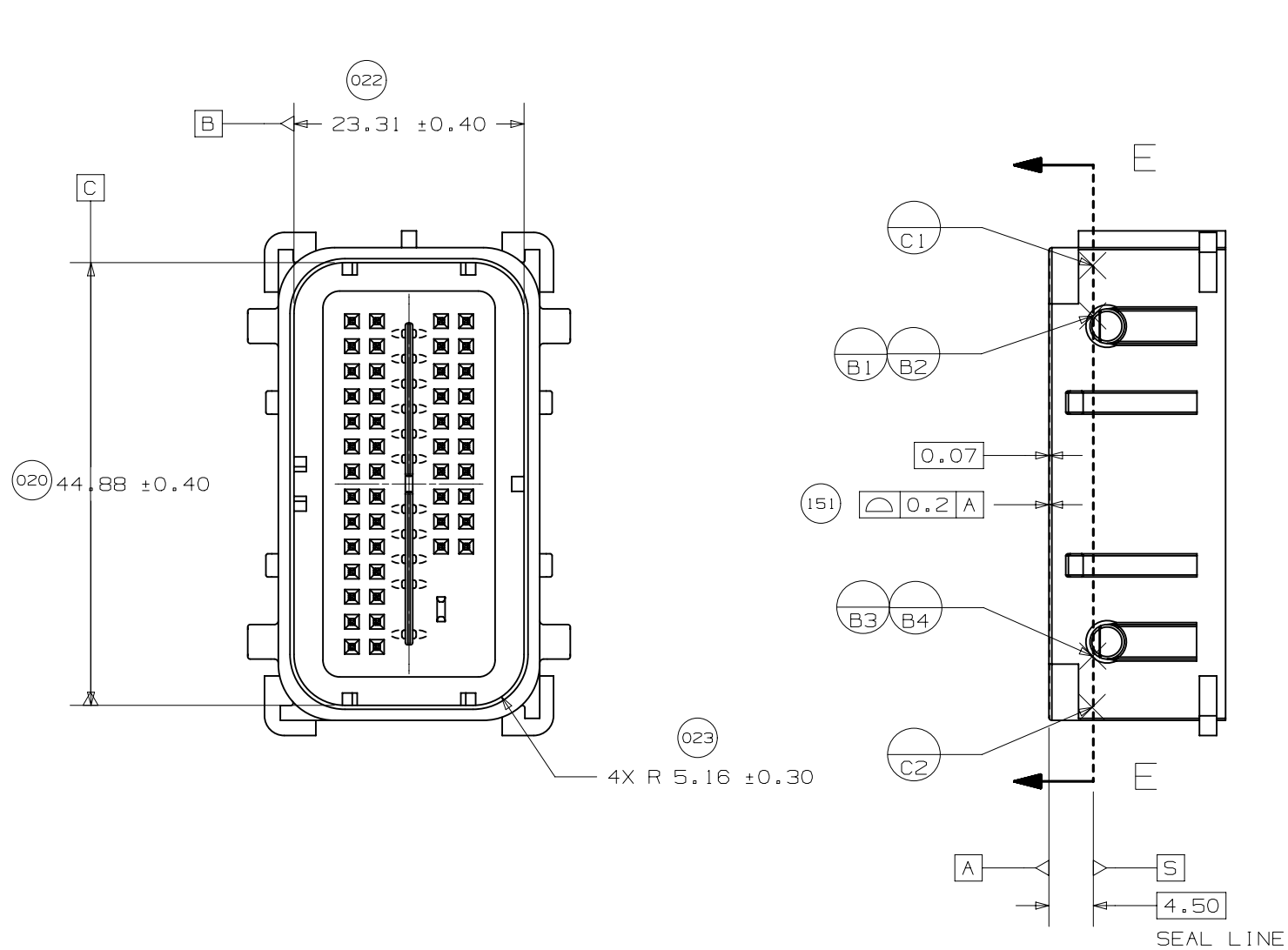
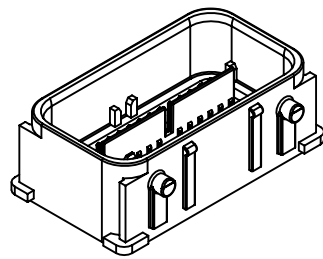
INTERFACE SIDE SHOWN ON ALL VIEWS





INTERFACE SIDE SHOWN ON ALL VIEWS

	PAGE TITLE	DRAWING NUMBER	DWG STATUS			PAGE NUMBER	
	CIRCUIT CONFIGURATIONS		12642694	ST	REV	PDI	14 of 22
				R	001		



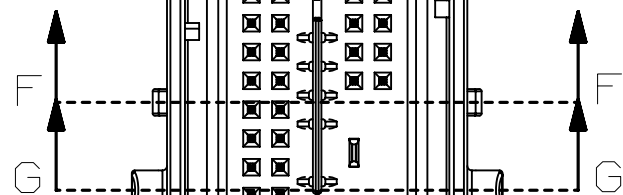
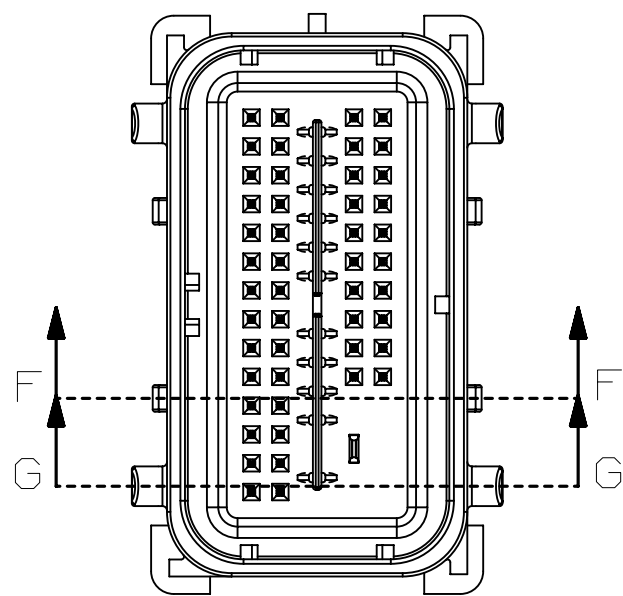
UNLESS SPECIFIED, TOLERANCE OF THE DEVICE INTERFACE TO BE $\nabla 0.13 A B C$



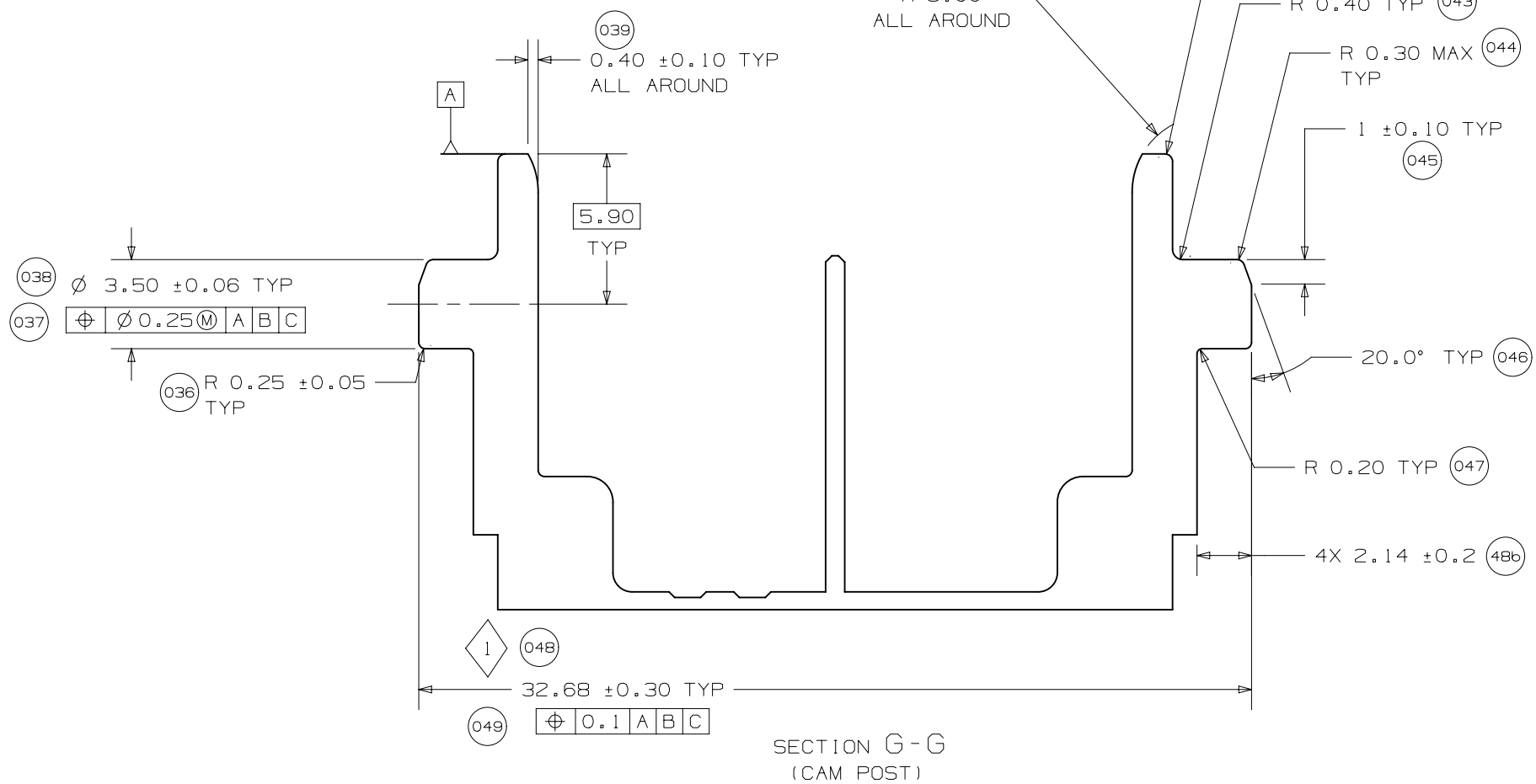
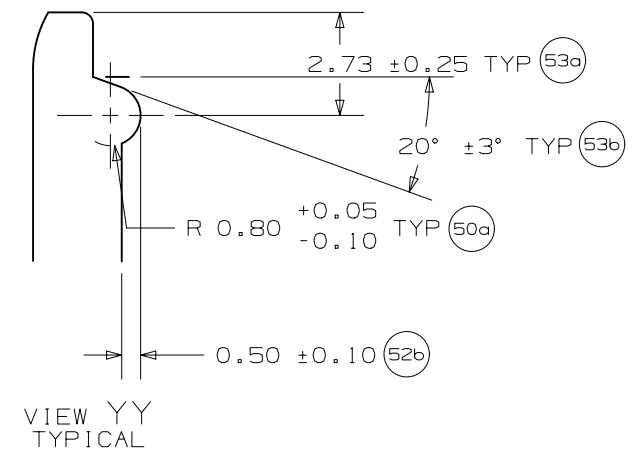
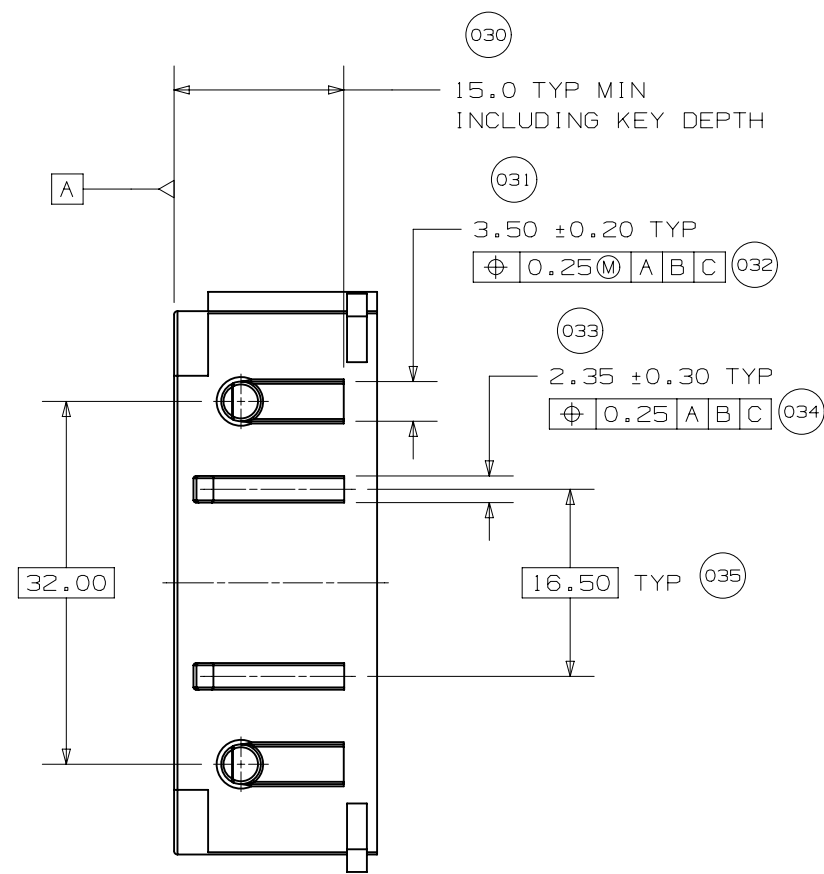
PAGE TITLE
COMPONENT CONNECTOR INTERFACE

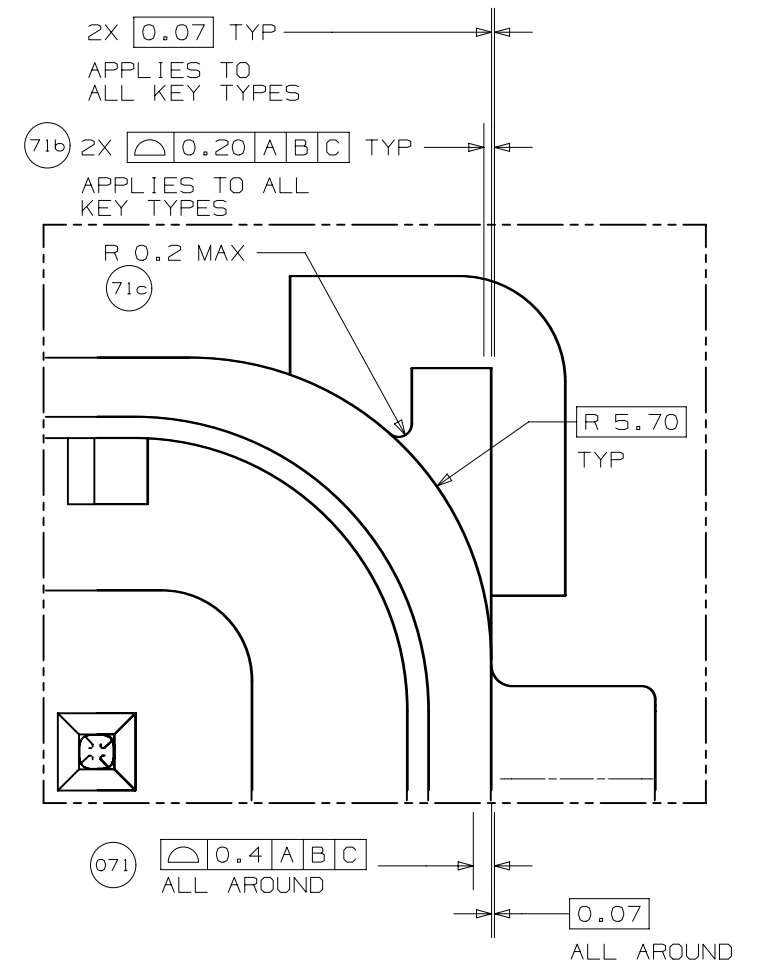
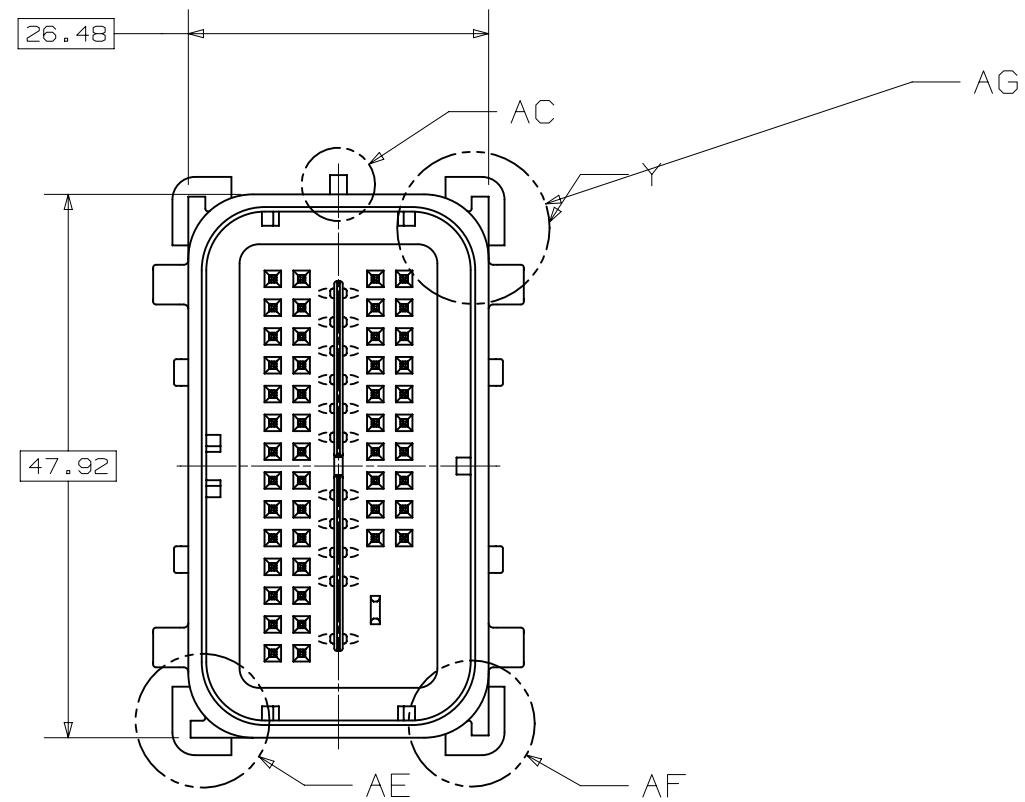
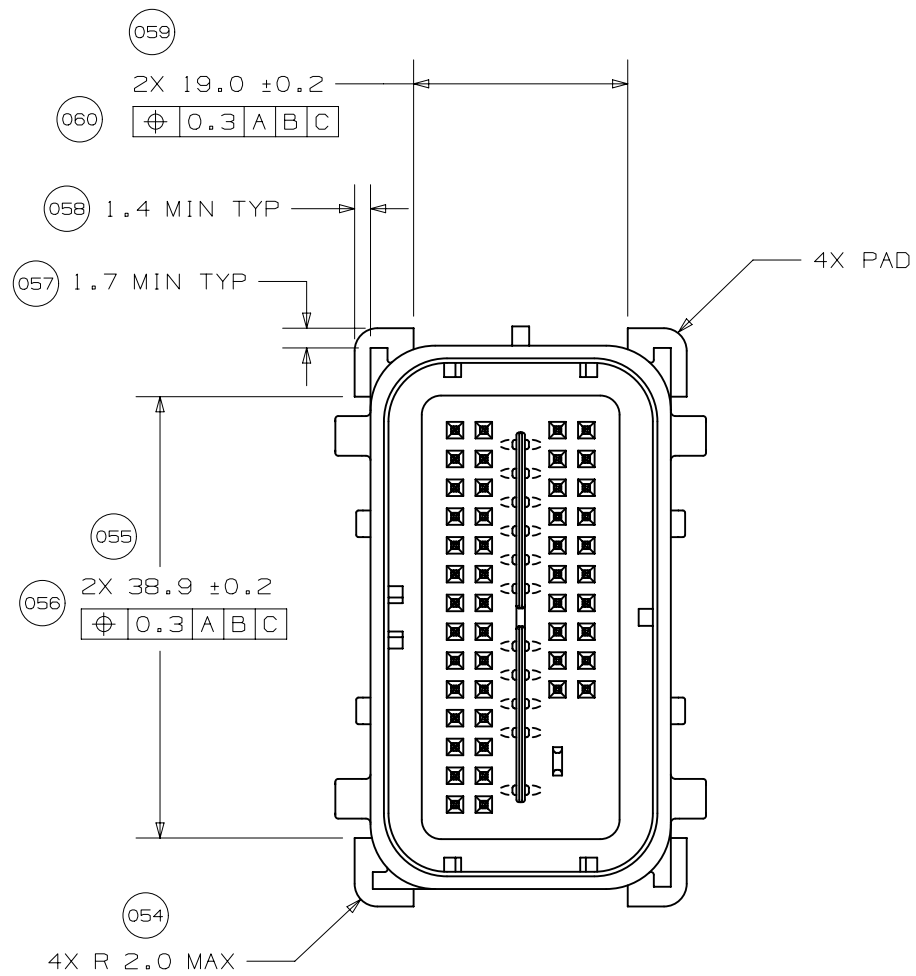
DRAWING NUMBER
12642694

DWG STATUS			PAGE NUMBER
ST	REV	PD1	
R	001		15 of 22

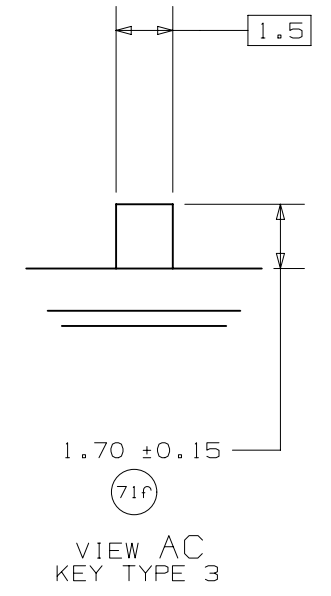
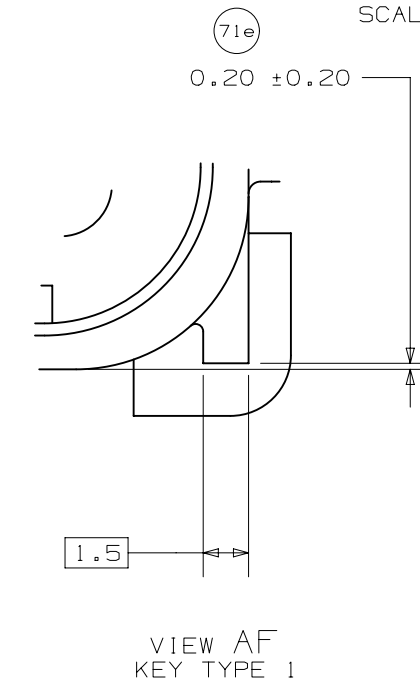
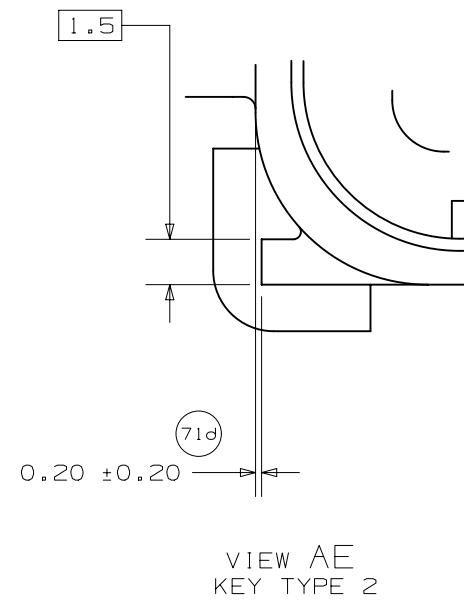
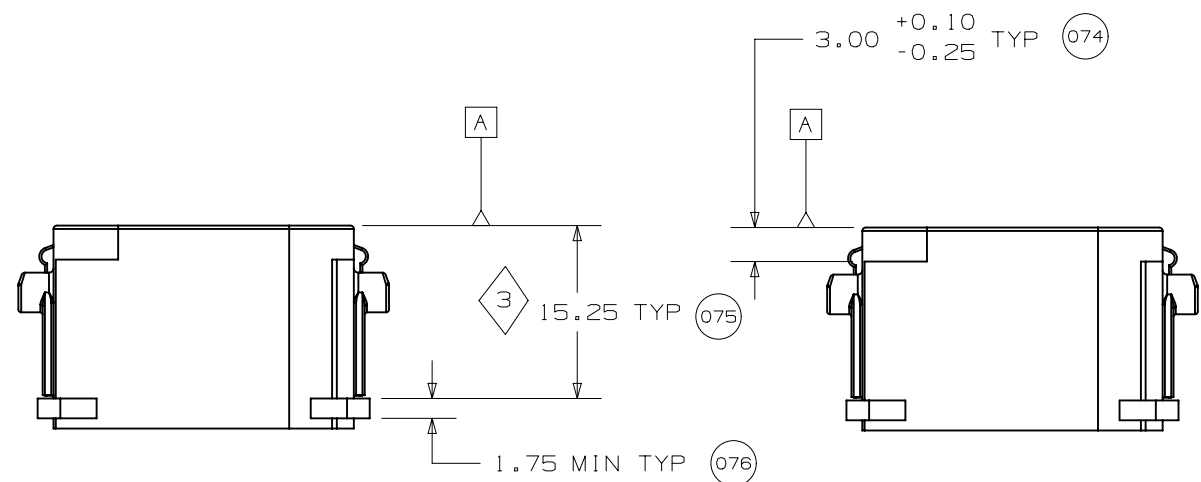


SECTION F - F
(RELEASE FEATURE)





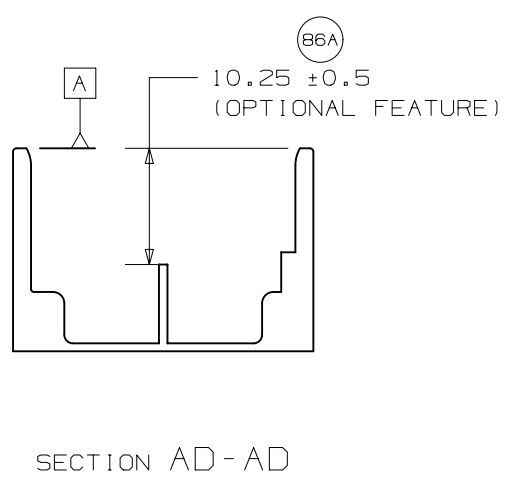
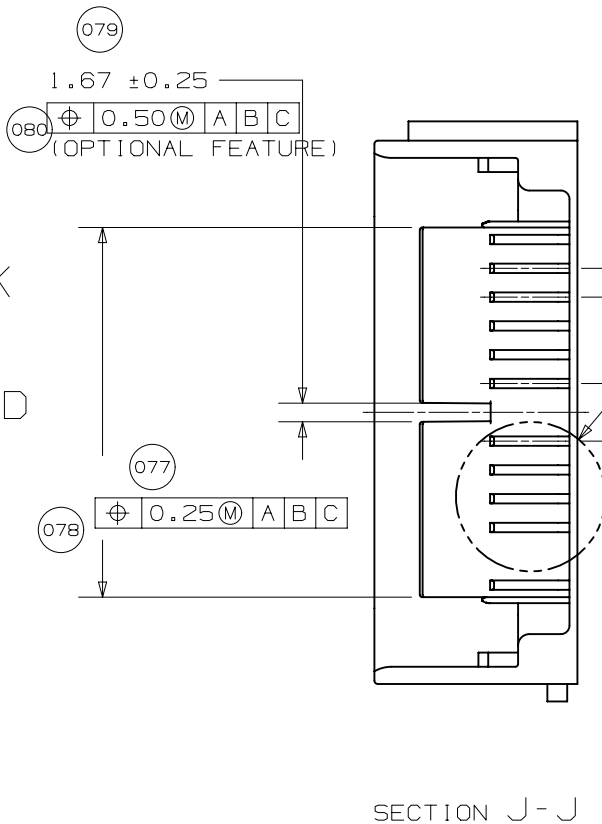
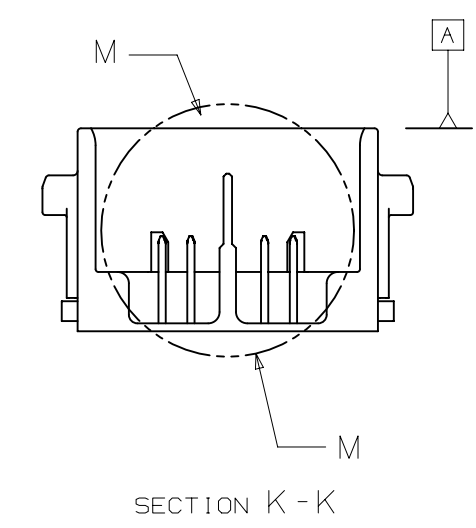
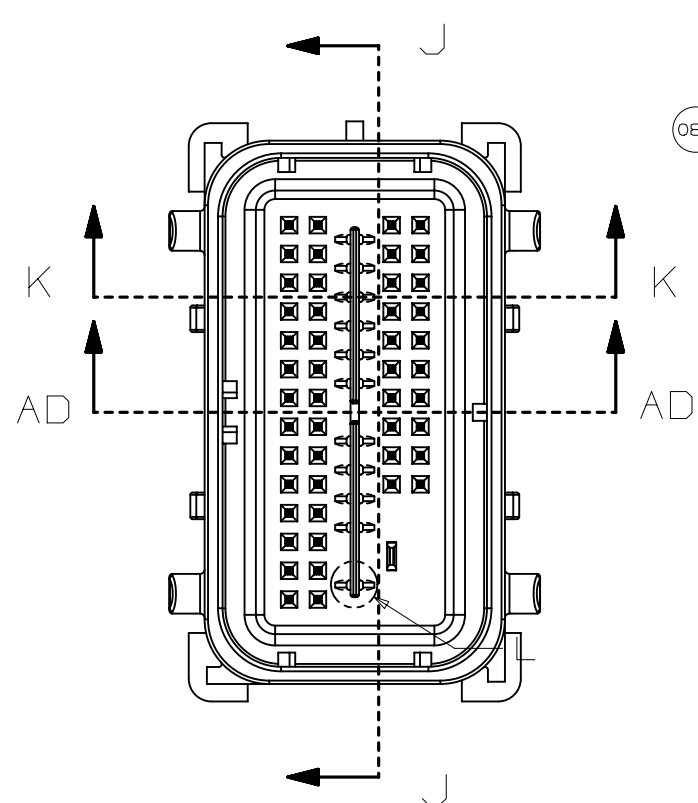
DETAIL Y
SCALE 7:1



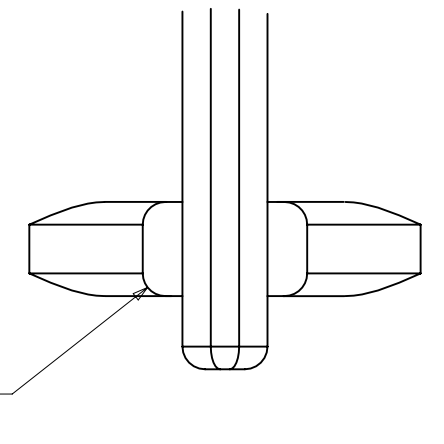
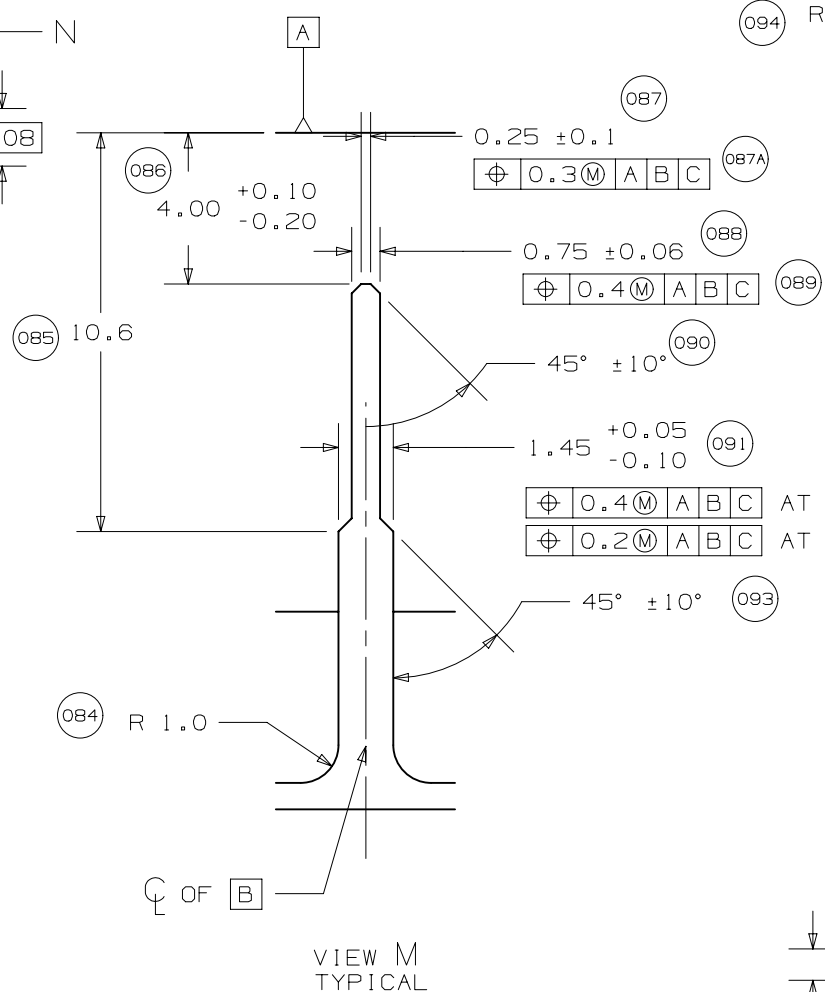
PAGE TITLE
COMPONENT CONNECTOR INTERFACE

DRAWING NUMBER
12642694

DWG STATUS			PAGE NUMBER
ST	REV	PD1	
R	001		17 of 22



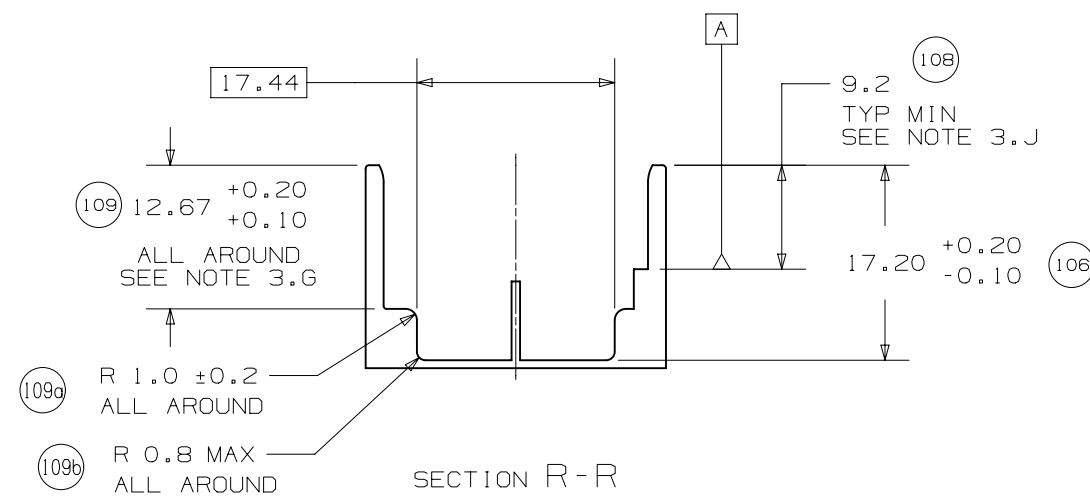
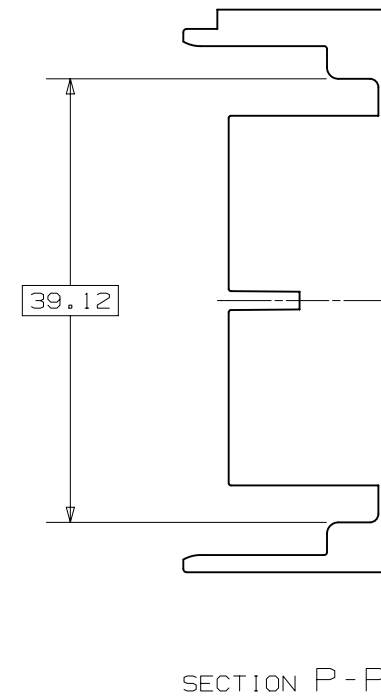
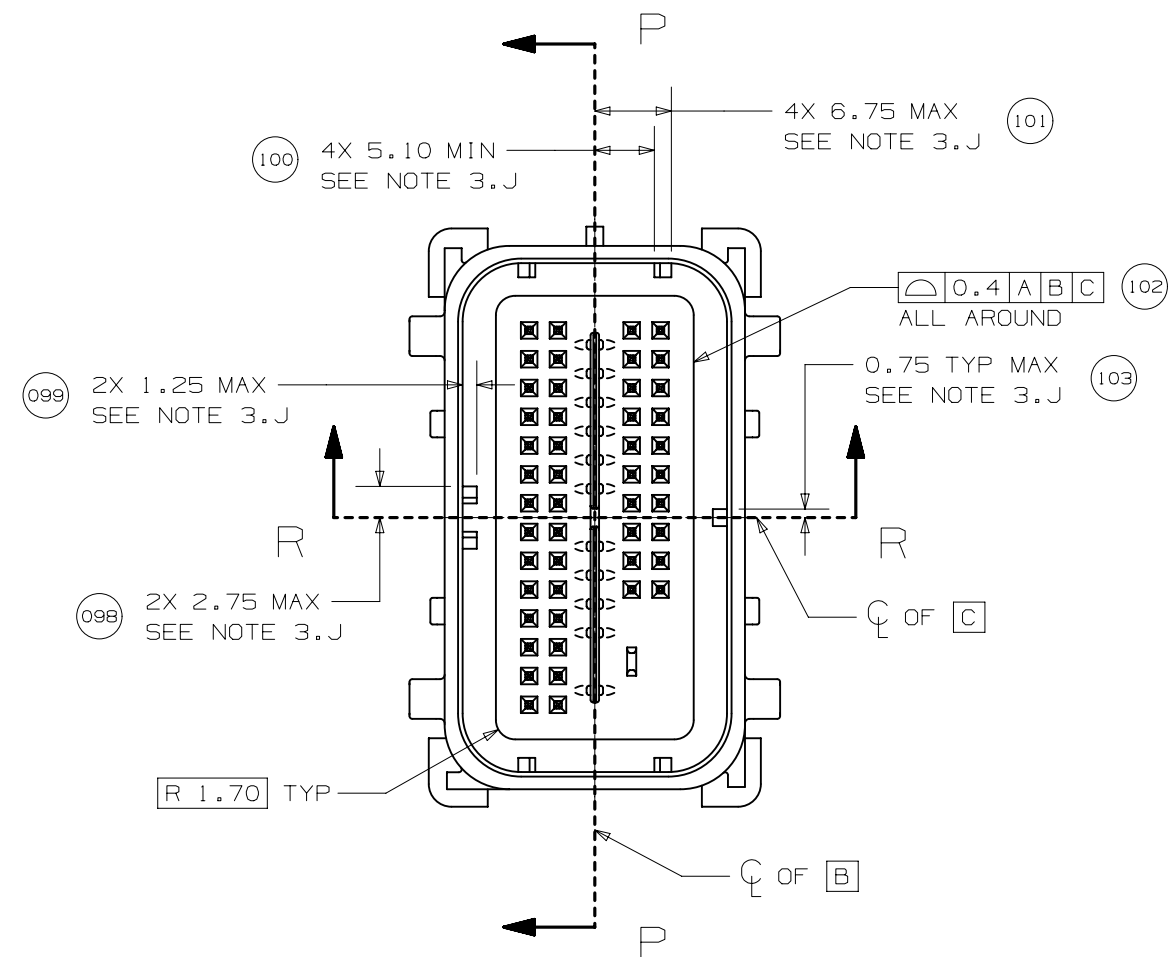
CKT	DIM 077
49 / 56 CKT	32.60 +0.10/-0.80
18 CKT	10.04 +0.10/-0.80

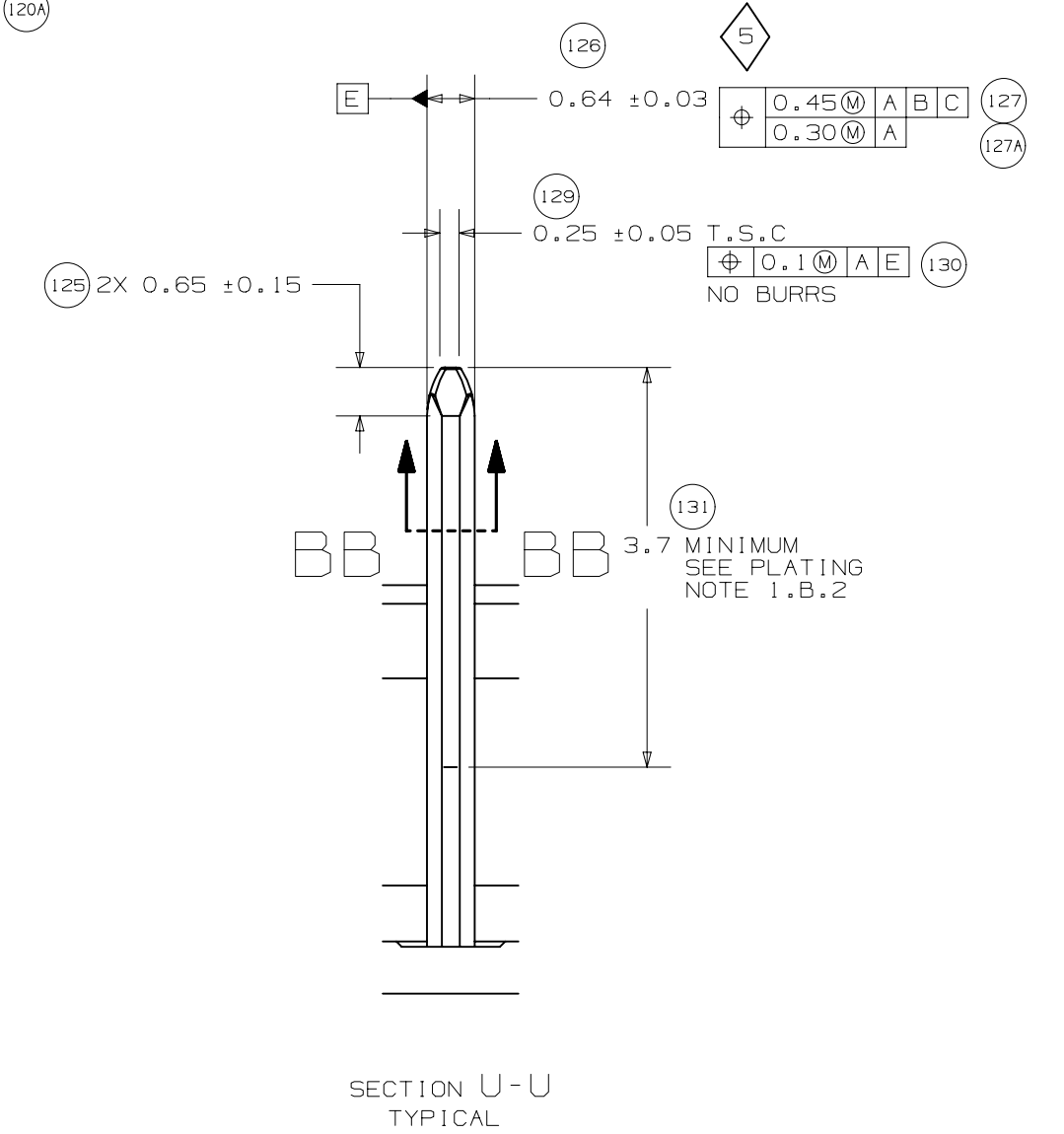
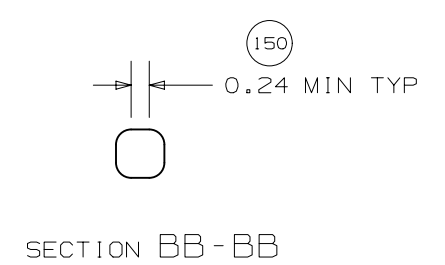
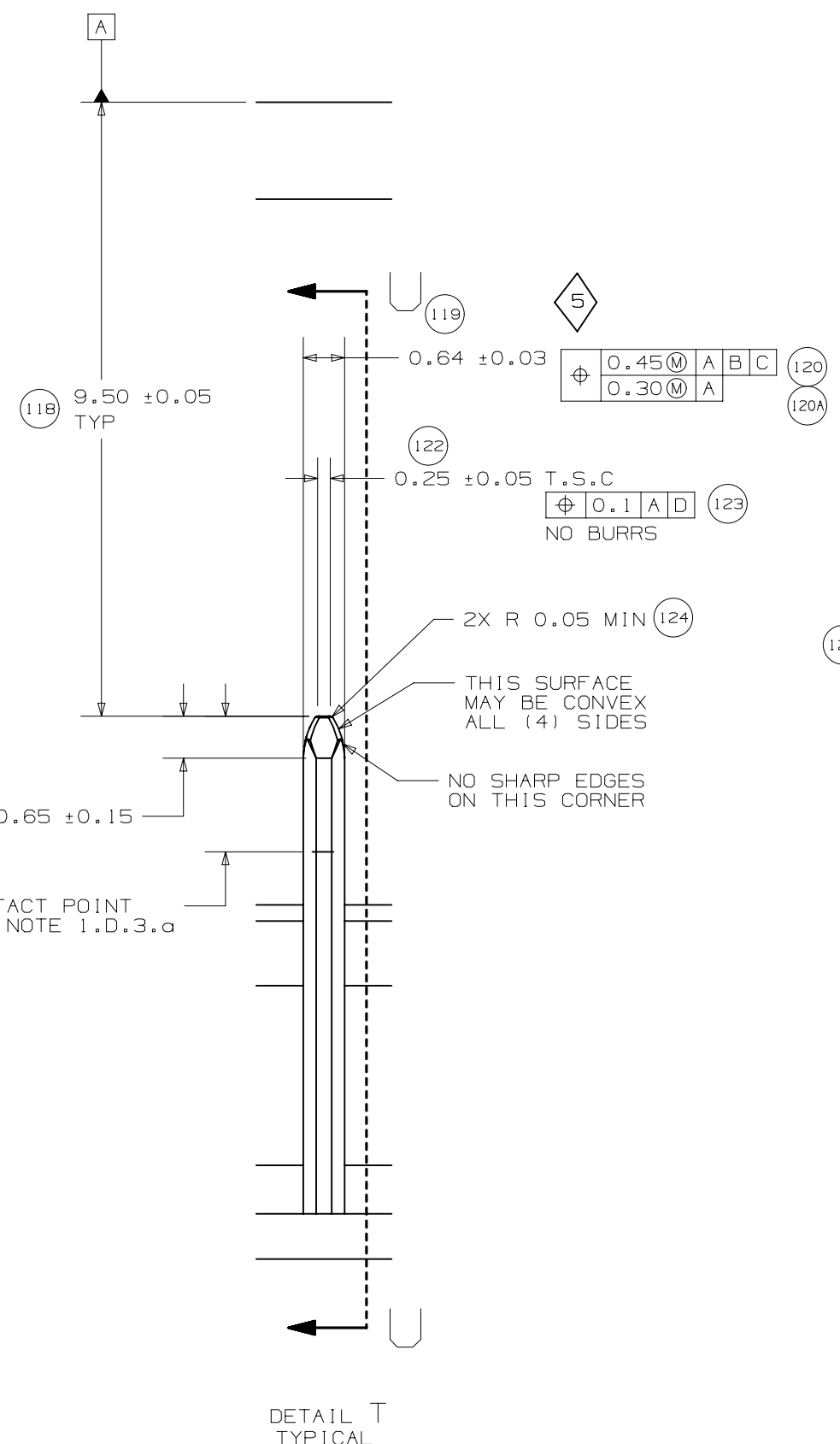
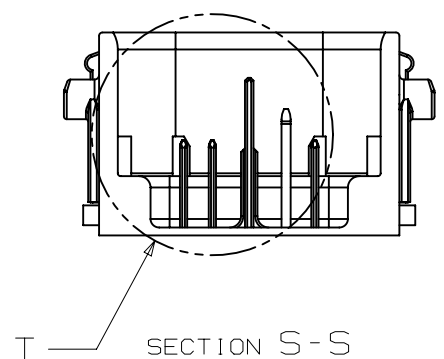
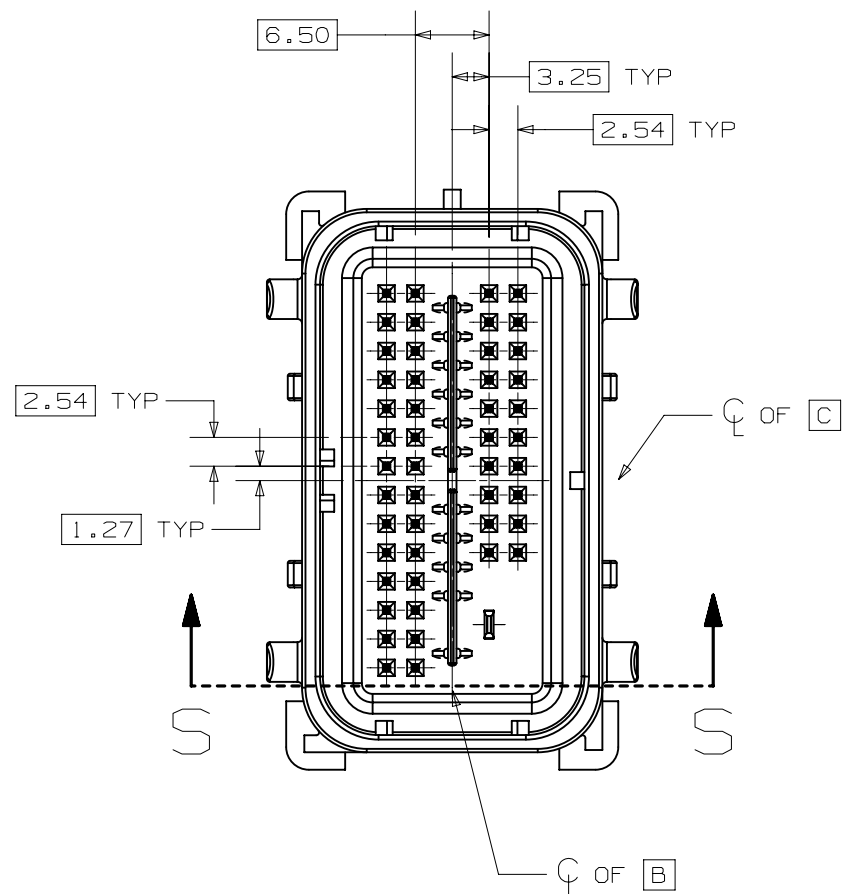


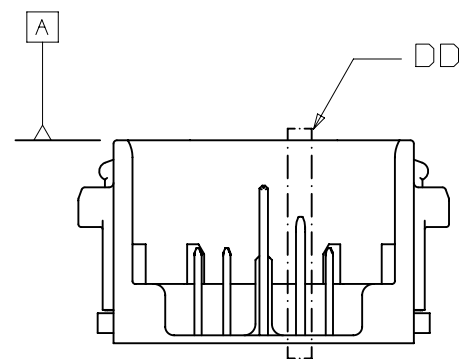
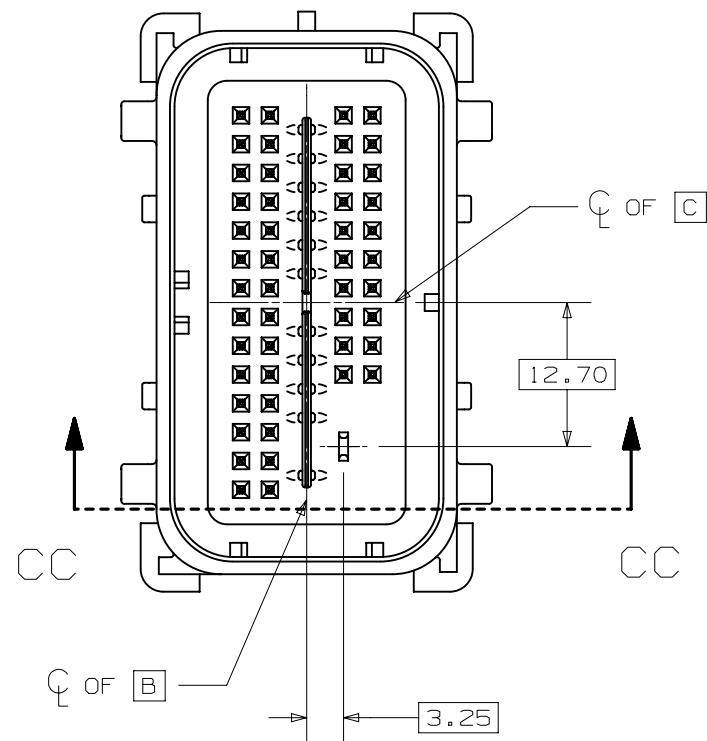
VIEW L



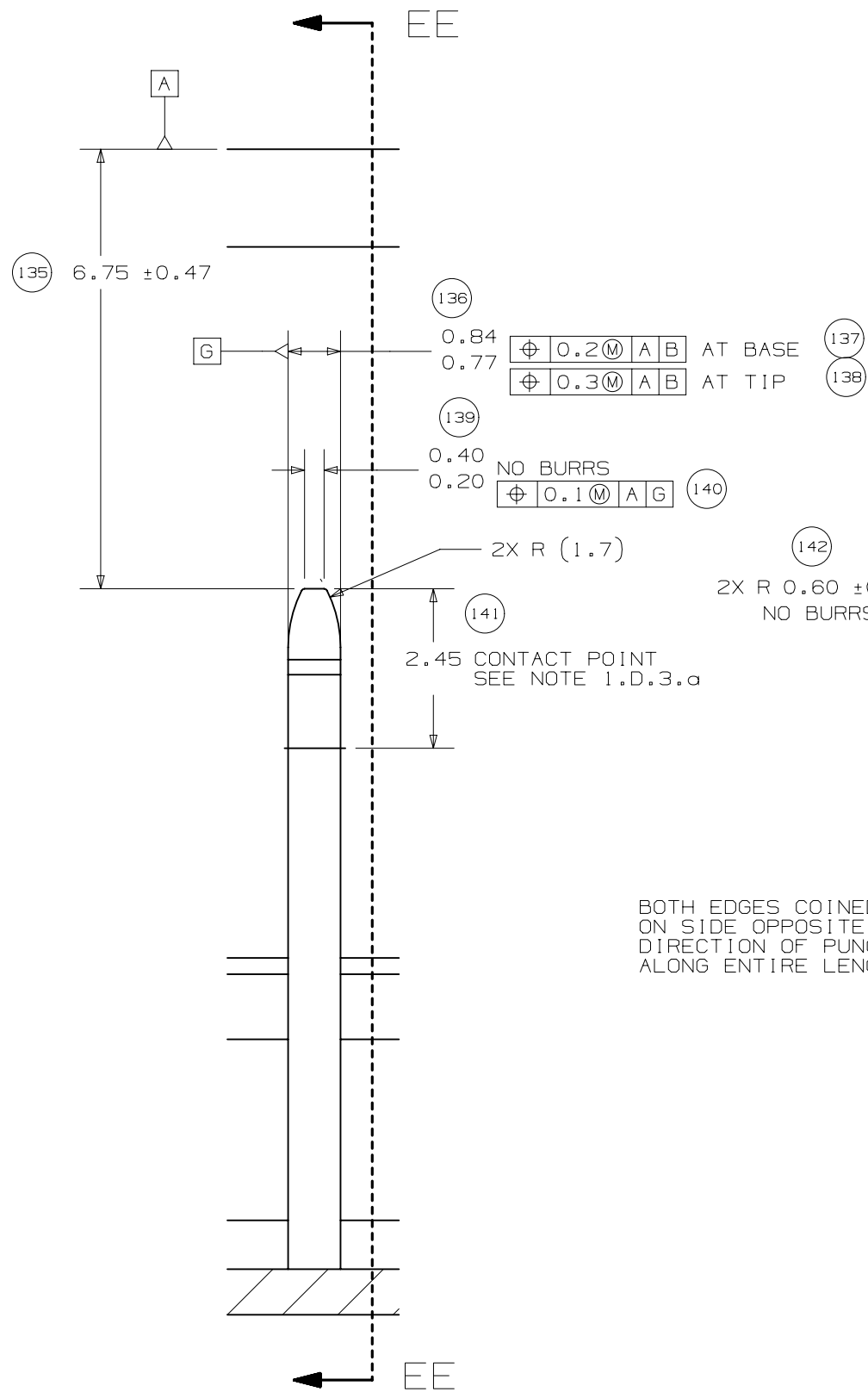
VIEW N



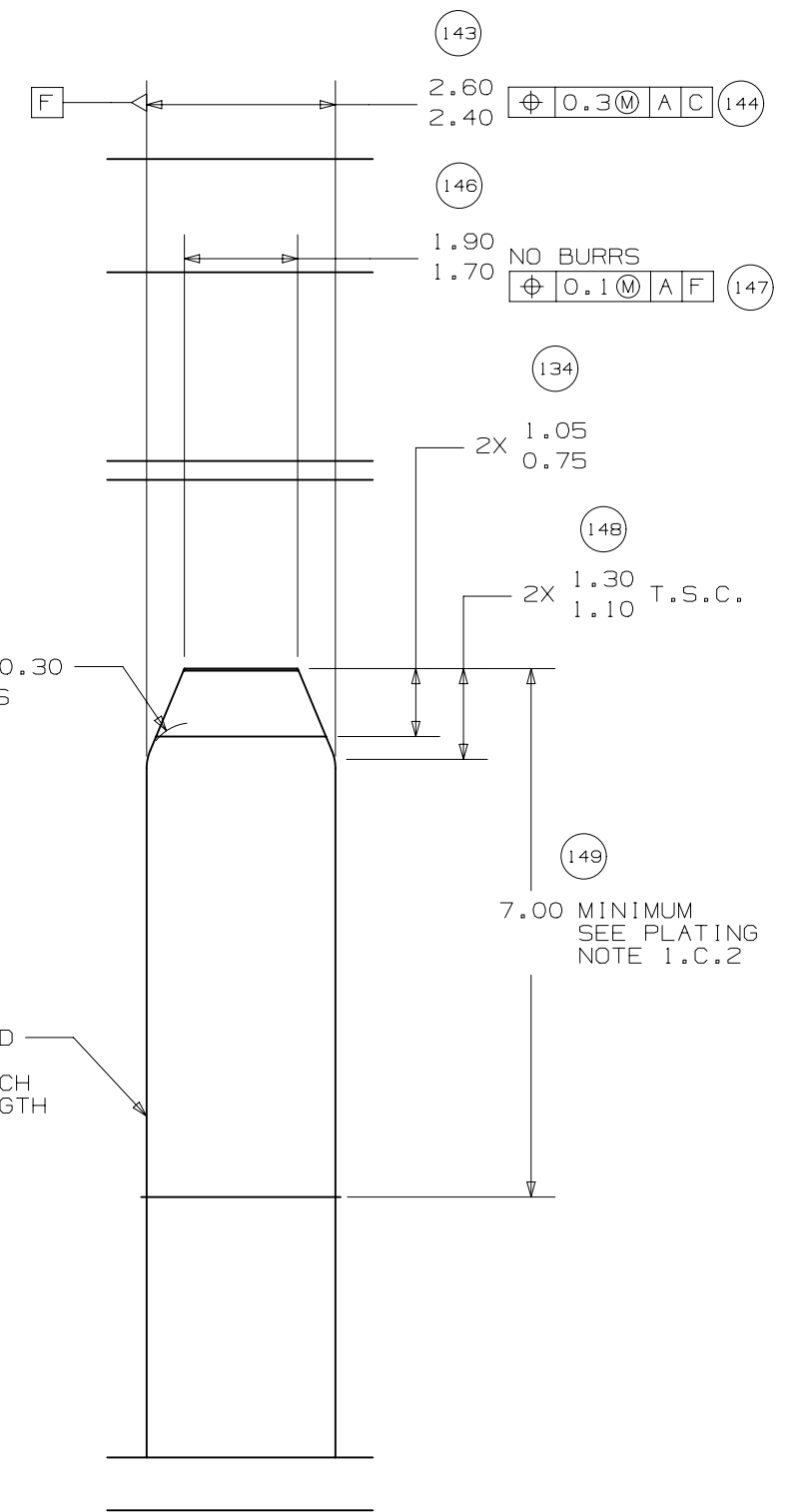




SECTION CC-CC

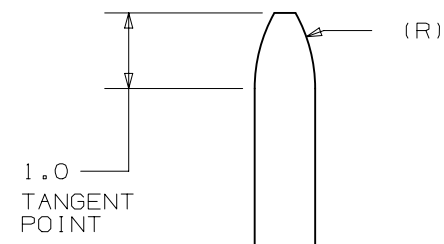


DETAIL DD
TYPICAL

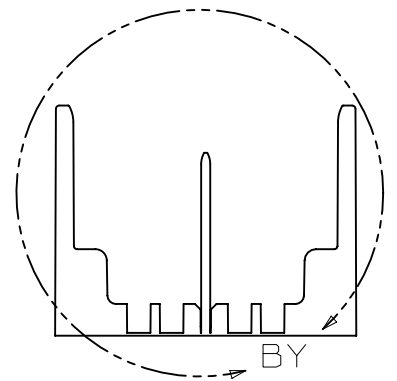
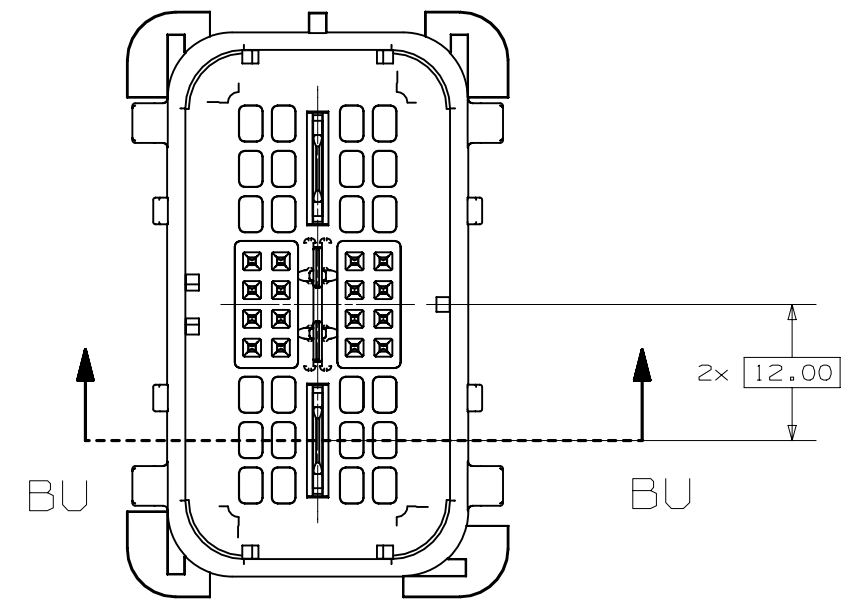


SECTION EE-EE
TYPICAL

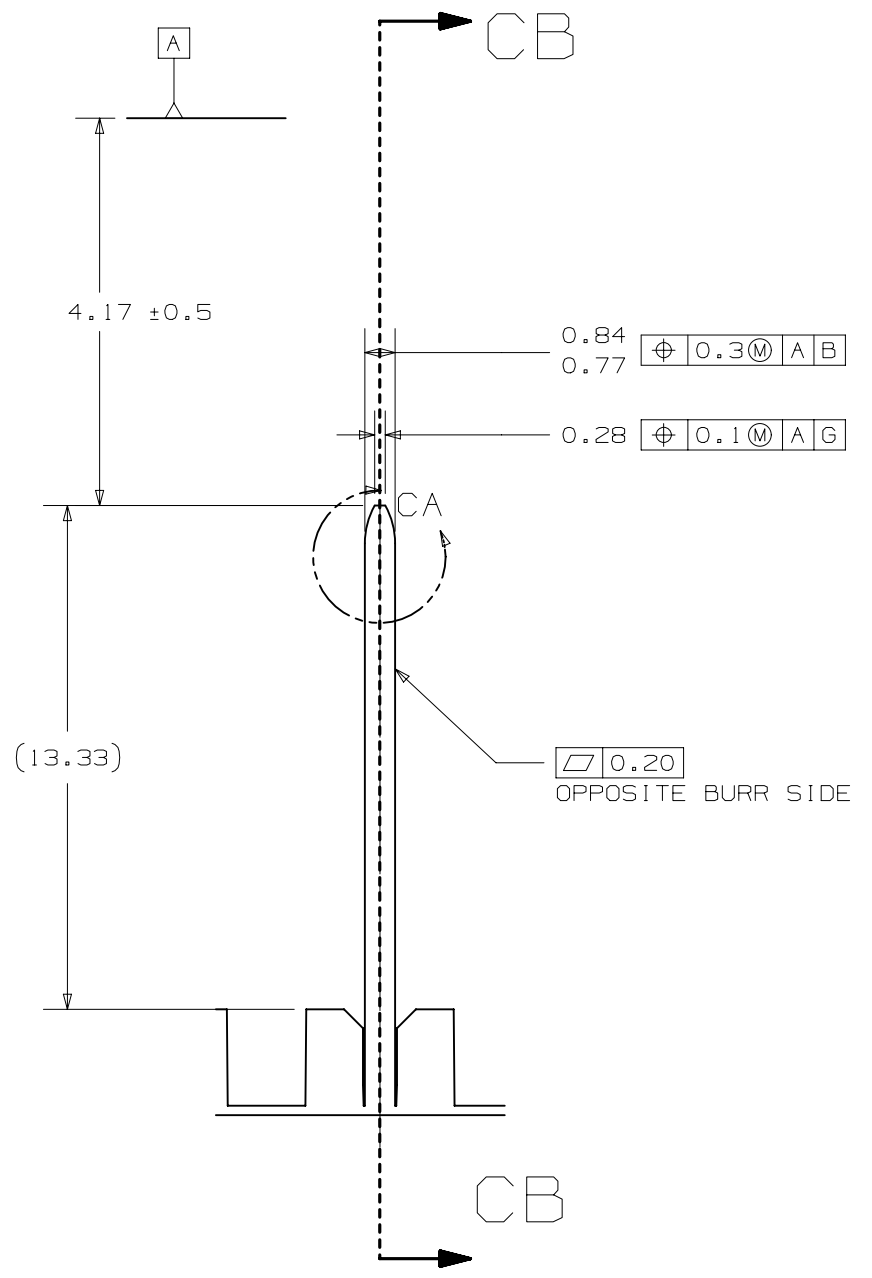




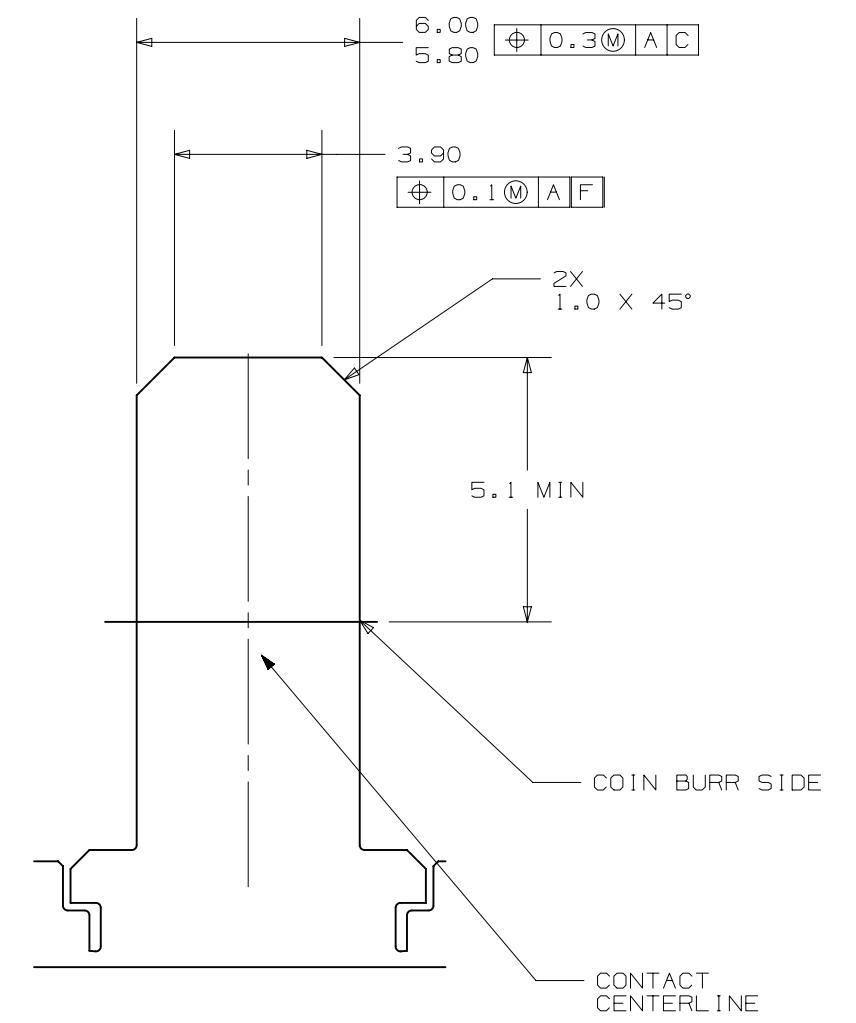
VIEW CA
SCALE 10:1



SECTION BU-BU



VIEW BY
SCALE 5:1



SECTION CB-CB



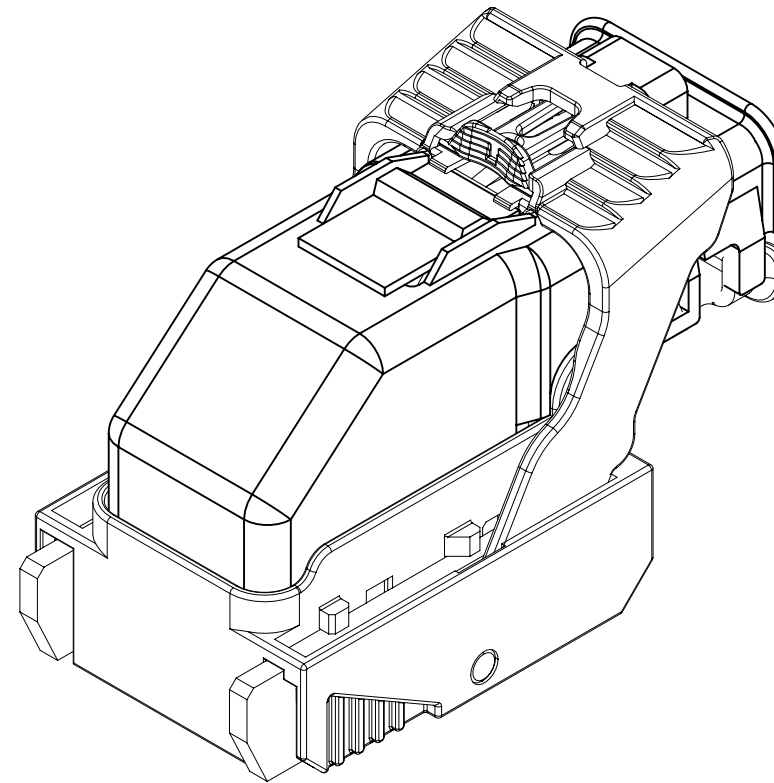
PAGE TITLE
COMPONENT CONNECTOR INTERFACE

DRAWING NUMBER
12642694


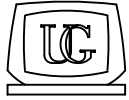
DWG STATUS		
ST	REV	PD1
R	001	

PAGE NUMBER
22 OF 22

INDEX	
PAGE TITLE	PAGE
TITLE BLOCK	1
REVISION BLOCK	2
PART BLOCK	3
KPC BLOCK	4
COMPONENT TABLE	5
NOTES	6
NOTES	7
WIRE DRESS PACKAGING DIMENSIONS	8
LOCATION AND PACKAGING DIMENSIONS REFERENCING INTERFACE DATUMS B & C	9
LOCATION AND PACKAGING DIMENSIONS REFERENCING INTERFACE DATUM A	10
KEY ID REF - WIRE DRESS OPTION 0	11
KEY ID REF - WIRE DRESS OPTION 9	12
CIRCUIT CONFIGURATIONS	13
CIRCUIT CONFIGURATIONS	14
COMPONENT CONNECTOR INTERFACE	15
COMPONENT CONNECTOR INTERFACE	16
COMPONENT CONNECTOR INTERFACE	17
COMPONENT CONNECTOR INTERFACE	18
COMPONENT CONNECTOR INTERFACE	19
COMPONENT CONNECTOR INTERFACE	20
COMPONENT CONNECTOR INTERFACE	21
COMPONENT CONNECTOR INTERFACE	22




ISO VIEW

	THIS DOCUMENT IS IN ACCORDANCE WITH ASME Y14.5M-1994 AS AMENDED BY THE GM GLOBAL DIMENSIONING AND TOLERANCING ADDENDUM - 2004.			DATE	
	 CHANGE RESTRICTED NO MANUAL CHANGES	REFERENCE 12H (MOLEX AUTOMOTIVE)	DRAFTER	D. KOEHLER	28AP15
APVD1			M.R. OOSTERINK	29AP15	
APVD2			J. SWARTZ	29AP15	
APVD3			G. FLECK	08MY15	
APVD4					
DO NOT SCALE		APVD5			
METRIC DIMENSIONS SHOWN IN MILLIMETERS UNLESS OTHERWISE SPECIFIED	DRAWING NAME				
	HARNESS CONN ASM-SEALED 18/49/56 CKTS, MX123				
	DRAWING NUMBER	12642694			PAGE NUMBER
		DWG STATUS			
		ST	REV	PD1	
		R	001		1 of 22

PAGE	DWG STATUS					REVISION HISTORY	AUTH	DR	CK	ENG
	DATE	ST	REV	CHG	PDI					

PAGE	DWG STATUS					REVISION HISTORY	AUTH	DR	CK	ENG
	DATE	ST	REV	CHG	PDI					
	08MY15	R	001			RELEASED TO PRODUCTION AT DLS A	CRMRJD	DFK	MRO	GF

	PAGE TITLE	DRAWING NUMBER	DWG STATUS			PAGE NUMBER	
	REVISION BLOCK		12642694	ST	REV		PDI
				R	001		

KEY PRODUCT CHARACTERISTICS
(IN ACCORDANCE WITH QN 1805 OR ON 1050)



SAFETY/COMPLIANCE

TOTAL ON
DRAWING

5



FIT/FUNCTION

LAST NO.
USED

5

NO	TYPE	DESCRIPTION	RATIONALE	PAGE/ZONE
1	F/F	32.68	IMPROVE CONNECTOR SYSTEM MATING	16
2	F/F	29.00	INSURE PROPER RELEASE OF LEVER	16
3	F/F	15.25	INSURE FINAL MATE POSITION	17
5	F/F	POSITIONAL TOLERANCE (2 PLACES)	INSURE CONNECTOR SYSTEM MATIBILITY	20



PAGE TITLE
KPC BLOCK

DRAWING NUMBER

12642694

DWG STATUS

ST	REV	PD1
----	-----	-----


R	001	
---	-----	--

PAGE NUMBER

4 OF 22

P. No	MFG.	MFG. P/N	GM P/N	Effective Date	APPLICABLE COMPONENTS	Key Option	Wire Dress Option	Key Config.	Color	Status
					DESCRIPTION					
1	Molex	34575-0003	12582679	02JN03	WIRE HARNESS COVER	N/A	NA	N/A	BLACK	AVAILABLE
2	Molex	34576-0103	12666118	31JL15	HARN CONN ASM 49 CKT	A	0	1458	BLACK	ACTIVE
3	Molex	34576-0203	12650786	T.B.D.	HARN CONN ASM 49 CKT	B	0	1468	ST GRAY	NOT ACTIVE
4	Molex	34576-0303	12666120	31JL15	HARN CONN ASM 49 CKT	C	0	2467	BLUE	ACTIVE
5	Molex	34576-0403	12615660	T.B.D.	HARN CONN ASM 49 CKT	D	0	2367	BROWN	NOT ACTIVE
6	Molex	34576-0503	12615661	T.B.D.	HARN CONN ASM 49 CKT	E	0	2468	GREEN	NOT ACTIVE
7	Molex	34576-0603	12615662	T.B.D.	HARN CONN ASM 49 CKT	F	0	1357	NATURAL	NOT ACTIVE
8	Molex	34576-0703	12582680	11JN04	HARN CONN ASM 56 CKT	G	0	1358	BLUE	AVAILABLE
9	Molex	34576-0803	12582681	11JN04	HARN CONN ASM 56 CKT	H	0	2458	ST GRAY	AVAILABLE
10	Molex	34576-0903	12615658	T.B.D.	HARN CONN ASM 56 CKT	J	0	2457	BLACK	NOT ACTIVE
11	Molex	34576-1003	AVA77166	T.B.D.	HARN CONN ASM 56 CKT	K	0	2357	BROWN	NOT ACTIVE
12	Molex	34576-1103	AVA77167	T.B.D.	HARN CONN ASM 56 CKT	L	0	2368	GREEN	NOT ACTIVE
13	Molex	34576-1203	AVA77168	T.B.D.	HARN CONN ASM 56 CKT	M	0	2358	NATURAL	NOT ACTIVE
14	Molex	34576-1303	12666119	31JL15	HARN CONN ASM 49 CKT	A	9	1458	BLACK	ACTIVE
15	Molex	34576-1403	12650787	T.B.D.	HARN CONN ASM 49 CKT	B	9	1468	ST GRAY	NOT ACTIVE
16	Molex	34576-1503	12666121	31JL15	HARN CONN ASM 49 CKT	C	9	2467	BLUE	ACTIVE
17	Molex	34576-1603	12615663	T.B.D.	HARN CONN ASM 49 CKT	D	9	2367	BROWN	NOT ACTIVE
18	Molex	34576-1703	12615664	T.B.D.	HARN CONN ASM 49 CKT	E	9	2468	GREEN	NOT ACTIVE
19	Molex	34576-1803	12615665	T.B.D.	HARN CONN ASM 49 CKT	F	9	1357	NATURAL	NOT ACTIVE
20	Molex	34576-1903	12603600	11JN04	HARN CONN ASM 56 CKT	G	9	1358	BLUE	AVAILABLE
21	Molex	34576-2003	12603601	T.B.D.	HARN CONN ASM 56 CKT	H	9	2458	ST GRAY	NOT ACTIVE
22	Molex	34576-2103	12615659	T.B.D.	HARN CONN ASM 56 CKT	J	9	2457	BLACK	NOT ACTIVE
23	Molex	34576-2203	AVA77192	T.B.D.	HARN CONN ASM 56 CKT	K	9	2357	BROWN	NOT ACTIVE
24	Molex	34576-2303	AVA77193	T.B.D.	HARN CONN ASM 56 CKT	L	9	2368	GREEN	NOT ACTIVE
25	Molex	34576-2403	AVA77143	T.B.D.	HARN CONN ASM 56 CKT	M	9	2358	NATURAL	NOT ACTIVE
26	Molex	34851-0007	12644156	31AU15	HARN CONN ASM 18 CKT	G	0	1358	BLUE	ACTIVE
27	Molex	34851-0008	12644158	31AU15	HARN CONN ASM 18 CKT	H	0	2458	ST GRAY	ACTIVE
28	Molex	34851-0019	12644157	31AU15	HARN CONN ASM 18 CKT	G	9	1358	BLUE	ACTIVE
29	Molex	34851-0020	12644159	31AU15	HARN CONN ASM 18 CKT	H	9	2458	ST GRAY	ACTIVE
30	Molex	34736-2002	12642697	01AU10	MX64 RCPT TERM Ag 18/20 GAGE B (RIGHT PAYOFF)	N/A	N/A	N/A	N/A	AVAILABLE
31	Molex	34736-2001	12642696	01AU10	MX64 RCPT TERM Ag 22 GAGE B (RIGHT PAYOFF)	N/A	N/A	N/A	N/A	AVAILABLE
32	Molex	34586-0001	T.B.D.	11JN04	MX123 0.64MM GROMMET PLUG	N/A	N/A	N/A	NATURAL	AVAILABLE
33	Yazaki	7116-4150-02	12588066	02JN03	2.8mm YESC SEALED FEMALE TERMINAL TIN 20/22 GAGE (CABLE RANGE 0.30mm-0.60mm)	N/A	N/A	N/A	N/A	NOT ACTIVE
34	Yazaki	7116-4151-02	12588067	02JN03	2.8mm YESC SEALED FEMALE TERMINAL TIN 16/18 GAGE (CABLE RANGE 0.75mm-1.40mm)	N/A	N/A	N/A	N/A	NOT ACTIVE
35	Yazaki	7116-4152-02	12582685	02JN03	2.8mm YESC SEALED FEMALE TERMINAL TIN 14 GAGE (CABLE RANGE 1.50mm-2.50mm)	N/A	N/A	N/A	N/A	AVAILABLE
36	Yazaki	7158-3111-60	12588068	02JN03	2.8mm CABLE SEAL (wire O.D. range 1.20mm-1.90mm)	N/A	N/A	N/A	GREEN	NOT ACTIVE
37	Yazaki	7158-3112-70	12588069	02JN03	2.8mm CABLE SEAL (wire O.D. range 1.80mm-2.30mm)	N/A	N/A	N/A	YELLOW	NOT ACTIVE
38	Yazaki	7158-3113-40	12582686	02JN03	2.8mm CABLE SEAL (wire O.D. range 2.18mm-3.00mm)	N/A	N/A	N/A	WHITE	AVAILABLE
39	Yazaki	7158-3114-90	T.B.D.	02JN03	2.8mm YESC CAVITY PLUG	N/A	N/A	N/A	BLUE	AVAILABLE
40	FCI	33140138	12646399	10JA14	6.35mm APEX RCPT TERM Sn/Ag GRIP CODE-10 (6mm2) - Greased	N/A	N/A	N/A	N/A	AVAILABLE
41	FCI	33140135	12654556	10JA14	6.35mm APEX RCPT TERM Sn/Ag GRIP CODE-TBD (1mm2) - Greased	N/A	N/A	N/A	N/A	AVAILABLE
42	QSR	A-0549C	12646688	01SE14	6.35mm CABLE SEAL (FOR 6.0mm2 WIRE SIZE - 3.6 TO 4.2mm INSULATION OD)	N/A	N/A	N/A	WHITE	AVAILABLE
43	QSR	A-0549B	12654557	01SE14	6.35mm CABLE SEAL (FOR 0.75-1.25mm2 WIRE SIZE - 1.8 TO 2.3mm INSULATION OD)	N/A	N/A	N/A	BLUE	AVAILABLE
44	Molex	63811-4200	XX019825	02JN03	MX64 TERM HAND CRIMP TOOL	N/A	N/A	N/A	N/A	AVAILABLE
45	Molex	63813-1400	XX019826	02JN03	MX64 TERM SERVICE TOOL	N/A	N/A	N/A	N/A	AVAILABLE
46	Molex	63865-8000	XX019827	02JN03	MX64 CRIMP APPLICATOR with TOOL KIT 18/20 GAGE PAYOFF DIRECTION D (left payoff) (contact Molex for payoff detail)	N/A	N/A	N/A	N/A	AVAILABLE
47	Molex	63865-8070	XX019828	02JN03	MX64 APPLICATOR TOOL KIT 18/20 GAGE	N/A	N/A	N/A	N/A	AVAILABLE
48	Molex	63865-8100	XX019829	02JN03	MX64 CRIMP APPLICATOR with TOOL KIT 22 GAGE PAYOFF DIRECTION D (left payoff) (contact Molex for payoff detail)	N/A	N/A	N/A	N/A	AVAILABLE
49	Molex	63865-8170	XX019830	02JN03	MX64 APPLICATOR TOOL KIT 22 GAGE	N/A	N/A	N/A	N/A	AVAILABLE
50	SPX	J35616-64	T.B.D.	02JN03	0.64mm PROBE TOOL (for rcpt)	N/A	N/A	N/A	N/A	AVAILABLE
51	SPX	J35616-64A	T.B.D.	02JN03	0.64mm PROBE TOOL WITH EXT (for rcpt)	N/A	N/A	N/A	N/A	AVAILABLE
52	SPX	J35616-65	T.B.D.	02JN03	0.64mm PROBE TOOL WITH EXT (for pin)	N/A	N/A	N/A	N/A	AVAILABLE
53	SPX	J35616-4A	T.B.D.	02JN03	2.8mm PROBE TOOL (for rcpt)	N/A	N/A	N/A	N/A	AVAILABLE
54	YAZAKI	X39899-J374	12094430	02JN03	2.8mm TERM SERVICE TOOL	N/A	N/A	N/A	N/A	AVAILABLE
55	TQ1	7000-1001	N/A	01FE15	18CKT PASS THROUGH ADAPTERS	N/A	N/A	N/A	BLACK	AVAILABLE
56	TQ1	7000-1004	N/A	01FE15	49CKT PASS THROUGH ADAPTERS	N/A	N/A	N/A	BLACK	AVAILABLE
57	TQ1	79917-0060	N/A	02JA08	56CKT PASS THROUGH ADAPTERS	N/A	N/A	N/A	BLACK	AVAILABLE
58	Molex	63813-1500	J-38125-217	01SE14	6.35mm APEX TERM SERVICE TOOL	N/A	N/A	N/A	N/A	AVAILABLE

* MX123 WIRE HARNESS COVER MATES TO ANY 18/49/56 CKT MX123 HARN CONN ASSY SHOWN ON THIS TABLE

	PAGE TITLE	DRAWING NUMBER	DWG STATUS			PAGE NUMBER
	COMPONENT TABLE	12642694	ST	REV	PDI	5 of 22
			R	001		

NOTES: UNLESS OTHERWISE SPECIFIED

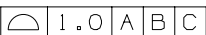
1. MATERIAL FOR INTERFACE:

- A. RESIN:
 - 1. 30% G.F. PBT; 20% MAX. (BY WEIGHT) REGRIND.
 - 2. MATING CONNECTOR INTERFACE PART COLOR MUST BE SAME AS MATCHING KEYED HARNESS CONNECTOR ASSEMBLY.
 - 3. MUST BE VALIDATED FOR INDIVIDUAL DEVICE APPLICATION REQUIREMENTS.
- B. 0.64MM PINS:
 - 1. BASE MATERIAL: COPPER ALLOY; CONDUCTIVITY >= 28% IACS AT 20°C; TENSILE STRENGTH >= 635 N/mm²; SURFACE ROUGHNESS R_a 6 MAX.
 - 2. PLATING FINISH: SILVER (Ag). PLATING TO BE 1.9-3.3 μm ELECTRODEPOSITED SEMI-BRIGHT SILVER OVER 1.25-2.25 μm DUCTILE SULPHAMATE NICKEL PER NOTE 1(D).
 - 3. ANTI-TARNISH: SYNTHETIC HYDROCARBON CONTACT SURFACE FINISH OR EQUIVALENT APPLIED WITHOUT VOID TO CONTACT AREA (MIN 3.7mm FROM PIN TIP).
- C. 2.8MM BLADE:
 - 1. BASE MATERIAL: COPPER ALLOY; CONDUCTIVITY >= 28% IACS AT 20°C; TENSILE STRENGTH >= 350 N/mm²; SURFACE ROUGHNESS R_a 6 MAX.
 - 2. PLATING FINISH: TIN. PLATING TO BE 2.5-5.0 μm ELECTRODEPOSITED TIN, MATTE FINISH OVER 1.25-2.5μm DUCTILE SULPHAMATE NICKEL PER NOTE 1(D).
- D. 6.3MM BLADE:
 - 1. BASE MATERIAL: COPPER ALLOY; CONDUCTIVITY >= 50% IACS AT 20°C;
 - 2. PLATING FINISH: SILVER (Ag) PLATING TO BE 1.9-3.3 μm ELECTRODEPOSITED SEMI-BRIGHT SILVER, OVER 1.25-2.5μm DUCTILE SULPHAMATE NICKEL PER NOTE 1(D) WITH ENVIRONMENTAL BARRIER OR TIN/SILVER (ELECTRO-DEPOSITED), UNDERPLATE 0.5-2.0 μm NICKEL OR COPPER. TOP PLATING: 1.0-3.0 μm (SILVER RANGE 3.75-X.XX NO ANTI-TARNISH COATING REQUIRED).

E. PLATING REQUIREMENTS:


- 1. SILVER PLATING
 - a. 99.5% PURE SEMI-BRIGHT WITH NO ORGANIC BRIGHTNERS OR CHROMATES.
- 2. NICKEL PLATING
 - a. ELECTRODEPOSITED DUCTILE SULFAMATE NICKEL WITH A NON-BRIGHTENED FINISH. NO ORGANIC OR BRIGHTENING AGENTS SHALL BE ALLOWED.
 - b. SHALL ONLY BE USED AS AN UNDERLYING PLATING AND MAY NOT BE USED AS AN ELECTRICAL CONTACT SURFACE PLATING.
 - c. SHALL BE NODULE FREE WHEN VIEWED AT 10X MAGNIFICATION IN MEASURED IN CONTACT SURFACE AREA PLUS 0.5MM PERIMETER AROUND THE CONTACT SURFACE AREA.
 - d. ALL PLATINGS SHALL HAVE A 1.0% MAXIMUM BY WEIGHT IMPURITIES. IMPURITIES ARE DEFINED AS ALL ELEMENTS NOT THE PRIMARY PLATING OR HARDENING AGENT IF APPLICABLE, AS DETERMINED BY WET CHEMICAL ANALYSIS OR AUGER METHOD. NO SINGLE IMPURITY SHALL EXCEED 0.1% MAXIMUM BY WEIGHT.
- 3. TESTING
 - a. THICKNESS TO BE MEASURED IN CONTACT SURFACE AREA PLUS 0.5MM PERIMETER AROUND THE CONTACT SURFACE AREA AS DESIGNATED IN THE DRAWING. THICKNESS SHALL BE DETERMINED BY METHOD OF X-RAY (XRF).
 - b. PLATING ADHESION SHALL BE TESTED BY A BEND TEST FOR ALL METALS. THE TEST SAMPLE SHALL BE BENT 90 DEGREES TO DETERMINE DEPOSIT ADHESION. TESTING SHALL BE COMPLETED IN ACCORDANCE WITH ASTM SPEC B571.

2. DESIGN - GENERAL:

- A. THIS IS A 100% CAD GENERATED PART. THE CAD MATHEMATICAL DATA IS THE MASTER FOR THIS PART. WHERE DIMENSIONS ARE SPECIFIED ON THE DRAWING, THE DRAWING IS THE AUTHORITY FOR DIMENSIONAL VALUES. FOR DIMENSIONAL OR ANY INFORMATION NOT SHOWN ON THIS DRAWING, ANALYZE THE CAD MODEL.
- B. DIMENSIONS OBTAINED FROM THE DIGITAL MODEL ARE BASIC:
 - 1. FOR RELATIONSHIPS BETWEEN FEATURES WHEN ESTABLISHED BY GEOMETRIC TOLERANCES.
 - 2. FOR THE FORM OF A FEATURE WHEN CONTROLLED BY A PROFILE TOLERANCE.
 - 3. FOR THE SIZE, FORM AND/OR RELATIONSHIP BETWEEN FIXED DATUM TARGETS.
- C. DIMENSIONS OBTAINED FROM THE DIGITAL MODEL ARE ROUNDED TO TWO DECIMAL PLACES (PER IEEE/ASTM SI 10-2002)
- D. VIEWS AND SECTIONS ON THIS DRAWING ARE IN ACCORDANCE WITH GM DCS SECTION C3.
- E. THE DIGITAL MODEL MUST CORRESPOND TO THE RELEASE LEVEL SHOWN IN THE PART BLOCK ON THIS DOCUMENT.
- F. TOLERANCES:
 - 1. LINEAR
 - 0.X ± 0.30
 - 0.XX ± 0.10
 - 0.XXX ± 0.10
 - 2. ANGULAR X° ± 3°
 - 3.  1.0 A B C
- G. MINIMUM WALL THICKNESS REQUIRED: 1.3mm.
- H. CORNERS SHOWN AS SHARP TO BE R 0.2 MAX.
- J. LETTERING SHALL BE 0.15 MAX RAISED IN 0.20 MAX RECESS PAD. THIS INCLUDES MATERIAL CODE, RECYCLING CODE, CAVITY ID AND DATE CODE.
- K-1. PARTS MUST BE FREE OF DISCOLORATION, SALT RESIDUE AND OTHER IMPERFECTIONS THAT AFFECT FIT OR FUNCTION.
- K-2. SCRATCHES OR DENTS NOT TO EXCEED 0.013mm IN DEPTH.
- L. FOLLOWING PRODUCTION CODES TO BE PERMANENTLY MARKED & HUMAN READABLE TO A LETTER HEIGHT OF 1.5 ± 0.5MM X 0.3 MAX DEEP
 - 1. MATERIAL #: XXXXX-XXXX
 - 2. DATE CODE: JJJY (JULIAN DAY, LAST DIGIT OF YEAR)
 - 3. INSPECTION MACHINE CODE + SERIAL #: X_XXXXX

3. DESIGN - MANUFACTURING:

- A. DRAFT TO BE WITHIN TOLERANCE.
- B. ALLOWABLE FLASH MAX 0.2 HIGH X MAX 0.13 THICK.
- C. ALLOWABLE PARTING LINE MISMATCH 0.2 MAX.
- D. EJECTOR PINS MARK TO BE FLUSH TO 0.25 MAX DEPRESSED.
- E. ALLOWABLE GATE VESTIGE FLUSH TO 0.25 MAX PROTRUSION.
- F. NO EXTERNAL MOLD RELEASE AGENT ALLOWED DURING MANUFACTURING.
- G. STEEL THAT FORMS THE INDICATED SURFACE MUST BE POLISHED WITH A DIAMOND FINISH (SPI A-2) OVER THE FULL PERIPHERY OF THE TOOL. SURFACE MUST HAVE NO MISMATCH.
- H. ANY PROCESS LUBRICANT REMAINING ON THE TERMINAL MUST NOT VARNISH OR DEGRADE IT'S ELECTRICAL PERFORMANCE UP TO A MAXIMUM CLASS AMBIENT TEMPERATURE PER SAE USCAR-2 FOR 1008 HOURS. PROCESS LUBRICANTS SHOULD BE APPROVED BY THE RESPONSIBLE ENGINEER.
- J. OPTIONAL FEATURES PROVIDED FOR AUTOMATION.
- K. PART MUST BE FREE FROM BURRS AND SHARP EDGES, WHICH MIGHT BE DETRIMENTAL TO SATISFACTORY ASSEMBLY, SAFE HANDLING OR FUNCTION OF PART.
- L. PARTS AS DELIVERED TO ASSEMBLY SHALL BE CLEAN AND FREE OF DEBRIS, RESIDUAL ABRASIVE MATERIAL AND CORROSION PRODUCTS ADVERESLY AFFECTING FUNCTION OR APPEARANCE.
- M. RESTRICTED AND REPORTABLE SUBSTANCES FOR PARTS PER GMW3059.

	PAGE TITLE	DRAWING NUMBER	DWG STATUS			PAGE NUMBER	
	NOTES		12642694	ST	REV		PDI
			R	001			6 of 22

NOTES: UNLESS OTHERWISE SPECIFIED

4. SYSTEM REQUIREMENTS:

- A. HARNESS CONNECTOR IS COMPATIBLE WITH THE FOLLOWING WIRE SIZE NO'S:
 SAE 14AWG, MEETING SAE J1128
 SAE 18AWG, MEETING SAE J1128, MAX O.D. OF 2.06 MM
 SAE 20AWG, MEETING SAE J1128
 SAE 22AWG, MEETING SAE J1128, MIN O.D. OF 1.47 MM
 ISO 6mm², FLR2X-A/T-125 PER GM 15626 (FEB 2008)
- B. CABLE TIE SPECIFICATIONS:
 1. CABLE TIE:
 TENSILE RATING: 220N / (50lbs) MIN
 TIE LENGTH: 186mm MIN
 TIE WIDTH: 4.75mm MAX
 MATERIAL: NYLON
 2. INSTALLATION:
 CABLE TIE TENSION: 190N MIN
 3. DRESSED WIRE BUNDLE PACKAGING: SEE FIG. 1
- C. WHEN MATED WITH COMPONENT CONNECTOR INTERFACE AND/OR DRESS COVER, HARNESS CONNECTOR SYSTEM CONFORMS TO THE FOLLOWING:
 1. SAE/USCAR-2, REV: 3 APRIL, 2001; CLASS 3
 2. FIELD CORRELATED LIFE TEST, SAE/USCAR-20, NOV. 2001
 3. GMW #3191 AUGUST 22, 2000 (DRAFT); TEMPERATURE CLASS 3 (145°C), SEALING CLASS 1 (HIGH PRESSURE SPRAY), VIBRATION CLASS 2 (ON BODY)
 4. TPA USER FORCES (FULLY POPULATED WITH TERMINALS)
 a. REMOVAL FROM LOCK TO PRE-SET: <=120N
- D. WIRE SPECIFICATIONS:
 1. WIRE SURFACE MUST BE FREE OF SCRATCHES, GROOVES OR DENTS WHERE FUNCTIONAL

5. TERMINAL CURRENT RATINGS:

ALL TESTING DONE IN ACCORDANCE WITH USCAR-2 REV5 SECTION 5.3

- A. MX64 RCPT TERM
 1. MX64 RCPT TERM Ag 18/20 GAGE CRIMPED TO SAE WIRE SIZE NO.18 AND MATED TO MX123 0.64MM PIN: 11.3 AMPS
 2. MX64 RCPT TERM Ag 22 GAGE CRIMPED TO SAE WIRE SIZE NO.22 AND MATED TO MX123 0.64MM PIN:8.5 AMPS

WIRE	CURRENT RATING			
	23 deg.C	85 deg.C	105 deg.C	125 deg.C
18AWG	11.3A	11.3A	9.5A	6.6A
20AWG	10.0A	10.0A	8.3A	5.7A
22AWG	8.6A	8.6A	7.1A	5.0A

- B. 2.8MM RCPT TERM
 1. 2.8MM RCPT TERM TIN 14 GAGE CRIMPED TO SAE WIRE SIZE NO.14 AND MATED TO MX123 2.8MM BLADE: 25.6 AMPS
- C. 6.3MM RCPT TERM - FCI APEX
 1. 6.3MM RCPT TERM TIN/SILVER CRIMPED TO 6.0MM² WIRE AND MATED TO MOLEX 6.3MM² BLADE (Sn/Ag PLATED):36A AT 125°C
6. CONTACT MOLEX AUTOMOTIVE FOR AVAILABLE CUSTOM PATTERNS OF CAVITIES OPEN FOR CIRCUITS

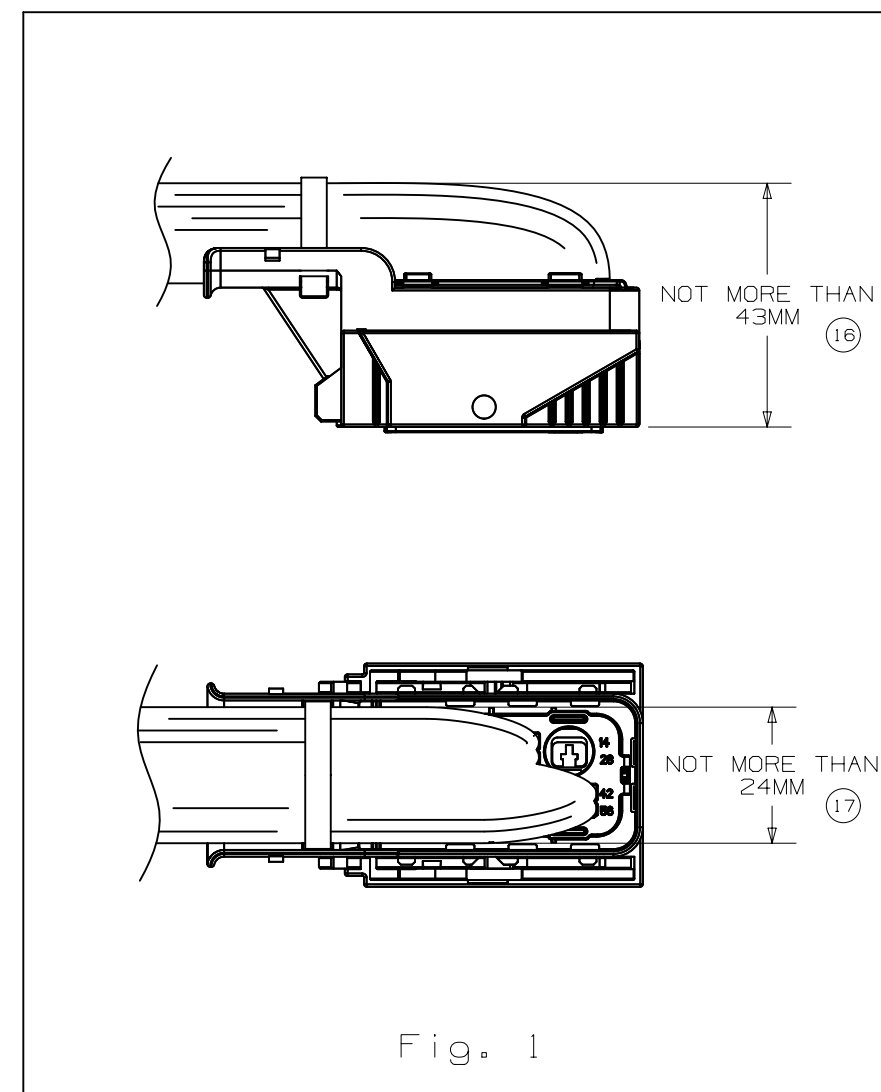
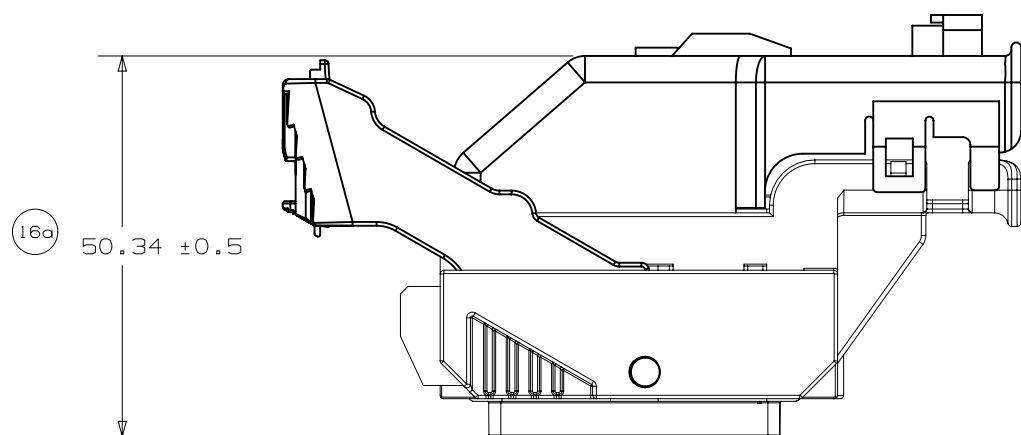


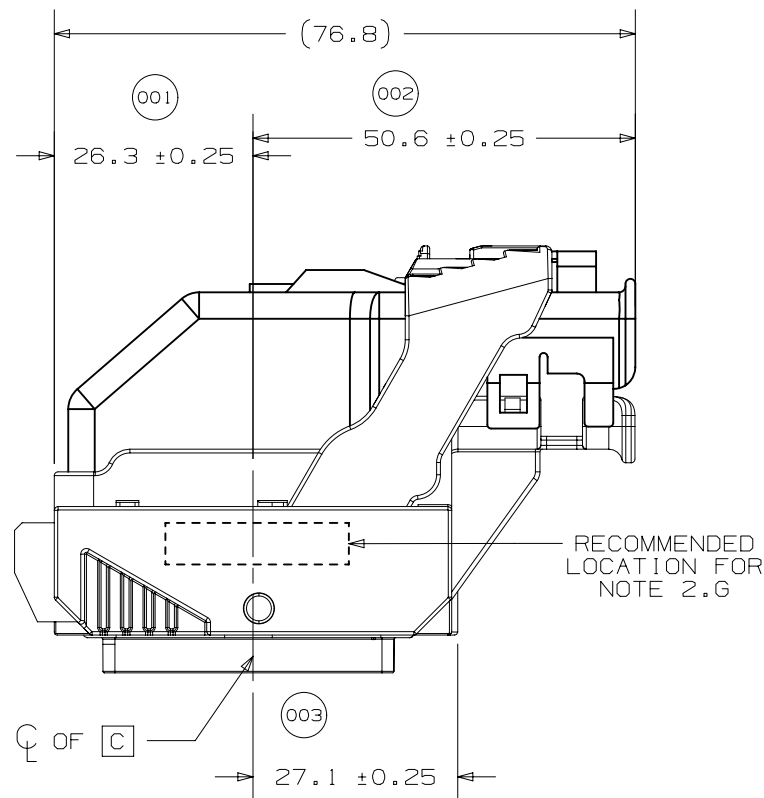
PAGE TITLE
 NOTES

DRAWING NUMBER
 12642694

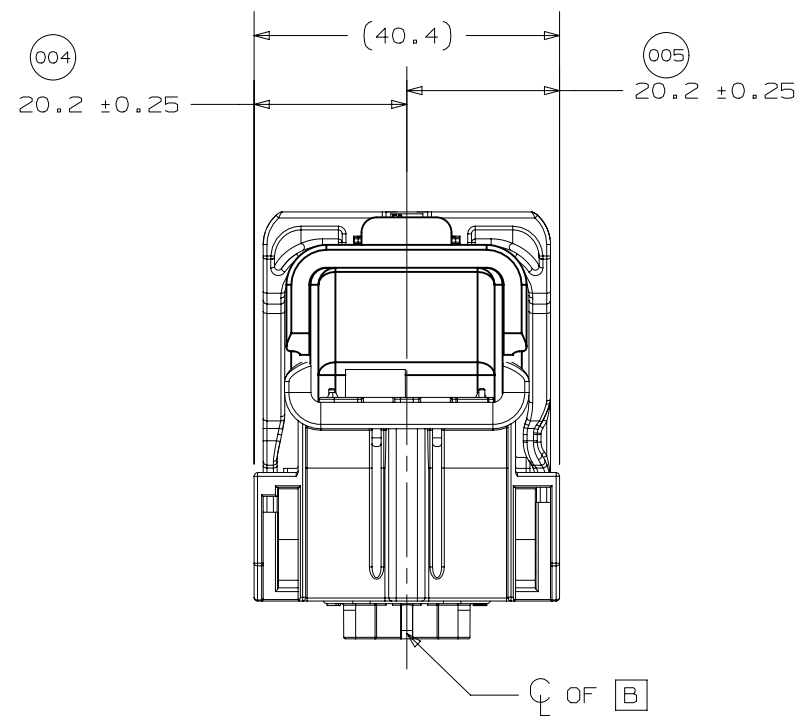
DWG STATUS		
ST	REV	PDI
R	001	

PAGE NUMBER
 7 of 22

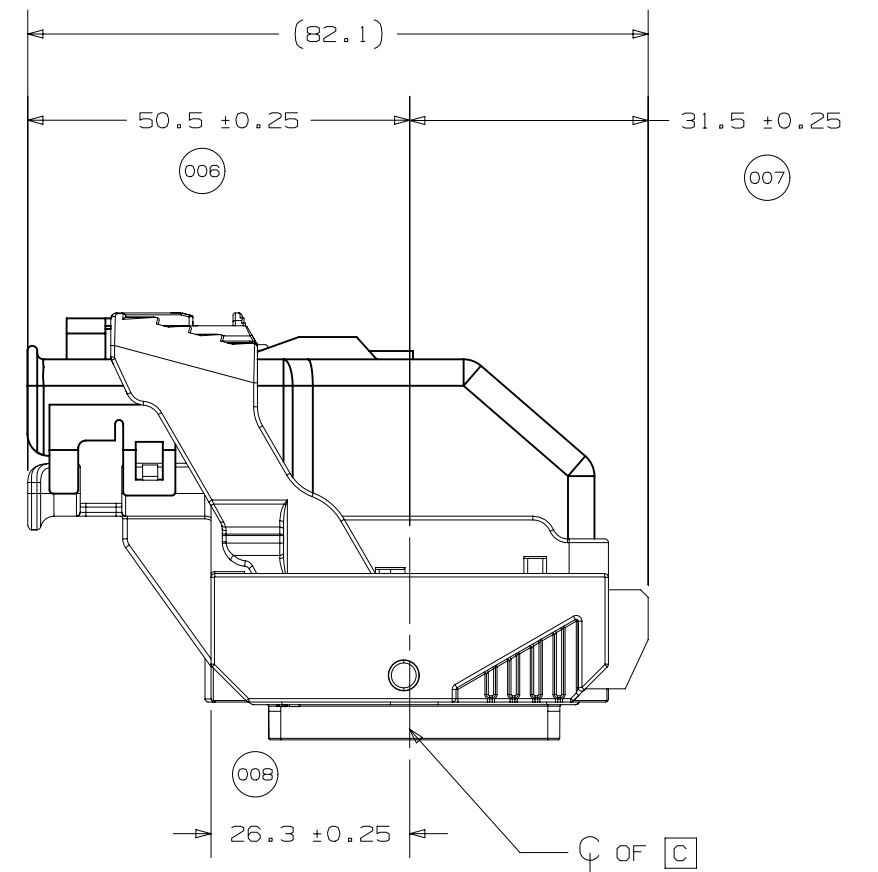




WIRE DRESS OPTION 0 SHOWN

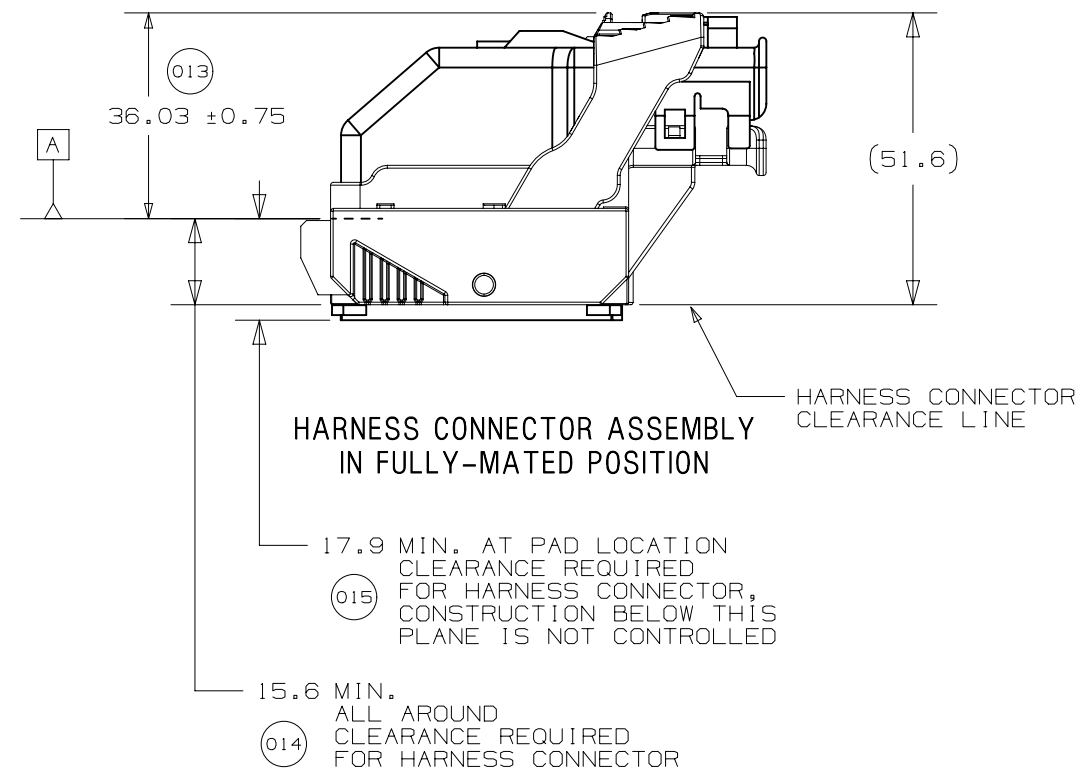
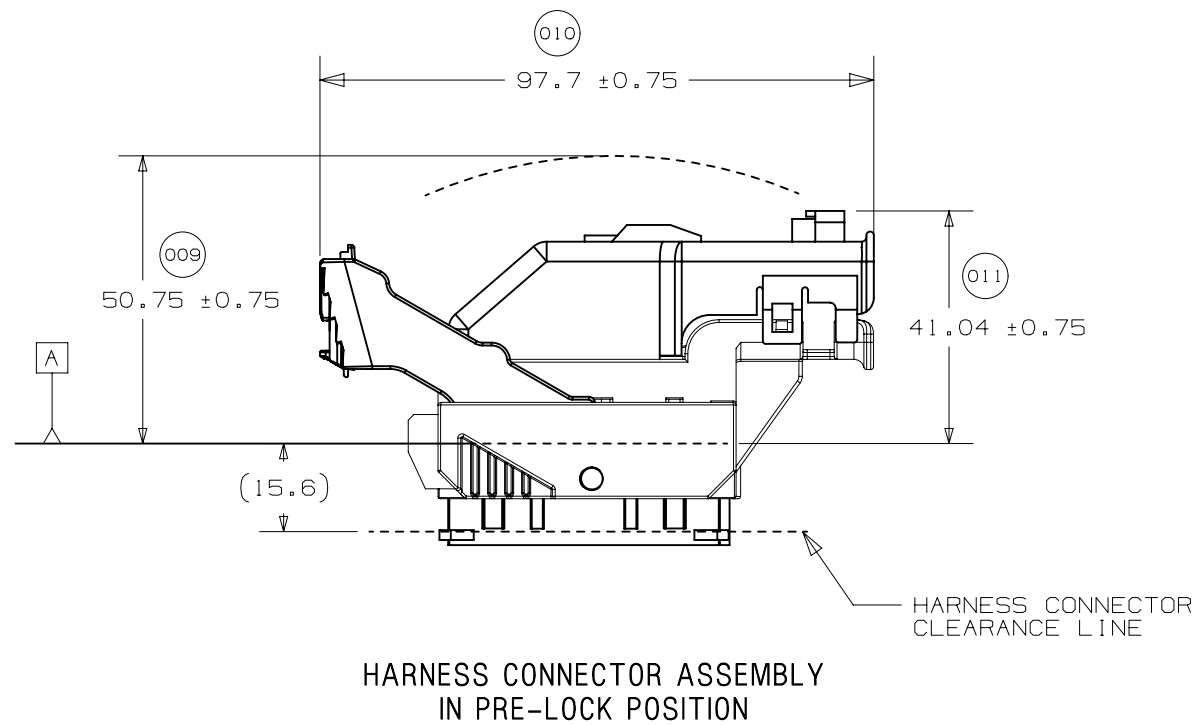
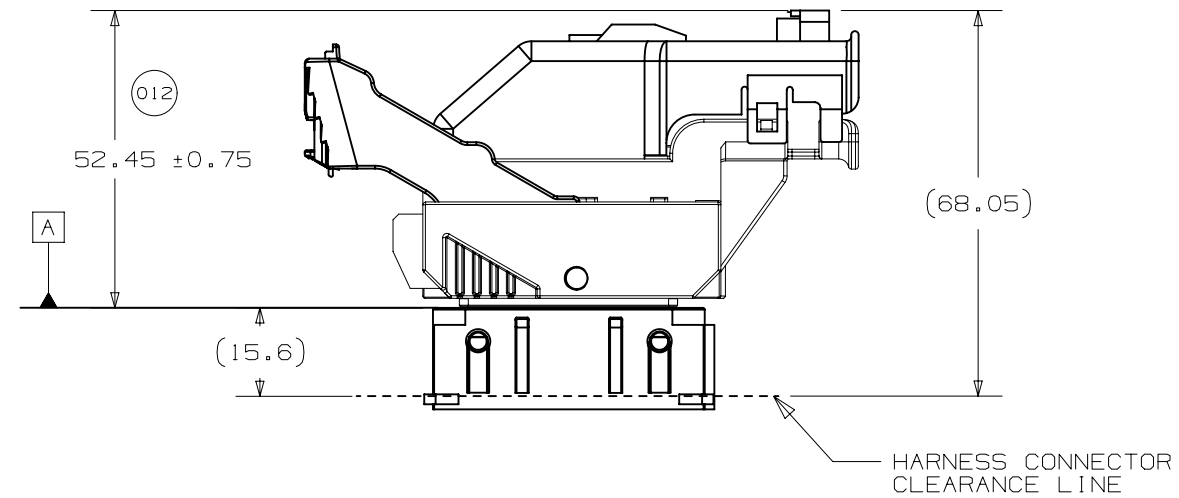


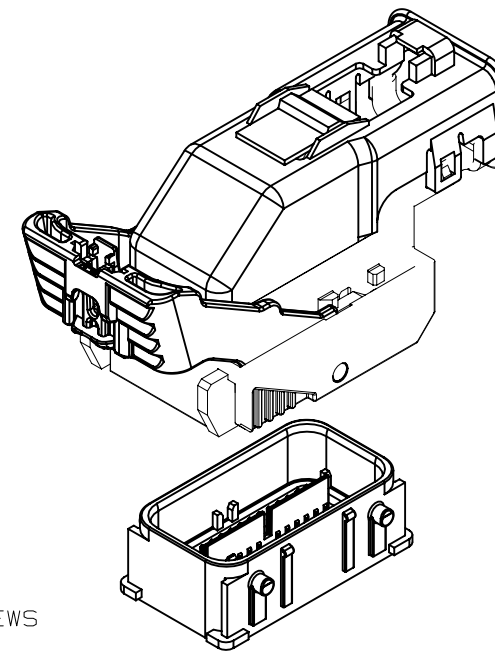
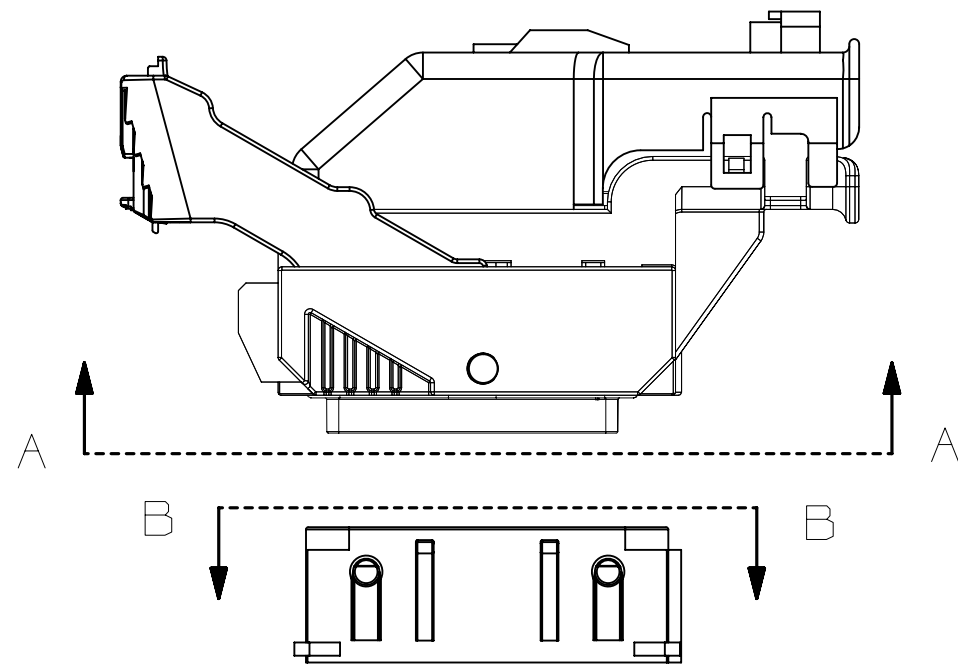
WIRE DRESS OPTION 0 SHOWN



WIRE DRESS OPTION 9 SHOWN

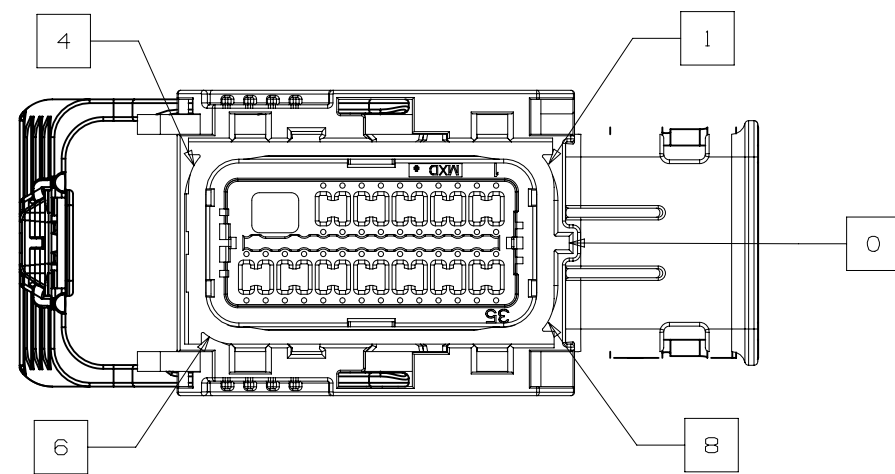




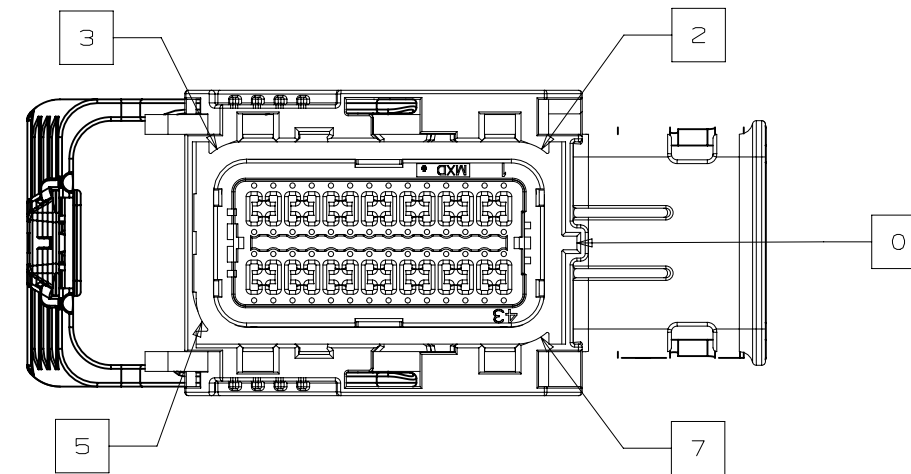


NOTE: REFERENCE THE COMPONENT TABLE FOR KEY OPTIONS AND CONFIGURATIONS

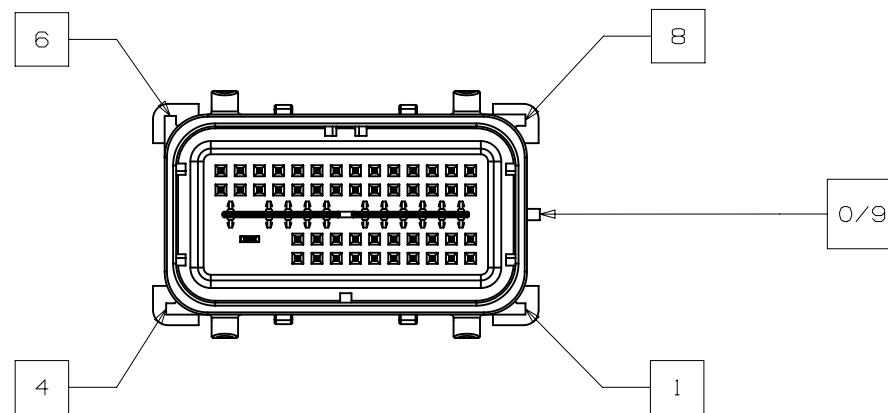
INTERFACE SIDE SHOWN IN ALL SECTION VIEWS



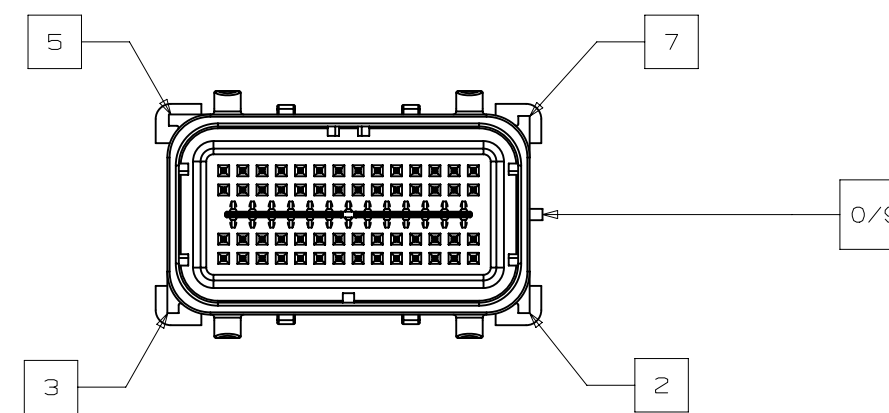
SECTION A-A
KEY OPTION B SHOWN



SECTION A-A
KEY OPTION K SHOWN



SECTION B-B
KEY OPTION B SHOWN



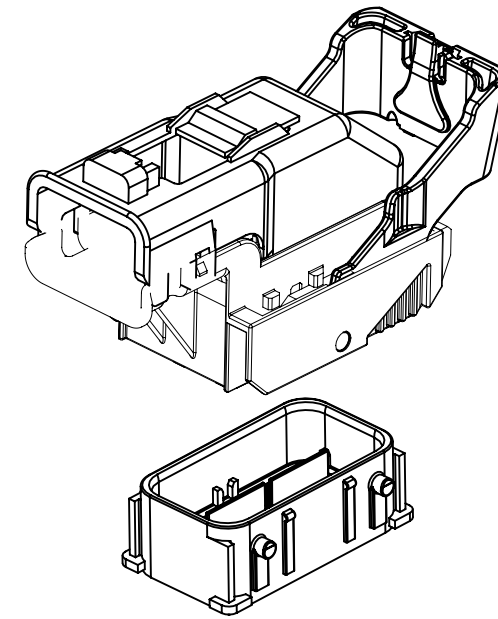
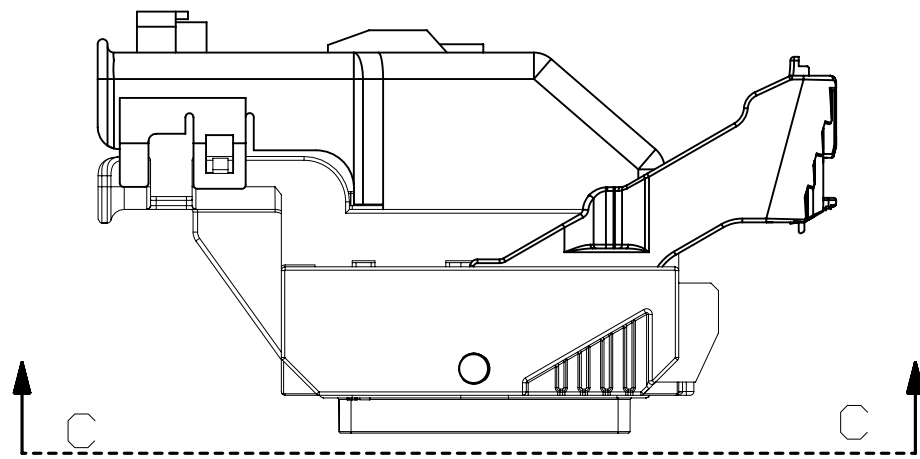
SECTION B-B
KEY OPTION K SHOWN



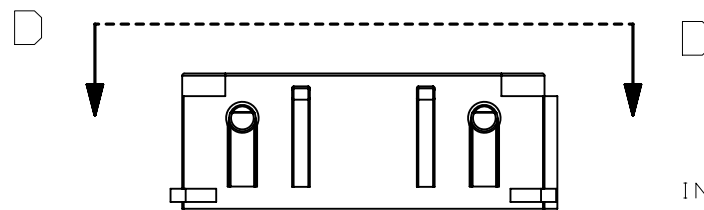
PAGE TITLE
KEY ID REF - WIRE DRESS OPTION 0

DRAWING NUMBER
12642694

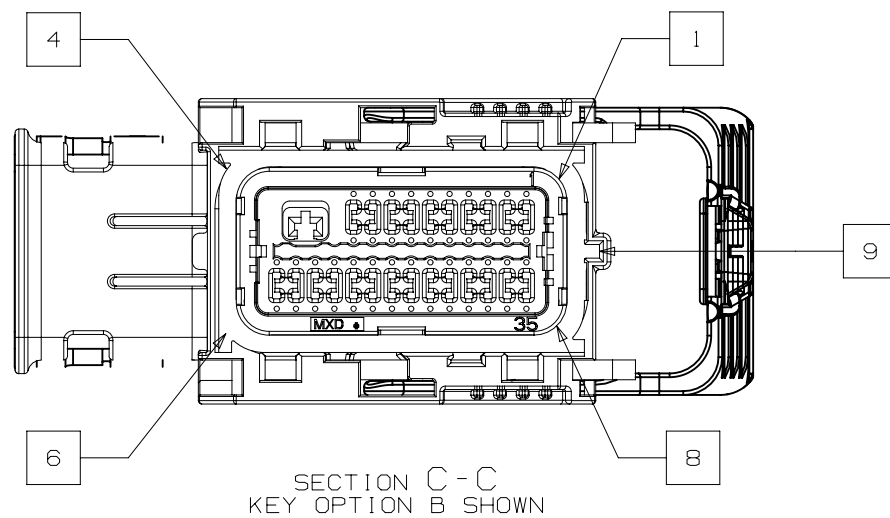
DWG STATUS			PAGE NUMBER	
ST	REV	PD1	11	OF 22
R	001			



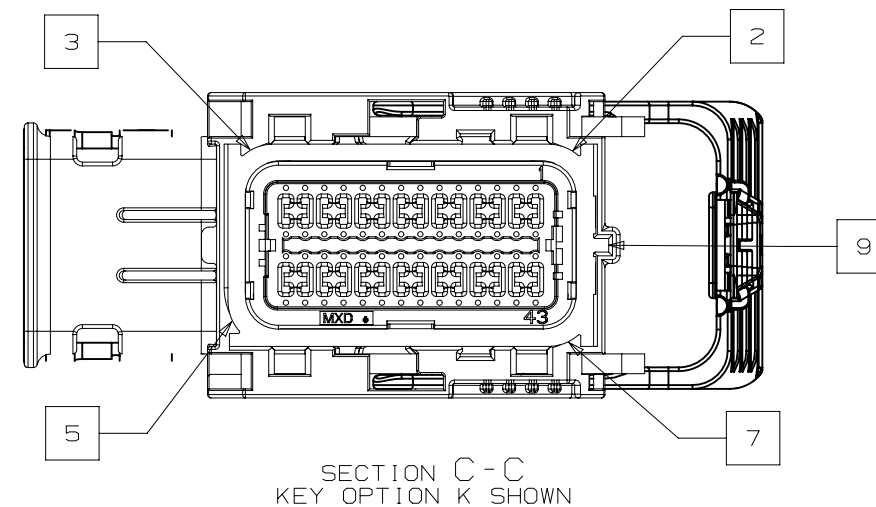
NOTE: REFERENCE THE COMPONENT TABLE FOR KEY OPTIONS AND CONFIGURATIONS



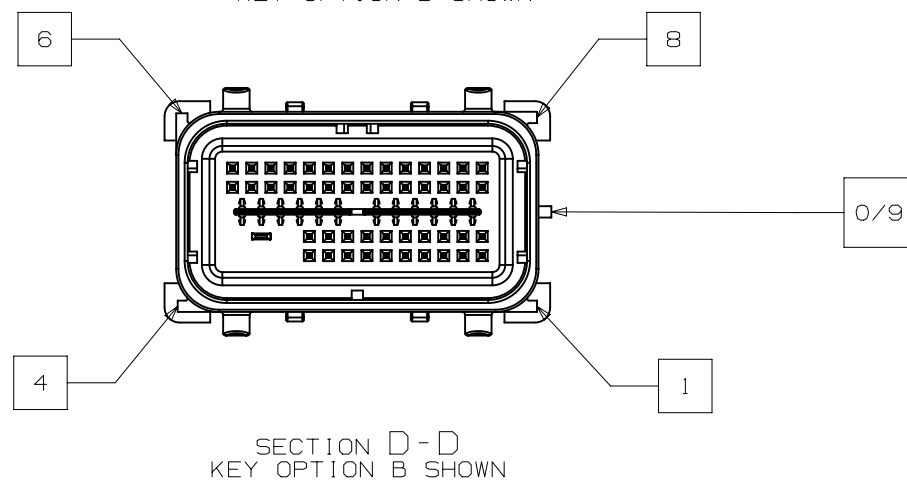
INTERFACE SIDE SHOWN ON ALL SECTION VIEWS



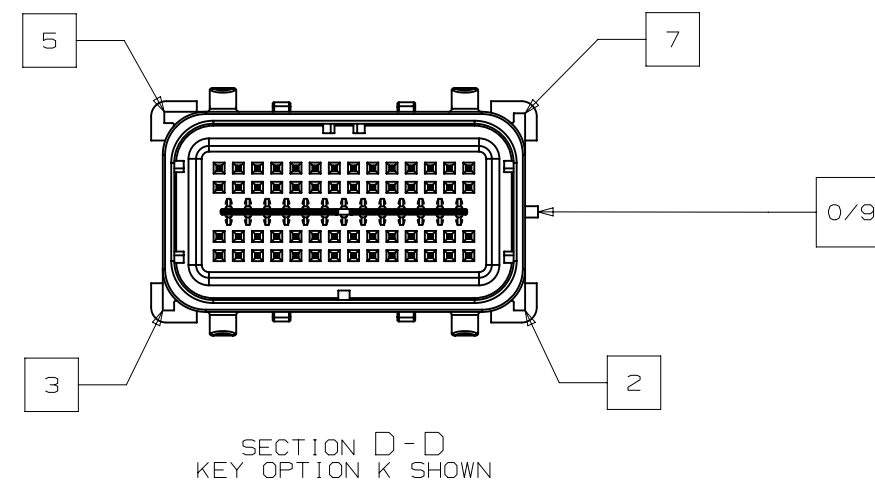
SECTION C-C
KEY OPTION B SHOWN



SECTION C-C
KEY OPTION K SHOWN



SECTION D-D
KEY OPTION B SHOWN



SECTION D-D
KEY OPTION K SHOWN

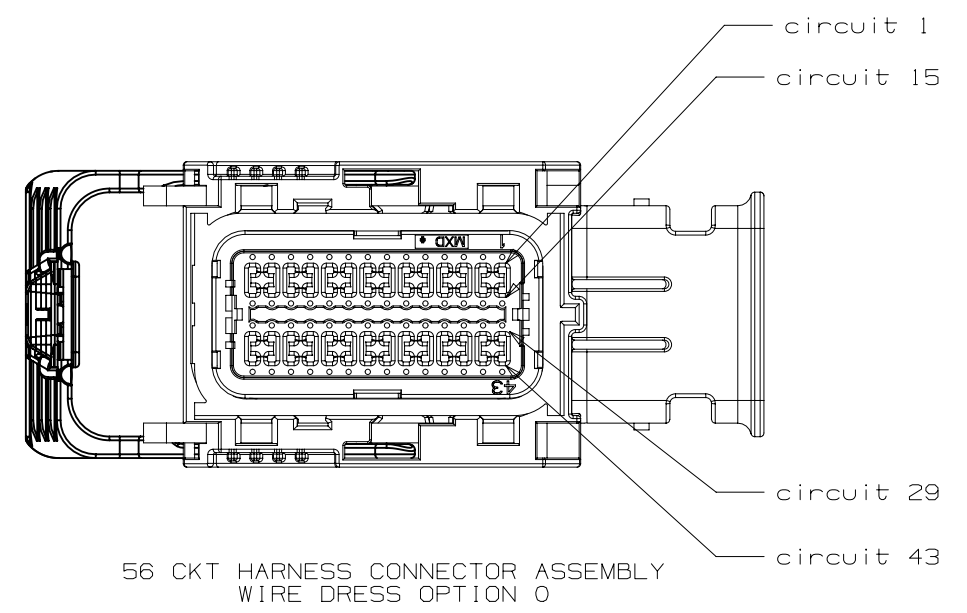
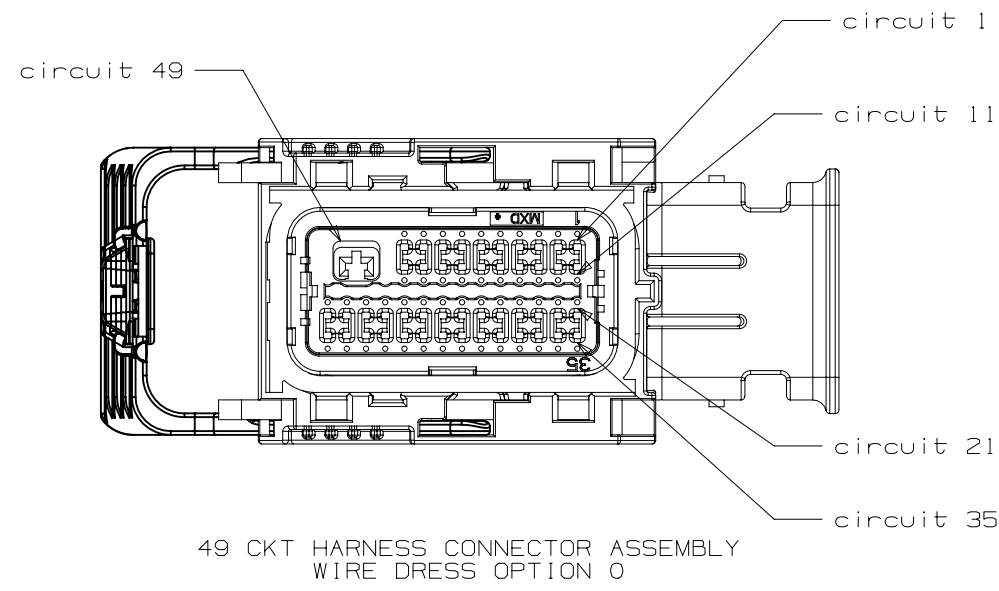


PAGE TITLE
KEY ID REF - WIRE DRESS OPTION 9

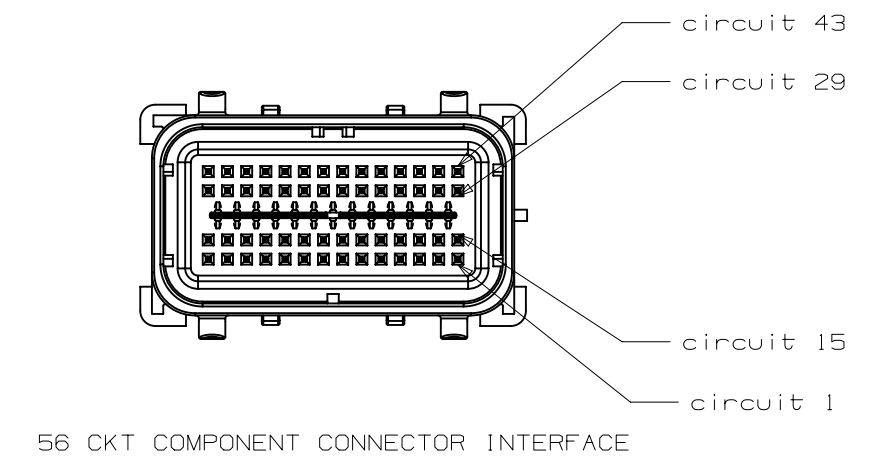
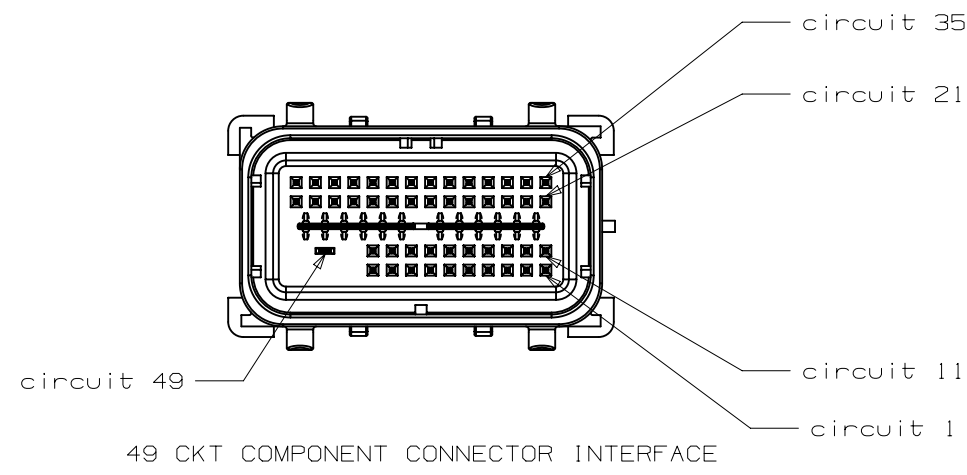
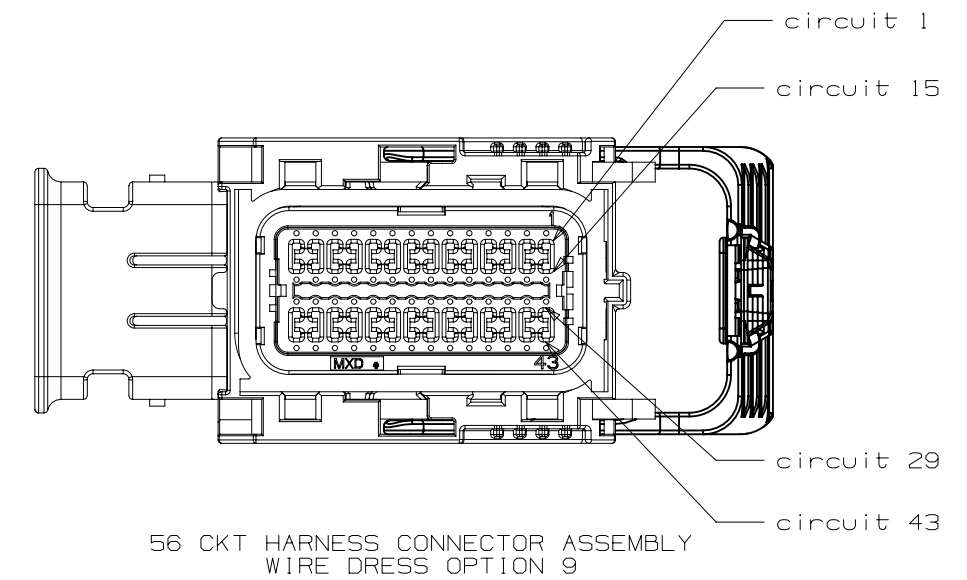
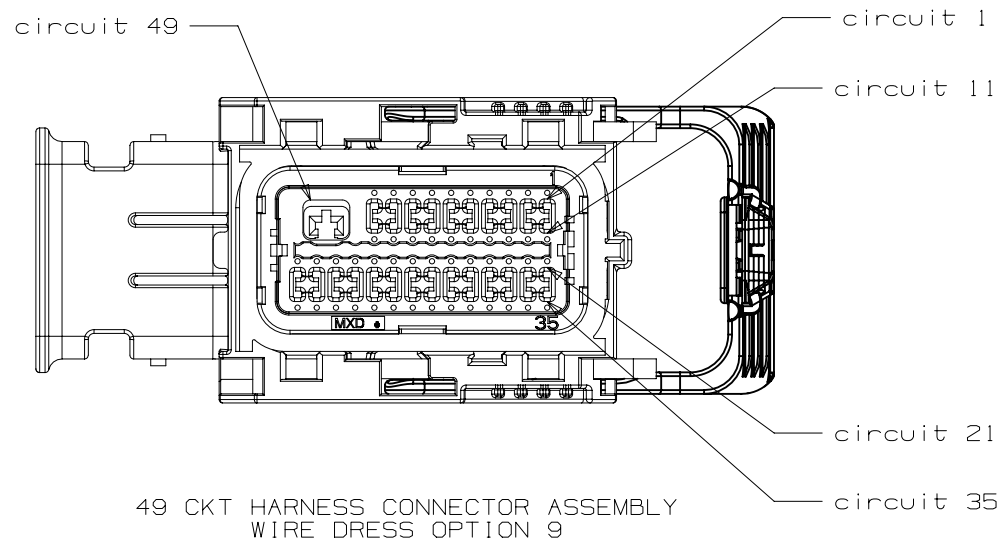
DRAWING NUMBER
12642694

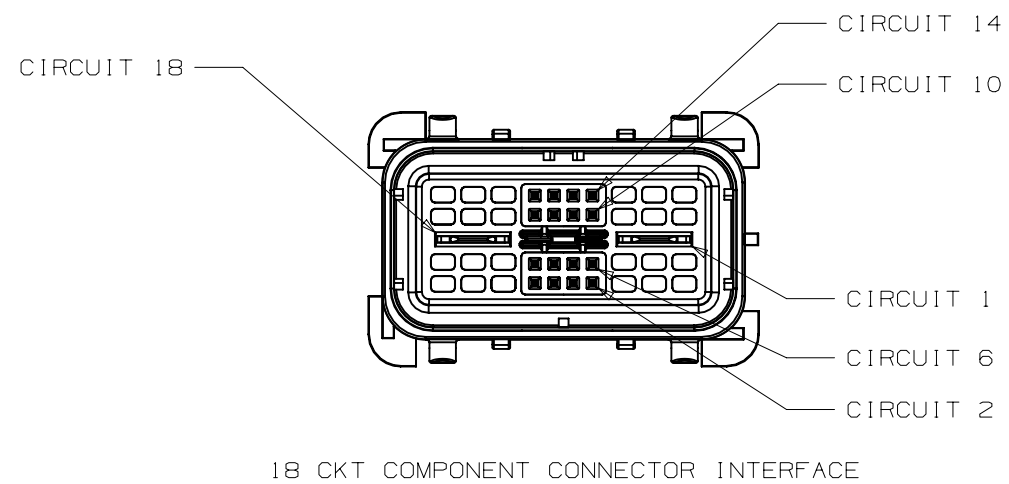
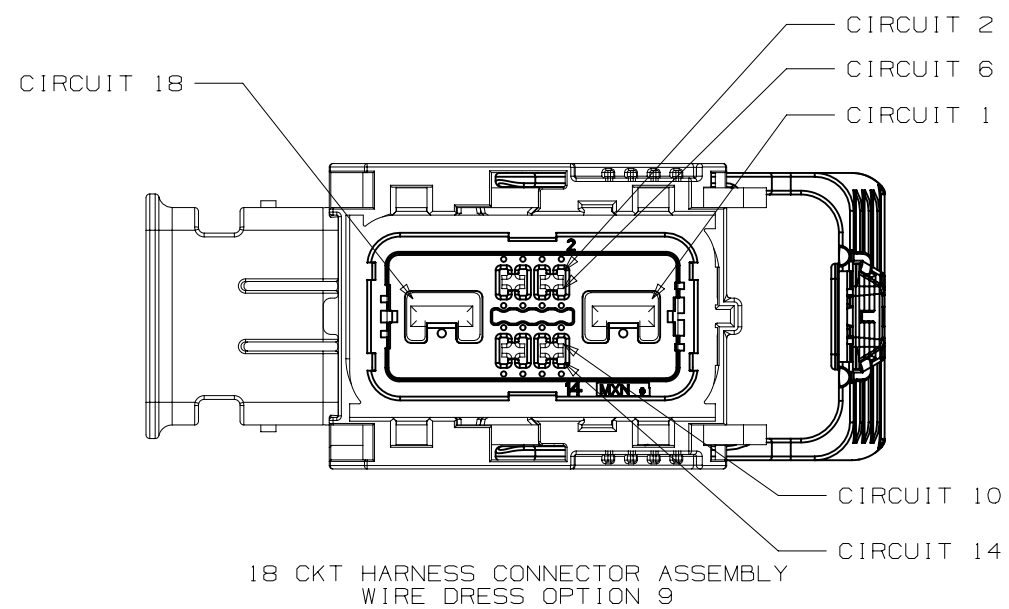
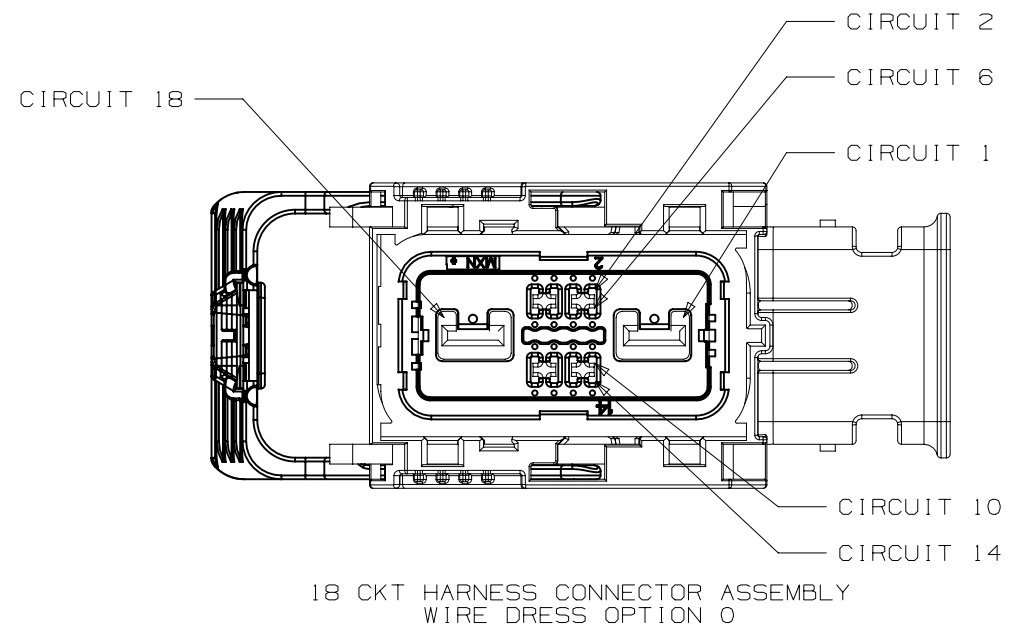
DWG STATUS		
ST	REV	PD1
R	001	

PAGE NUMBER
12 OF 22



INTERFACE SIDE SHOWN ON ALL VIEWS





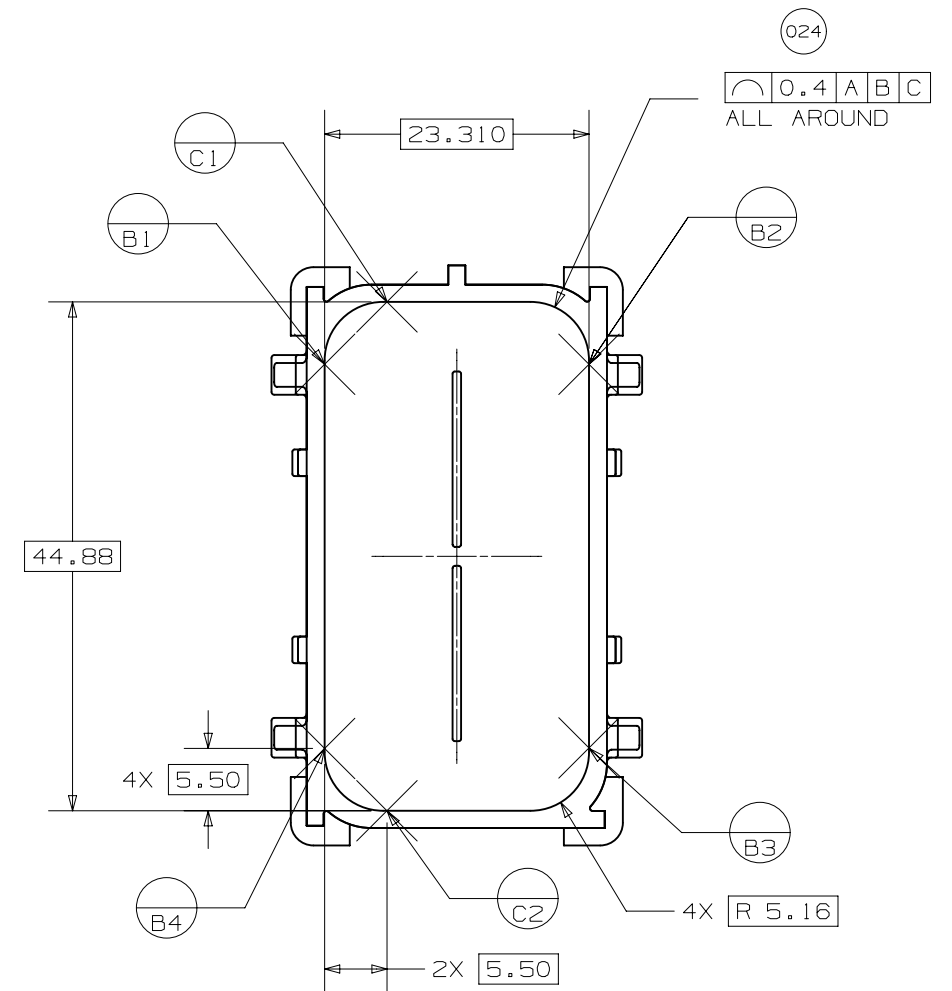
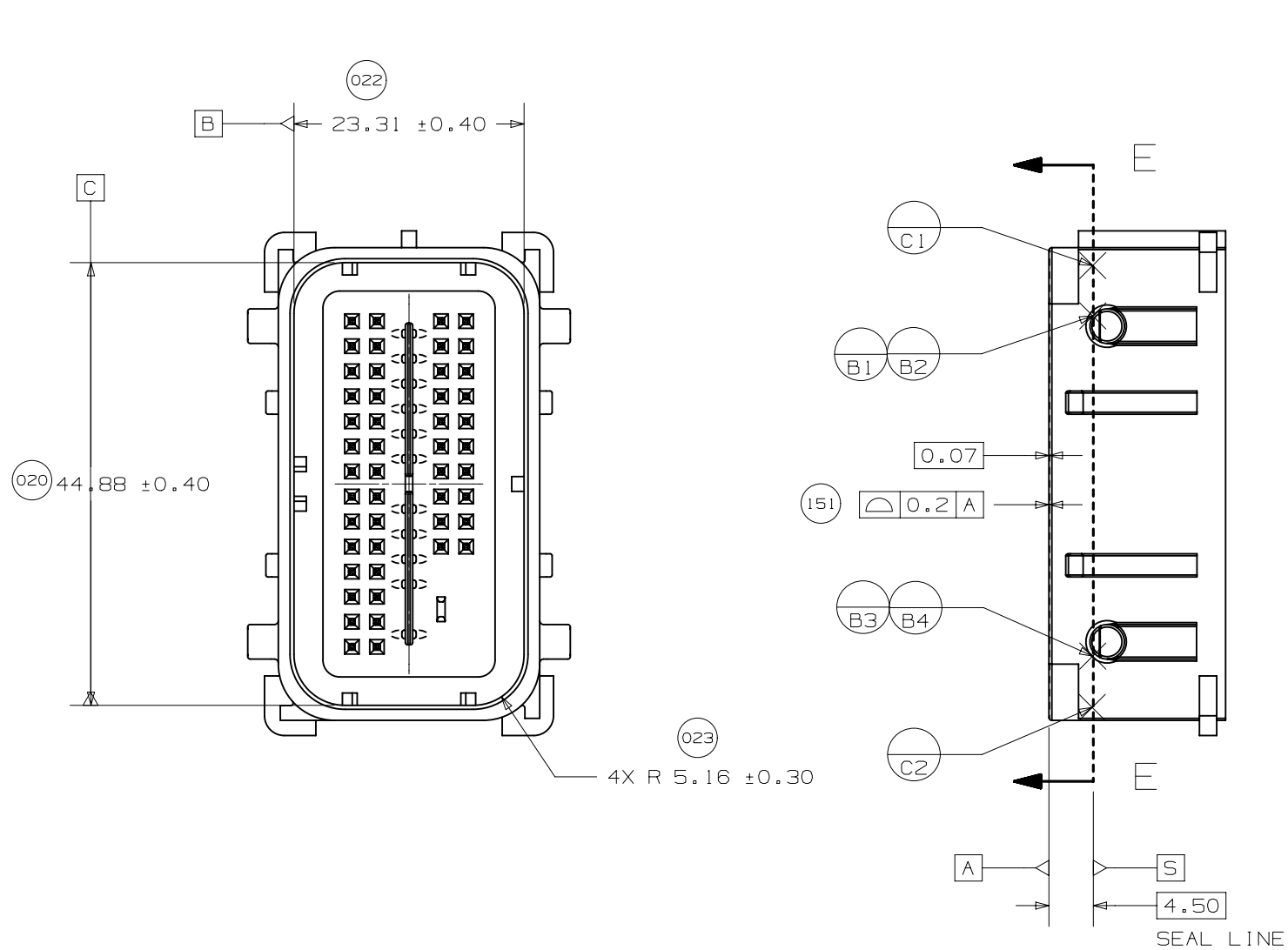
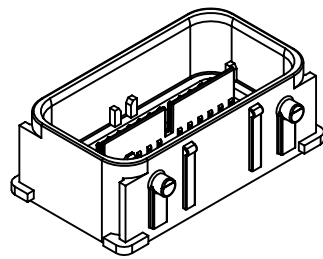
INTERFACE SIDE SHOWN ON ALL VIEWS



PAGE TITLE
CIRCUIT CONFIGURATIONS

DRAWING NUMBER
12642694

DWG STATUS			PAGE NUMBER	
ST	REV	PDI	14	OF 22
R	001			



SECTION E-E
(AT SEAL LINE)

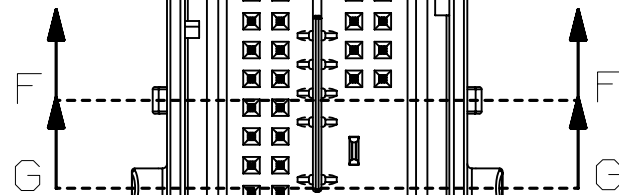
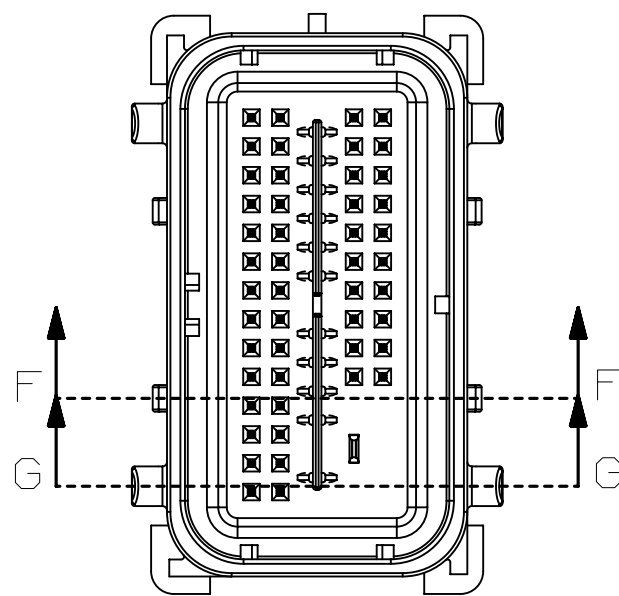
UNLESS SPECIFIED, TOLERANCE OF THE DEVICE INTERFACE TO BE $\nabla 0.13$ A B C



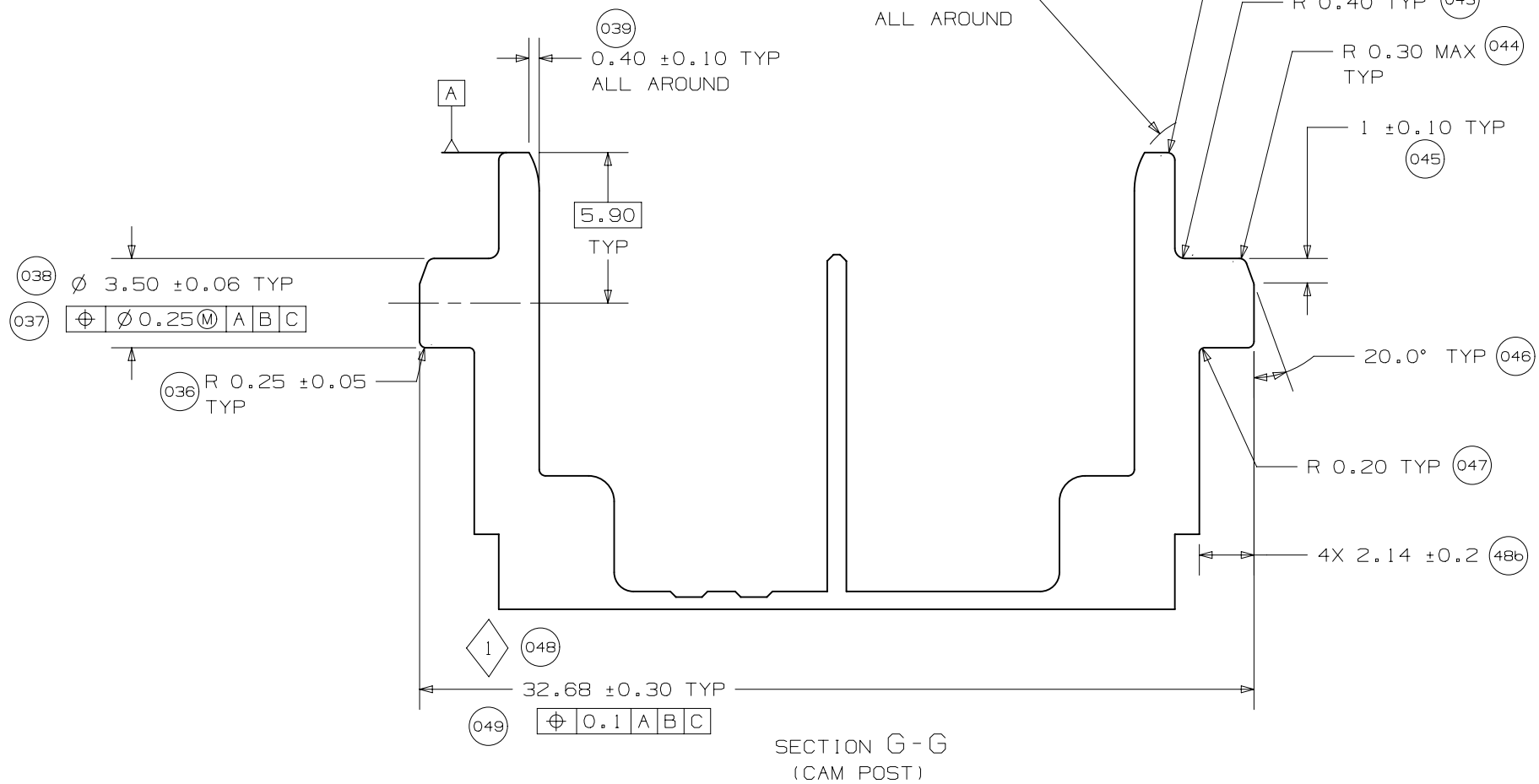
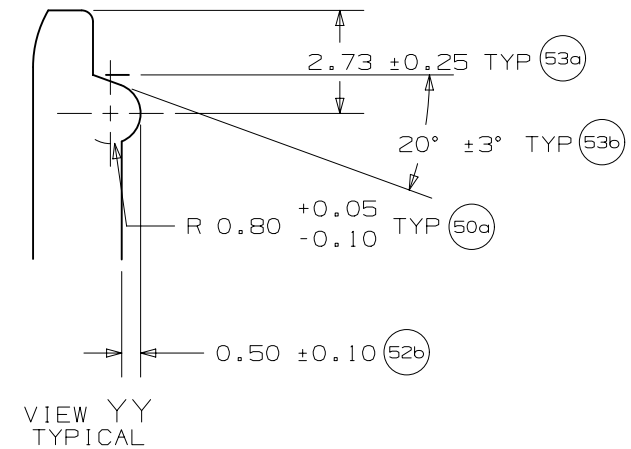
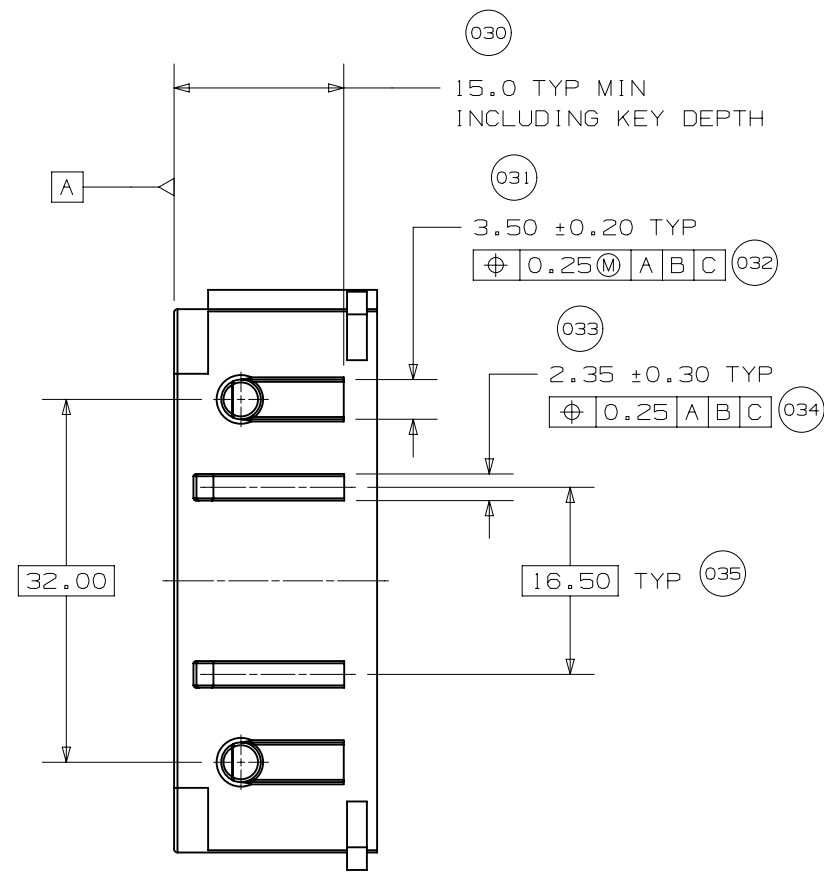
PAGE TITLE
COMPONENT CONNECTOR INTERFACE

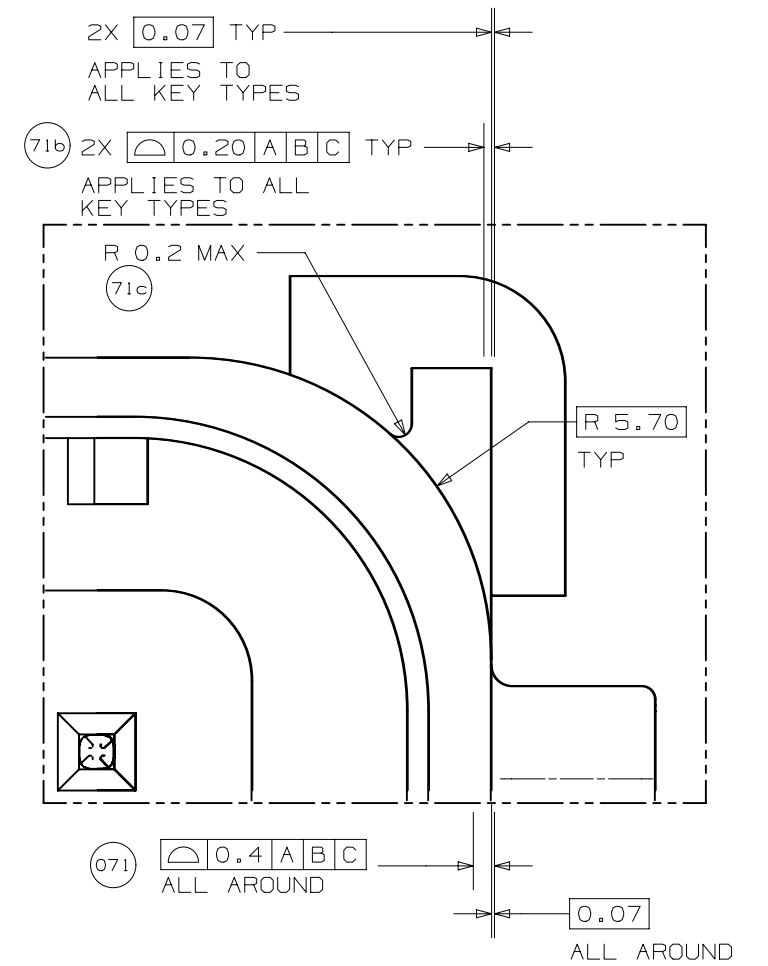
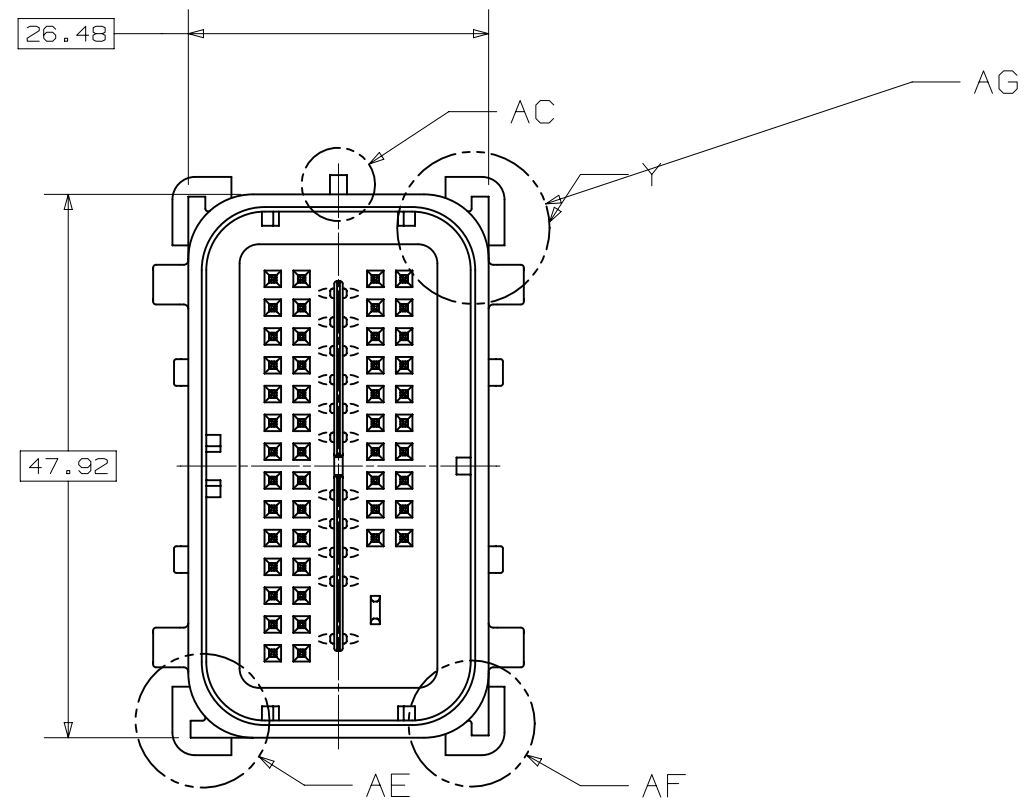
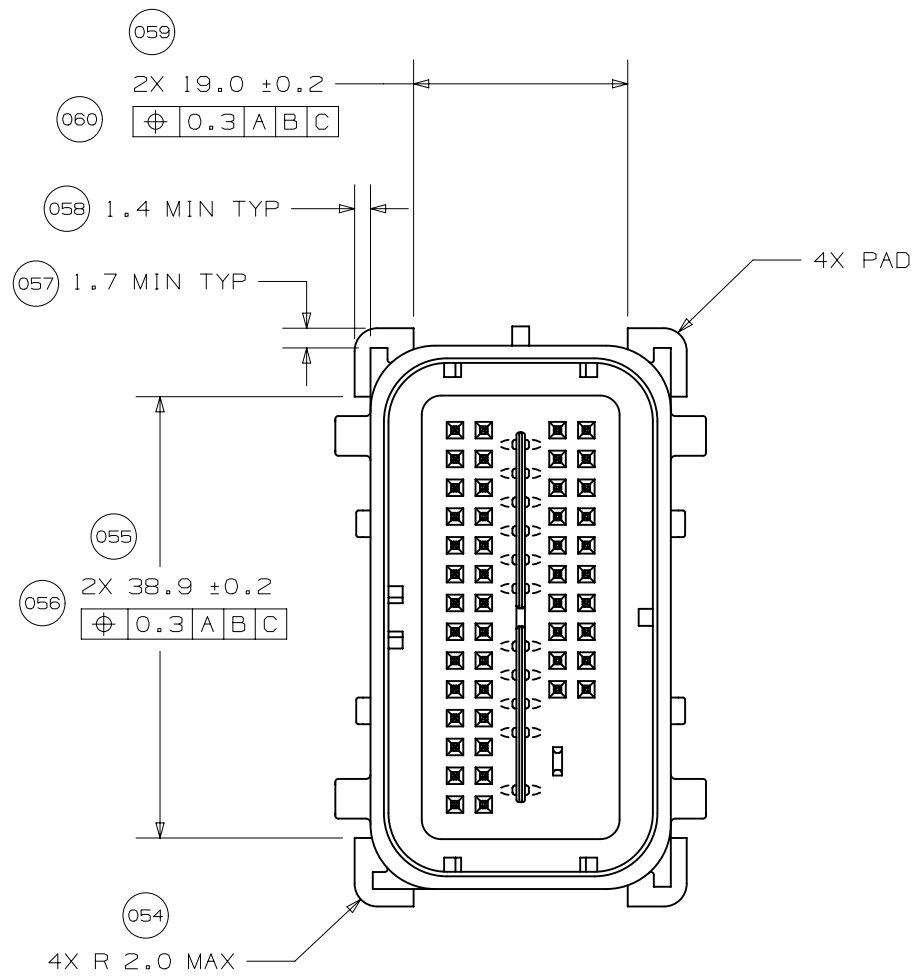
DRAWING NUMBER
12642694

DWG STATUS			PAGE NUMBER
ST	REV	PD1	
R	001		15 of 22

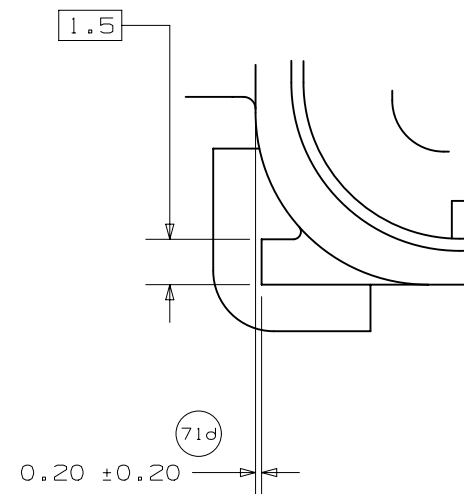
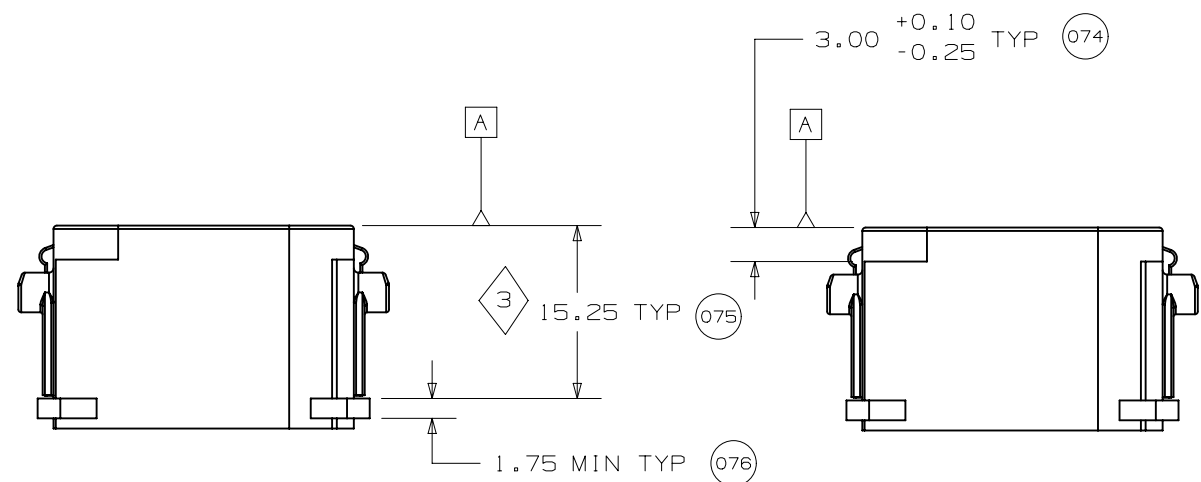


SECTION F - F
(RELEASE FEATURE)

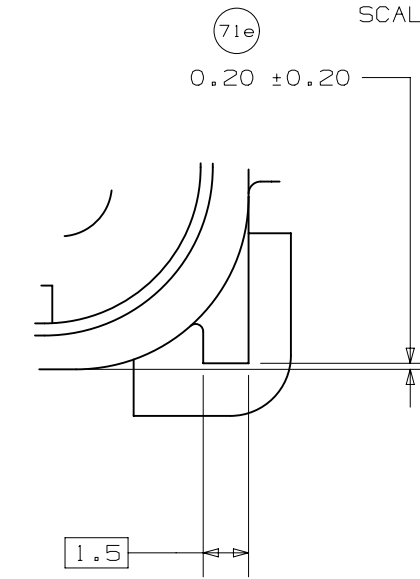




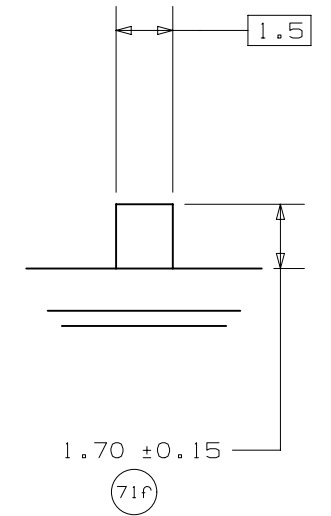
DETAIL Y
SCALE 7:1



VIEW AE
KEY TYPE 2



VIEW AF
KEY TYPE 1



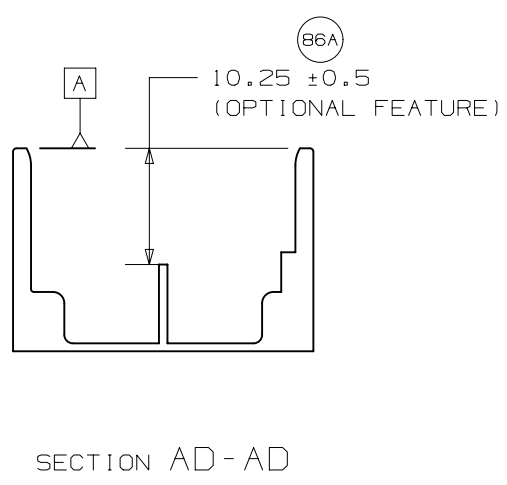
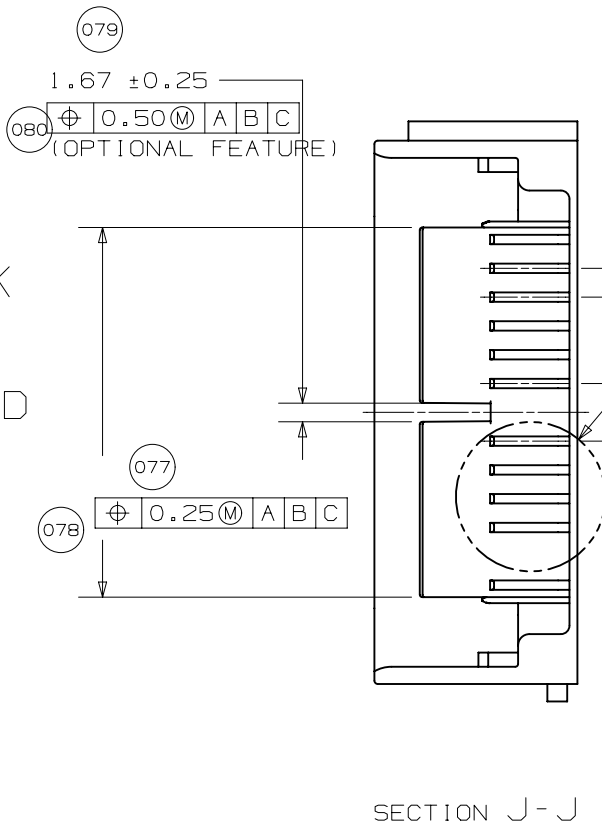
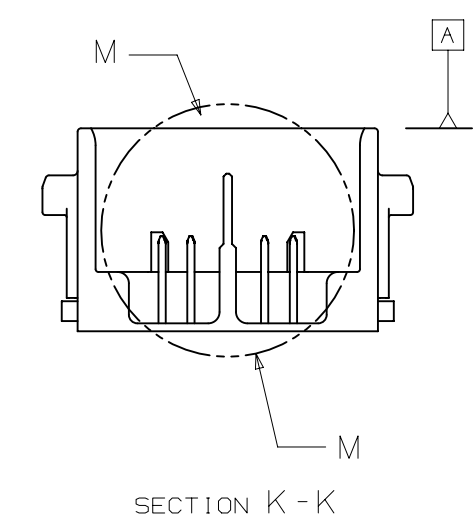
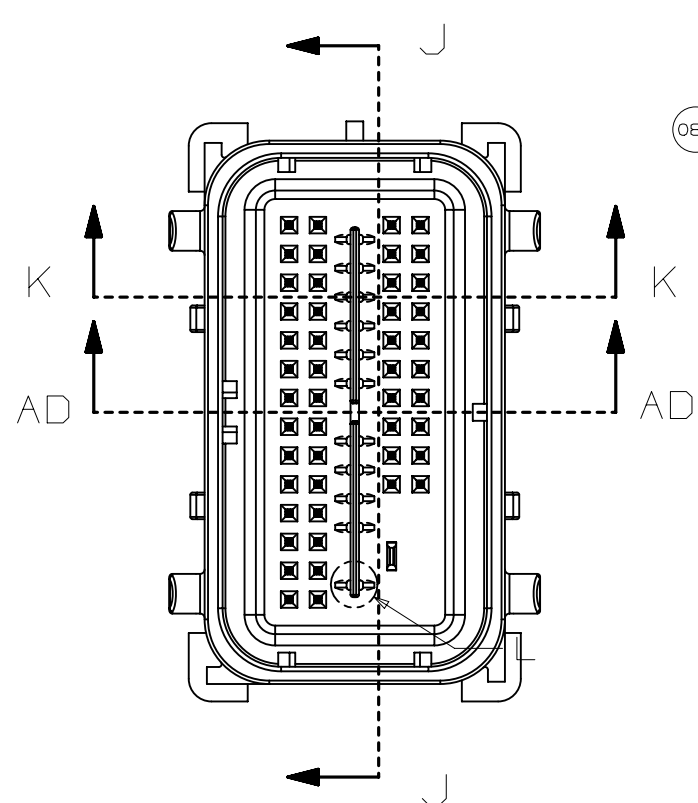
VIEW AC
KEY TYPE 3



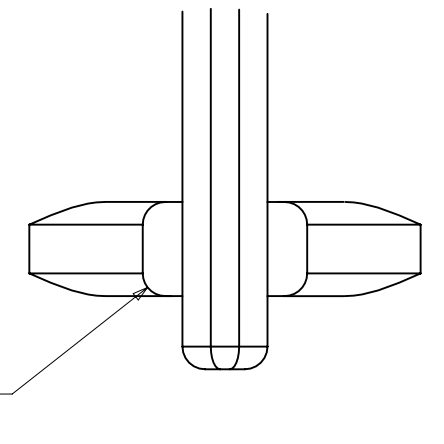
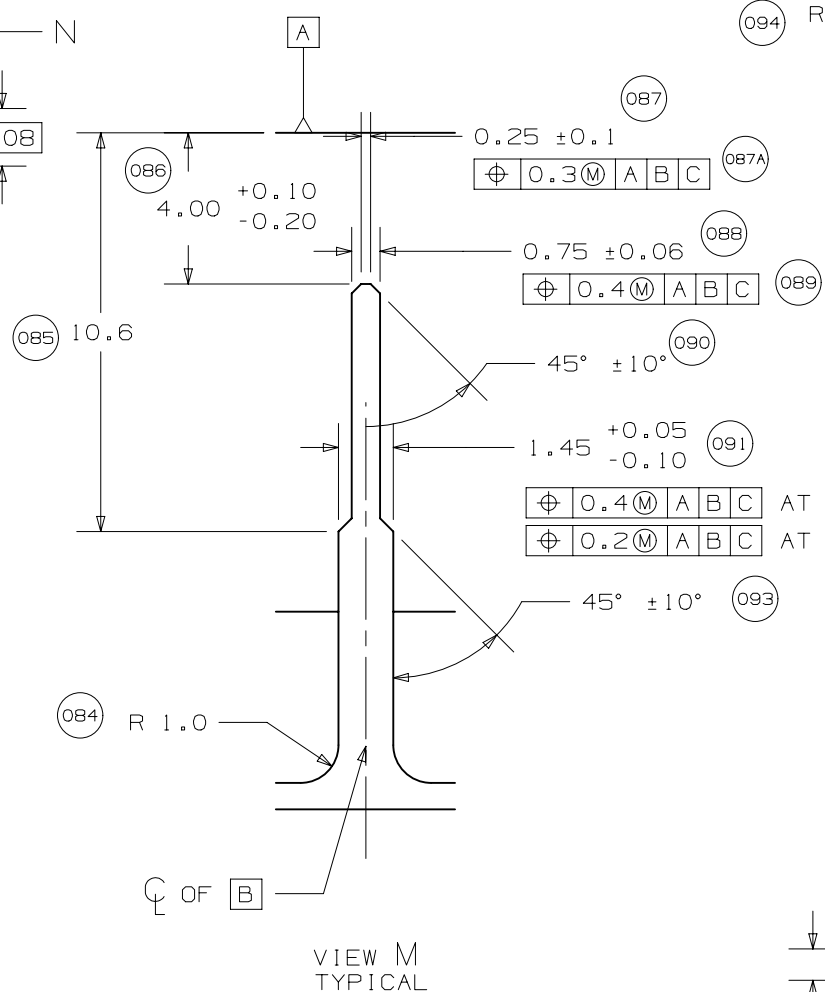
PAGE TITLE
COMPONENT CONNECTOR INTERFACE

DRAWING NUMBER
12642694

DWG STATUS			PAGE NUMBER
ST	REV	PD1	
R	001		17 of 22



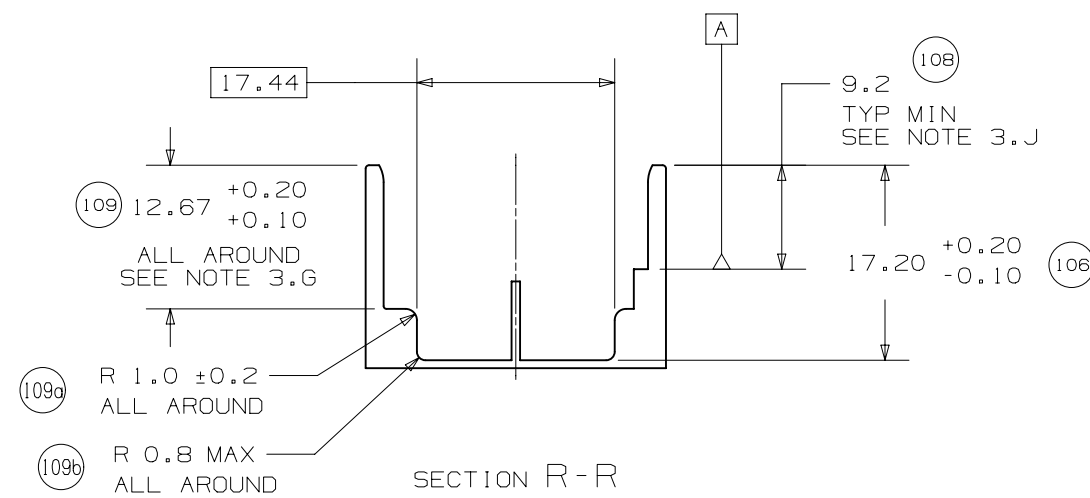
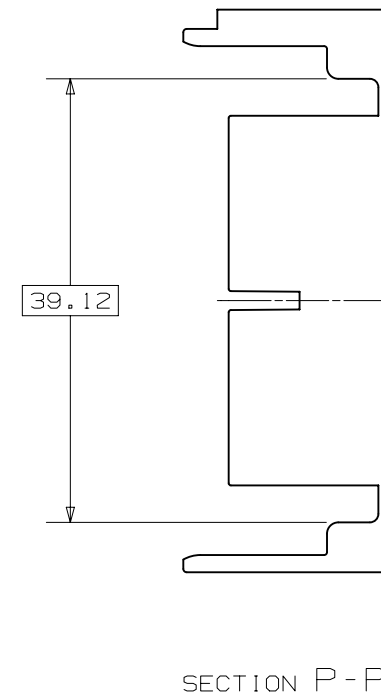
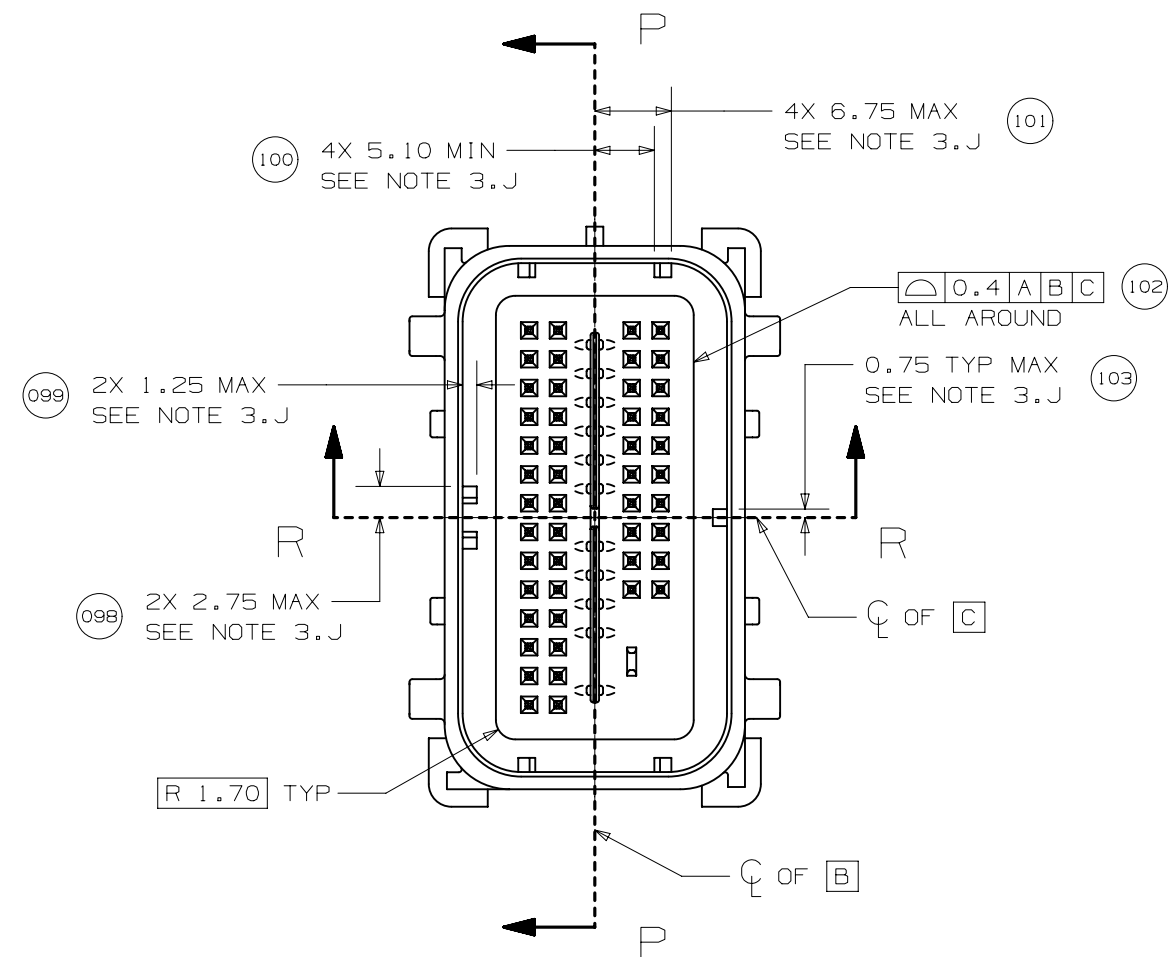
CKT	DIM 077
49 / 56 CKT	32.60 +0.10/-0.80
18 CKT	10.04 +0.10/-0.80

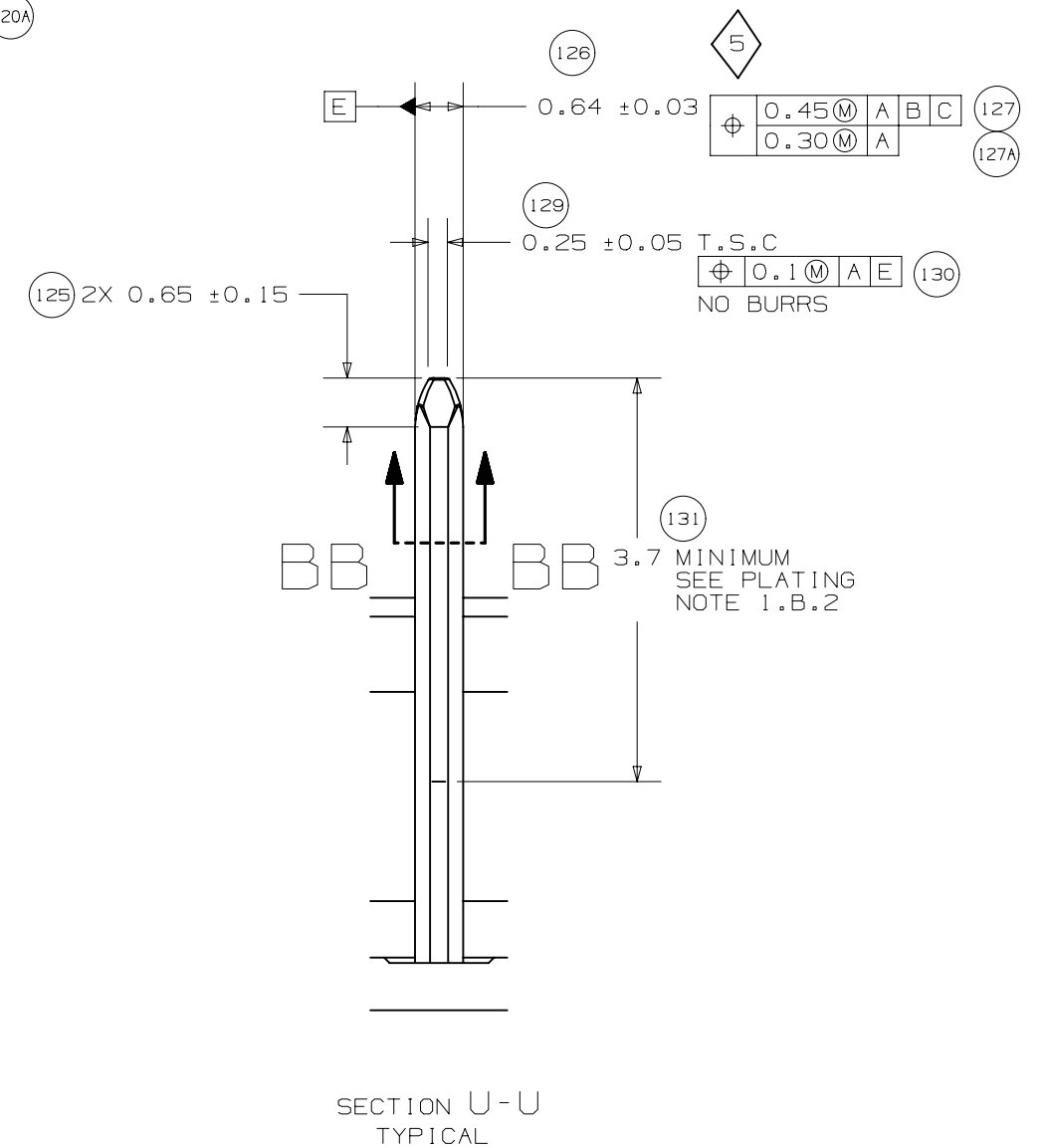
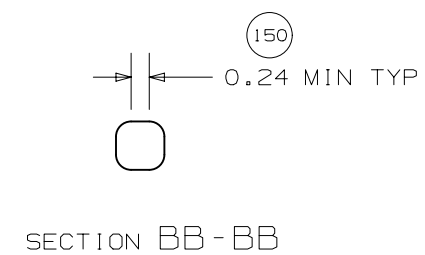
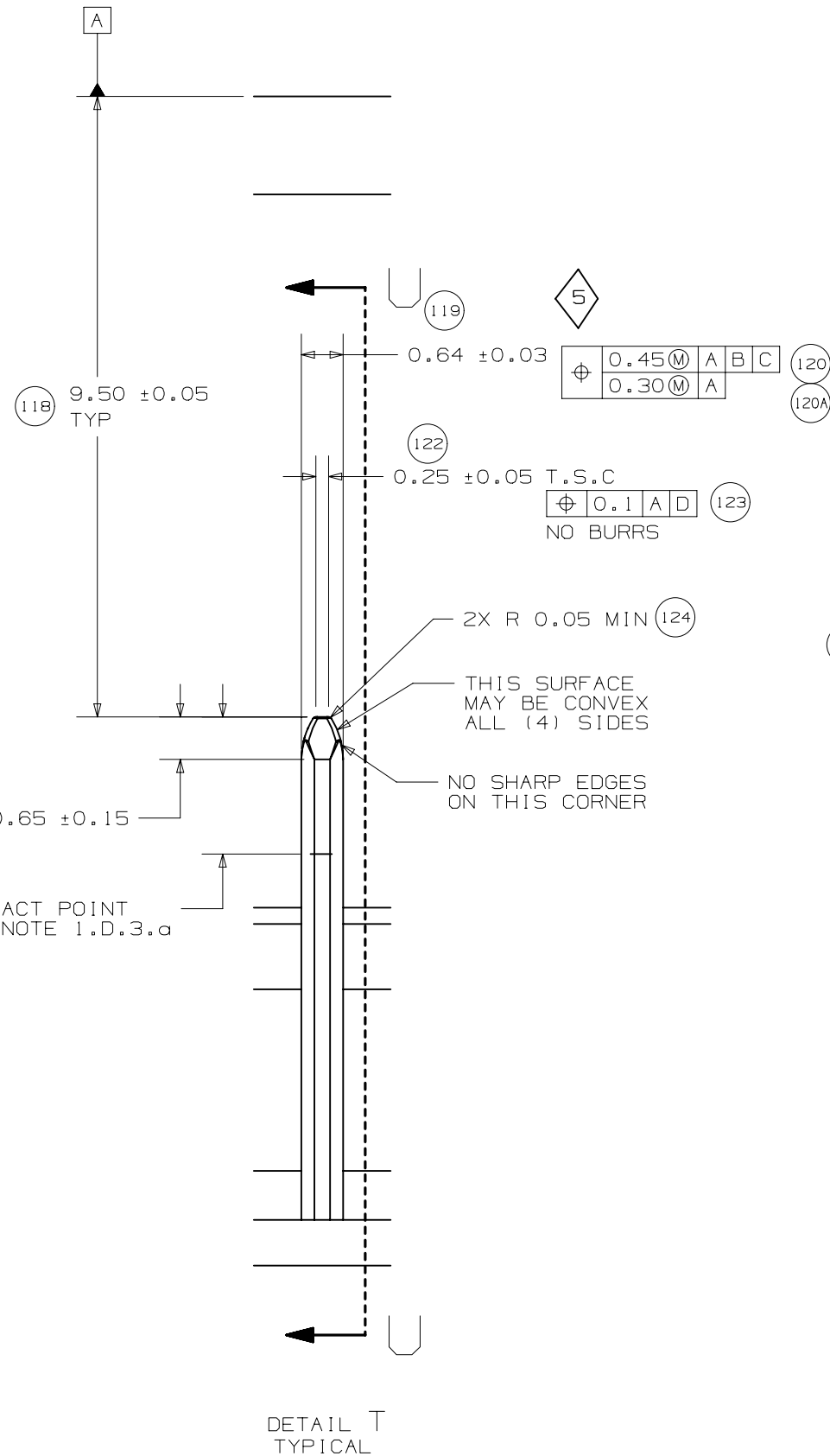
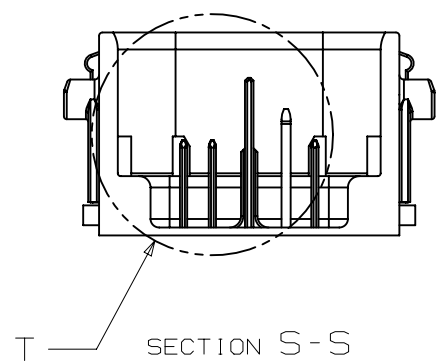
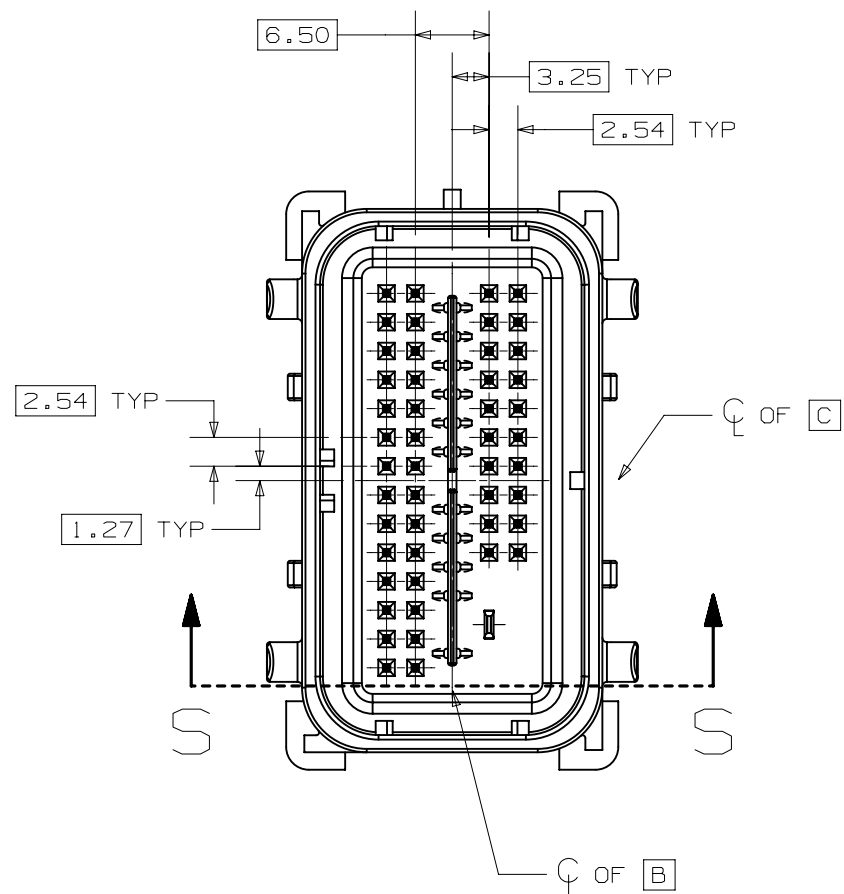


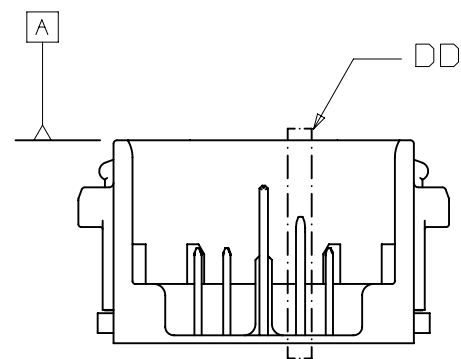
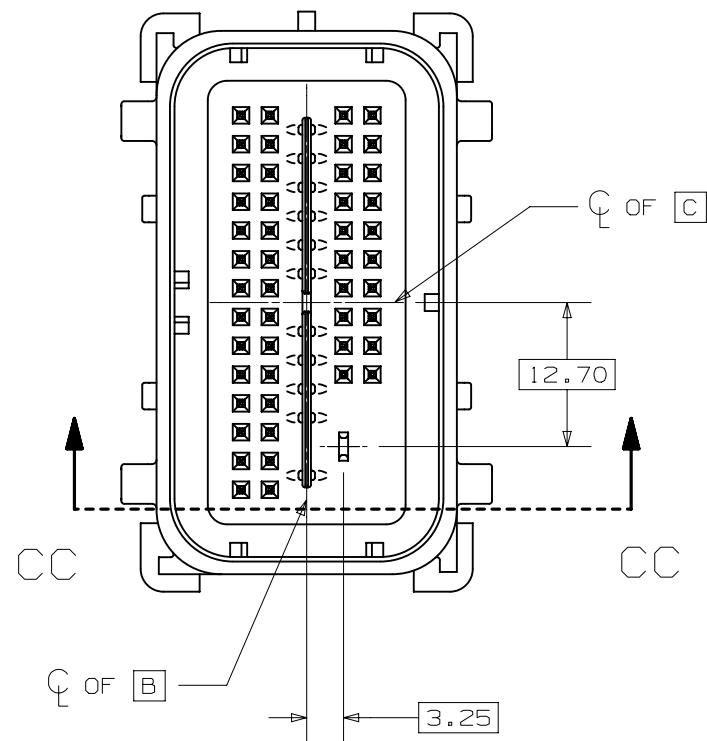
VIEW L



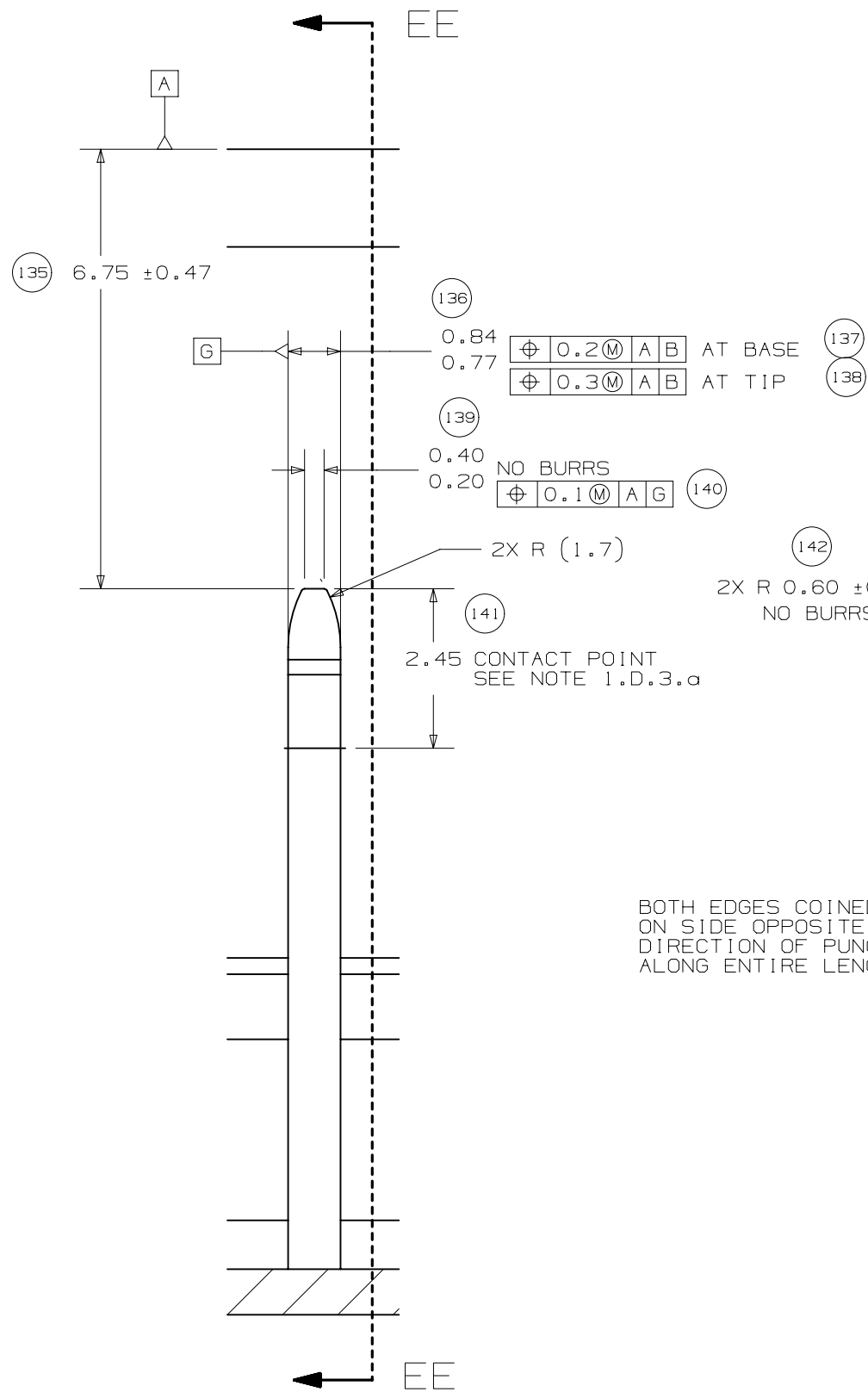
VIEW N



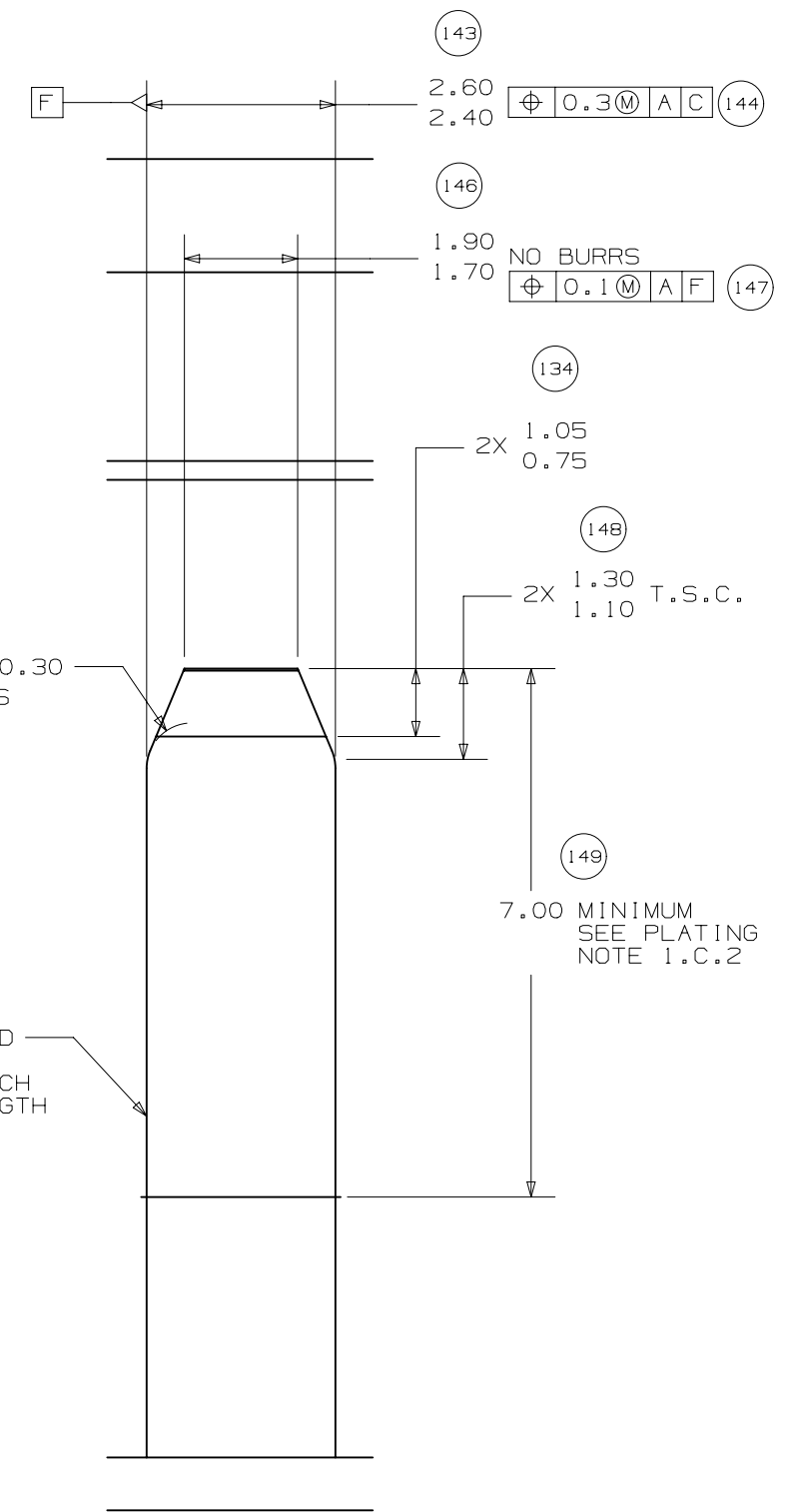




SECTION CC-CC



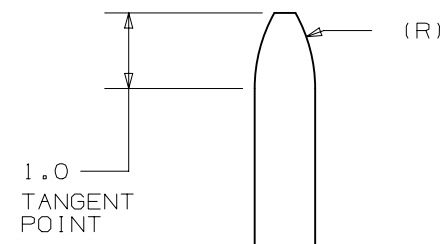
DETAIL DD
TYPICAL



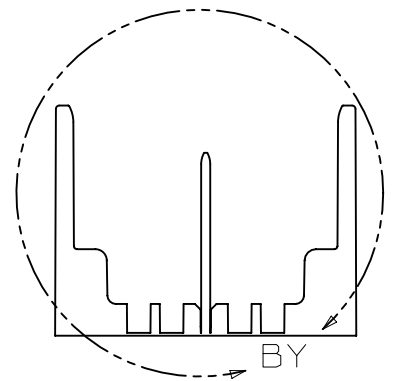
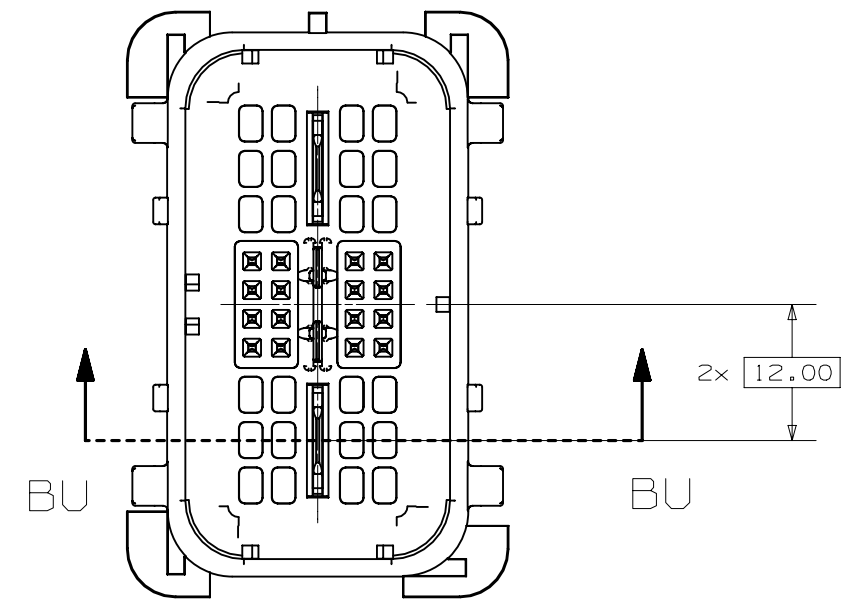
SECTION EE-EE
TYPICAL

BOTH EDGES COINED
ON SIDE OPPOSITE
DIRECTION OF PUNCH
ALONG ENTIRE LENGTH

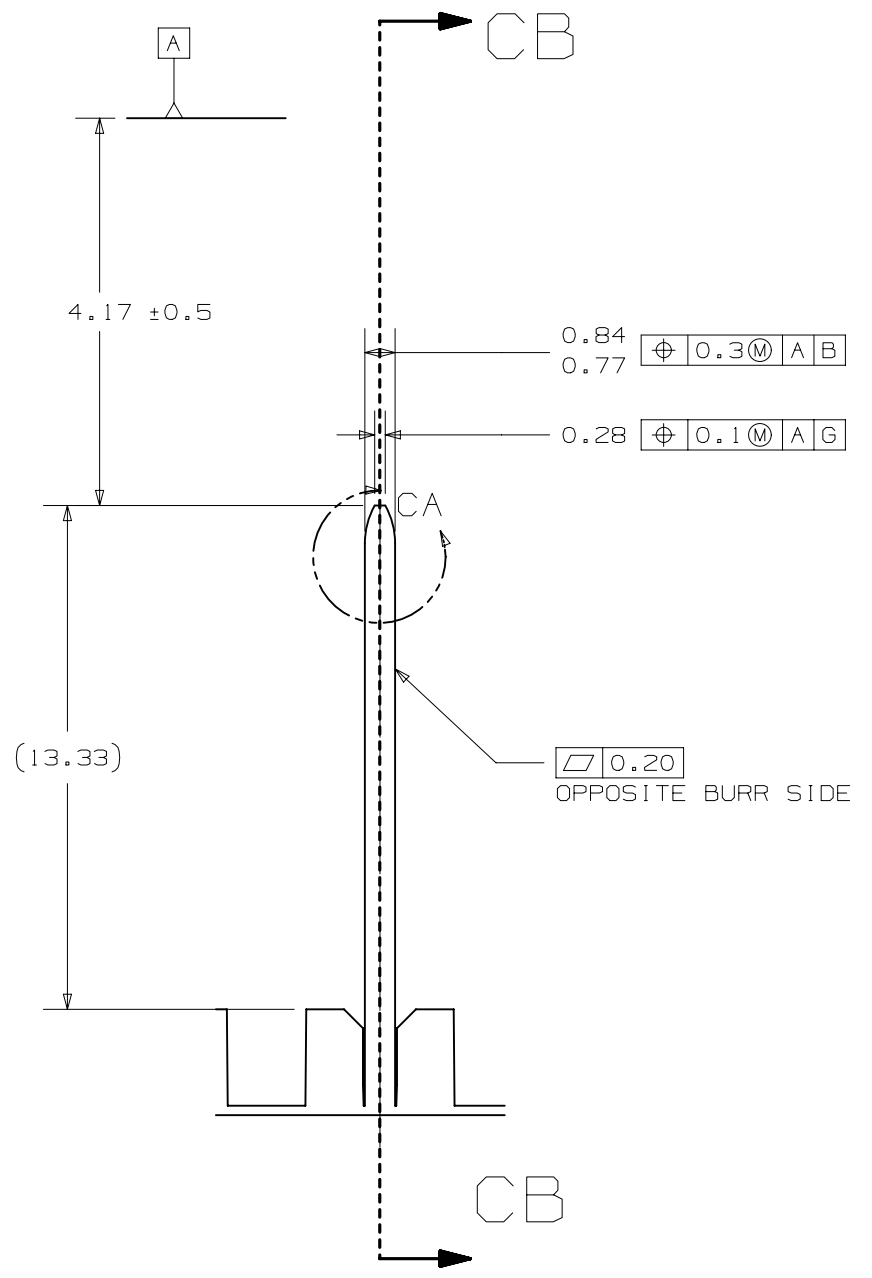




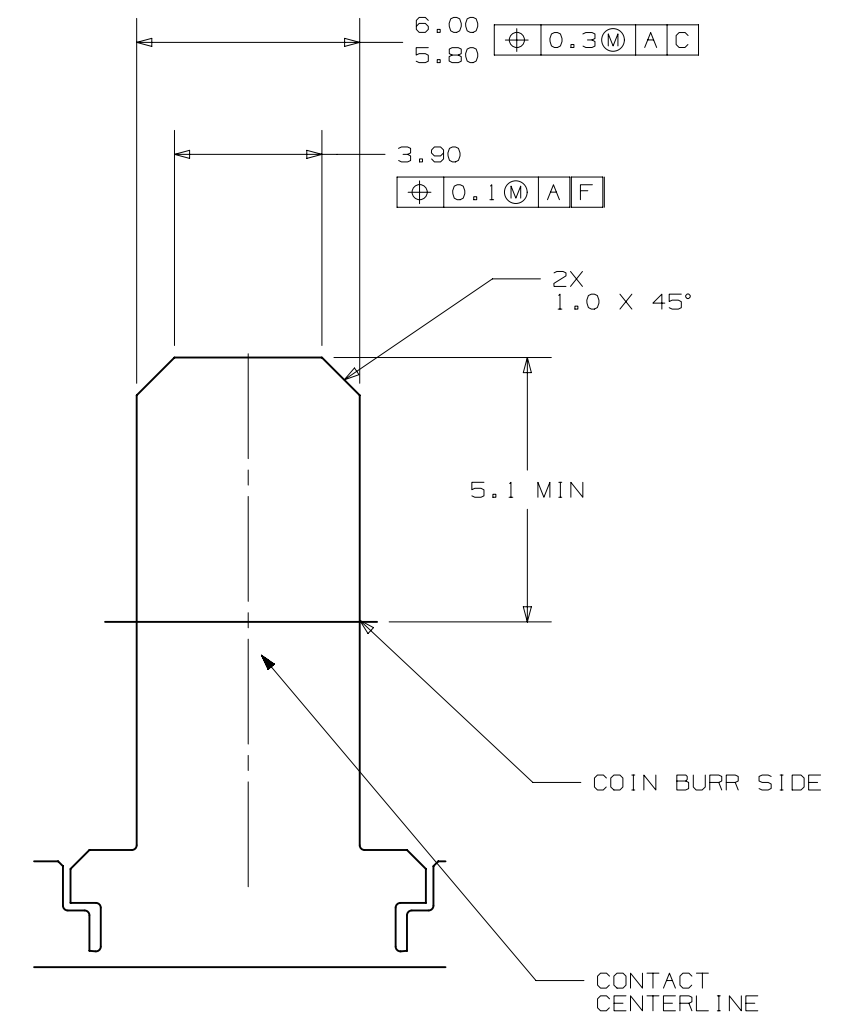
VIEW CA
SCALE 10:1



SECTION BU-BU



VIEW BY
SCALE 5:1



SECTION CB-CB



PAGE TITLE
COMPONENT CONNECTOR INTERFACE

DRAWING NUMBER
12642694

DWG STATUS		
ST	REV	PD1
R	001	

PAGE NUMBER
22 OF 22

ASSEMBLY DESCRIPTION	ASSEMBLY PART NUMBER	CONNECTOR HOUSING	GROMMET CAP	TPA	RIGHT SLIDE	LEFT SLIDE	MATE ASSIST LEVER	CPA	MAT SEAL	RING SEAL	BLOCKED TERMINALS																STATUS	COMMENTS	INTEGRAL COMPONENTS SOLD SEPARATELY DRESS COVER																																										
											CAVITY WITH A NUMBER INDICATES BLOCKED TERMINAL POSITION CAVITY WITHOUT A NUMBER INDICATES OPEN TERMINAL POSITION																																																												
											56	-	54	-	52	-	50	-	-	-	-	46	45	-	43	42				41	-	-	38	-	-	-	-	-	32	31	30	-	28	27	-	25	24	23	22	21	-	-	-	17	-	-	14	-	-	11	10	-	8	-	6	5	-	3	-	1	
MX123 CONN ASSY 56 CKT BLU OPT0 KEY G/29	345764803	C-HSG-G0	G-CAP-0-P	TPA-G0	RS	LS	MAL	CPA	MSEAL	RSEAL	56	-	54	-	52	-	50	-	-	-	-	46	45	-	43	42	41	-	-	38	-	-	-	-	-	-	32	31	30	-	28	27	-	25	24	23	22	21	-	-	-	17	-	-	14	-	-	11	10	-	8	-	6	5	-	3	-	1	SALEABLE		345750003
MX123 CONN ASSY 56 CKT BLU OPT9 KEY G/32	345764903	C-HSG-G9	G-CAP-9-P	TPA-G9	RS	LS	MAL	CPA	MSEAL	RSEAL	56	-	-	-	52	51	50	-	-	-	-	-	45	-	43	42	41	-	39	38	-	-	-	-	-	-	-	-	30	29	28	27	-	25	24	23	22	21	-	-	-	17	16	15	14	-	-	11	10	-	8	-	6	5	4	3	2	1	SALEABLE		345750003
MX123 CONN ASSY 56 CKT BLU OPT0 KEY G/34	345765003	C-HSG-G0	G-CAP-0-P	TPA-G0	RS	LS	MAL	CPA	MSEAL	RSEAL	56	-	-	-	52	51	50	-	-	-	-	46	-	-	43	42	41	-	39	38	-	-	-	-	-	-	32	31	30	29	28	27	-	25	24	23	22	21	-	-	-	17	16	15	14	-	-	11	10	-	8	-	6	5	4	3	2	1	SALEABLE		345750003
MX123 CONN ASSY 56 CKT BLU OPT0 KEY G/29	345765103	C-HSG-G0	G-CAP-0-P	TPA-G0	RS	LS	MAL	CPA	MSEAL	RSEAL	56	-	54	-	52	-	50	-	-	-	-	46	45	-	43	42	41	-	39	38	-	-	-	-	-	-	32	31	30	-	28	27	-	25	-	23	22	21	-	-	-	17	-	-	14	-	-	11	10	-	8	-	6	5	-	3	-	1	SALEABLE		345750003
MX123 CONN ASSY 56 CKT BLU OPT0 KEY G/32	345765203	C-HSG-G0	G-CAP-0-P	TPA-G0	RS	LS	MAL	CPA	MSEAL	RSEAL	-	-	-	-	52	51	50	-	-	-	-	46	45	-	43	42	41	-	-	38	-	-	-	-	-	-	32	31	30	-	28	27	26	25	24	23	22	21	-	-	-	17	16	-	14	-	-	11	10	-	8	-	6	5	4	3	2	1	SALEABLE		345750003
MX123 CONN ASSY 56 CKT BLU OPT9 KEY G/56	345765303	C-HSG-G9	G-CAP-9-P	TPA-G9	RS	LS	MAL	CPA	MSEAL	RSEAL	56	55	54	53	52	51	50	49	48	47	46	45	44	43	42	41	40	39	38	37	36	35	34	33	32	31	30	29	28	27	26	25	24	23	22	21	20	19	18	17	16	15	14	13	12	11	10	9	8	7	6	5	4	3	2	1	SALEABLE		345750003		
MX123 CONN ASSY 56 CKT BLU OPT0 KEY G/26	345765403	C-HSG-G0	G-CAP-0-P	TPA-G0	RS	LS	MAL	CPA	MSEAL	RSEAL	56	-	54	-	52	-	50	-	-	-	-	46	45	-	43	42	41	-	-	38	-	-	-	-	-	-	32	31	-	29	28	27	-	-	24	23	-	-	-	-	-	17	-	15	14	-	-	11	10	-	8	-	6	5	-	3	-	-	SALEABLE		345750003
MX123 CONN ASSY 56 CKT BLU OPT0 KEY G/26	345765503	C-HSG-G0	G-CAP-0-P	TPA-G0	RS	LS	MAL	CPA	MSEAL	RSEAL	-	-	54	-	52	-	50	-	-	-	-	46	45	-	43	42	41	-	-	38	-	-	-	-	-	-	32	31	-	29	28	27	26	-	24	23	-	-	-	-	-	17	-	15	14	-	-	11	10	-	8	-	6	5	-	3	-	-	SALEABLE		345750003
MX123 CONN ASSY 56 CKT BLU OPT0 KEY G/24	345765603	C-HSG-G0	G-CAP-0-P	TPA-G0	RS	LS	MAL	CPA	MSEAL	RSEAL	-	-	54	-	52	51	50	-	-	-	-	-	45	-	43	42	41	-	-	38	-	-	-	-	-	-	-	-	29	28	27	26	-	24	23	-	-	-	-	-	17	-	15	14	-	-	11	10	-	8	-	6	5	-	3	-	-	SALEABLE		345750003	
MX123 CONN ASSY 56 CKT BLU OPT0 KEY G/24	345765703	C-HSG-G0	G-CAP-0-P	TPA-G0	RS	LS	MAL	CPA	MSEAL	RSEAL	56	-	54	-	52	51	50	-	-	-	-	-	45	-	43	42	41	-	-	38	-	-	-	-	-	-	-	-	29	28	27	-	-	24	23	-	-	-	-	-	17	-	15	14	-	-	11	10	-	8	-	6	5	-	3	-	-	SALEABLE		345750003	
MX123 CONN ASSY 56 CKT BLU OPT0 KEY G/32	345765803	C-HSG-G0	G-CAP-0-P	TPA-G0	RS	LS	MAL	CPA	MSEAL	RSEAL	56	-	54	-	52	51	50	-	-	-	-	-	-	43	42	41	-	-	38	-	-	-	-	-	32	31	30	29	28	27	-	-	24	23	22	21	-	-	-	17	16	15	14	-	-	11	10	-	8	-	6	5	4	3	2	1	SALEABLE		345750003		
MX123 CONN ASSY 56 CKT BLU OPT0 KEY G/26	345765903	C-HSG-G0	G-CAP-0-P	TPA-G0	RS	LS	MAL	CPA	MSEAL	RSEAL	-	55	54	-	-	51	50	49	48	-	-	46	-	44	-	42	-	-	-	-	37	36	35	-	-	32	-	-	-	-	-	-	-	-	23	22	21	-	-	-	17	-	15	14	-	-	-	-	9	8	7	6	5	4	-	-	1	SALEABLE		345750003	

ASSEMBLY DESCRIPTION	ASSEMBLY PART NUMBER	CONNECTOR HOUSING	GROMMET CAP	TPA	RIGHT SLIDE	LEFT SLIDE	MATE ASSIST LEVER	CPA	MAT SEAL	RING SEAL	BLOCKED TERMINALS																STATUS	COMMENTS	INTEGRAL COMPONENTS SOLD SEPARATELY DRESS COVER
											CAVITY WITH A NUMBER INDICATES BLOCKED TERMINAL POSITION CAVITY WITHOUT A NUMBER INDICATES OPEN TERMINAL POSITION																		
											1	2	3	4	5	6	7	8	9	10	11	12	13	14	15	16			
MX123 CONN ASSY 56 CKT BLU OPTO KEY G/23	345766003	C-HSG-G0	G-CAP-0-P	TPA-G0	RS	LS	MAL	CPA	MSEAL	RSEAL	-	55	54	-	-	51	-	49	48	-	46	-	44	-	SALEABLE		345750003		
											42	41	-	-	-	37	36	35	-	-	32	-	-	-					
											-	-	-	-	-	23	22	21	-	-	-	17	-	15					
											-	-	-	-	-	9	8	7	6	-	-	-	-	1					
MX123 CONN ASSY 56 CKT BLU OPTO KEY G/28	345766103	C-HSG-G0	G-CAP-0-P	TPA-G0	RS	LS	MAL	CPA	MSEAL	RSEAL	-	-	-	-	52	-	50	-	-	-	46	45	-	43	SALEABLE		345750003		
											42	41	-	-	38	-	-	-	-	-	32	31	30	-					
											28	27	26	25	24	23	22	21	-	-	-	17	-	-					
											14	-	-	11	10	-	8	-	6	5	-	3	-	1					
MX123 CONN ASSY 56 CKT BLU OPTO KEY G/33	345766203	C-HSG-G0	G-CAP-0-P	TPA-G0	RS	LS	MAL	CPA	MSEAL	RSEAL	56	-	-	-	52	51	50	-	-	-	-	-	-	43	SALEABLE		345750003		
											42	41	-	39	38	-	-	-	-	-	32	31	30	29					
											28	27	-	25	24	23	22	21	-	-	-	17	16	15					
											14	-	-	11	10	-	8	-	6	5	4	3	2	1					
MX123 CONN ASSY 56 CKT BLU OPTO KEY G/28	345766303	C-HSG-G0	G-CAP-0-P	TPA-G0	RS	LS	MAL	CPA	MSEAL	RSEAL	56	-	-	-	52	-	50	-	-	-	46	45	-	43	SALEABLE		345750003		
											42	41	-	-	38	-	-	-	-	-	32	31	30	-					
											28	27	-	25	24	23	22	21	-	-	-	17	-	-					
											14	-	-	11	10	-	8	-	6	5	-	3	-	1					
MX123 CONN ASSY 56 CKT BLU OPTO KEY G/34	345766403	C-HSG-G0	G-CAP-0-P	TPA-G0	RS	LS	MAL	CPA	MSEAL	RSEAL	56	-	-	53	52	51	50	-	-	-	46	45	-	43	SALEABLE		345750003		
											42	-	-	39	38	-	-	-	-	-	32	31	30	29					
											28	27	26	25	24	23	22	21	-	-	-	17	16	15					
											14	-	-	11	10	-	-	-	6	5	4	-	2	1					
MX123 CONN ASSY 56 CKT BLU OPTO KEY G/24	345766503	C-HSG-G0	G-CAP-0-P	TPA-G0	RS	LS	MAL	CPA	MSEAL	RSEAL	56	55	-	53	52	51	50	49	48	-	-	-	44	-	SALEABLE		345750003		
											42	-	-	-	-	-	36	35	34	-	-	-	-	-					
											-	-	-	-	-	-	22	21	-	-	-	17	-	15					
											14	-	-	-	-	-	8	7	6	5	4	-	-	1					
MX123 CONN ASSY 56 CKT BLU OPTO KEY G/23	345766603	C-HSG-G0	G-CAP-0-P	TPA-G0	RS	LS	MAL	CPA	MSEAL	RSEAL	56	55	-	53	52	51	50	49	48	-	-	-	44	-	SALEABLE		345750003		
											42	-	-	-	-	-	36	35	-	-	-	-	-	-					
											-	-	-	-	-	-	22	21	-	-	-	17	-	15					
											14	-	-	-	-	-	8	7	6	5	4	-	-	1					
MX123 CONN ASSY 56 CKT BLU OPTO KEY G/32	345766703	C-HSG-G0	G-CAP-0-P	TPA-G0	RS	LS	MAL	CPA	MSEAL	RSEAL	56	-	54	53	-	-	50	49	-	47	-	-	44	-	SALEABLE		345750003		
											42	-	-	-	-	37	36	35	34	-	-	-	-	-					
											-	27	-	-	-	23	22	21	-	-	-	17	-	-					
											14	-	-	-	-	9	8	7	6	5	4	-	-	-					
MX123 CONN ASSY 56 CKT BLU OPTO KEY G/30	345766803	C-HSG-G0	G-CAP-0-P	TPA-G0	RS	LS	MAL	CPA	MSEAL	RSEAL	56	55	54	53	-	51	50	49	-	47	-	-	44	-	SALEABLE		345750003		
											42	-	-	-	-	37	36	35	34	-	-	-	-	-					
											-	27	-	-	-	23	22	21	-	-	-	17	-	-					
											14	-	-	-	-	9	8	7	6	5	4	-	-	-					
MX123 CONN ASSY 56 CKT BLU OPTO KEY G/29	345766813	C-HSG-G0	G-CAP-0-P	TPA-G0	RS	LS	MAL	CPA	MSEAL	RSEAL	-	-	-	-	52	-	-	-	48	-	46	45	-	43	SALEABLE		345750003		
											-	41	40	-	38	-	-	-	-	33	32	31	30	29					
											28	-	26	-	24	-	-	-	20	19	18	-	16	15					
											-	13	12	-	10	-	-	-	-	-	-	3	2	1					
MX123 CONN ASSY 56 CKT BLU OPTO KEY G/27	345766823	C-HSG-G0	G-CAP-0-P	TPA-G0	RS	LS	MAL	CPA	MSEAL	RSEAL	-	55	-	-	52	51	-	-	48	-	46	45	-	43	SALEABLE		345750003		
											-	41	40	-	38	-	-	-	-	33	32	31	30	29					
											28	-	26	-	24	-	-	-	20	19	18	-	16	15					
											-	13	12	-	10	-	-	-	-	-	-	3	2	1					
MX123 CONN ASSY 56 CKT BLU OPTO KEY G/16	345766833	C-HSG-G0	G-CAP-0-P	TPA-G0	RS	LS	MAL	CPA	MSEAL	RSEAL	-	55	-	-	52	51	-	-	48	-	46	45	44	43	SALEABLE		345750003		
											42	41	40	39	38	37	36	35	34	33	32	31	30	29					
											28	27	26	25	24	23	22	-	20	19	18	-	16	15					
											-	13	12	-	10	-	-	-	-	-	-	3	2	1					

ASSEMBLY DESCRIPTION	ASSEMBLY PART NUMBER	CONNECTOR HOUSING	GROMMET CAP	TPA	RIGHT SLIDE	LEFT SLIDE	MATE ASSIST LEVER	CPA	MAT SEAL	RING SEAL	BLOCKED TERMINALS																STATUS	COMMENTS	INTEGRAL COMPONENTS SOLD SEPARATELY DRESS COVER
											CAVITY WITH A NUMBER INDICATES BLOCKED TERMINAL POSITION CAVITY WITHOUT A NUMBER INDICATES OPEN TERMINAL POSITION																		
											1	2	3	4	5	6	7	8	9	10	11	12	13	14	15	16			
MX123 CONN ASSY 56 CKT BLU OPT0 KEY G/35	345766843	C-HSG-G0	G-CAP-0-P	TPA-G0	RS	LS	MAL	CPA	MSEAL	RSEAL	-	55	-	-	-	51	50	49	48	-	-	-	44	-					
											42	-	-	-	-	-	36	35	34	-	-	-	-	-					
											-	-	-	-	-	-	22	21	-	-	-	17	-	15					
											14	-	-	-	-	-	8	7	6	5	4	-	-	1					
MX123 CONN ASSY 56 CKT BLU OPT0 KEY G/36	345766853	C-HSG-G0	G-CAP-0-P	TPA-G0	RS	LS	MAL	CPA	MSEAL	RSEAL	-	55	-	-	-	51	50	49	48	-	-	-	44	-					
											42	-	-	-	-	-	36	35	-	-	-	-	-						
											-	-	-	-	-	-	22	21	-	-	-	17	-	15					
											14	-	-	-	-	-	8	7	6	5	4	-	-	1					
MX123 CONN ASSY 56 CKT BLU OPT0 KEY G/29	345766863	C-HSG-G0	G-CAP-0-P	TPA-G0	RS	LS	MAL	CPA	MSEAL	RSEAL	56	-	54	53	-	-	50	49	-	47	-	-	44	-					
											42	-	-	39	-	37	36	35	34	-	-	-	-	-					
											-	27	-	25	-	23	22	21	-	-	-	17	-	-					
											14	-	-	11	-	9	8	7	6	5	4	-	-	-					
MX123 CONN ASSY 56 CKT BLU OPT0 KEY G/27	345766873	C-HSG-G0	G-CAP-0-P	TPA-G0	RS	LS	MAL	CPA	MSEAL	RSEAL	56	55	54	53	-	51	50	49	-	47	-	-	44	-					
											42	-	-	39	-	37	36	35	34	-	-	-	-	-					
											-	27	-	25	-	23	22	21	-	-	-	17	-	-					
											14	-	-	11	-	9	8	7	6	5	4	-	-	-					
MX123 CONN ASSY 56 CKT BLU OPT0 KEY G/35	345766883	C-HSG-G0	G-CAP-0-P	TPA-G0	RS	LS	MAL	CPA	MSEAL	RSEAL	-	55	-	53	-	51	50	49	48	-	-	-	44	-					
											42	-	-	-	-	-	36	35	-	-	-	-	-						
											-	-	-	-	-	-	22	21	-	-	-	17	-	15					
											14	-	-	-	-	-	8	7	6	5	4	-	-	1					
MX123 CONN ASSY 56 CKT BLU OPT0 KEY G/29	345766893	C-HSG-G0	G-CAP-0-P	TPA-G0	RS	LS	MAL	CPA	MSEAL	RSEAL	56	55	-	-	52	51	50	49	48	-	-	-	44	43					
											42	-	-	39	-	37	36	35	34	-	-	-	-	-					
											-	-	-	-	-	23	22	21	-	-	-	17	-	15					
											14	-	-	-	-	9	-	7	6	5	4	-	-	1					
MX123 CONN ASSY 56 CKT BLU OPT9 KEY G/30	345766913	C-HSG-G9	G-CAP-9-P	TPA-G9	RS	LS	MAL	CPA	MSEAL	RSEAL	56	55	-	-	52	51	50	49	48	-	-	-	44	-					
											42	-	-	39	-	37	36	35	34	-	-	-	-	-					
											-	-	-	-	-	23	22	21	-	-	-	17	-	15					
											14	-	-	-	-	9	-	7	6	5	4	-	-	1					
MX123 CONN ASSY 56 CKT BLU OPT9 KEY G/33	345766923	C-HSG-G9	G-CAP-9-P	TPA-G9	RS	LS	MAL	CPA	MSEAL	RSEAL	56	55	-	-	52	51	50	49	48	-	-	-	44	-					
											42	-	-	-	-	37	36	35	34	-	-	-	-	-					
											-	-	-	-	-	-	22	21	-	-	-	17	-	15					
											14	-	-	-	-	-	-	7	6	5	4	-	-	1					
MX123 CONN ASSY 56 CKT BLU OPT0 KEY G/23	345766933	C-HSG-G0	G-CAP-0-P	TPA-G0	RS	LS	MAL	CPA	MSEAL	RSEAL	56	-	-	-	52	51	50	-	-	-	-	-	-	43					
											42	41	-	39	38	-	-	-	-	-	32	31	30	29					
											28	27	-	25	24	23	22	21	-	-	-	17	16	15					
											14	-	-	11	10	-	8	-	6	5	4	3	2	1					
MX123 CONN ASSY 56 CKT BLU OPT0 KEY G/29	345766943	C-HSG-G0	G-CAP-0-P	TPA-G0	RS	LS	MAL	CPA	MSEAL	RSEAL	56	55	-	-	52	51	50	49	48	-	-	-	44	-					
											42	-	-	39	-	37	36	35	34	-	-	-	-	-					
											-	27	-	-	-	23	22	21	-	-	-	17	-	15					
											14	-	-	-	-	9	-	7	6	5	4	-	-	1					
MX123 CONN ASSY 56 CKT BLU OPT0 KEY G/33	345766953	C-HSG-G0	G-CAP-0-P	TPA-G0	RS	LS	MAL	CPA	MSEAL	RSEAL	56	55	-	-	52	51	50	49	48	-	-	-	44	-					
											42	-	-	-	-	37	36	35	34	-	-	-	-	-					
											-	-	-	-	-	-	22	21	-	-	-	17	-	15					
											14	-	-	-	-	-	-	7	6	5	4	-	-	1					
MX123 CONN ASSY 56 CKT BLU OPT0 KEY G/36	345766963	C-HSG-G0	G-CAP-0-P	TPA-G0	RS	LS	MAL	CPA	MSEAL	RSEAL	-	55	-	-	-	51	50	49	48	-	-	-	44	-					
											42	-	-	-	-	37	36	35	-	-	-	-	-						
											-	-	-	-	-	-	22	21	-	-	-	17	-	15					
											14	-	-	-	-	-	-	7	6	5	4	-	-	1					

ASSEMBLY DESCRIPTION	ASSEMBLY PART NUMBER	CONNECTOR HOUSING	GROMMET CAP	TPA	RIGHT SLIDE	LEFT SLIDE	MATE ASSIST LEVER	CPA	MAT SEAL	RING SEAL	BLOCKED TERMINALS																STATUS	COMMENTS	INTEGRAL COMPONENTS SOLD SEPARATELY DRESS COVER
											CAVITY WITH A NUMBER INDICATES BLOCKED TERMINAL POSITION CAVITY WITHOUT A NUMBER INDICATES OPEN TERMINAL POSITION																		
											-	55	54	53	-	-	-	49	48	47	46	45	44	-	-	-			
MX123 CONN ASSY 56 CKT BLU OPTO KEY G/33	345766973	C-HSG-G0	G-CAP-0-P	TPA-G0	RS	LS	MAL	CPA	MSEAL	RSEAL	-	55	54	53	-	-	-	49	48	47	46	45	44	-	SALEABLE		345750003		
											-	-	40	-	-	37	36	35	34	33	-	-	-	-					
											-	-	26	-	-	-	-	-	20	19	18	-	-	-					
											-	13	12	-	-	9	-	7	-	-	-	-	-	-					
MX123 CONN ASSY 56 CKT BLU OPTO KEY G/28	345766983	C-HSG-G0	G-CAP-0-P	TPA-G0	RS	LS	MAL	CPA	MSEAL	RSEAL	56	55	-	-	52	51	50	49	48	47	-	45	-	43	SALEABLE		345750003		
											42	41	-	-	-	-	-	35	34	33	-	-	-	29					
											28	27	26	-	-	-	-	-	-	-	18	17	16	15					
											14	13	12	-	-	-	-	-	-	-	-	3	-	1					
MX123 CONN ASSY 56 CKT BLU OPTO KEY G/34	345766993	C-HSG-G0	G-CAP-0-P	TPA-G0	RS	LS	MAL	CPA	MSEAL	RSEAL	-	-	-	-	-	-	50	49	48	-	-	-	44	-	SALEABLE		345750003		
											42	-	-	39	-	37	36	35	34	-	-	-	-	-					
											-	-	-	-	-	23	22	21	-	-	-	17	-	15					
											14	-	-	-	-	9	-	7	6	5	4	-	-	1					
MX123 CONN ASSY 56 CKT BLU OPTO KEY G/33	345767003	C-HSG-G0	G-CAP-0-P	TPA-G0	RS	LS	MAL	CPA	MSEAL	RSEAL	-	-	-	53	-	-	50	49	48	-	-	-	44	-	SALEABLE		345750003		
											42	-	-	39	-	37	36	35	34	-	-	-	-	-					
											-	-	-	-	-	23	22	21	-	-	-	17	-	15					
											14	-	-	-	-	9	-	7	6	5	4	-	-	1					
MX123 CONN ASSY 56 CKT BLU OPTO KEY G/34	345767013	C-HSG-G0	G-CAP-0-P	TPA-G0	RS	LS	MAL	CPA	MSEAL	RSEAL	-	-	-	-	-	-	50	49	48	-	-	-	44	-	SALEABLE		345750003		
											42	-	-	39	-	37	36	35	-	-	-	-	-	-					
											-	-	-	-	-	23	22	21	-	-	-	17	-	15					
											14	-	12	-	-	9	-	7	6	5	4	-	-	1					
MX123 CONN ASSY 56 CKT BLU OPTO KEY G/34	345767023	C-HSG-G0	G-CAP-0-P	TPA-G0	RS	LS	MAL	CPA	MSEAL	RSEAL	-	-	-	53	-	-	50	49	48	-	-	-	44	-	SALEABLE		345750003		
											42	-	-	39	-	37	36	35	-	-	-	-	-	-					
											-	-	-	-	-	23	22	21	-	-	-	17	-	15					
											14	-	-	-	-	9	-	7	6	5	4	-	-	1					
MX123 CONN ASSY 56 CKT BLU OPTO KEY G/32	345767033	C-HSG-G0	G-CAP-0-P	TPA-G0	RS	LS	MAL	CPA	MSEAL	RSEAL	-	55	-	-	-	51	50	49	48	-	-	-	44	-	SALEABLE		345750003		
											42	-	-	39	-	37	36	35	34	-	-	-	-	-					
											-	-	-	-	-	23	22	21	-	-	-	17	-	15					
											14	-	-	-	-	9	-	7	6	5	4	-	-	1					
MX123 CONN ASSY 56 CKT BLU OPTO KEY G/31	345767043	C-HSG-G0	G-CAP-0-P	TPA-G0	RS	LS	MAL	CPA	MSEAL	RSEAL	-	55	-	53	-	51	50	49	48	-	-	-	44	-	SALEABLE		345750003		
											42	-	-	39	-	37	36	35	34	-	-	-	-	-					
											-	-	-	-	-	23	22	21	-	-	-	17	-	15					
											14	-	-	-	-	9	-	7	6	5	4	-	-	1					
MX123 CONN ASSY 56 CKT BLU OPTO KEY G/33	345767053	C-HSG-G0	G-CAP-0-P	TPA-G0	RS	LS	MAL	CPA	MSEAL	RSEAL	-	55	-	-	-	51	50	49	48	-	-	-	44	-	SALEABLE		345750003		
											42	-	-	39	-	37	36	35	-	-	-	-	-	-					
											-	-	-	-	-	23	22	21	-	-	-	17	-	15					
											14	-	-	-	-	9	-	7	6	5	4	-	-	1					
MX123 CONN ASSY 56 CKT BLU OPTO KEY G/32	345767063	C-HSG-G0	G-CAP-0-P	TPA-G0	RS	LS	MAL	CPA	MSEAL	RSEAL	-	55	-	53	-	51	50	49	48	-	-	-	44	-	SALEABLE		345750003		
											42	-	-	39	-	37	36	35	-	-	-	-	-	-					
											-	-	-	-	-	23	22	21	-	-	-	17	-	15					
											14	-	-	-	-	9	-	7	6	5	4	-	-	1					
MX123 CONN ASSY 56 CKT BLU OPTO KEY G/31	345767073	C-HSG-G0	G-CAP-0-P	TPA-G0	RS	LS	MAL	CPA	MSEAL	RSEAL	56	55	-	-	-	51	50	49	48	-	-	-	44	-	SALEABLE		345750003		
											42	-	-	39	-	37	36	35	34	-	-	-	-	-					
											-	-	-	-	-	23	22	21	-	-	-	17	-	15					
											14	-	-	-	-	9	-	7	6	5	4	-	-	1					
MX123 CONN ASSY 56 CKT BLU OPTO KEY G/32	345767083	C-HSG-G0	G-CAP-0-P	TPA-G0	RS	LS	MAL	CPA	MSEAL	RSEAL	56	55	-	-	-	51	50	49	48	-	-	-	44	-	SALEABLE		345750003		
											42	-	-	39	-	37	36	35	-	-	-	-	-	-					
											-	-	-	-	-	23	22	21	-	-	-	17	-	15					
											14	-	-	-	-	9	-	7	6	5	4	-	-	1					

ASSEMBLY DESCRIPTION	ASSEMBLY PART NUMBER	CONNECTOR HOUSING	GROMMET CAP	TPA	RIGHT SLIDE	LEFT SLIDE	MATE ASSIST LEVER	CPA	MAT SEAL	RING SEAL	BLOCKED TERMINALS																STATUS	COMMENTS	INTEGRAL COMPONENTS SOLD SEPARATELY DRESS COVER
											CAVITY WITH A NUMBER INDICATES BLOCKED TERMINAL POSITION CAVITY WITHOUT A NUMBER INDICATES OPEN TERMINAL POSITION																		
											56	55	-	-	52	51	50	49	48	-	-	-	44	-	-	-			
MX123 CONN ASSY 56 CKT BLU OPT0 KEY G/30	345767093	C-HSG-G0	G-CAP-0-P	TPA-G0	RS	LS	MAL	CPA	MSEAL	RSEAL	42	-	-	39	-	37	36	35	34	-	-	-	-	-	-				
											-	-	-	-	-	23	22	21	-	-	-	17	-	15					
											14	-	-	-	-	9	-	7	6	5	4	-	-	1					
											-	-	54	53	-	-	-	-	-	-	46	-	44	-	-				
MX123 CONN ASSY 56 CKT BLU OPT0 KEY G/28	345767103	C-HSG-G0	G-CAP-0-P	TPA-G0	RS	LS	MAL	CPA	MSEAL	RSEAL	-	-	40	39	38	37	36	-	-	-	32	31	30	-	-				
											-	-	-	25	24	23	22	21	20	19	-	-	-	-					
											-	-	-	11	10	9	8	7	6	5	4	-	2	-					
											-	-	-	-	-	-	-	-	-	-	-	-	-	-	-				
MX123 CONN ASSY 56 CKT BLU OPT0 KEY G/29	345767113	C-HSG-G0	G-CAP-0-P	TPA-G0	RS	LS	MAL	CPA	MSEAL	RSEAL	56	55	-	53	52	51	50	49	48	-	-	-	44	-					
											42	-	-	39	-	37	36	35	34	-	-	-	-	-					
											-	-	-	-	-	23	22	21	-	-	-	17	-	15					
											14	-	-	-	-	9	-	7	6	5	4	-	-	1					
MX123 CONN ASSY 56 CKT BLU OPT0 KEY G/27	345767123	C-HSG-G0	G-CAP-0-P	TPA-G0	RS	LS	MAL	CPA	MSEAL	RSEAL	-	-	54	53	-	-	-	-	-	-	46	-	44	-	-				
											-	-	40	39	38	37	36	-	-	-	32	31	30	-					
											-	-	-	25	24	23	22	21	20	19	-	17	-	-					
											-	-	-	11	10	9	8	7	6	5	4	-	2	-					
MX123 CONN ASSY 56 CKT BLU OPT9 KEY G/36	345767133	C-HSG-G9	G-CAP-9-P	TPA-G9	RS	LS	MAL	CPA	MSEAL	RSEAL	-	55	-	-	-	51	50	49	48	-	-	-	44	-					
											42	-	-	-	-	37	36	35	-	-	-	-	-	-					
											-	-	-	-	-	-	22	21	-	-	-	17	-	15					
											14	-	-	-	-	-	-	7	6	5	4	-	-	1					
MX123 CONN ASSY 56 CKT BLU OPT9 KEY G/35	345767143	C-HSG-G9	G-CAP-9-P	TPA-G9	RS	LS	MAL	CPA	MSEAL	RSEAL	-	-	-	-	-	50	49	48	-	-	-	44	-						
											42	-	-	39	-	37	36	35	-	-	-	-	-	-					
											-	-	-	-	-	23	22	21	-	-	-	17	-	15					
											14	-	-	-	-	9	-	7	6	5	4	-	-	1					
MX123 CONN ASSY 56 CKT BLU OPT9 KEY G/37	345767153	C-HSG-G9	G-CAP-9-P	TPA-G9	RS	LS	MAL	CPA	MSEAL	RSEAL	-	55	-	-	-	51	50	-	48	-	-	-	44	-					
											42	-	-	-	-	37	36	35	-	-	-	-	-	-					
											-	-	-	-	-	-	22	21	-	-	-	17	-	15					
											14	-	-	-	-	-	-	7	6	5	4	-	-	1					
MX123 CONN ASSY 56 CKT BLU OPT0 KEY G/19	345767163	C-HSG-G0	G-CAP-0-P	TPA-G0	RS	LS	MAL	CPA	MSEAL	RSEAL	56	55	54	-	52	51	50	-	48	-	-	-	-	43					
											42	41	-	39	38	-	-	-	34	-	32	31	30	29					
											28	27	-	25	24	23	22	21	-	-	-	17	16	15					
											14	-	-	11	10	-	8	-	6	5	4	3	2	1					
MX123 CONN ASSY 56 CKT BLU OPT9 KEY G/29	345767173	C-HSG-G9	G-CAP-9-P	TPA-G9	RS	LS	MAL	CPA	MSEAL	RSEAL	56	-	54	53	-	-	50	49	-	47	-	-	44	-					
											42	-	-	39	-	37	36	35	34	-	-	-	-	-					
											-	27	-	25	-	23	22	21	-	-	-	17	-	-					
											14	-	-	11	-	9	8	7	6	5	4	-	-	-					
MX123 CONN ASSY 56 CKT BLU OPT0 KEY G/33	345767183	C-HSG-G0	G-CAP-0-P	TPA-G0	RS	LS	MAL	CPA	MSEAL	RSEAL	-	-	54	-	52	51	50	-	-	-	-	45	-	43					
											42	41	-	-	38	-	-	-	-	-	-	-	-	29					
											28	27	26	-	-	23	-	-	-	-	-	17	-	15					
											14	-	-	11	10	-	8	-	6	5	-	3	-	-					
MX123 CONN ASSY 56 CKT BLU OPT9 KEY G/30	345767193	C-HSG-G9	G-CAP-9-P	TPA-G9	RS	LS	MAL	CPA	MSEAL	RSEAL	-	55	-	-	-	51	50	49	48	-	-	-	44	-					
											42	-	-	39	-	37	36	35	-	-	-	-	-	-					
											-	-	-	25	-	23	22	21	-	-	-	17	-	15					
											14	-	-	11	-	9	8	7	6	5	4	-	-	1					
MX123 CONN ASSY 56 CKT BLU OPT0 KEY G/35	345767203	C-HSG-G0	G-CAP-0-P	TPA-G0	RS	LS	MAL	CPA	MSEAL	RSEAL	-	-	-	-	-	50	49	48	-	-	-	44	-						
											42	-	-	39	-	37	36	35	-	-	-	-	-	-					
											-	-	-	-	-	23	22	21	-	-	-	17	-	15					
											14	-	-	-	-	9	-	7	6	5	4	-	-	1					

ASSEMBLY DESCRIPTION	ASSEMBLY PART NUMBER	CONNECTOR HOUSING	GROMMET CAP	TPA	RIGHT SLIDE	LEFT SLIDE	MATE ASSIST LEVER	CPA	MAT SEAL	RING SEAL	BLOCKED TERMINALS																STATUS	COMMENTS	INTEGRAL COMPONENTS SOLD SEPARATELY DRESS COVER
											CAVITY WITH A NUMBER INDICATES BLOCKED TERMINAL POSITION CAVITY WITHOUT A NUMBER INDICATES OPEN TERMINAL POSITION																		
											1	2	3	4	5	6	7	8	9	10	11	12	13	14	15	16			
MX123 CONN ASSY 56 CKT BLU OPT0 KEY G/32	345767213	C-HSG-G0	G-CAP-0-P	TPA-G0	RS	LS	MAL	CPA	MSEAL	RSEAL	-	-	54	53	-	-	-	-	-	-	-	-	-	-	-	44	-		
											-	-	40	39	38	37	36	-	-	-	32	-	30	-					
											-	-	-	25	24	23	22	-	20	-	-	17	-	-					
											-	-	-	11	10	9	8	7	6	5	-	-	2	-					
MX123 CONN ASSY 56 CKT BLU OPT0 KEY G/32	345767223	C-HSG-G0	G-CAP-0-P	TPA-G0	RS	LS	MAL	CPA	MSEAL	RSEAL	56	55	-	-	52	51	50	49	48	-	-	-	44	-					
											42	-	-	-	-	37	36	35	-	-	32	-	-						
											-	-	-	-	-	23	22	-	-	-	-	17	-	15					
											14	-	-	-	-	9	8	7	-	5	4	-	-	1					
MX123 CONN ASSY 56 CKT BLU OPT0 KEY G/7	345767233	C-HSG-G0	G-CAP-0-P	TPA-G0	RS	LS	MAL	CPA	MSEAL	RSEAL	56	55	54	53	52	51	50	49	48	47	-	-	44	43					
											42	41	40	39	38	37	36	35	34	-	32	31	30	29					
											28	27	26	25	24	23	22	-	20	19	-	-	16	15					
											14	13	12	11	10	9	8	7	6	5	4	-	2	1					
MX123 CONN ASSY 56 CKT BLU OPT0 KEY G/29	345767243	C-HSG-G0	G-CAP-0-P	TPA-G0	RS	LS	MAL	CPA	MSEAL	RSEAL	56	55	-	-	52	51	50	49	48	-	46	-	44	-					
											42	-	-	-	-	37	36	35	-	-	32	-	-						
											-	-	-	-	-	23	22	21	-	-	-	17	-	15					
											14	-	-	-	-	9	8	7	6	5	4	-	-	1					
MX123 CONN ASSY 56 CKT BLU OPT0 KEY G/35	345767253	C-HSG-G0	G-CAP-0-P	TPA-G0	RS	LS	MAL	CPA	MSEAL	RSEAL	-	55	-	-	-	51	50	49	48	-	-	-	44	-					
											42	-	-	-	-	37	36	35	34	-	-	-	-						
											-	-	-	-	-	-	22	21	-	-	-	17	-	15					
											14	-	-	-	-	-	-	7	6	5	4	-	-	1					
MX123 CONN ASSY 56 CKT BLU OPT0 KEY G/24	345767263	C-HSG-G0	G-CAP-0-P	TPA-G0	RS	LS	MAL	CPA	MSEAL	RSEAL	-	-	-	-	-	-	-	49	48	47	46	-	44	-					
											-	-	-	-	38	37	36	-	-	-	32	31	30	29					
											-	-	26	25	24	23	22	21	20	19	-	17	-	15					
											-	-	12	11	10	9	8	7	6	5	4	-	-	1					
MX123 CONN ASSY 56 CKT BLU OPT0 KEY G/23	345767273	C-HSG-G0	G-CAP-0-P	TPA-G0	RS	LS	MAL	CPA	MSEAL	RSEAL	-	-	-	-	-	-	-	49	48	47	46	-	44	43					
											-	-	-	-	38	37	36	-	-	-	32	31	30	29					
											-	-	26	25	24	23	22	21	20	19	-	17	-	15					
											-	-	12	11	10	9	8	7	6	5	4	-	-	1					
MX123 CONN ASSY 56 CKT BLU OPT0 KEY G/32	345767283	C-HSG-G0	G-CAP-0-P	TPA-G0	RS	LS	MAL	CPA	MSEAL	RSEAL	56	55	-	-	52	51	50	49	48	-	-	-	44	-					
											42	-	-	39	-	37	36	35	-	-	-	-	-						
											-	-	-	-	-	23	22	21	-	-	-	17	-	15					
											14	-	-	-	-	9	-	7	-	5	4	-	-	1					
MX123 CONN ASSY 56 CKT BLU OPT9 KEY G/35	345767293	C-HSG-G9	G-CAP-9-P	TPA-G9	RS	LS	MAL	CPA	MSEAL	RSEAL	56	55	-	-	52	51	50	-	-	-	-	-	44	-					
											42	-	-	39	-	37	36	35	34	-	-	-	-						
											-	-	-	-	-	23	22	21	-	-	-	17	-	-					
											14	-	-	-	-	9	-	7	-	5	4	-	-	-					
MX123 CONN ASSY 56 CKT BLU OPT0 KEY G/18	345767303	C-HSG-G0	G-CAP-0-P	TPA-G0	RS	LS	MAL	CPA	MSEAL	RSEAL	-	-	54	53	-	-	-	49	48	47	46	-	44	43					
											-	-	40	39	38	37	36	-	-	-	32	31	30	29					
											-	-	26	25	24	23	22	21	20	19	-	17	-	15					
											-	-	12	11	10	9	8	7	6	5	4	-	2	1					
MX123 CONN ASSY 56 CKT BLU OPT0 KEY G/26	345767313	C-HSG-G0	G-CAP-0-P	TPA-G0	RS	LS	MAL	CPA	MSEAL	RSEAL	-	-	-	-	-	-	-	49	48	47	46	-	44	43					
											-	-	-	-	38	37	36	-	-	-	32	31	30	29					
											-	-	26	25	24	-	22	21	20	19	-	-	-	15					
											-	-	12	11	10	-	8	7	6	5	4	-	-	1					
MX123 CONN ASSY 56 CKT BLU OPT0 KEY G/25	345767323	C-HSG-G0	G-CAP-0-P	TPA-G0	RS	LS	MAL	CPA	MSEAL	RSEAL	-	-	-	-	-	-	-	49	48	47	46	-	44	43					
											-	-	-	-	38	37	36	-	-	-	32	31	30	29					
											-	-	26	25	24	-	22	21	20	19	-	17	-	15					
											-	-	12	11	10	-	8	7	6	5	4	-	-	1					

ASSEMBLY DESCRIPTION	ASSEMBLY PART NUMBER	CONNECTOR HOUSING	GROMMET CAP	TPA	RIGHT SLIDE	LEFT SLIDE	MATE ASSIST LEVER	CPA	MAT SEAL	RING SEAL	BLOCKED TERMINALS																STATUS	COMMENTS	INTEGRAL COMPONENTS SOLD SEPARATELY DRESS COVER
											CAVITY WITH A NUMBER INDICATES BLOCKED TERMINAL POSITION CAVITY WITHOUT A NUMBER INDICATES OPEN TERMINAL POSITION																		
											1	2	3	4	5	6	7	8	9	10	11	12	13	14	15	16			
MX123 CONN ASSY 56 CKT BLU OPT0 KEY G/24	345767333	C-HSG-G0	G-CAP-0-P	TPA-G0	RS	LS	MAL	CPA	MSEAL	RSEAL	-	-	-	-	-	-	-	-	49	48	47	46	-	44	43	SALEABLE		345750003	
											-	-	-	-	38	37	36	-	-	-	32	31	30	29					
											-	-	26	25	24	23	22	21	20	19	-	-	-	15					
											-	-	12	11	10	9	8	7	6	5	4	-	-	1					
MX123 CONN ASSY 56 CKT BLU OPT0 KEY G/19	345767343	C-HSG-G0	G-CAP-0-P	TPA-G0	RS	LS	MAL	CPA	MSEAL	RSEAL	-	-	54	53	-	-	-	49	48	47	-	-	44	43	SALEABLE		345750003		
											-	-	40	39	38	37	36	35	34	-	32	31	30	29					
											-	-	26	25	24	23	22	-	20	19	-	-	-	15					
											-	-	12	11	10	9	8	7	6	5	4	-	2	1					
MX123 CONN ASSY 56 CKT BLU OPT0 KEY G/32	345767353	C-HSG-G0	G-CAP-0-P	TPA-G0	RS	LS	MAL	CPA	MSEAL	RSEAL	-	55	54	-	-	51	-	49	48	-	-	-	44	-	SALEABLE		345750003		
											42	41	-	39	-	37	36	35	-	-	-	-	-						
											-	-	-	-	-	23	22	21	-	-	-	17	-	15					
											14	-	-	-	-	9	-	7	6	5	4	-	-	1					
MX123 CONN ASSY 56 CKT GRY OPT0 KEY H/21	345767363	C-HSG-H0	G-CAP-0-P	TPA-H0	RS	LS	MAL	CPA	MSEAL	RSEAL	56	55	54	53	52	-	-	49	-	-	-	-	44	43	SALEABLE		345750003		
											42	41	40	39	38	37	36	35	-	-	-	-	30	-					
											28	27	26	25	24	23	22	-	-	19	18	17	16	15					
											14	13	12	11	10	-	-	-	-	5	-	-	-	-					
MX123 CONN ASSY 56 CKT BLU OPT9 KEY G/14	345767373	C-HSG-G9	G-CAP-9-P	TPA-G9	RS	LS	MAL	CPA	MSEAL	RSEAL	56	55	54	53	-	51	50	49	-	-	46	45	44	-	SALEABLE		345750003		
											42	41	-	39	38	-	-	35	-	33	32	31	-	29					
											28	27	26	25	-	23	22	21	-	19	18	17	16	-					
											-	13	12	11	10	9	8	-	6	5	4	3	2	1					
MX123 CONN ASSY 56 CKT BLU OPT9 KEY G/29	345767383	C-HSG-G9	G-CAP-9-P	TPA-G9	RS	LS	MAL	CPA	MSEAL	RSEAL	-	-	-	-	52	51	50	-	-	-	46	-	-	43	SALEABLE		345750003		
											42	41	-	-	38	-	-	-	-	-	32	31	30	-					
											28	27	26	-	24	23	22	21	-	-	-	17	-	-					
											14	-	-	11	10	-	8	-	-	5	4	3	2	-					
MX123 CONN ASSY 56 CKT BLU OPT0 KEY G/18	345767393	C-HSG-G0	G-CAP-0-P	TPA-G0	RS	LS	MAL	CPA	MSEAL	RSEAL	-	-	54	53	-	-	-	49	48	47	-	-	-	43	SALEABLE		345750003		
											-	-	40	39	38	37	36	35	34	33	32	31	30	29					
											28	27	26	25	24	23	22	-	20	-	-	17	16	-					
											-	-	12	11	10	9	-	7	6	5	4	-	2	1					
MX123 CONN ASSY 56 CKT BLU OPT0 KEY G/18	345767403	C-HSG-G0	G-CAP-0-P	TPA-G0	RS	LS	MAL	CPA	MSEAL	RSEAL	-	-	54	53	-	-	-	49	48	47	46	-	44	43	SALEABLE		345750003		
											-	-	40	39	38	37	36	35	34	33	32	31	30	29					
											-	-	26	25	24	23	-	21	20	19	-	-	-	15					
											-	-	12	11	10	9	-	7	6	5	4	-	2	1					
MX123 CONN ASSY 56 CKT BLU OPT0 KEY G/36	345767413	C-HSG-G0	G-CAP-0-P	TPA-G0	RS	LS	MAL	CPA	MSEAL	RSEAL	56	55	-	-	52	51	50	-	-	-	-	45	-	-	SALEABLE		345750003		
											42	41	-	-	-	-	-	35	34	33	-	-	-						
											28	27	-	-	-	-	22	-	-	-	18	-	16	-					
											14	13	-	-	-	-	8	-	-	-	-	3	-	-					
MX123 CONN ASSY 56 CKT BLU OPT0 KEY G/39	345767423	C-HSG-G0	G-CAP-0-P	TPA-G0	RS	LS	MAL	CPA	MSEAL	RSEAL	56	55	-	-	52	51	50	-	-	-	-	45	-	-	SALEABLE		345750003		
											42	41	-	-	-	-	-	-	-	-	-	-	-						
											28	27	-	-	-	-	22	-	-	-	18	-	16	-					
											14	13	-	-	-	-	8	-	-	-	-	3	-	-					
MX123 CONN ASSY 56 CKT BLU OPT0 KEY G/38	345767433	C-HSG-G0	G-CAP-0-P	TPA-G0	RS	LS	MAL	CPA	MSEAL	RSEAL	56	55	-	-	52	51	50	-	-	-	-	45	-	-	SALEABLE		345750003		
											42	41	-	-	-	-	-	-	-	-	-	-	-						
											28	27	-	-	-	-	22	-	-	-	18	17	16	-					
											14	13	-	-	-	-	8	-	-	-	-	3	-	-					
MX123 CONN ASSY 56 CKT BLU OPT0 KEY G/32	345767443	C-HSG-G0	G-CAP-0-P	TPA-G0	RS	LS	MAL	CPA	MSEAL	RSEAL	56	55	-	-	52	51	50	-	-	-	46	45	44	-	SALEABLE		345750003		
											42	41	-	-	-	-	-	35	34	33	-	-	-						
											28	27	-	-	-	-	22	21	-	19	18	-	16	-					
											14	13	-	-	-	-	8	-	-	-	-	3	-	-					

ASSEMBLY DESCRIPTION	ASSEMBLY PART NUMBER	CONNECTOR HOUSING	GROMMET CAP	TPA	RIGHT SLIDE	LEFT SLIDE	MATE ASSIST LEVER	CPA	MAT SEAL	RING SEAL	BLOCKED TERMINALS																STATUS	COMMENTS	INTEGRAL COMPONENTS SOLD SEPARATELY DRESS COVER
											CAVITY WITH A NUMBER INDICATES BLOCKED TERMINAL POSITION CAVITY WITHOUT A NUMBER INDICATES OPEN TERMINAL POSITION																		
MX123 CONN ASSY 56 CKT BLU OPT9 KEY G/27	345769503	C-HSG-G9	G-CAP-9-P	TPA-G9	RS	LS	MAL	CPA	MSEAL	RSEAL	-	-	-	-	52	51	50	49	48	-	-	45	-	-	SALEABLE		345750003		
											-	41	40	-	-	37	36	35	34	-	-	31	-	-					
											-	-	-	-	24	23	22	21	20	19	18	17	16	15					
											-	-	-	-	-	-	-	-	6	5	4	3	2	1					
MX123 CONN ASSY 56 CKT BLU OPT0 KEY G/29	345769533	C-HSG-G0	G-CAP-0-P	TPA-G0	RS	LS	MAL	CPA	MSEAL	RSEAL	56	55	54	-	52	51	50	49	48	47	-	-	-	-	SALEABLE		345750003		
											42	41	40	39	38	37	36	35	-	-	32	31	30	-					
											-	-	26	25	24	-	-	-	-	19	18	-	-	-					
											-	-	-	-	-	-	-	-	-	-	-	-	2	1					

UNCHECKED cavity number(s) are OPEN													
56	55	54	53	52	51	50	49	48	47	46	45	44	43
<input type="checkbox"/>	<input type="checkbox"/>	<input type="checkbox"/>	<input type="checkbox"/>	<input type="checkbox"/>	<input type="checkbox"/>	<input type="checkbox"/>	<input checked="" type="checkbox"/>	<input checked="" type="checkbox"/>	<input checked="" type="checkbox"/>	<input checked="" type="checkbox"/>	<input type="checkbox"/>	<input checked="" type="checkbox"/>	<input checked="" type="checkbox"/>
42	41	40	39	38	37	36	35	34	33	32	31	30	29
<input type="checkbox"/>	<input type="checkbox"/>	<input type="checkbox"/>	<input type="checkbox"/>	<input checked="" type="checkbox"/>	<input checked="" type="checkbox"/>	<input checked="" type="checkbox"/>	<input type="checkbox"/>	<input type="checkbox"/>	<input type="checkbox"/>	<input checked="" type="checkbox"/>	<input checked="" type="checkbox"/>	<input checked="" type="checkbox"/>	<input checked="" type="checkbox"/>
28	27	26	25	24	23	22	21	20	19	18	17	16	15
<input type="checkbox"/>	<input type="checkbox"/>	<input checked="" type="checkbox"/>	<input checked="" type="checkbox"/>	<input checked="" type="checkbox"/>	<input checked="" type="checkbox"/>	<input checked="" type="checkbox"/>	<input checked="" type="checkbox"/>	<input checked="" type="checkbox"/>	<input checked="" type="checkbox"/>	<input type="checkbox"/>	<input type="checkbox"/>	<input type="checkbox"/>	<input checked="" type="checkbox"/>
14	13	12	11	10	9	8	7	6	5	4	3	2	1
<input type="checkbox"/>	<input type="checkbox"/>	<input checked="" type="checkbox"/>	<input checked="" type="checkbox"/>	<input checked="" type="checkbox"/>	<input checked="" type="checkbox"/>	<input checked="" type="checkbox"/>	<input checked="" type="checkbox"/>	<input checked="" type="checkbox"/>	<input checked="" type="checkbox"/>	<input checked="" type="checkbox"/>	<input type="checkbox"/>	<input type="checkbox"/>	<input checked="" type="checkbox"/>

FOR ADDITIONAL INFORMATION SEE SD-34576-001

STATUS	GM PART #	HRNS CONN ASSY			TPA		GROMMET CAP																	
		MATERIAL/PART	WIRE DRESS OPTION	KEY OPTION	COLOR OPTION	NUMBERS INDICATE CAVITIES OPEN FOR CIRCUITS																		
		NUMBER																						
SALEABLE	12672838	34576-0103	0	A	BLACK																			
CONCEPT ONLY	12672840	34576-0203	0	B	ST GRY	48	47	46	45	44	43	42	41	40	39	38	37	36	35					
SALEABLE	12672842	34576-0303	0	C	BLUE	34	33	32	31	30	29	28	27	26	25	24	23	22	21					
CONCEPT ONLY	TBD	34576-0403	0	D	BROWN	49					20	19	18	17	16	15	14	13	12	11				
CONCEPT ONLY	TBD	34576-0503	0	E	GREEN	49					10	9	8	7	6	5	4	3	2	1				
CONCEPT ONLY	TBD	34576-0603	0	F	NATURAL																			
SALEABLE	12672848	34576-0703	0	G	BLUE																			
SALEABLE	12672846	34576-0803	0	H	ST GRY	56	55	54	53	52	51	50	49	48	47	46	45	44	43					
TOOL DES. REL.	12672844	34576-0903	0	J	BLACK	42	41	40	39	38	37	36	35	34	33	32	31	30	29					
TOOL DES. REL.	TBD	34576-1003	0	K	BROWN	28	27	26	25	24	23	22	21	20	19	18	17	16	15					
TOOL DES. REL.	TBD	34576-1103	0	L	GREEN	14	13	12	11	10	9	8	7	6	5	4	3	2	1					
TOOL DES. REL.	TBD	34576-1203	0	M	NATURAL																			
SALEABLE	12672839	34576-1303	9	A	BLACK																			
CONCEPT ONLY	12672841	34576-1403	9	B	ST GRY	48	47	46	45	44	43	42	41	40	39	38	37	36	35					
SALEABLE	12672843	34576-1503	9	C	BLUE	34	33	32	31	30	29	28	27	26	25	24	23	22	21					
CONCEPT ONLY	TBD	34576-1603	9	D	BROWN	49					20	19	18	17	16	15	14	13	12	11				
CONCEPT ONLY	TBD	34576-1703	9	E	GREEN	49					10	9	8	7	6	5	4	3	2	1				
CONCEPT ONLY	TBD	34576-1803	9	F	NATURAL																			
SALEABLE	12672849	34576-1903	9	G	BLUE																			



MX123 18/28/42/49/56-WAY RECEPTACLE ASSY SEALED PIN OUT SHEET

STATUS	GM PART #	HRNS CONN ASSY			TPA GROMMET CAP																
		MATERIAL/PART	WIRE DRESS OPTION	KEY OPTION ▽ Fp	COLOR OPTION ▽ Fp	NUMBERS INDICATE CAVITIES OPEN FOR CIRCUITS ▽ Fp															
		NUMBER																			
TOOL DES. REL.	12672847	34576-2003	9	H	ST GRY	56	55	54	53	52	51	50	49	48	47	46	45	44	43		
TOOL DES. REL.	12672845	34576-2103	9	J	BLACK	42	41	40	39	38	37	36	35	34	33	32	31	30	29		
TOOL DES. REL.	TBD	34576-2203	9	K	BROWN	28	27	26	25	24	23	22	21	20	19	18	17	16	15		
TOOL DES. REL.	TBD	34576-2303	9	L	GREEN	14	13	12	11	10	9	8	7	6	5	4	3	2	1		
TOOL DES. REL.	TBD	34576-2403	9	M	NATURAL																
SALEABLE	12672834	34851-0007	0	G	BLUE																
SALEABLE	12672836	34851-0008	0	H	ST GRY								17	16	15	14					
													13	12	11	10			1		
													9	8	7	6					
													5	4	3	2					
SALEABLE	12672835	34851-0019	9	G	BLUE																
SALEABLE	12672837	34851-0020	9	H	ST GRY								17	16	15	14					
													13	12	11	10			1		
													9	8	7	6					
													5	4	3	2					
CONCEPT ONLY		160095-0001	0	A	BLACK																
CONCEPT ONLY		160095-0002	0	B	ST GRY								26	25	24	23	22	21			
CONCEPT ONLY		160095-0003	0	C	BLUE								20	19	18	17	16	15	1		
													14	13	12	11	10	9			
													8	7	6	5	4	3	2		
CONCEPT ONLY		160095-0013	9	A	BLACK																
CONCEPT ONLY		160095-0014	9	B	ST GRY								21	22	23	24	25	26			
CONCEPT ONLY		160095-0015	9	C	BLUE								15	16	17	18	19	20	27		
													9	10	11	12	13	14			
													3	4	5	6	7	8	28		
CONCEPT ONLY		160051-0001	0	A	BLACK																
CONCEPT ONLY		160051-0003	0	C		1	2	3	4	5	6	7	8	9	10						
						11	12	13	14	15	16	17	18	19	20						
													21	22	23	24	25	26	27		
													31	32	33	34	35	36	37		
																			28		
																			29		
																			30		
																			39		
																			40		
CONCEPT ONLY		160051-0013	9	A	BLACK																



MX123 18/28/42/49/56-WAY RECEPTACLE ASSY SEALED PIN OUT SHEET

STATUS	GM PART #	HRNS CONN ASSY			TPA GROMMET CAP														
		MATERIAL/PART	WIRE DRESS OPTION	KEY OPTION ▽ Fp	COLOR OPTION ▽ Fp	NUMBERS INDICATE CAVITIES OPEN FOR CIRCUITS ▽ Fp													
		NUMBER				40	39	38	37	36	35	34	33	32	31	41			
CONCEPT ONLY		160051-0015	9	C	BLUE	40	39	38	37	36	35	34	33	32	31	41			
						30	29	28	27	26	25	24	23	22	21				
						42				20	19	18	17	16	15	14	13	12	11
						10	9	8	7	6	5	4	3	2	1				
SALEABLE	NOT APPLICABLE	34576-2503	0	G	BLUE	56	55	54	53				49	48	47			44	
								40			37	36	35	34	33				
														20	19	18			
							13	12			9		7	6				2	
SALEABLE	NOT APPLICABLE	34576-2603	0	G	BLUE	56	55	54	53				49	48	47			44	
								40			37	36	35	34	33				
														20	19	18			
							13	12			9		7	6					
SALEABLE	NOT APPLICABLE	34576-2703	0	G	BLUE														
SALEABLE	NOT APPLICABLE	34576-2803	0	G	BLUE		55	54	53		51		49	48	47			44	
								40			37	36	35	34	33				
								26						20	19	18			
							13	12			9		7						
SALEABLE	NOT APPLICABLE	34576-2903	0	G	BLUE	56	55		53				49	48	47	46	45	44	
								40	39		37	36	35	34	33			30	
									25					20	19	18			
							13	12			9		7						
SALEABLE	NOT APPLICABLE	34576-3003	0	G	BLUE	56	55	54	53				49	48	47			44	
								40			37	36	35	34	33				29
														20	19	18		16	15
							13	12			9		7	6				2	
SALEABLE	NOT APPLICABLE	34576-3103	0	G	BLUE	56	55	54	53				49	48	47	46	45	44	
								40	39		37	36	35	34	33				
														20	19	18			
							13	12			9		7						
SALEABLE	NOT APPLICABLE	34576-3203	0	G	BLUE		55	54	53				49	48	47	46		44	
								40			37	36	35	34	33	32	31		
								26						20	19	18			
							13	12			9		7						



MX123 18/28/42/49/56-WAY RECEPTACLE ASSY SEALED PIN OUT SHEET

STATUS	GM PART #	HRNS CONN ASSY			TPA GROMMET CAP																			
		MATERIAL/PART	WIRE DRESS OPTION	KEY OPTION ▽ Fp	COLOR OPTION ▽ Fp	NUMBERS INDICATE CAVITIES OPEN FOR CIRCUITS ▽ Fp																		
		NUMBER				56	55	54					49	48	47			44						
SALEABLE	NOT APPLICABLE	34576-3303	0	G	BLUE			40				37	36	35	34	33		20	19	18				
							13	12				9		7	6									
SALEABLE	NOT APPLICABLE	34576-3403	0	G	BLUE		55	54	53					49	48	47							44	
								40	39			37	36	35	34	33								
								26							20	19	18							
							13	12				9		7										
SALEABLE	NOT APPLICABLE	34576-3503	0	G	BLUE	56	55		53					49	48	47							44	
								40				37	36	35	34	33								
															20	19	18							
								13	12			9		7	6								2	
SALEABLE	NOT APPLICABLE	34576-3603	0	G	BLUE		55	54	53					49	48	47							44	
								40				37	36	35	34	33								
								26							20	19	18							
								13	12			9		7										
SALEABLE	NOT APPLICABLE	34576-3703	0	G	BLUE	56	55	54	53					49	48	47							44	
								40				37	36	35	34	33							29	
															20	19	18					16	15	
								13	12			9		7	6							2		
SALEABLE	NOT APPLICABLE	34576-3803	0	G	BLUE	56		54	53					49		47	46					44		
								40	39			37	36	35		33	32	31					29	
									25						20	19	18						15	
								13	12			9		7								2		
SALEABLE	NOT APPLICABLE	34576-3903	0	G	BLUE	56		54	53					49		47						44		
								40	39			37	36	35		33							29	
									25						20	19	18						15	
								13	12			9		7										
SALEABLE	NOT APPLICABLE	34576-4003	0	G	BLUE	56	55	54	53					49	48	47					45	44		
								40	39			37	36	35	34	33							29	
									25						20	19	18					16	15	
								13	12			9		7	6								1	
SALEABLE	NOT APPLICABLE	34576-4103	0	G	BLUE	56	55	54	53					49	48	47	46					44		
								40	39	38	37	36	35	34	33	32	31						29	
									25						20	19	18					16		
								13	12			9		7										

STATUS	GM PART #	HRNS CONN ASSY			TPA GROMMET CAP																	
		MATERIAL/PART	WIRE DRESS OPTION	KEY OPTION ▽ Fp	COLOR OPTION ▽ Fp	NUMBERS INDICATE CAVITIES OPEN FOR CIRCUITS ▽ Fp																
		NUMBER				56	55	54	53				49	48	47		45	44				
SALEABLE	NOT APPLICABLE	34576-4203	0	G	BLUE			40	39		37	36	35	34	33		20	19	18			
							13	12			9		7									
SALEABLE	NOT APPLICABLE	34576-4303	0	G	BLUE	56	55	54	53		51		49	48	47		45	44				
							41	40		38	37	36	35	34	33							30
								26	25	24		22	21	20	19		17					
							13	12			9		7			4	3					1
SALEABLE	NOT APPLICABLE	34576-4403	0	G	BLUE	56	55	54	53				49	48	47	46		44				
								40	39		37	36	35	34	33	32	31	30				29
									25				20	19	18		16					
								12			9		7									
SALEABLE	NOT APPLICABLE	34576-4503	0	G	BLUE	56	55		53				49	48	47	46		44				
								40	39		37	36	35	34	33	32	31	30				
									25	24		22	21	20	19	18		16				
							13	12			9		7			4		2	1			
SALEABLE	NOT APPLICABLE	34576-4603	0	G	BLUE	56	55	54	53				49	48	47	46		44				
								40	39		37	36	35	34	33	32	31	30				29
									25				20	19	18		16					
							13	12			9		7									
SALEABLE	NOT APPLICABLE	34576-4703	0	G	BLUE	56	55		53		51		49	48	47						44	
								40	39		37	36	35	34	33						30	
									25			22	21	20	19	18		16			15	
							13	12			9		7			4		2	1			
SALEABLE	NOT APPLICABLE	34576-4803	0	G	BLUE		55		53		51		49	48	47						44	
								40	39		37	36	35	34	33							29
								26					20	19	18		16			15		
							13	12			9		7			4		2				
SALEABLE	NOT APPLICABLE	34576-4903	9	G	BLUE		55	54	53				49	48	47	46		44				
								40			37	36	35	34	33	32	31					
								26					20	19	18							
							13	12			9		7									
SALEABLE	NOT APPLICABLE	34576-5003	0	G	BLUE		55	54	53				49	48	47		45	44				
								40			37	36	35	34	33							
								26					20	19	18							
							13	12			9		7									



MX123 18/28/42/49/56-WAY RECEPTACLE ASSY SEALED PIN OUT SHEET

STATUS	GM PART #	HRNS CONN ASSY			TPA GROMMET CAP																		
		MATERIAL/PART	WIRE DRESS OPTION	KEY OPTION ▽ Fp	COLOR OPTION ▽ Fp	NUMBERS INDICATE CAVITIES OPEN FOR CIRCUITS ▽ Fp																	
		NUMBER																					
SALEABLE	NOT APPLICABLE	34576-5103	0	G	BLUE		55		53		51		49	48	47			44					
								40			37	36	35	34	33						16	15	29
							13	12			9		7			20	19	18		4			
SALEABLE	NOT APPLICABLE	34576-5203	0	G	BLUE	56	55	54	53				49	48	47			44					
								40	39		37	36	35	34	33								29
							13	12			9		7			20	19	18					
TOOL DES. REL.	NOT APPLICABLE	34576-5303	9	G	BLUE																		
SALEABLE	NOT APPLICABLE	34576-5403	0	G	BLUE		55		53		51		49	48	47			44					
								40	39		37	36	35	34	33						30		
								26	25			22	21	20	19	18					16		
SALEABLE	NOT APPLICABLE	34576-5503	0	G	BLUE		13	12			9		7			4		2	1				
						56	55		53		51		49	48	47					44			
								40	39		37	36	35	34	33						30		
SALEABLE	NOT APPLICABLE	34576-5603	0	G	BLUE				25			22	21	20	19	18			16				
							13	12			9		7			4		2	1				
						56	55		53			49	48	47	46			44					
SALEABLE	NOT APPLICABLE	34576-5703	0	G	BLUE			40	39		37	36	35	34	33	32	31	30					
								26	25			22	21	20	19	18				16			
							13	12			9		7			4		2	1				
SALEABLE	NOT APPLICABLE	34576-5803	0	G	BLUE		55		53				49	48	47	46	45	44					
								40	39		37	36	35	34	33								
								26	25					20	19	18							
SALEABLE	NOT APPLICABLE	34576-5903	0	G	BLUE		13	12			9		7										
						56			53	52					47		45		43				
							41	40	39	38					34	33		31	30	29			
	28	27	26	25	24				20	19	18			16									
		13	12	11	10										3	2							



MX123 18/28/42/49/56-WAY RECEPTACLE ASSY SEALED PIN OUT SHEET

STATUS	GM PART #	HRNS CONN ASSY			TPA GROMMET CAP																						
		MATERIAL/PART	WIRE DRESS OPTION	KEY OPTION Fp	COLOR OPTION Fp	NUMBERS INDICATE CAVITIES OPEN FOR CIRCUITS Fp																					
		NUMBER																									
SALEABLE	NOT APPLICABLE	34576-6003	0	G	BLUE	56			53	52		50			47		45		43								
								40	39	38				34	33		31	30	29								
						28	27	26	25	24				20	19	18		16									
						14	13	12	11	10						5	4	3	2								
SALEABLE	NOT APPLICABLE	34576-6103	0	G	BLUE	56	55	54	53		51		49	48	47			44									
								40	39		37	36	35	34	33							29					
															20	19	18		16	15							
							13	12			9		7				4		2								
SALEABLE	NOT APPLICABLE	34576-6203	0	G	BLUE		55	54	53				49	48	47	46	45	44									
								40	39		37	36	35	34	33												
								26							20	19	18										
							13	12			9		7														
SALEABLE	NOT APPLICABLE	34576-6303	0	G	BLUE		55	54	53		51		49	48	47			44									
								40	39		37	36	35	34	33												
								26							20	19	18		16	15							
							13	12			9		7				4		2								
SALEABLE	NOT APPLICABLE	34576-6403	0	G	BLUE		55	54					49	48	47			44									
							41	40			37	36	35	34	33												
															20	19	18										
							13	12			9	8	7						3								
SALEABLE	NOT APPLICABLE	34576-6503	0	G	BLUE			54						47	46	45		43									
							41	40	39	38	37				33	32	31	30	29								
						28	27	26	25	24	23				20	19	18		16								
							13	12	11	10	9								3	2							
SALEABLE	NOT APPLICABLE	34576-6603	0	G	BLUE			54						47	46	45		43									
							41	40	39	38	37				34	33	32	31	30	29							
						28	27	26	25	24	23				20	19	18		16								
							13	12	11	10	9								3	2							
SALEABLE	NOT APPLICABLE	34576-6703	0	G	BLUE					52	51			48		46	45		43								
							41	40	39	38					33	32	31	30	29								
						28		26	25	24					20	19	18		16	15							
							13	12	11	10									3	2	1						
SALEABLE	NOT APPLICABLE	34576-6803	0	G	BLUE					52				48		46	45		43								
							41	40	39	38						33	32	31	30	29							
						28		26	25	24					20	19	18		16	15							
							13	12	11	10									3	2	1						



MX123 18/28/42/49/56-WAY RECEPTACLE ASSY SEALED PIN OUT SHEET

STATUS	GM PART #	HRNS CONN ASSY			TPA GROMMET CAP																	
		MATERIAL/PART	WIRE DRESS OPTION	KEY OPTION ▽ Fp	COLOR OPTION ▽ Fp	NUMBERS INDICATE CAVITIES OPEN FOR CIRCUITS ▽ Fp																
		NUMBER				56	55	54	53		51	50	49		47			44				
SALEABLE	NOT APPLICABLE	34576-6813	0	G	BLUE																	
SALEABLE	NOT APPLICABLE	34576-6823	0	G	BLUE																	
SALEABLE	NOT APPLICABLE	34576-6833	0	G	BLUE																	
SALEABLE	NOT APPLICABLE	34576-6843	0	G	BLUE																	
SALEABLE	NOT APPLICABLE	34576-6853	0	G	BLUE																	
SALEABLE	NOT APPLICABLE	34576-6863	0	G	BLUE																	
SALEABLE	NOT APPLICABLE	34576-6873	0	G	BLUE																	
SALEABLE	NOT APPLICABLE	34576-6883	0	G	BLUE																	
SALEABLE	NOT APPLICABLE	34576-6893	0	G	BLUE																	



MX123 18/28/42/49/56-WAY RECEPTACLE ASSY SEALED PIN OUT SHEET

STATUS	GM PART #	HRNS CONN ASSY			TPA GROMMET CAP																
		MATERIAL/PART	WIRE DRESS OPTION	KEY OPTION ▽ Fp	COLOR OPTION ▽ Fp	NUMBERS INDICATE CAVITIES OPEN FOR CIRCUITS ▽ Fp															
		NUMBER																			
SALEABLE	NOT APPLICABLE	34576-6913	9	G	BLUE			54	53							47	46	45		43	
							41	40		38						33	32	31	30	29	
						28	27	26	25	24				20	19	18			3	2	
SALEABLE	NOT APPLICABLE	34576-6923	9	G	BLUE			54	53							47	46	45		43	
							41	40	39	38						33	32	31	30	29	
						28	27	26	25	24	23			20	19	18				16	
TOOL DES. REL.	NOT APPLICABLE	34851-0025	0	G	BLUE	18										1					
TOOL DES. REL.	NOT APPLICABLE	34851-0026	0	H	ST GRY	18										1					
SALEABLE	NOT APPLICABLE	34576-6933	0	G	BLUE		55	54	53					49	48	47	46	45	44		
								40				37	36	35	34	33					
								26							20	19	18				
SALEABLE	NOT APPLICABLE	34576-6943	0	G	BLUE			54	53							47	46	45		43	
							41	40		38						33	32	31	30	29	
						28	27	26	25	24				20	19	18				16	
SALEABLE	NOT APPLICABLE	34576-6953	0	G	BLUE			54	53							47	46	45		43	
							41	40	39	38						33	32	31	30	29	
						28	27	26	25	24	23			20	19	18				16	
SALEABLE	NOT APPLICABLE	34576-6963	0	G	BLUE			56	53	52						47	46	45		43	
							41	40	39	38					34	33	32	31	30	29	
						28	27	26	25	24	23			20	19	18				16	
SALEABLE	NOT APPLICABLE	34576-6973	0	G	BLUE					52	51	50								43	
							42	41		39	38							32	31	30	29
						28	27		25	24	23	22	21					17	16	15	
						14			11	10		8		6	5	4	3	2	1		



MX123 18/28/42/49/56-WAY RECEPTACLE ASSY SEALED PIN OUT SHEET

STATUS	GM PART #	HRNS CONN ASSY			TPA GROMMET CAP															
		MATERIAL/PART	WIRE DRESS OPTION	KEY OPTION Fp	COLOR OPTION Fp	NUMBERS INDICATE CAVITIES OPEN FOR CIRCUITS Fp														
		NUMBER																		
SALEABLE	NOT APPLICABLE	34576-7073	0	G	BLUE			54	53	52					47	46	45		43	
							41	40		38					33	32	31	30	29	
						28	27	26	25	24				20	19	18		16		
							13	12	11	10		8						3	2	
SALEABLE	NOT APPLICABLE	34576-7083	0	G	BLUE			54	53	52					47	46	45		43	
							41	40		38				34	33	32	31	30	29	
						28	27	26	25	24				20	19	18		16		
							13	12	11	10		8						3	2	
SALEABLE	NOT APPLICABLE	34576-7093	0	G	BLUE			54	53					47	46	45		43		
							41	40		38					33	32	31	30	29	
						28	27	26	25	24				20	19	18		16		
							13	12	11	10		8						3	2	
SALEABLE	NOT APPLICABLE	34576-7103	0	G	BLUE	56	55			52	51	50	49	48	47		45		43	
						42	41						35	34	33				29	
						28	27	26									18	17	16	15
						14	13	12										3		1
SALEABLE	NOT APPLICABLE	34576-7113	0	G	BLUE			54						47	46	45		43		
							41	40		38					33	32	31	30	29	
						28	27	26	25	24				20	19	18		16		
							13	12	11	10		8						3	2	
SALEABLE	NOT APPLICABLE	34576-7123	0	G	BLUE	56	55			52	51	50	49	48	47		45		43	
						42	41						35	34	33				29	
						28	27	26									18		16	15
						14	13	12										3		1
SALEABLE	NOT APPLICABLE	34576-7133	9	G	BLUE	56		54	53	52					47	46	45		43	
							41	40	39	38					34	33	32	31	30	29
						28	27	26	25	24	23				20	19	18		16	
							13	12	11	10	9	8							3	2
SALEABLE	NOT APPLICABLE	34576-7143	9	G	BLUE	56	55	54	53	52	51				47	46	45		43	
							41	40		38					34	33	32	31	30	29
						28	27	26	25	24					20	19	18		16	
							13	12	11	10		8							3	2
SALEABLE	NOT APPLICABLE	34576-7153	9	G	BLUE	56		54	53	52			49		47	46	45		43	
							41	40	39	38					34	33	32	31	30	29
						28	27	26	25	24	23				20	19	18		16	
							13	12	11	10	9	8							3	2



MX123 18/28/42/49/56-WAY RECEPTACLE ASSY SEALED PIN OUT SHEET

STATUS	GM PART #	HRNS CONN ASSY			TPA GROMMET CAP																		
		MATERIAL/PART	WIRE DRESS OPTION	KEY OPTION ▽ Fp	COLOR OPTION ▽ Fp	NUMBERS INDICATE CAVITIES OPEN FOR CIRCUITS ▽ Fp																	
		NUMBER																					
SALEABLE	NOT APPLICABLE	34576-7163	0	G	BLUE				53				49		47	46	45	44					
								40			37	36	35		33								
								26						20	19	18							
SALEABLE	NOT APPLICABLE	34576-7173	9	G	BLUE			13	12			9		7									
						55				52	51			48		46	45					43	
						41	40			38					33	32	31	30	29				
SALEABLE	NOT APPLICABLE	34576-7183	0	G	BLUE	28		26		24				20	19	18		16	15				
							13	12		10									3	2	1		
						56	55			53				49	48	47	46		44				
SALEABLE	NOT APPLICABLE	34576-7193	9	G	BLUE			40	39		37	36	35	34	33	32	31	30					
									25	24		22	21	20	19	18		16					
							13	12			9		7				4		2	1			
SALEABLE	NOT APPLICABLE	34576-7203	0	G	BLUE	56	55	54	53	52	51				47	46	45		43				
							41	40		38				34	33	32	31	30	29				
						28	27	26	25	24				20	19	18		16					
SALEABLE	NOT APPLICABLE	34576-7213	0	G	BLUE			13	12	11	10		8					3	2				
						56	55			52	51	50	49	48	47	46	45		43				
						42	41							35	34	33		31		29			
SALEABLE	NOT APPLICABLE	34576-7223	0	G	BLUE	28	27	26	25	24				21	20	19	18		16	15			
							14	13	12									4	3	2	1		
										54	53							47	46	45		43	
SALEABLE	NOT APPLICABLE	34576-7233	0	G	BLUE			41	40	39	38				34	33		31	30	29			
								28	27	26	25	24				21	20	19	18		16		
									13	12	11	10					6				3	2	
SALEABLE	NOT APPLICABLE	34576-7243	0	G	BLUE											46	45						
																33		18	17				
																21				3			
SALEABLE	NOT APPLICABLE	34576-7243	0	G	BLUE				54	53						47		45		43			
								41	40	39	38				34	33		31	30	29			
						28	27	26	25	24				20	19	18		16					
			13	12	11	10									3	2							



MX123 18/28/42/49/56-WAY RECEPTACLE ASSY SEALED PIN OUT SHEET

STATUS	GM PART #	HRNS CONN ASSY			TPA GROMMET CAP																			
		MATERIAL/PART	WIRE DRESS OPTION	KEY OPTION ▽ Fp	COLOR OPTION ▽ Fp	NUMBERS INDICATE CAVITIES OPEN FOR CIRCUITS ▽ Fp																		
		NUMBER				56	55	54	53	52	51	50					45							
SALEABLE	NOT APPLICABLE	34576-7323	0	G	BLUE	42	41	40	39						35	34	33							
						28	27					23						18			16			
						14	13					9									3		2	
						56	55	54	53	52	51	50									45			
SALEABLE	NOT APPLICABLE	34576-7333	0	G	BLUE	42	41	40	39						35	34	33							
						28	27											18	17	16				
						14	13														3		2	
						56	55	54	53	52	51	50									45			
SALEABLE	NOT APPLICABLE	34576-7343	0	G	BLUE	42	41									33								
						28	27							21			18	17	16					
						14	13														3			
						56	55			52	51	50								46	45			
SALEABLE	NOT APPLICABLE	34576-7353	0	G	BLUE	28	27	26	25	24					20	19	18							
							13	12	11	10			8							3		2		
SALEABLE	NOT APPLICABLE	34851-0029	9	G	BLUE	18								14	1									
												11	10											
												8	7											
												4	3	2										
SALEABLE	NOT APPLICABLE	34576-7363	0	H	ST. GRAY							51	50		48	47	46	45						
															21	20						29		
												9	8	7	6		4	3	2	1				
SALEABLE	NOT APPLICABLE	34576-7373	9	G	BLUE					52					48	47								
								40			37	36		34						30				
										24					20									
						14									7									
SALEABLE	NOT APPLICABLE	34851-0030	0	H	ST. GRAY	18						17	16	15	14	1								
														10										
														6										
												4	3	2										
SALEABLE	NOT APPLICABLE	34576-9113	0	A	BLACK	49																		



MX123 18/28/42/49/56-WAY RECEPTACLE ASSY SEALED PIN OUT SHEET

STATUS	GM PART #	HRNS CONN ASSY			TPA GROMMET CAP														
		MATERIAL/PART	WIRE DRESS OPTION	KEY OPTION ▽ Fp	COLOR OPTION ▽ Fp	NUMBERS INDICATE CAVITIES OPEN FOR CIRCUITS ▽ Fp													
		NUMBER																	
SALEABLE	NOT APPLICABLE	34576-9123	0	C	BLUE														
						49													
SALEABLE	NOT APPLICABLE	34576-7383	9	G	BLUE	56	55	54	53			49	48	47		45	44		
								40	39		37	36	35	34	33				29
									25					20	19	18		16	15
							13	12			9		7	6					1
SALEABLE	NOT APPLICABLE	34576-7393	0	G	BLUE	56	55			52	51	50				46	45	44	
						42	41									21		19	18
																			15
						14	13					8						3	
SALEABLE	NOT APPLICABLE	34576-7403	0	G	BLUE	56	55			52	51	50						45	
						42	41												
						28	27					22					18	17	16
						14	13					8						3	
SALEABLE	NOT APPLICABLE	34576-7413	0	G	BLUE			54	53				49	48	47	46		44	43
								40	39	38	37	36				32	31	30	29
								26	25	24	23		21	20	19		17		15
								12	11	10	9		7	6	5	4		2	1
SALEABLE	NOT APPLICABLE	34576-7423	0	G	BLUE			54	53				49	48	47	46		44	43
								40	39	38	37	36	35	34	33	32	31	30	29
								26	25	24	23		21	20	19		17		15
								12	11	10	9		7	6	5	4		2	1
SALEABLE	NOT APPLICABLE	34576-7433	0	G	BLUE			54	53				49	48	47	46		44	43
								40	39	38	37	36	35	34	33	32	31	30	29
								26	25	24	23		21	20	19				15
								12	11	10	9		7	6	5	4		2	1
SALEABLE	NOT APPLICABLE	34576-7443	0	G	BLUE			54	53				49	48	47				43
								40	39	38	37	36				32	31	30	29
								26	25	24	23			20			17		15
								12	11	10	9		7	6	5	4		2	1
SALEABLE	NOT APPLICABLE	34576-7453	9	G	BLUE					52				48	47		45		43
								40			37	36		34				30	
										24				20					15
						14							7						



MX123 18/28/42/49/56-WAY RECEPTACLE ASSY SEALED PIN OUT SHEET

STATUS	GM PART #	HRNS CONN ASSY			TPA GROMMET CAP																			
		MATERIAL/PART	WIRE DRESS OPTION	KEY OPTION ▽ Fp	COLOR OPTION ▽ Fp	NUMBERS INDICATE CAVITIES OPEN FOR CIRCUITS ▽ Fp																		
		NUMBER																						
SALEABLE	NOT APPLICABLE	34576-7463	9	G	BLUE													33		31				
											24	23	22	21	20	19	18				16			
											10	9	8	7	6							2		
SALEABLE	NOT APPLICABLE	34576-7473	9	G	BLUE	56	55	54	53			51	50	49			46				44			
						42	41		39	38				35		33	32	31						29
						28	27	26	25		23	22	21		19	18	17	16						
							13	12	11	10	9	8			6	5	4	3	2	1				
SALEABLE	NOT APPLICABLE	34576-7483	0	G	BLUE	56	55			52	51	50					45							
						42	41							35	34	33								
						28	27										18				16			
						14	13										4	3						
SALEABLE	NOT APPLICABLE	34576-7493	0	G	BLUE	56	55	54	53	52	51	50						45						
						42	41	40	39															
						28	27										18				16			
						14	13										4	3	2					
SALEABLE	NOT APPLICABLE	34576-7503	0	G	BLUE	56	55			52	51	50						45						
						42	41																	
						28	27										18				16			
						14	13										4	3						
SALEABLE	NOT APPLICABLE	34576-7513	0	G	BLUE	56	55	54	53	52	51	50	49	48	47	46	45	44	43					
						42	41	40	39	38				35	34	33	32	31	30	29				
						28	27	26	25		23	22	21		19	18	17	16	15					
						14	13	12	11	10	9	8		6	5	4	3	2	1					
SALEABLE	NOT APPLICABLE	34576-7523	9	G	BLUE						37	36												
										24					20									
														7										
SALEABLE	NOT APPLICABLE	34576-7533	9	G	BLUE	56		54	53	52				49	48	47	46	45					43	
							41	40	39	38					34	33	32	31	30	29				
						28	27	26	25	24	23				20	19	18				16			
							13	12	11	10	9	8							3	2				
SALEABLE	NOT APPLICABLE	34576-7543	9	G	BLUE	56		54	53	52					48	47	46	45					43	
							41	40	39	38					34	33	32	31	30	29				
						28	27	26	25	24	23				20	19	18				16			
							13	12	11	10	9	8							3	2				



MX123 18/28/42/49/56-WAY RECEPTACLE ASSY SEALED PIN OUT SHEET

STATUS	GM PART #	HRNS CONN ASSY			TPA GROMMET CAP															
		MATERIAL/PART	WIRE DRESS OPTION	KEY OPTION Fp	COLOR OPTION Fp	NUMBERS INDICATE CAVITIES OPEN FOR CIRCUITS Fp														
		NUMBER																		
SALEABLE	NOT APPLICABLE	34576-7553	0	A	BLACK	48		46		44	43			40	39	38			35	
						34	33	32	31		29			26	25	24	23			21
						49						8	7					3		1
SALEABLE	NOT APPLICABLE	34576-7563	0	C	BLUE	48	47	46	45	44			41	40	39	38	37	36		
						34	33	32		30						24	23		21	
						49						18	17	16	15	14	13	12		
SALEABLE	NOT APPLICABLE	34576-7573	0	G	BLUE					52	51	50					45	43		
												35	34	33	32					
						28	27	26								18			15	
SALEABLE	NOT APPLICABLE	34576-7583	0	G	BLUE	14	13	12					7	6			3	1		
										52	51	50					45	43		
																32			15	
SALEABLE	NOT APPLICABLE	34576-7593	0	G	BLUE	28	27	26					7	6			3	1		
						14	13	12								18		15		
										52	51	50					45	43		
SALEABLE	NOT APPLICABLE	34576-7603	0	G	BLUE					52	51	50					45	44	43	
						42	41				37	36	35	34	33	32			30	
						28	27	26		24		22		20	19				16	15
SALEABLE	NOT APPLICABLE	34576-7613	9	C	BLUE	14	13	12		10		8	7	6				1		
						48	47		45	44			41	40	39	38	37	36		
						34	33	32		30						24	23		21	
SALEABLE	NOT APPLICABLE	34576-7623	9	A	BLACK	49						18	17	16	15	14	13	12		
						48		46		44	43	42		40	39	38			35	
						34	33	32	31		29	28		26	25	24	23		21	
SALEABLE	NOT APPLICABLE	34576-7633	0	A	BLACK	49						8	7				3		1	
						48	47	46	45	44			41	40	39	38	37	36		
						34	33	32		30						24	23		21	
						10	9	8	7	6	5		3	2	1					



MX123 18/28/42/49/56-WAY RECEPTACLE ASSY SEALED PIN OUT SHEET

STATUS	GM PART #	HRNS CONN ASSY			TPA GROMMET CAP																	
		MATERIAL/PART	WIRE DRESS OPTION	KEY OPTION ▽ Fp	COLOR OPTION ▽ Fp	NUMBERS INDICATE CAVITIES OPEN FOR CIRCUITS ▽ Fp																
		NUMBER																				
SALEABLE	NOT APPLICABLE	34576-7643	0	G	BLUE	42	41												30	29		
						28		26			23			20				17				15
						14					9											
SALEABLE	NOT APPLICABLE	34576-7653	0	C	BLUE	48	47	46	45						40			38	37	36		
						34		32	31			29				25	24	23	22			
						49				20	19	18	17	16					12			
SALEABLE	NOT APPLICABLE	34576-7663	9	A	BLACK	48	47	46	45						40			38	37	36		
						34		32	31			29				25	24	23	22			
						49				20	19	18	17	16					12			
SALEABLE	NOT APPLICABLE	34576-7673	0	C	BLUE	48	47	46	45	44				41	40	39	38	37	36			
						34	33	32		30			28	27			24	23			21	
						49						18	17			15	14	13	12			
SALEABLE	NOT APPLICABLE	34576-7683	0	A	BLACK	48		46		44	43	42			39	38			35			
						34		32	31			29	28			25	24	23			21	
						49				20	19						14				11	
SALEABLE	NOT APPLICABLE	34576-7693	0	G	BLUE					52	51	50					46	45	43			
																32						
						28	27	26								18						15
SALEABLE	NOT APPLICABLE	34576-7703	0	G	BLUE	14	13	12					7	6				3	1			
										52	51	50				46	45			43		
														35	34	33	32					
SALEABLE	NOT APPLICABLE	34576-7713	0	G	BLUE	28	27	26								18			15			
						14	13	12					7	6			3	1				
										52	51	50				46	45			43		
SALEABLE	NOT APPLICABLE	34576-7723	9	C	BLUE									35	34	33	32					
						28	27	26							18				15			
						14	13	12					7	6		4	3		1			
SALEABLE	NOT APPLICABLE	34576-7723	9	C	BLUE	48	47	46	45	44				41	40	39	38	37	36			
						34	33	32		30						24	23			21		
						49						18	17	16	15	14	13	12				
						10	9	8	7	6	5	3	2	1								



MX123 18/28/42/49/56-WAY RECEPTACLE ASSY SEALED PIN OUT SHEET

STATUS	GM PART #	HRNS CONN ASSY			TPA GROMMET CAP																	
		MATERIAL/PART	WIRE DRESS OPTION	KEY OPTION ▽ Fp	COLOR OPTION ▽ Fp	NUMBERS INDICATE CAVITIES OPEN FOR CIRCUITS ▽ Fp																
		NUMBER																				
SALEABLE	NOT APPLICABLE	34576-7733	0	A	BLACK					44	43	42	41		39					35		
							33			30		28	27	26		15	14	13				21
						49						18				8	7	6		4	3	
SALEABLE	NOT APPLICABLE	34576-7743	0	C	BLUE						43											
									31		29			26	25						22	
						49				20	19											
SALEABLE	NOT APPLICABLE	34576-7753	0	G	BLUE					52	51	50					4		2			
																	33					
						28	27							21				18	17			
SALEABLE	NOT APPLICABLE	34576-7763	9	A	BLACK																	
										44	43	42	41		39							35
							33			30		28	27	26								
SALEABLE	NOT APPLICABLE	34576-7773	9	A	BLACK																	
SALEABLE	NOT APPLICABLE	34576-7773	9	A	BLACK	48	47	46	45	44	43			40		38	37	36				
						34		32	31		29	28	27		25	24	23	22				
						49				20	19			16	15							12
SALEABLE	NOT APPLICABLE	34851-0031	9	H	ST. GRAY																	
SALEABLE	NOT APPLICABLE	34576-7783	9	C	BLUE																	
SALEABLE	NOT APPLICABLE	34576-7793	9	A	BLACK	48	47	46	45													
						34		32	31													
						49				20	19	18	17	16	15							
SALEABLE	NOT APPLICABLE	34576-7803	0	G	BLUE			54	53					49	48	47			44	43		
								40	39	38	37	36	35	34		32	31	30	29			
								26	25	24	23	22		20	19							
		12	11	10	9	8	7	6	5	4							2	1				



MX123 18/28/42/49/56-WAY RECEPTACLE ASSY SEALED PIN OUT SHEET

STATUS	GM PART #	HRNS CONN ASSY			TPA GROMMET CAP														
		MATERIAL/PART	WIRE DRESS OPTION	KEY OPTION Fp	COLOR OPTION Fp	NUMBERS INDICATE CAVITIES OPEN FOR CIRCUITS Fp													
		NUMBER																	
SALEABLE	NOT APPLICABLE	34576-7813	9	C	BLUE	48	47	46	45	44			41	40	39	38	37	36	
						34	33	32		30			27			24	23		21
						49						18	17		15	14	13	12	
SALEABLE	NOT APPLICABLE	34576-7823	0	A	BLACK	48	47	46	45					40		38	37	36	
						34		32	31		29				25	24	23	22	
						49				20	19		17	16				12	
SALEABLE	NOT APPLICABLE	34576-7833	0	C	BLUE	48	47		45	44			41	40	39	38	37	36	35
						34		32		30		28				24		21	
						49						18	17		15	14	13	12	11
SALEABLE	NOT APPLICABLE	34576-7843	9	A	BLACK	48	47	46	45	44	43			40		38	37	36	
						34		32	31			28	27		25	24	23	22	
						49				20	19	18	17	16	15			12	
SALEABLE	NOT APPLICABLE	34576-7853	0	C	BLUE	48	47	46	45	44		42	41	40	39	38	37	36	35
						34	33	32		30	29	28	27			24	23		21
						49				20		18	17	16	15	14	13	12	
SALEABLE	NOT APPLICABLE	34576-7863	9	A	BLACK	48		46			43				39	38		36	35
						34	33		31		29		27		25	24	23		21
						49				20	19								11
SALEABLE	NOT APPLICABLE	34576-7873	9	C	BLUE	48	47	46	45	44	43		41	40	39	38	37	36	
						34	33	32		30			27			24	23		21
						49						18	17		15	14	13	12	
SALEABLE	NOT APPLICABLE	34576-7883	9	A	BLACK	48	47	46	45	44	43			40			37	36	
						34		32	31		29		27		25	24	23	22	
						49				20	19	18		16				12	
SALEABLE	NOT APPLICABLE	34576-7893	9	A	BLACK	48	47	46	45					40		38	37	36	
						34		32	31		29				25	24	23	22	
						49				20	19		17	16					2



MX123 18/28/42/49/56-WAY RECEPTACLE ASSY SEALED PIN OUT SHEET

STATUS	GM PART #	HRNS CONN ASSY			TPA GROMMET CAP														
		MATERIAL/PART	WIRE DRESS OPTION	KEY OPTION Fp	COLOR OPTION Fp	NUMBERS INDICATE CAVITIES OPEN FOR CIRCUITS Fp													
		NUMBER																	
SALEABLE	NOT APPLICABLE	34576-7903	0	A	BLACK	48	47	46	45					40		38	37	36	
						34		32	31		29			25	24	23	22		
						49				20	19		17	16				12	
SALEABLE	NOT APPLICABLE	34576-7913	9	A	BLACK	48		46			43				39	38		36	35
						34	33	32	31		29		27		25	24	23	22	21
						49				20	19								11
SALEABLE	NOT APPLICABLE	34576-7923	0	A	BLACK	48	47	46	45	44	43			40		38	37	36	
						34		32	31		29	28	27		25	24	23	22	
						49				20	19	18	17	16	15			12	
SALEABLE	NOT APPLICABLE	34576-7933	0	C	BLUE														
						49				20		18	17	16		14	13	12	
											9	8	7	6			3		1
SALEABLE	NOT APPLICABLE	34576-7943	0	A	BLACK	48	47	46	45							38	37	36	
						34		32	31		29				25	24	23	22	
						49				20	19			16	15			12	
SALEABLE	NOT APPLICABLE	34576-7953	0	G	BLUE					52	51	50				46	45		
															33				
						28	27	26					21			18	17		
SALEABLE	NOT APPLICABLE	34576-7963	9	A	BLACK	48		46			43				39	38		36	35
						34	33	32	31		29		27		25	24	23		21
						49				20	19							11	
SALEABLE	NOT APPLICABLE	34576-7973	0	A	BLACK	48	47	46	45	44	43			40		38	37	36	
						34		32	31		29		27		25	24	23	22	
						49				20	19			16	15			12	
SALEABLE	NOT APPLICABLE	34576-7983	9	A	BLACK											38			
							33	32			29	28		26	25		23		
						49				20		18		16	15				
					10		8	7	6	5									



MX123 18/28/42/49/56-WAY RECEPTACLE ASSY SEALED PIN OUT SHEET

STATUS	GM PART #	HRNS CONN ASSY			TPA GROMMET CAP														
		MATERIAL/PART	WIRE DRESS OPTION	KEY OPTION ▽ Fp	COLOR OPTION ▽ Fp	NUMBERS INDICATE CAVITIES OPEN FOR CIRCUITS ▽ Fp													
		NUMBER																	
SALEABLE	NOT APPLICABLE	34576-7993	9	C	BLUE		47		45	44		42		40	39	38	37	36	
						34		32		30		28			24	23		21	
						49					9	18	17	7	15	14	13	12	11
SALEABLE	NOT APPLICABLE	34576-8003	0	A	BLACK	48	47	46	45	44	43			40		38	37	36	
						34		32	31		29	28	27		25	24	23	22	
						49				20	19			16				12	
SALEABLE	NOT APPLICABLE	34576-8013	0	H	ST GRY			54	53	52	51					46	45	44	43
								40	39	38	37	36	35	34	33				
								26	25										
SALEABLE	NOT APPLICABLE	34576-8023	9	A	BLACK	14	13	12	11			8	7	6	5			2	1
						48	47	46	45					40			37	36	
						34		32	31		29				25	24	23	22	
SALEABLE	NOT APPLICABLE	34576-8033	9	A	BLACK	49				20	19	18		16				12	
										10	9			5			2	1	
							33	32			29	28		26	25		38		23
SALEABLE	NOT APPLICABLE	34576-8043	9	C	BLUE	49				20		18	17	16	15				
										10		8	7	6	5	4		2	
							47		45	44				40	39	38	37	36	
SALEABLE	NOT APPLICABLE	34576-8053	0	A	BLACK	34		32		30		28				24	23		21
						49					9	18	17	7	15	14	13	12	11
						48	47	46	45	44	43			40		38	37	36	
SALEABLE	NOT APPLICABLE	34576-8063	9	A	BLACK	34		32	31		29	28	27		25	24	23	22	
						49				20	19	18		16	15			12	
										10	9				5		3	2	1
SALEABLE	NOT APPLICABLE	34576-8073	0	C	BLUE	48	47	46	45	44			41	40	39	38	37	36	
						34	33	32		30		28				24	23	22	21
						49				20		18	17	16		14	13	12	
					9	8	7	6			3			1					



MX123 18/28/42/49/56-WAY RECEPTACLE ASSY SEALED PIN OUT SHEET

STATUS	GM PART #	HRNS CONN ASSY			TPA GROMMET CAP																
		MATERIAL/PART	WIRE DRESS OPTION	KEY OPTION Fp	COLOR OPTION Fp	NUMBERS INDICATE CAVITIES OPEN FOR CIRCUITS Fp															
		NUMBER																			
SALEABLE	NOT APPLICABLE	34576-8083	0	H	ST GRV	56	55	54	53	52	51					46	45	44	43		
						42	41	40	39	38	37	36	35	34	33						
						28	27	26	25	24	23	22	21	20	19						
						14	13	12	11			8	7	6	5					2	1
SALEABLE	NOT APPLICABLE	34576-8093	0	H	ST GRV			54	53	52	51					46	45	44	43		
								40	39	38	37	36	35	34	33						
						28	27	26	25	24	23										
						14	13	12	11			8	7	6	5					2	1
SALEABLE	NOT APPLICABLE	34576-8103	0	H	ST GRV			54	53	52	51										
								40	39	38	37	36	35	34	33						
						28	27	26	25	24	23										
						14	13	12	11			8	7	6	5					2	1
SALEABLE	NOT APPLICABLE	34576-8113	0	A	BLACK	48	47	46	45	44	43			40		38	37	36			
						34		32	31		29	28	27		25	24	23	22			
						49				20	19	18	17	16	15			12			
										10	9				5			2	1		
SALEABLE	NOT APPLICABLE	34576-8123	0	A	BLACK	48	47	46	45	44	43			40		38	37	36			
						34		32	31			28	27		25	24	23	22			
						49				20	19		17	16	15			12			
										10	9				5			2	1		
SALEABLE	NOT APPLICABLE	34576-8133	0	A	BLACK	48		46		44	43	42		40	39	38		35			
						34	33	32	31		29	28		26	25	24	23		21		
						49									14				11		
												8	7					3		1	
SALEABLE	NOT APPLICABLE	34576-8143	0	G	BLUE	56	55	54	53	52	51	50	49	48	47	46	45	44	43		
								40				36	35				31				
							27		25	24		22	21		19	18					
							13	12		10	9	8	7	6				3			
SALEABLE	NOT APPLICABLE	34576-9133	9	A	BLACK	48	47	46	45	44	43			40		38	37	36			
						34		32	31		29	28	27		25	24	23	22			
						49				20	19	18	17	16				12			
										10	9				5			2	1		
SALEABLE	NOT APPLICABLE	34576-9143	9	C	BLUE		47		45	44				40	39	38	37	36			
						34		32		30				26	25	24	23		21		
						49						18	17		15	14	13	12			
										10	9		7	6	5		3		1		

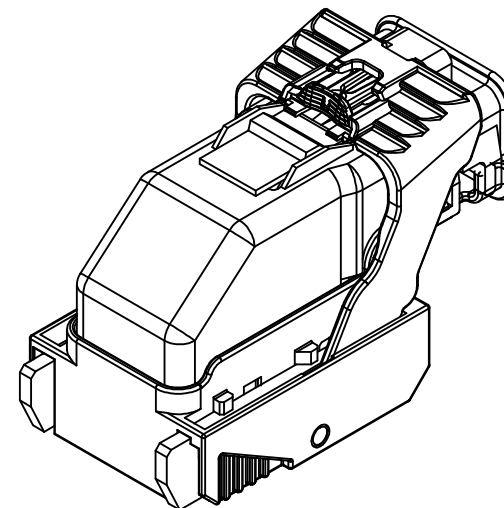


MX123 18/28/42/49/56-WAY RECEPTACLE ASSY SEALED PIN OUT SHEET

STATUS	GM PART #	HRNS CONN ASSY			TPA GROMMET CAP																		
		MATERIAL/PART	WIRE DRESS OPTION	KEY OPTION ▽ Fp	COLOR OPTION ▽ Fp	NUMBERS INDICATE CAVITIES OPEN FOR CIRCUITS ▽ Fp																	
		NUMBER																					
SALEABLE	NOT APPLICABLE	34576-9153	9	A	BLACK					44	43		41					37	36				
						34	33	32														22	
						49										18	17	16	15				
												8	7	6	5								

INDEX

	PAGE TITLE	PAGE
	TITLE BLOCK	1
L	PART BLOCK	2
	KPC BLOCK	3
	COMPONENT TABLE	4
K	NOTES	5
	NOTES	6
	WIRE DRESS PACKAGING DIMENSIONS	7
J	LOCATION AND PACKAGING DIMENSIONS REFERENCING INTERFACE DATUMS B & C	8
	LOCATION AND PACKAGING DIMENSIONS REFERENCING INTERFACE DATUM A	9
I	KEY ID REF - WIRE DRESS OPTION 0	10
	KEY ID REF - WIRE DRESS OPTION 9	11
	CIRCUIT CONFIGURATIONS	12
H	CIRCUIT CONFIGURATIONS	13
	COMPONENT CONNECTOR INTERFACE	14
	COMPONENT CONNECTOR INTERFACE	15
	COMPONENT CONNECTOR INTERFACE	16
G	COMPONENT CONNECTOR INTERFACE	17
	COMPONENT CONNECTOR INTERFACE	18
	COMPONENT CONNECTOR INTERFACE	19
F	COMPONENT CONNECTOR INTERFACE	20
	COMPONENT CONNECTOR INTERFACE	21
	ADDITIONAL COMPONENTS REQUIRED	22



MX123 HARNESS CONN - SEALED
18/49/56 CKTS

ENTER DESCRIPTION IEC NO: UAU2017-0870 DRAWN IN ITALIA 2017/03/27 CHKD: APPR:VKOSHY 2017/03/29 REV:	QUALITY SYMBOLS	GENERAL TOLERANCES (UNLESS SPECIFIED)	DIMENSION STYLE	SCALE	DESIGN UNITS	THIRD ANGLE PROJECTION
	▽=0	4 PLACES ±--- ±---	MM ONLY	1:1	METRIC	
	▽=0	3 PLACES ±--- ±---				
	▽=0	2 PLACES ±0.13 ±---				
		1 PLACE ±0.25 ±---				
		0 PLACE ±--- ±---				
		ANGULAR ± 1 °				
		DRAFT WHERE APPLICABLE MUST REMAIN WITHIN DIMENSIONS	SEE BOM TABLE			
			MATERIAL NO.	DOCUMENT NO.		SHEET NO.
				SD-34576-0001		1 OF 22
			THIS DRAWING CONTAINS INFORMATION THAT IS PROPRIETARY TO MOLEX INCORPORATED AND SHOULD NOT BE USED WITHOUT WRITTEN PERMISSION			

22	RD	A	C	001		0.000	YAZAKI: 7158-3114-90	2.8MM CAVITY PLUG
21	RD	A		001		0.000	PLUG-WRG HARN CONN MX0.64	
20	RD	A		001		0.000	TERM-AG 0.5MM/0.75MM ISO,MX64	
19	RD	A		001		0.000	TERM-AG 0.35MM ISO,MX64	
18	RD	A	C	006		0.009	WIRE HARNESS COVER	18/49/56 WAY
17	RD	A	2	001		0.041	HARN CONN ASM 56 CKT	KEY J OPTION 9
16	RD	A	2	001		0.041	HARN CONN ASM 56 CKT	KEY H OPTION 9
15	RD	A	2	001		0.041	HARN CONN ASM 56 CKT	KEY G OPTION 9
14	RD	A	2	001		0.041	HARN CONN ASM 56 CKT	KEY J OPTION 0
13	RD	A	2	001		0.041	HARN CONN ASM 56 CKT	KEY H OPTION 0
12	RD	A	2	001		0.041	HARN CONN ASM 56 CKT	KEY G OPTION 0
11	RD	A	2	001		0.040	HARN CONN ASM 49 CKT	KEY C OPTION 9
10	RD	A	2	001		0.040	HARN CONN ASM 49 CKT	KEY B OPTION 9
09	RD	A	2	001		0.040	HARN CONN ASM 49 CKT	KEY A OPTION 9
08	RD	A	2	001		0.040	HARN CONN ASM 49 CKT	KEY C OPTION 0
07	RD	A	2	001		0.040	HARN CONN ASM 49 CKT	KEY B OPTION 0
06	RD	A	2	001		0.040	HARN CONN ASM 49 CKT	KEY A OPTION 0
05	RD	A	2	001		0.044	HARN CONN ASM 18 CKT	KEY H OPTION 9
04	RD	A	2	001		0.044	HARN CONN ASM 18 CKT	KEY G OPTION 9
03	RD	A	2	001		0.044	HARN CONN ASM 18 CKT	KEY H OPTION 0
02	RD	A	2	001		0.044	HARN CONN ASM 18 CKT	KEY G OPTION 0
01	RD	A		001		1.285	HARNNESS CONN ASM-SEALED 18/49/56CKTS,MX123	

							DRAWING	
DWG ITM	DWG RLTN SHIP	D L S	ST	REV	P D I	MASS (KG)	PART NAME	NOTES

PARTS SHOWN ON DRAWING

ENTER DESCRIPTION IEC NO: UAU2017-0870 DRAWN: ITALIA 2017/03/27 CHKD: APPR: VKOSHY 2017/03/29 REV:	QUALITY SYMBOLS	GENERAL TOLERANCES (UNLESS SPECIFIED)	DIMENSION STYLE	SCALE	DESIGN UNITS	THIRD ANGLE PROJECTION
	▽=0	mm INCH	MM ONLY	1:1	METRIC	
	▽=0	4 PLACES # --- # ---	DRAWN BY SKRA JENDRANA 2016/12/15	DATE	TITLE	
	▽=0	3 PLACES # --- # ---	CHECKED BY VKOSHY 2016/12/15	DATE	ICD - MX123 18/49/56CKT INTERFACE CONNECTION DRW MOLEX	
	ANGULAR ± 1 °	DRAFT WHERE APPLICABLE MUST REMAIN WITHIN DIMENSIONS	APPROVED BY VKOSHY 2017/03/03	DATE	MATERIAL NO. SEE BOM TABLE	
					DOCUMENT NO. SD-34576-0001	SHEET NO. 2 OF 22
					THIS DRAWING CONTAINS INFORMATION THAT IS PROPRIETARY TO MOLEX INCORPORATED AND SHOULD NOT BE USED WITHOUT WRITTEN PERMISSION	

KEY PRODUCT CHARACTERISTICS
(IN ACCORDANCE WITH QN 1805 OR ON 1050)



SAFETY/COMPLIANCE

TOTAL ON DRAWING

4



FIT/FUNCTION

LAST NO. USED

4

NO	TYPE	DESCRIPTION	RATIONALE	PAGE/ZONE
1	F/F	32.68	IMPROVE CONNECTOR SYSTEM MATING	15
2	F/F	29.00	INSURE PROPER RELEASE OF LEVER	15
3	F/F	15.25	INSURE FINAL MATE POSITION	16
4	F/F	POSITIONAL TOLERANCE (2 PLACES)	INSURE CONNECTOR SYSTEM MATIBILITY	19

ENTER DESCRIPTION IEC NO: UAU2017-0870 DRAWN: CHITRALIA 2017/03/27 CHKD: APPR: VKOSHY 2017/03/29 REV:	QUALITY SYMBOLS	GENERAL TOLERANCES (UNLESS SPECIFIED)	DIMENSION STYLE	SCALE	DESIGN UNITS	THIRD ANGLE PROJECTION	
	▽=0	4 PLACES ± 0.13	MM ONLY	1:1	METRIC	☉	
	▽=0	3 PLACES ± 0.25	mm				
	▽=0	2 PLACES ± 0.25	INCH				
		ANGULAR ± 1°	DRAWN BY	DATE	TITLE		
		DRAFT WHERE APPLICABLE MUST REMAIN WITHIN DIMENSIONS	SKRAJENDRANA	2016/12/15	ICD - MX123 18/49/56CKT INTERFACE CONNECTION DRW		
			CHECKED BY	DATE			
			VKOSHY	2016/12/15			
			APPROVED BY	DATE			
			VKOSHY	2017/03/03			
			MATERIAL NO.	DOCUMENT NO.			
			SEE BOM TABLE	SD-34576-0001			
			SIZE				
			D				
			THIS DRAWING CONTAINS INFORMATION THAT IS PROPRIETARY TO MOLEX INCORPORATED AND SHOULD NOT BE USED WITHOUT WRITTEN PERMISSION				
						SHEET NO. 3 OF 22	

NOTES: UNLESS OTHERWISE SPECIFIED

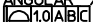
1. MATERIAL FOR INTERFACE:

- A. RESIN:**
 1. 30% G.F. PBT, 20% MAX. (BY WEIGHT) REGRIND.
 2. MATING CONNECTOR INTERFACE PART COLOR MUST BE SAME AS MATCHING KEYED HARNESS CONNECTOR ASSEMBLY.
 3. MUST BE VALIDATED FOR INDIVIDUAL DEVICE APPLICATION REQUIREMENTS.
- B. 0.64MM PINS:**
 1. BASE MATERIAL: COPPER ALLOY, CONDUCTIVITY >= 28% IACS AT 20°C, TENSILE STRENGTH >= 635 N/mm², SURFACE ROUGHNESS R_a6 MAX.
 2. PLATING FINISH: SILVER (Ag) PLATING TO BE 1.9-3.3 µm ELECTRODEPOSITED SEMI-BRIGHT SILVER OVER 1.25-2.25 µm DUCTILE SULPHAMATE NICKEL PER NOTE 1(D).
 3. ANTI-TARNISH: SYNTHETIC HYDROCARBON CONTACT SURFACE FINISH OR EQUIVALENT APPLIED WITHOUT VOID TO CONTACT AREA (MIN 3.7mm FROM PIN TIP).
- C. 2.8MM BLADE:**
 1. BASE MATERIAL: COPPER ALLOY, CONDUCTIVITY >= 28% IACS AT 20°C, TENSILE STRENGTH >= 350 N/mm², SURFACE ROUGHNESS R_a6 MAX.
 2. PLATING FINISH: TIN PLATING TO BE 2.5-5.0 µm ELECTRODEPOSITED TIN, MATTE FINISH OVER 1.25-2.5µm DUCTILE SULPHAMATE NICKEL PER NOTE 1(D).
- D. 6.3MM BLADE:**
 1. BASE MATERIAL: COPPER ALLOY, CONDUCTIVITY >= 50% IACS AT 20°C,
 2. PLATING FINISH: SILVER (Ag) PLATING TO BE 1.9-3.3 µm ELECTRODEPOSITED SEMI-BRIGHT SILVER, OVER 1.25-2.5µm DUCTILE SULPHAMATE NICKEL PER NOTE 1(D) WITH ENVIRONMENTAL BARRIER OR
 TIN/SILVER (ELECTRO-DEPOSITED), UNDERPLATE 0.5-2.0 µm NICKEL OR COPPER, TOP PLATING: 1.0-3.0 µm (SILVER RANGE 3.75-X.XX NO ANTI-TARNISH COATING REQUIRED).

E. PLATING REQUIREMENTS:

- 1. SILVER PLATING**
 a. 99.5% PURE SEMI-BRIGHT WITH NO ORGANIC BRIGHTNERS OR CHROMATES.
2. NICKEL PLATING
 a. ELECTRODEPOSITED DUCTILE SULFAMATE NICKEL WITH A NON-BRIGHTENED FINISH. NO ORGANIC OR BRIGHTENING AGENTS SHALL BE ALLOWED.
 b. SHALL ONLY BE USED AS AN UNDERLYING PLATING AND MAY NOT BE USED AS AN ELECTRICAL CONTACT SURFACE PLATING.
 c. SHALL BE NODULE FREE WHEN VIEWED AT 10X MAGNIFICATION IN MEASURED IN CONTACT SURFACE AREA PLUS 0.5MM PERIMETER AROUND THE CONTACT SURFACE AREA.
 d. ALL PLATINGS SHALL HAVE A 1.0% MAXIMUM BY WEIGHT IMPURITIES. IMPURITIES ARE DEFINED AS ALL ELEMENTS NOT THE PRIMARY PLATING OR HARDENING AGENT IF APPLICABLE, AS DETERMINED BY WET CHEMICAL ANALYSIS OR AUGER METHOD. NO SINGLE IMPURITY SHALL EXCEED 0.1% MAXIMUM BY WEIGHT.
3. TESTING
 a. THICKNESS TO BE MEASURED IN CONTACT SURFACE AREA PLUS 0.5MM PERIMETER AROUND THE CONTACT SURFACE AREA AS DESIGNATED IN THE DRAWING. THICKNESS SHALL BE DETERMINED BY METHOD OF X-RAY (XRF).
 b. PLATING ADHESION SHALL BE TESTED BY A BEND TEST FOR ALL METALS. THE TEST SAMPLE SHALL BE BENT 90 DEGREES TO DETERMINE DEPOSIT ADHESION. TESTING SHALL BE COMPLETED IN ACCORDANCE WITH ASTM SPEC B571.

2. DESIGN - GENERAL:

- A. THIS IS A 100% CAD GENERATED PART. THE CAD MATHEMATICAL DATA IS THE MASTER FOR THIS PART. WHERE DIMENSIONS ARE SPECIFIED ON THE DRAWING, THE DRAWING IS THE AUTHORITY FOR DIMENSIONAL VALUES. FOR DIMENSIONAL OR ANY INFORMATION NOT SHOWN ON THIS DRAWING, ANALYZE THE CAD MODEL.**
B. DIMENSIONS OBTAINED FROM THE DIGITAL MODEL ARE BASIC:
 1. FOR RELATIONSHIPS BETWEEN FEATURES WHEN ESTABLISHED BY GEOMETRIC TOLERANCES.
 2. FOR THE FORM OF A FEATURE WHEN CONTROLLED BY A PROFILE TOLERANCE.
 3. FOR THE SIZE, FORM AND/OR RELATIONSHIP BETWEEN FIXED DATUM TARGETS.
C. DIMENSIONS OBTAINED FROM THE DIGITAL MODEL ARE ROUNDED TO TWO DECIMAL PLACES (PER IEEE/ASTM SI 10-2002)
D. VIEWS AND SECTIONS ON THIS DRAWING ARE IN ACCORDANCE WITH GM DCS SECTION C3. E. THE DIGITAL MODEL MUST CORRESPOND TO THE RELEASE LEVEL SHOWN IN THE PART BLOCK ON THIS DOCUMENT.
F. TOLERANCES:
 1. LINEAR 0.X ± 0.30
 0.XX ± 0.10
 0.XXX ± 0.10
 2. ANGULAR X° ± 3°
 3. 
G. MINIMUM WALL THICKNESS REQUIRED: 1.3mm.
H. CORNERS SHOWN AS SHARP TO BE R 0.2 MAX.
J. LETTERING SHALL BE 0.15 MAX RAISED IN 0.20 MAX RECESS PAD. THIS INCLUDES MATERIAL CODE, RECYCLING CODE, CAVITY ID AND DATE CODE.
K-1. PARTS MUST BE FREE OF DISCOLORATION, SALT RESIDUE AND OTHER IMPERFECTIONS THAT AFFECT FIT OR FUNCTION.
K-2. SCRATCHES OR DENTS NOT TO EXCEED 0.013mm IN DEPTH.
L. FOLLOWING PRODUCTION CODES TO BE PERMANENTLY MARKED & HUMAN READABLE TO A LETTER HEIGHT OF 1.5 ± 0.5MM X 0.3 MAX DEEP
 1. MATERIAL #: XXXXX-XXXX
 2. DATE CODE: JULY (JULIAN DAY, LAST DIGIT OF YEAR)
 3. INSPECTION MACHINE CODE + SERIAL #: X_XXXXX

3. DESIGN - MANUFACTURING:

- A. DRAFT TO BE WITHIN TOLERANCE.**
B. ALLOWABLE FLASH MAX 0.2 HIGH X MAX 0.13 THICK.
C. ALLOWABLE PARTING LINE MISMATCH 0.2 MAX.
D. EJECTOR PINS MARK TO BE FLUSH TO 0.25 MAX DEPRESSED.
E. ALLOWABLE GATE VESTIGE FLUSH TO 0.25 MAX PROTRUSION.
F. NO EXTERNAL MOLD RELEASE AGENT ALLOWED DURING MANUFACTURING.
G. STEEL THAT FORMS THE INDICATED SURFACE MUST BE POLISHED WITH A DIAMOND FINISH (SPI A-2) OVER THE FULL PERIPHERY OF THE TOOL. SURFACE MUST HAVE NO MISMATCH.
H. ANY PROCESS LUBRICANT REMAINING ON THE TERMINAL MUST NOT VARNISH OR DEGRADE IT'S ELECTRICAL PERFORMANCE UP TO A MAXIMUM CLASS AMBIENT TEMPERATURE PER SAE USCAR-2 FOR 1008 HOURS. PROCESS LUBRICANTS SHOULD BE APPROVED BY THE RESPONSIBLE ENGINEER.
J. OPTIONAL FEATURES PROVIDED FOR AUTOMATION.
K. PART MUST BE FREE FROM BURRS AND SHARP EDGES, WHICH WILL BE DETRIMENTAL TO SATISFACTORY ASSEMBLY, SAFE HANDLING OR FUNCTION OF PART.
L. PARTS AS DELIVERED TO ASSEMBLY SHALL BE CLEAN AND FREE OF DEBRIS, RESIDUAL ABRASIVE MATERIAL AND CORROSION PRODUCTS ADVERESLY AFFECTING FUNCTION OR APPEARANCE.
M. RESTRICTED AND REPORTABLE SUBSTANCES FOR PARTS PER GMW3059.

ENTER DESCRIPTION IEC NO: UAU2017-0870 DRAWN BY: ITALIA CHKD: CHKO APPR: VKOSHY 2017/03/27 2017/03/29 2017/03/29 REVISION A4	QUALITY SYMBOLS	GENERAL TOLERANCES (UNLESS SPECIFIED)	DIMENSION STYLE	SCALE	DESIGN UNITS	THIRD ANGLE PROJECTION
	∇=0 ∇=0 ∇=0	mm INCH 4 PLACES ± --- ± --- 3 PLACES ± --- ± --- 2 PLACES ± 0.13 ± --- 1 PLACE ± 0.25 ± --- 0 PLACE ± --- ± ---	MM ONLY	1:1	METRIC	SKRA JENDRANA 2016/12/15 VKOSHY 2016/12/15 VKOSHY 2017/03/03
	ANGULAR ± 1 °	DRAFT WHERE APPLICABLE MUST REMAIN WITHIN DIMENSIONS	SEE BOM TABLE	MATERIAL NO.	DOCUMENT NO.	SHEET NO.
			SIZE		SD-34576-0001	5 OF 22
			THIS DRAWING CONTAINS INFORMATION THAT IS PROPRIETARY TO MOLEX INCORPORATED AND SHOULD NOT BE USED WITHOUT WRITTEN PERMISSION			

NOTES: UNLESS OTHERWISE SPECIFIED

4. SYSTEM REQUIREMENTS:

A. HARNESS CONNECTOR IS COMPATIBLE WITH THE FOLLOWING WIRE SIZE NO'S:
 0.35mm², MEETING GMW15626 - MIN OD OF 1.20MM
 0.50mm², MEETING GMW15626
 0.75mm², MEETING GMW15626 - MAX OD OF 2.06MM

B. CABLE TIE SPECIFICATIONS:

1. CABLE TIE:
 - TENSILE RATING: 220N / (50lbs) MIN
 - TIE LENGTH: 186mm MIN
 - TIE WIDTH: 4.75mm MAX
 - MATERIAL: NYLON
2. INSTALLATION:
 - CABLE TIE TENSION: 190N MIN
3. DRESSED WIRE BUNDLE PACKAGING: SEE FIG. 1

C. WHEN MATED WITH COMPONENT CONNECTOR INTERFACE AND/OR DRESS COVER, HARNESS CONNECTOR SYSTEM CONFORMS TO THE FOLLOWING:

1. SAE/USCAR-2, REV: 3 APRIL, 2001, CLASS 3
2. FIELD CORRELATED LIFE TEST, SAE/USCAR-20, NOV, 2001
3. GMW #3191 AUGUST 22, 2000 (DRAFT); TEMPERATURE CLASS 3 (145°C), SEALING CLASS 1 (HIGH PRESSURE SPRAY), VIBRATION CLASS 2 (ON BODY)
4. TPA USER FORCES (FULLY POPULATED WITH TERMINALS)
 - a. REMOVAL FROM LOCK TO PRE-SET: <=120N

D. WIRE SPECIFICATIONS:

1. WIRE SURFACE MUST BE FREE OF SCRATCHES, GROOVES OR DENTS WHERE FUNCTIONAL

5. TERMINAL CURRENT RATINGS:

A. MX64 RCPT TERM

ALL TESTING DONE IN ACCORDANCE WITH USCAR-2 REV5 SECTION 5.3

1. MX64 RCPT TERM Ag 0.50/0.75mm² CRIMPED TO 0.75mm² ISO WIRE AND MATED TO MX123 0.64MM PIN: SEE TABLE BELOW
2. MX64 RCPT TERM Ag 0.35mm² CRIMPED TO 0.35mm² ISO WIRE AND MATED TO MX123 0.64MM PIN: SEE TABLE BELOW

WIRE	CURRENT RATING			
	23 °C	85 °C	105 °C	125 °C
0.75mm ²	11.3A	11.3A	9.5A	6.6A
0.50mm ²	10.0A	10.0A	8.3A	5.7A
0.35mm ²	8.5A	8.5A	7.1A	5.0A

B. 2.8MM RCPT TERM

ALL TESTING DONE IN ACCORDANCE WITH MOLEX DVP&R 0279 (TR# 7125)

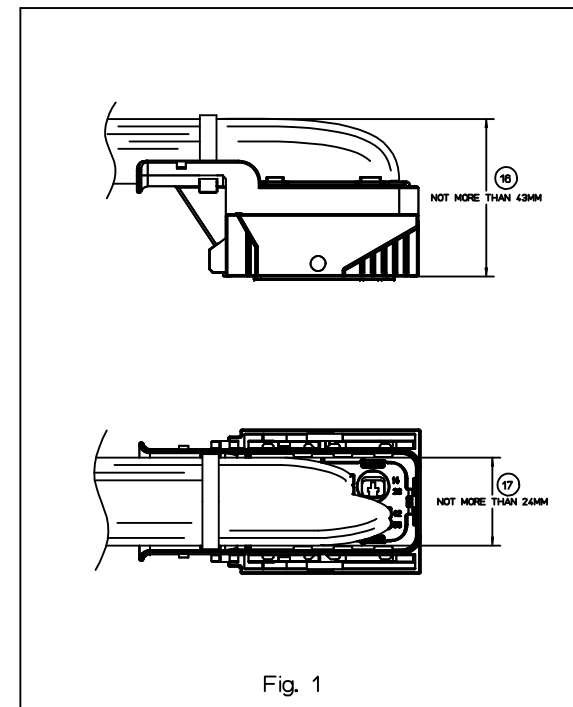
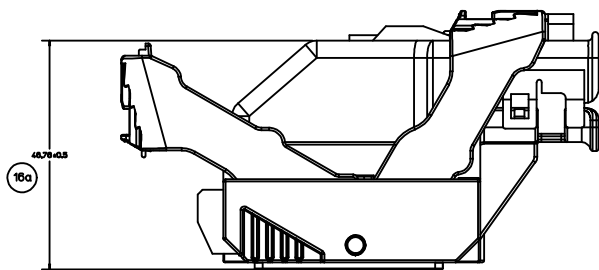
1. 2.8MM RCPT TERM TIN 2.0mm² CRIMPED TO 2.0mm² ISO WIRE AND MATED TO MX123 2.8MM BLADE: 25.6 AMPS AT 125°C

C. 6.3MM RCPT TERM - DELPHI APEX

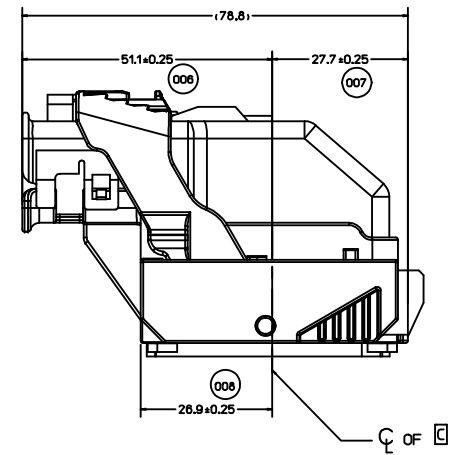
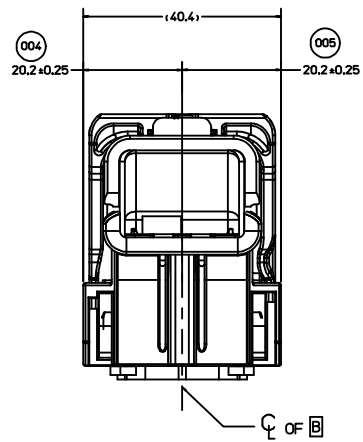
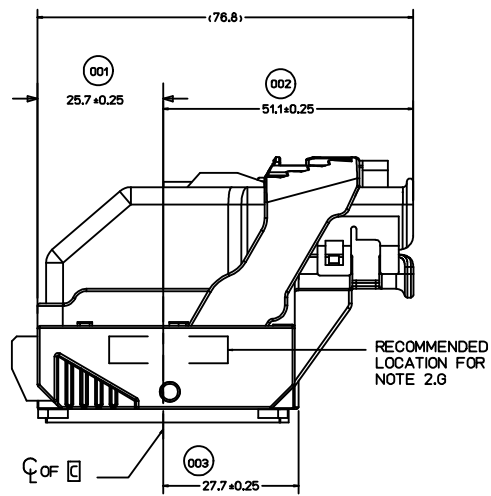
ALL TESTING DONE IN ACCORDANCE WITH USCAR-2 REV5 SECTION 5.3

1. 6.3MM RCPT TERM TIN/SILVER CRIMPED TO 6.0MM BLADE (Sn/Ag PLATED): 36A AT 125°C
6. CONTACT MOLEX AUTOMOTIVE FOR AVAILABLE CUSTOM PATTERNS OF CAVITIES OPEN FOR CIRCUITS - SEE GM DRAWING 13507495

ENTER DESCRIPTION IEC NO: UAU2017-0870 DRAWN: CHITALLA CHKD: APPR: VKOSHY 2017/03/29 REV:	QUALITY SYMBOLS	GENERAL TOLERANCES (UNLESS SPECIFIED)	DIMENSION STYLE	SCALE	DESIGN UNITS	THIRD ANGLE PROJECTION	
	▽=0	4 PLACES ±--- ±---	MM ONLY	1:1	METRIC	☉	
	▽=0	3 PLACES ±--- ±---	mm INCH	DRAWN BY	DATE	TITLE	
	▽=0	2 PLACES ±0.13 ±---	SKRAJENDRANA 2016/12/15	CHECKED BY	DATE	ICD - MX123 18/49/56CKT INTERFACE CONNECTION DRW MOLEX	
		1 PLACE ±0.25 ±---	APPROVED BY	DATE			
		0 PLACE ±--- ±---	VKOSHY 2017/03/03				
		ANGULAR ± 1 °	MATERIAL NO.	DOCUMENT NO.			
		DRAFT WHERE APPLICABLE MUST REMAIN WITHIN DIMENSIONS	SEE BOM TABLE	SD-34576-0001			
			SIZE D	THIS DRAWING CONTAINS INFORMATION THAT IS PROPRIETARY TO MOLEX INCORPORATED AND SHOULD NOT BE USED WITHOUT WRITTEN PERMISSION			
						SHEET NO. 6 OF 22	

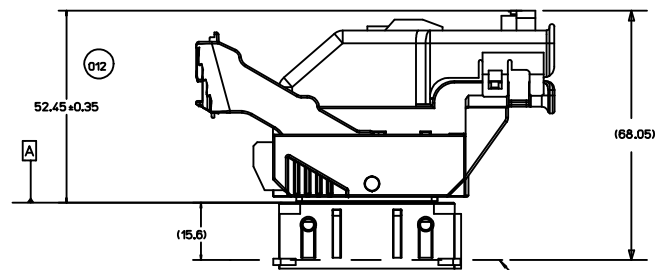


ENTER DESCRIPTION IEC NO: UAU2017-0870 DRAWN: CHITALIA 2017/03/27 CHKD: APPR: VKOSHY 2017/03/29	QUALITY SYMBOLS	GENERAL TOLERANCES (UNLESS SPECIFIED)	DIMENSION STYLE	SCALE	DESIGN UNITS	THIRD ANGLE PROJECTION
	∇=0 ∇=0 ∇=0	4 PLACES ± --- + --- 3 PLACES ± --- + --- 2 PLACES ± 0.13 + --- 1 PLACE ± 0.25 + --- 0 PLACE ± --- + ---	mm INCH ANGULAR ± 1 ° DRAFT WHERE APPLICABLE MUST REMAIN WITHIN DIMENSIONS	MM ONLY DRAWN BY SKRAJENDRANA 2016/12/15 CHECKED BY VKOSHY 2016/12/15 APPROVED BY VKOSHY 2017/03/03	1:1	METRIC
A4 SIZE D			SEE BOM TABLE			SHEET NO. 7 OF 22 THIS DRAWING CONTAINS INFORMATION THAT IS PROPRIETARY TO MOLEX INCORPORATED AND SHOULD NOT BE USED WITHOUT WRITTEN PERMISSION

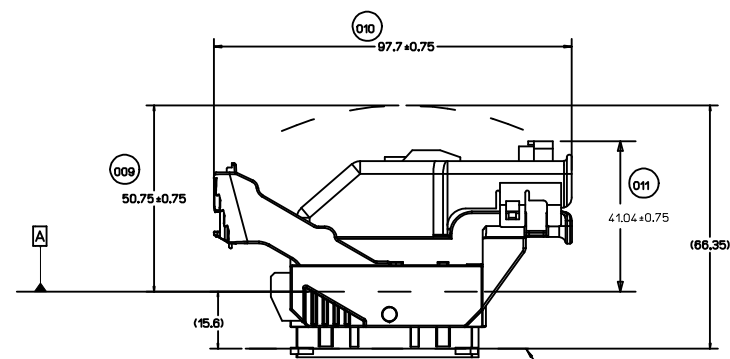


ENTER DESCRIPTION IEC NO: UAU2017-0870 DRAWN: ACHITALLIA 2017/03/27 CHYD: APPR: VKOSHY 2017/03/29	QUALITY SYMBOLS	GENERAL TOLERANCES (UNLESS SPECIFIED)	DIMENSION STYLE	SCALE	DESIGN UNITS	THIRD ANGLE PROJECTION
	$\nabla=0$ $\nabla=0$ $\nabla=0$	mm INCH 4 PLACES ± --- ± --- 3 PLACES ± --- ± --- 2 PLACES ± 0.13 ± --- 1 PLACE ± 0.25 ± --- 0 PLACE ± --- ± ---	MM ONLY	1:1	METRIC	
	DRAFT WHERE APPLICABLE MUST REMAIN WITHIN DIMENSIONS	ANGULAR ± 1° SEE BOM TABLE	DRAWN BY SKRAJENDRANA 2016/12/15 CHECKED BY VKOSHY 2016/12/15 APPROVED BY VKOSHY 2017/03/03	DATE	DATE	DATE
			MATERIAL NO. SD-34576-0001 DOCUMENT NO. SD-34576-0001			TITLE ICD - MX123 18/49/56CKT INTERFACE CONNECTION DRW MOLEX

SHEET NO. 8 OF 22

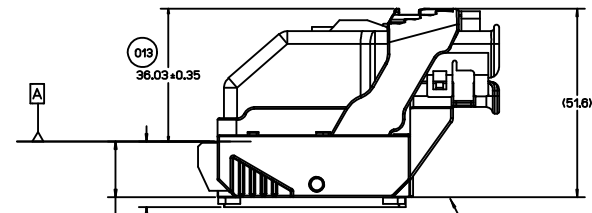


HARNES CONNECTOR CLEARANCE LINE



HARNES CONNECTOR ASSEMBLY
IN PRE-LOCK POSITION

HARNES CONNECTOR CLEARANCE LINE



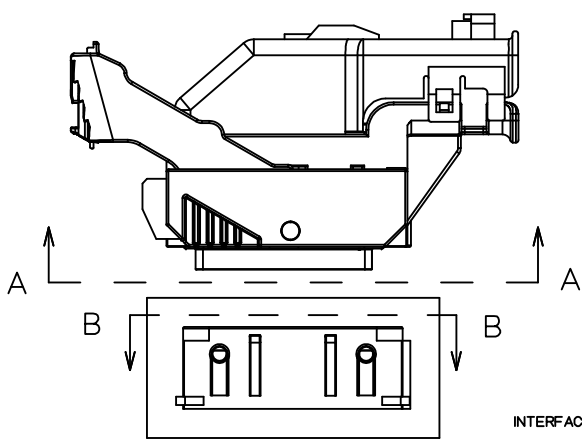
HARNES CONNECTOR CLEARANCE LINE

HARNES CONNECTOR ASSEMBLY
IN FULLY-MATED POSITION

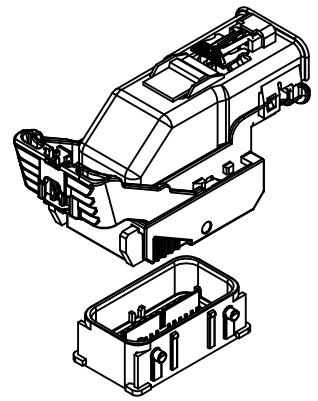
013
7.9 MIN. AT PAD LOCATION
CLEARANCE REQUIRED
FOR HARNES CONNECTOR.
CONSTRUCTION BELOW THIS
PLANE IS NOT CONTROLLED

014
15.0 MIN.
ALL AROUND
CLEARANCE REQUIRED
FOR HARNES CONNECTOR

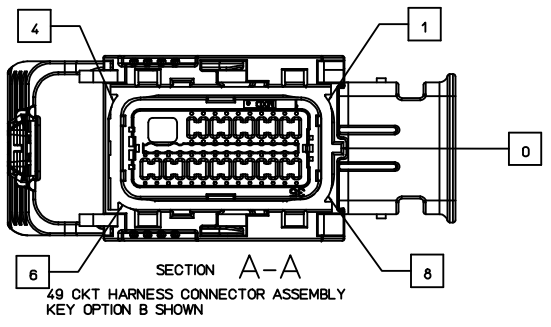
ENTER DESCRIPTION IEC NO: UAU2017-0870 DRAWN: ITALIA 2017/03/27 CHKD: APPR: VKOSHY 2017/03/29 REV:	QUALITY SYMBOLS	GENERAL TOLERANCES (UNLESS SPECIFIED)		DIMENSION STYLE	SCALE	DESIGN UNITS	THIRD ANGLE PROJECTION
	▽=0	4 PLACES	mm	MM ONLY	1:1	METRIC	☉
	▽=0	3 PLACES	INCH				
	▽=0	2 PLACES	± 0.13				
		1 PLACE	± 0.25				
		0 PLACE					
		ANGULAR ± 1 °		MATERIAL NO.		DOCUMENT NO.	
		DRAFT WHERE APPLICABLE MUST REMAIN WITHIN DIMENSIONS		SEE BOM TABLE		SD-34576-0001	
				THIS DRAWING CONTAINS INFORMATION THAT IS PROPRIETARY TO MOLEX INCORPORATED AND SHOULD NOT BE USED WITHOUT WRITTEN PERMISSION		SHEET NO. 9 OF 22	



INTERFACE SIDE SHOWN IN ALL SECTION VIEWS

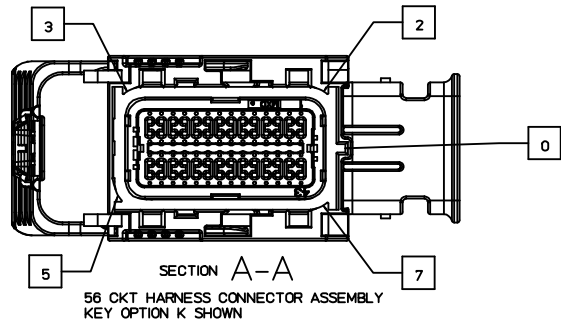


NOTE: REFERENCE THE COMPONENT TABLE FOR KEY OPTIONS AND CONFIGURATIONS



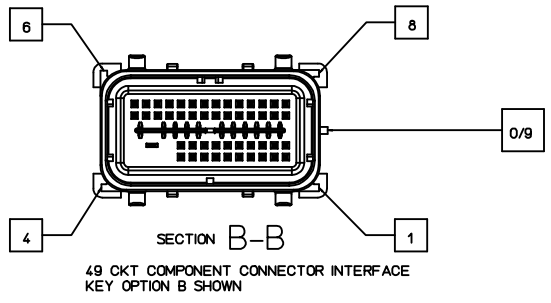
SECTION A-A

49 CKT HARNESS CONNECTOR ASSEMBLY
KEY OPTION B SHOWN



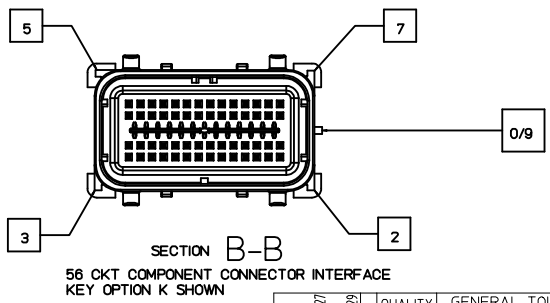
SECTION A-A

56 CKT HARNESS CONNECTOR ASSEMBLY
KEY OPTION K SHOWN



SECTION B-B

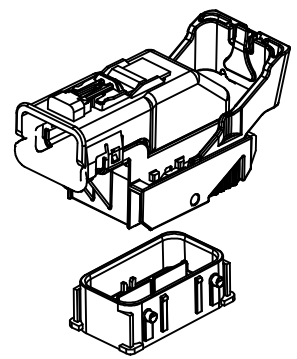
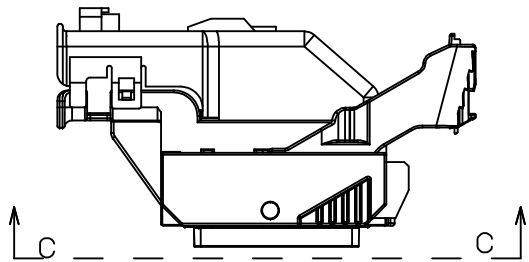
49 CKT COMPONENT CONNECTOR INTERFACE
KEY OPTION B SHOWN



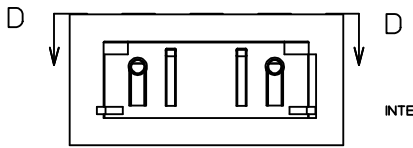
SECTION B-B

56 CKT COMPONENT CONNECTOR INTERFACE
KEY OPTION K SHOWN

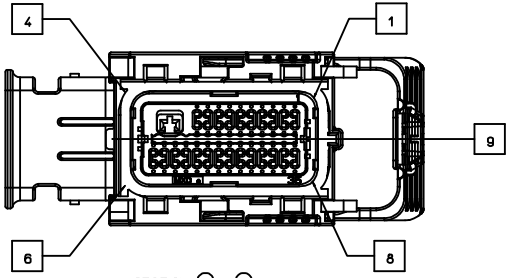
ENTER DESCRIPTION IEC NO: UAU2017-0870 DRAWN: CHAITALIA 2017/03/27 CHKD: APPR: VKOSHY 2017/03/29 REV:	QUALITY SYMBOLS	GENERAL TOLERANCES (UNLESS SPECIFIED)	DIMENSION STYLE	SCALE	DESIGN UNITS	THIRD ANGLE PROJECTION
	▽=0	mm INCH	MM ONLY	1:1	METRIC	
	▽=0	4 PLACES ± --- + ---	DRAWN BY SKRAJENDRANA	DATE 2016/12/15	TITLE ICD - MX123 18/49/56CKT INTERFACE CONNECTION DRW	
	▽=0	3 PLACES ± --- + ---	CHECKED BY VKOSHY	DATE 2016/12/15	MOLEX	
▽=0	2 PLACES ± 0.13 ± ---	1 PLACE ± 0.25 ± ---	APPROVED BY VKOSHY	DATE 2017/03/03	MATERIAL NO. DOCUMENT NO. SD-34576-0001	
A4	ANGULAR ± 1 °	DRAFT WHERE APPLICABLE MUST REMAIN WITHIN DIMENSIONS	SEE BOM TABLE	SHEET NO. 10 OF 22		
			THIS DRAWING CONTAINS INFORMATION THAT IS PROPRIETARY TO MOLEX INCORPORATED AND SHOULD NOT BE USED WITHOUT WRITTEN PERMISSION			



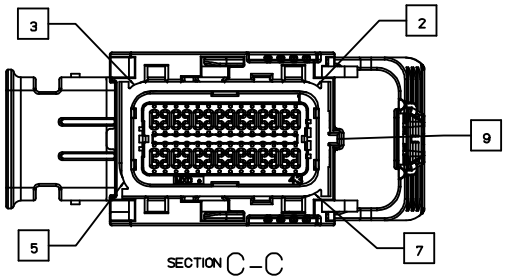
NOTE: REFERENCE THE COMPONENT TABLE FOR KEY OPTIONS AND CONFIGURATIONS



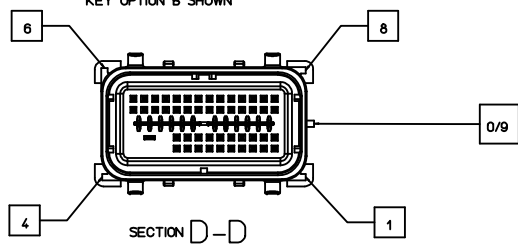
INTERFACE SIDE SHOWN ON ALL SECTION VIEWS



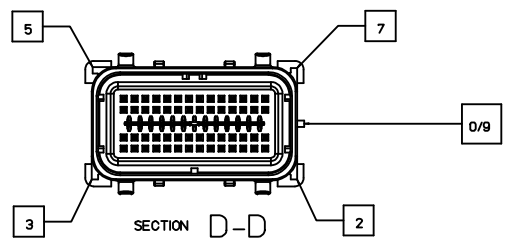
SECTION C-C
49 CKT HARNESS CONNECTOR ASSEMBLY
KEY OPTION B SHOWN



SECTION C-C
56 CKT HARNESS CONNECTOR ASSEMBLY
KEY OPTION K SHOWN



SECTION D-D
49 CKT COMPONENT CONNECTOR INTERFACE
KEY OPTION B SHOWN

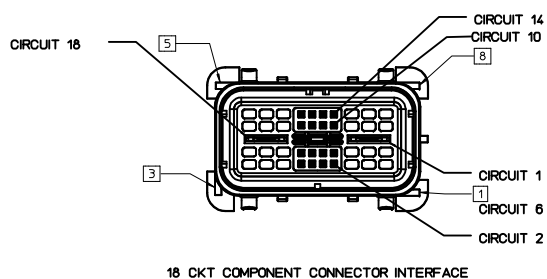
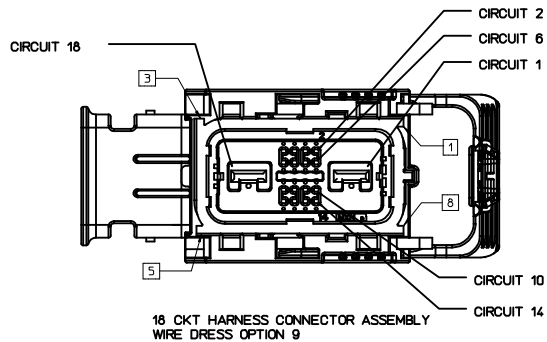
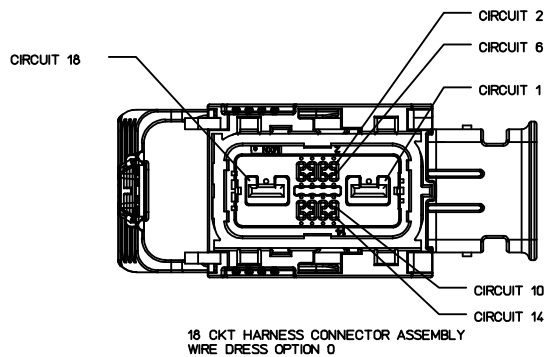


SECTION D-D
56 CKT COMPONENT CONNECTOR INTERFACE
KEY OPTION K SHOWN

ENTER DESCRIPTION IEC NO. UAU2017-0870 DRAWN: CHITALIA 2017/03/27 CHKD: APPR: VKOSHY 2017/03/29	QUALITY SYMBOLS	GENERAL TOLERANCES (UNLESS SPECIFIED)	DIMENSION STYLE	SCALE	DESIGN UNITS	THIRD ANGLE PROJECTION
	▽=0	4 PLACES ±	MM ONLY	1:1	METRIC	☉
	▽=0	3 PLACES ±				
	▽=0	2 PLACES ±0.13				
	1 PLACE ±0.25	ANGULAR ± 1°				
	0 PLACE ±	DRAFT WHERE APPLICABLE MUST REMAIN WITHIN DIMENSIONS	SEE BOM TABLE			
			MATERIAL NO.	DOCUMENT NO.		SHEET NO.
				SD-34576-0001		11 OF 22

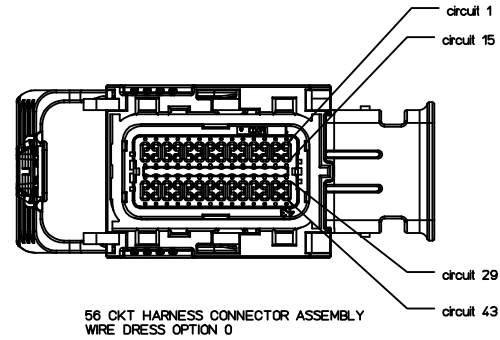
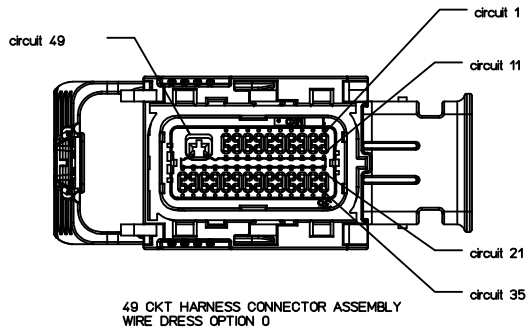
TITLE
ICD - MX123 18/49/56CKT
INTERFACE CONNECTION DRW
MOLEX

molex

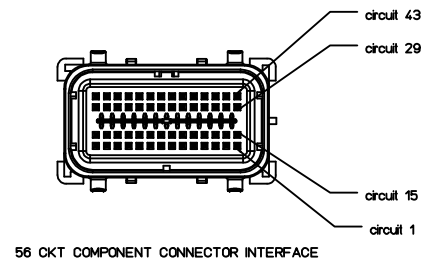
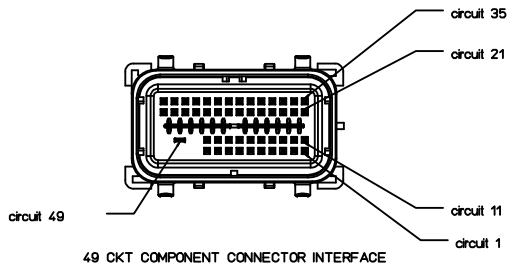
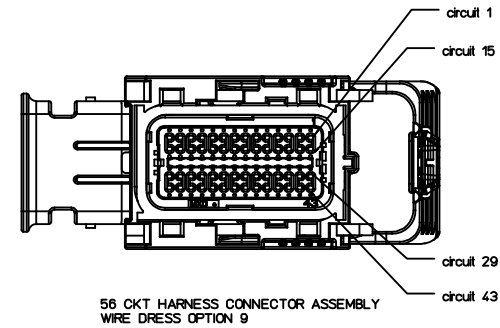
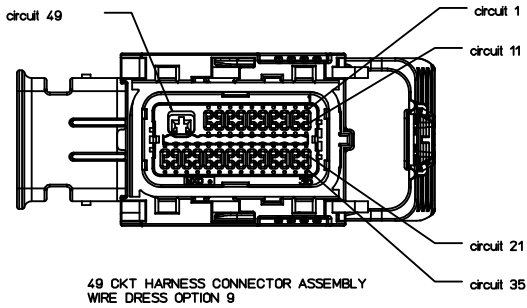


INTERFACE SIDE SHOWN ON ALL VIEWS

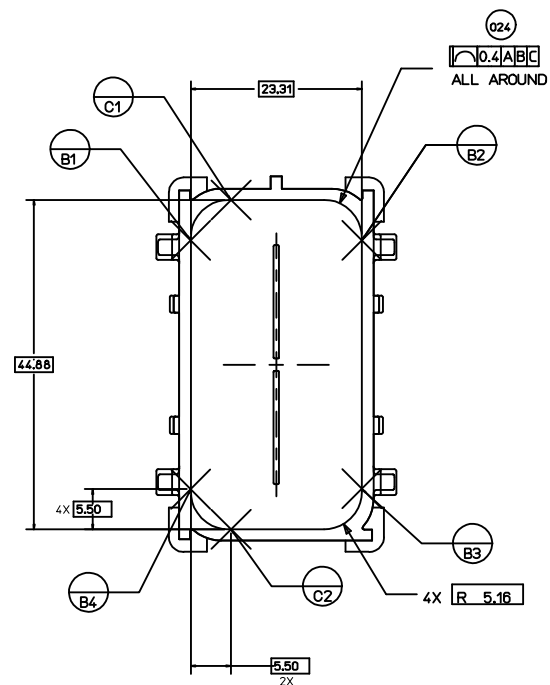
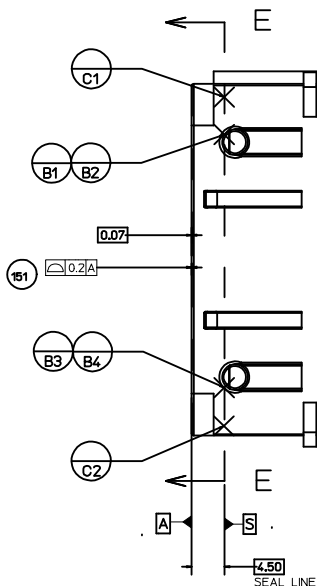
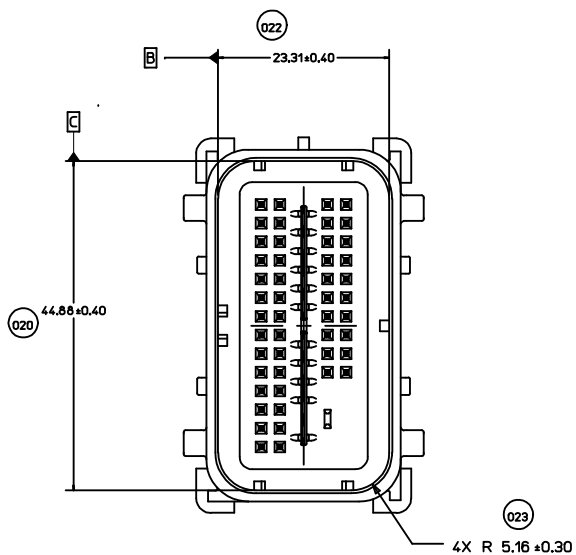
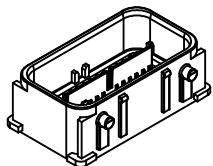
ENTER DESCRIPTION IEC NO: UAU2017-0870 DRAWN: ACHITALLIA 2017/03/27 CHKD: APPR: VKOSHY 2017/03/29 REV DESCRIPTION	QUALITY SYMBOLS	GENERAL TOLERANCES (UNLESS SPECIFIED)	DIMENSION STYLE	SCALE	DESIGN UNITS	THIRD ANGLE PROJECTION	
	▽=0	mm INCH	MM ONLY	1:1	METRIC		
	▽=0	4 PLACES ± 0.13					
	▽=0	3 PLACES ± 0.25					
		ANGULAR ± 1°					
		DRAFT WHERE APPLICABLE MUST REMAIN WITHIN DIMENSIONS	SEE BOM TABLE				
			MATERIAL NO.	DOCUMENT NO.		SHEET NO.	
				SD-34576-0001		12 OF 22	
			THIS DRAWING CONTAINS INFORMATION THAT IS PROPRIETARY TO MOLEX INCORPORATED AND SHOULD NOT BE USED WITHOUT WRITTEN PERMISSION				



INTERFACE SIDE SHOWN ON ALL VIEWS



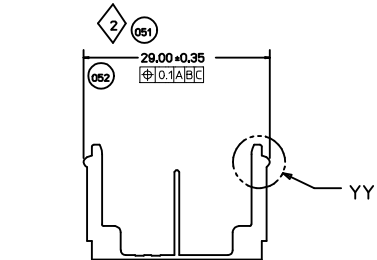
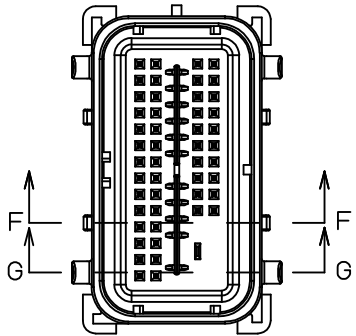
ENTER DESCRIPTION IEC NO: UAU2017-0870 DRAWN IN: AUSTRALIA CHKD: APPR: VKOSHY DATE: 2017/03/27 REV: 2017/03/29	QUALITY SYMBOLS	GENERAL TOLERANCES (UNLESS SPECIFIED)	DIMENSION STYLE	SCALE	DESIGN UNITS	THIRD ANGLE PROJECTION	
	▽=0	4 PLACES ± mm ± INCH	MM ONLY	1:1	METRIC		
	▽=0	3 PLACES ± 0.13					
	▽=0	2 PLACES ± 0.25					
		ANGULAR ± 1°					
		DRAFT WHERE APPLICABLE MUST REMAIN WITHIN DIMENSIONS	SEE BOM TABLE				
			MATERIAL NO. SKRAJENDRANA 2016/12/15				
			CHECKED BY VKOSHY 2016/12/15				
			APPROVED BY VKOSHY 2017/03/03				
			TITLE ICD - MX123 18/49/56CKT INTERFACE CONNECTION DRW MOLEX				
			DOCUMENT NO. SD-34576-0001				
						SHEET NO. 13 OF 22	
			THIS DRAWING CONTAINS INFORMATION THAT IS PROPRIETARY TO MOLEX INCORPORATED AND SHOULD NOT BE USED WITHOUT WRITTEN PERMISSION				



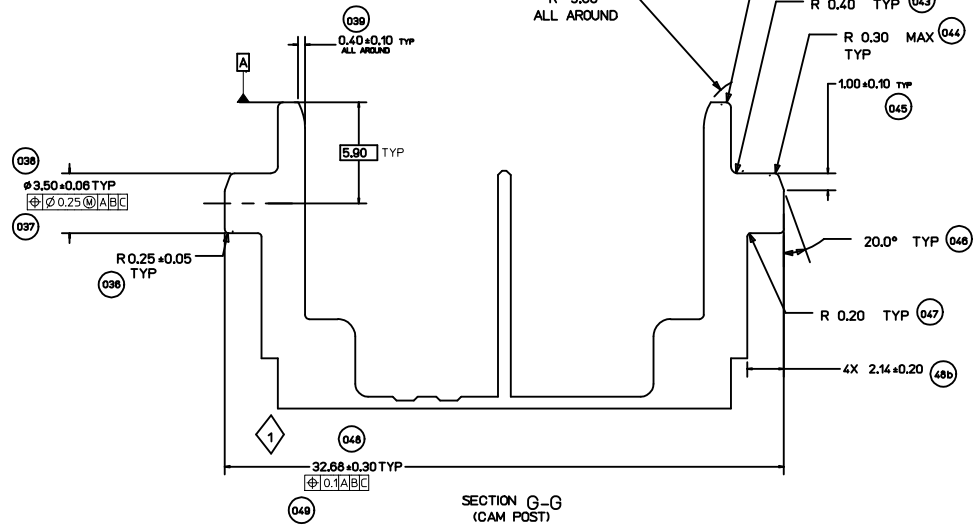
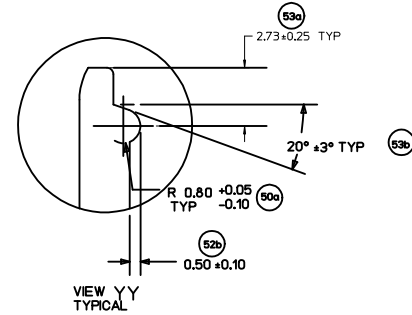
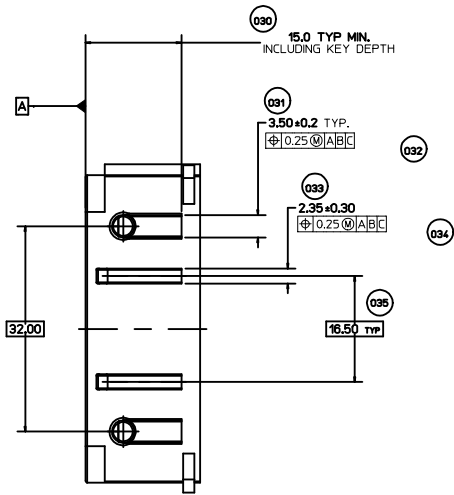
SECTION E-E
(AT SEAL LINE)

UNLESS SPECIFIED, TOLERANCE OF THE DEVICE INTERFACE TO BE $\boxed{0.13|A|B|C}$

ENTER DESCRIPTION IEC NO: UAU2017-0870 DRAWN: ITALIA 2017/03/27 CHKD: APPR: VKOSHY 2017/03/29 REV:	QUALITY SYMBOLS	GENERAL TOLERANCES (UNLESS SPECIFIED)	DIMENSION STYLE	SCALE	DESIGN UNITS	THIRD ANGLE PROJECTION
	$\nabla=0$ $\nabla=0$ $\nabla=0$	mm INCH 4 PLACES ± --- ± --- 3 PLACES ± --- ± --- 2 PLACES ± 0.13 ± --- 1 PLACE ± 0.25 ± --- 0 PLACE ± --- ± ---	MM ONLY	1:1	METRIC	☉ □ THIRD ANGLE PROJECTION
	ANGULAR ± 1 ° DRAFT WHERE APPLICABLE MUST REMAIN WITHIN DIMENSIONS	DRAWN BY: SKRA JENDRANA 2016/12/15 CHECKED BY: VKOSHY 2016/12/15 APPROVED BY: VKOSHY 2017/03/03	SEE BOM TABLE			TITLE: ICD - MX123 18/49/56CKT INTERFACE CONNECTION DRW MOLEX molex
	MATERIAL NO: DOCUMENT NO: SD-34576-0001 SHEET NO: 14 OF 22	THIS DRAWING CONTAINS INFORMATION THAT IS PROPRIETARY TO MOLEX INCORPORATED AND SHOULD NOT BE USED WITHOUT WRITTEN PERMISSION				

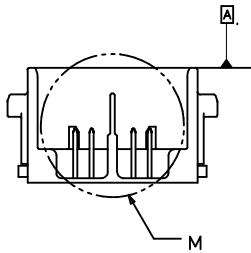
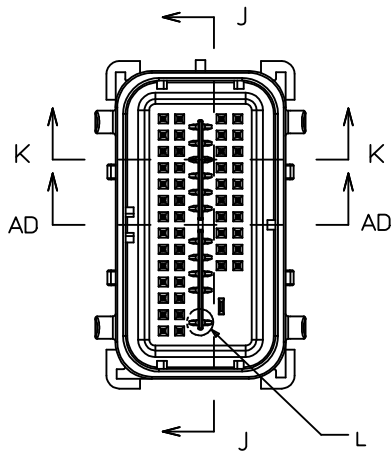


SECTION F-F
(RELEASE FEATURE)

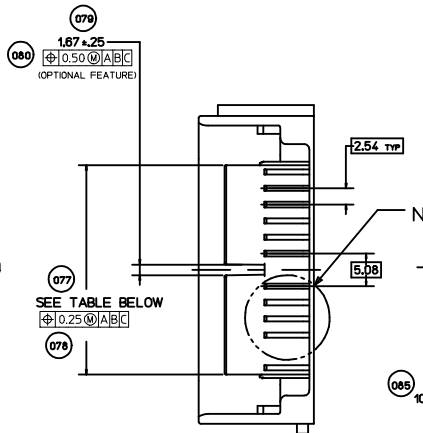


SECTION G-G
(CAM POST)

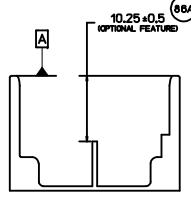
ENTER DESCRIPTION ELEC NO: UAU2017-0870 DRAWN IN ITALY 2017/03/27 CHKD: DRW:WACHITALIA APPR:VKOSHY 2017/03/29	QUALITY SYMBOLS	GENERAL TOLERANCES (UNLESS SPECIFIED)	DIMENSION STYLE	SCALE	DESIGN UNITS	THIRD ANGLE PROJECTION	
	▽=0	mm	MM ONLY	1:1	METRIC	☉	
	▽=0	INCH	4 PLACES +--- +---	DRAWN BY	DATE	TITLE	
	▽=0		3 PLACES +--- +---	SKRAJENDRANA	2016/12/15	ICD - MX123 18/49/56CKT	
		2 PLACES ±0.13 +--- +---	CHECKED BY	DATE	INTERFACE CONNECTION DRW		
		1 PLACE ±0.25 +--- +---	APPROVED BY	DATE	MOLEX		
		0 PLACE +--- +---	VKOSHY	2017/03/03	molex		
		ANGULAR ± 1 °	MATERIAL NO.	DOCUMENT NO.	SD-34576-0001	SHEET NO.	
		DRAFT WHERE APPLICABLE MUST REMAIN WITHIN DIMENSIONS	SEE BOM TABLE	SIZE	D	15 OF 22	
			THIS DRAWING CONTAINS INFORMATION THAT IS PROPRIETARY TO MOLEX INCORPORATED AND SHOULD NOT BE USED WITHOUT WRITTEN PERMISSION				



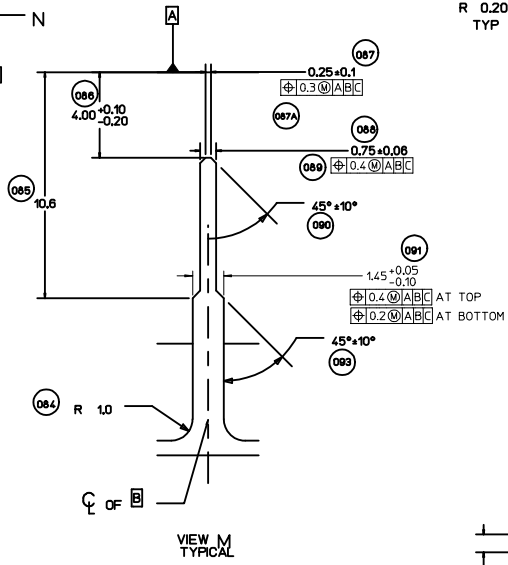
SECTION K-K



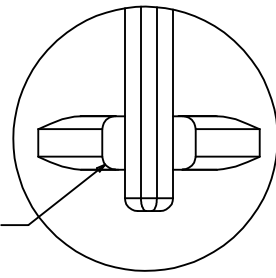
SECTION J-J



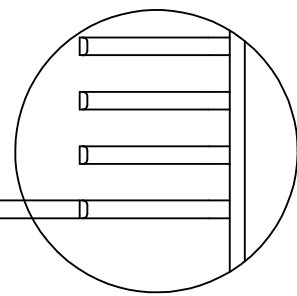
SECTION AD-AD



VIEW M TYPICAL



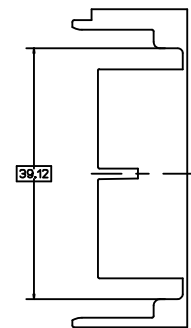
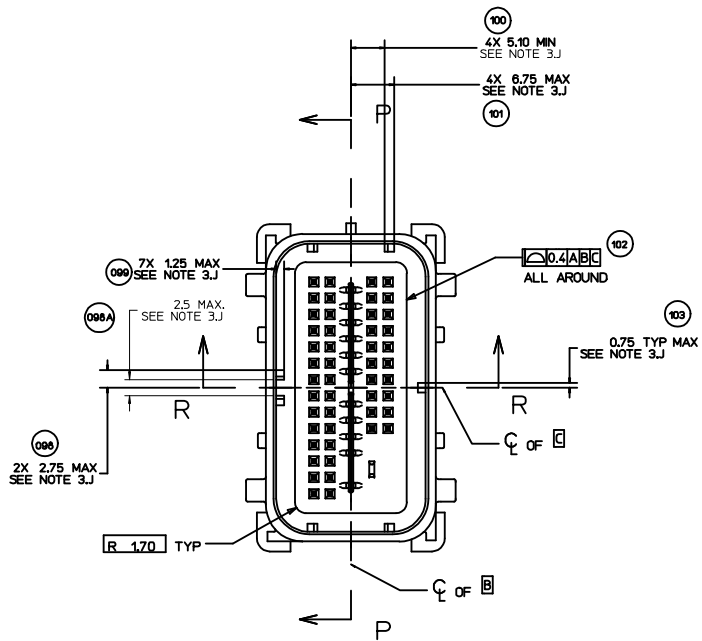
VIEW L



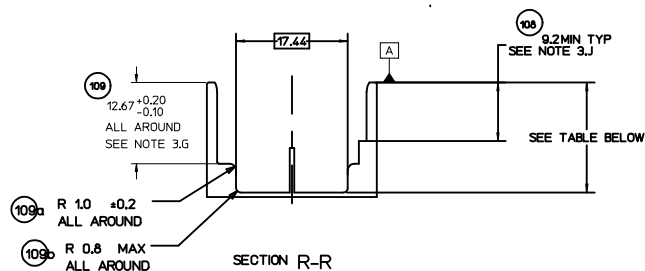
VIEW N

CKT	DIM (077)
49 / 56 CKT	32.60 +0.10/-0.60
18 CKT	10.04 +0.10/-0.60

ENTER DESCRIPTION IEC NO: UAU2017-0870 DRAWN IN ITALY 2017/03/27 CHKD: CHYK APPR: VKOSHY 2017/03/29	QUALITY SYMBOLS	GENERAL TOLERANCES (UNLESS SPECIFIED)	DIMENSION STYLE	SCALE	DESIGN UNITS	THIRD ANGLE PROJECTION	
	∇=0 ∇=0 ∇=0	4 PLACES ± mm ± INCH 3 PLACES ± --- ± --- 2 PLACES ± 0.13 ± --- 1 PLACE ± 0.25 ± --- 0 PLACE ± --- ± ---	MM ONLY	1:1	METRIC	SKRA JENDRANA 2016/12/15 VKOSHY 2016/12/15 VKOSHY 2017/03/03	ICD - MX123 18/49/56CKT INTERFACE CONNECTION DRW MOLEX molex
	ANGULAR ± 1 ° DRAFT WHERE APPLICABLE MUST REMAIN WITHIN DIMENSIONS	MATERIAL NO. SEE BOM TABLE	DOCUMENT NO. SD-34576-0001	SHEET NO. 17 OF 22			
	THIS DRAWING CONTAINS INFORMATION THAT IS PROPRIETARY TO MOLEX INCORPORATED AND SHOULD NOT BE USED WITHOUT WRITTEN PERMISSION						



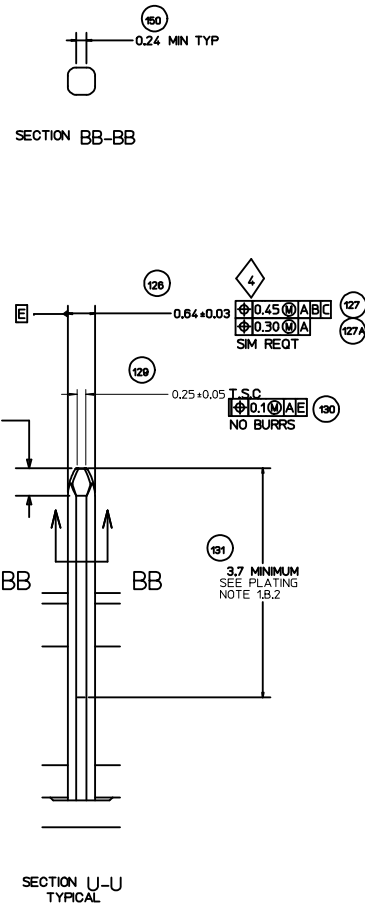
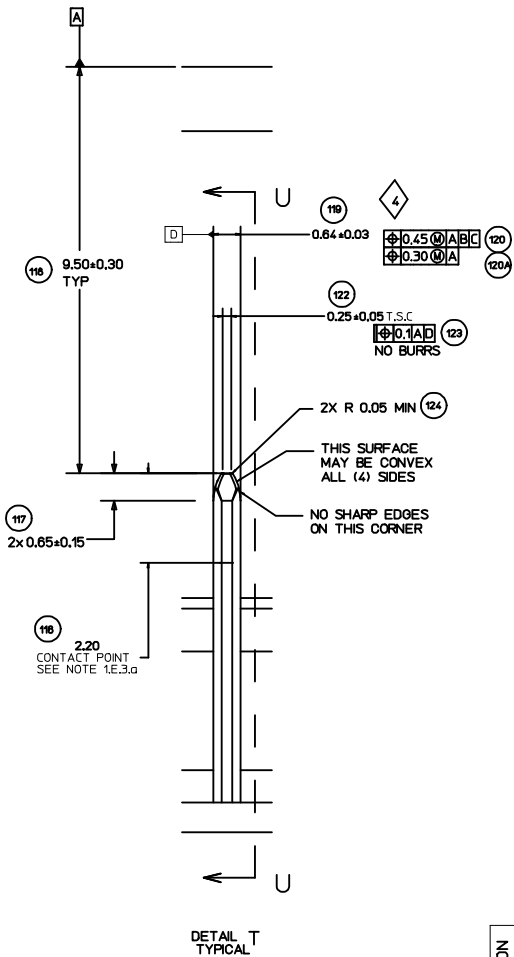
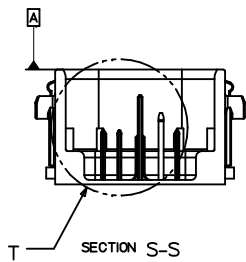
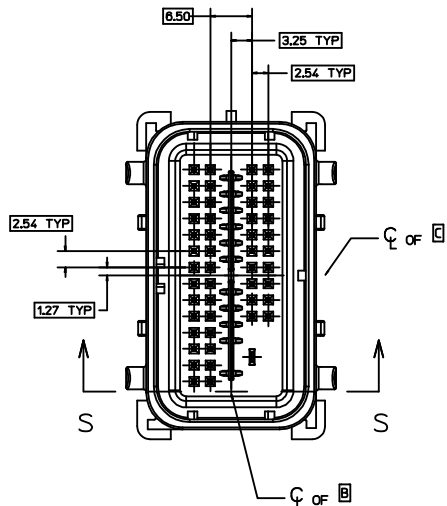
SECTION P-P



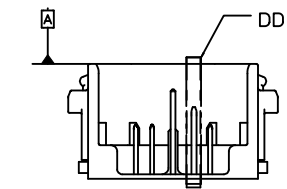
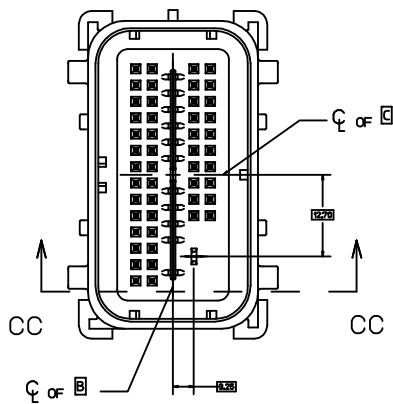
SECTION R-R

CKT	DIM 100
49 / 56 CKT	17.20 +0.20/-0.10
18 CKT	17.50 +0.20/-0.10

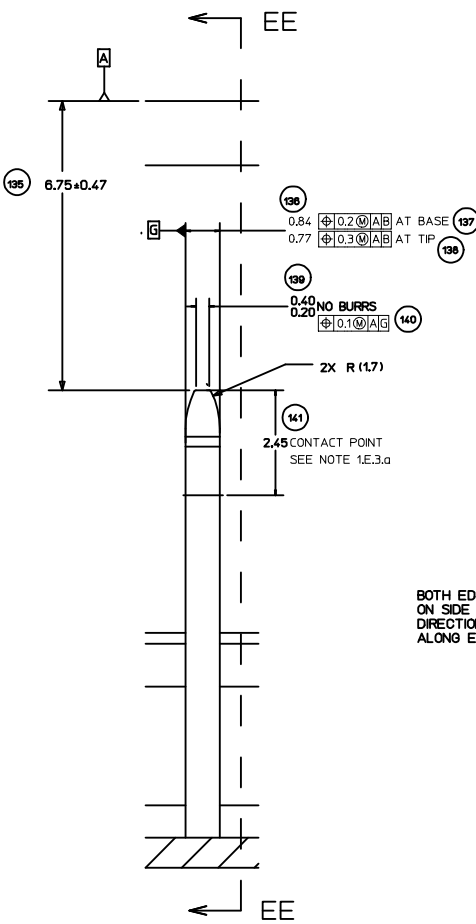
ENTER DESCRIPTION IEC NO: UAU2017-0870 DRAWN: ACHITALLA 2017/03/27 CHKD: APPR: VKOSHY 2017/03/29 REV:	QUALITY SYMBOLS	GENERAL TOLERANCES (UNLESS SPECIFIED)	DIMENSION STYLE	SCALE	DESIGN UNITS	THIRD ANGLE PROJECTION
	▽=0	mm INCH	MM ONLY	1:1	METRIC	
	▽=0	4 PLACES ± --- + ---	DRAWN BY	DATE	TITLE	
	▽=0	3 PLACES ± --- + ---	SKRAJENDRANA	2016/12/15	ICD - MX123 18/49/56CKT	
	2 PLACES ± 0.13 ± --- + ---	CHECKED BY	DATE	INTERFACE CONNECTION DRW		
	1 PLACE ± 0.25 ± --- + ---	VKOSHY	2016/12/15	MOLEX		
	0 PLACE ± --- ± --- + ---	APPROVED BY	DATE			
	ANGULAR ± 1 °	VKOSHY	2017/03/03			
	DRAFT WHERE APPLICABLE MUST REMAIN WITHIN DIMENSIONS	MATERIAL NO.	SEE BOM TABLE	DOCUMENT NO.	SD-34576-0001	SHEET NO. 18 OF 22
		SIZE	THIS DRAWING CONTAINS INFORMATION THAT IS PROPRIETARY TO MOLEX INCORPORATED AND SHOULD NOT BE USED WITHOUT WRITTEN PERMISSION			



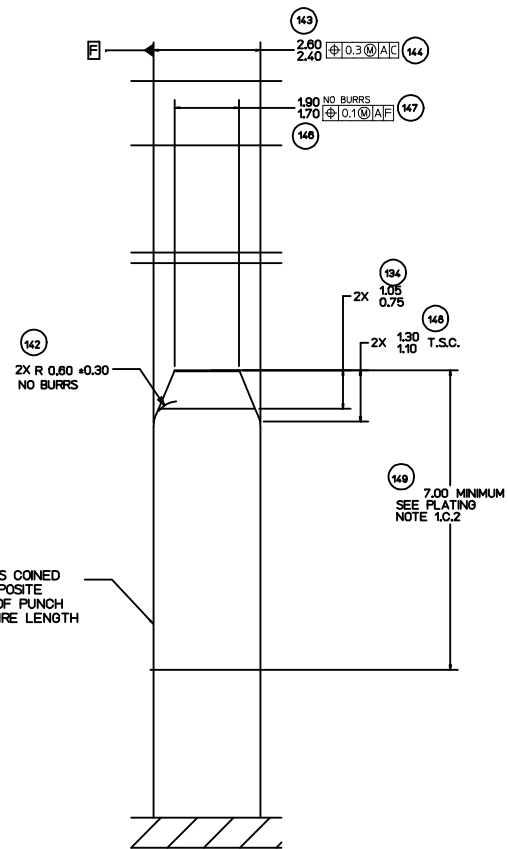
ENTER DESCRIPTION IEC NO: UAU2017-0870 DRAWN: CHTALIA 2017/03/27 CHKD: APPR: VKOSHY 2017/03/29	QUALITY SYMBOLS	GENERAL TOLERANCES (UNLESS SPECIFIED)	DIMENSION STYLE	SCALE	DESIGN UNITS	THIRD ANGLE PROJECTION
	▽=0	mm INCH	MM ONLY	1:1	METRIC	
	▽=0	4 PLACES ± ---	SKRAJENDRANA 2016/12/15			TITLE
	▽=0	3 PLACES ± ---	DATE			ICD - MX123 18/49/56CKT
	3 PLACES ± ---	2 PLACES ± 0.13	VKOSHY 2016/12/15			INTERFACE CONNECTION DRW
	2 PLACES ± 0.13	1 PLACE ± 0.25	DATE			MOLEX
	1 PLACE ± 0.25	0 PLACE ± ---	VKOSHY 2017/03/03			molex
	0 PLACE ± ---	ANGULAR ± 1 °				DOCUMENT NO.
		DRAFT WHERE APPLICABLE MUST REMAIN WITHIN DIMENSIONS	SEE BOM TABLE			SD-34576-0001
						SHEET NO.
						19 OF 22
						THIS DRAWING CONTAINS INFORMATION THAT IS PROPRIETARY TO MOLEX INCORPORATED AND SHOULD NOT BE USED WITHOUT WRITTEN PERMISSION



SECTION CC-CC



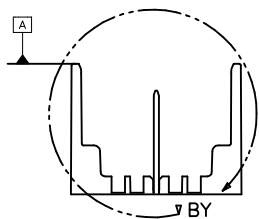
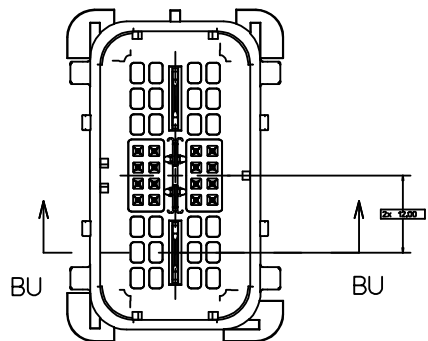
DETAIL DD
TYPICAL



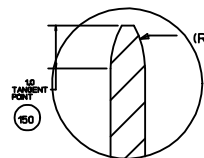
SECTION EE-EE
TYPICAL

BOTH EDGES COINED
ON SIDE OPPOSITE
DIRECTION OF PUNCH
ALONG ENTIRE LENGTH

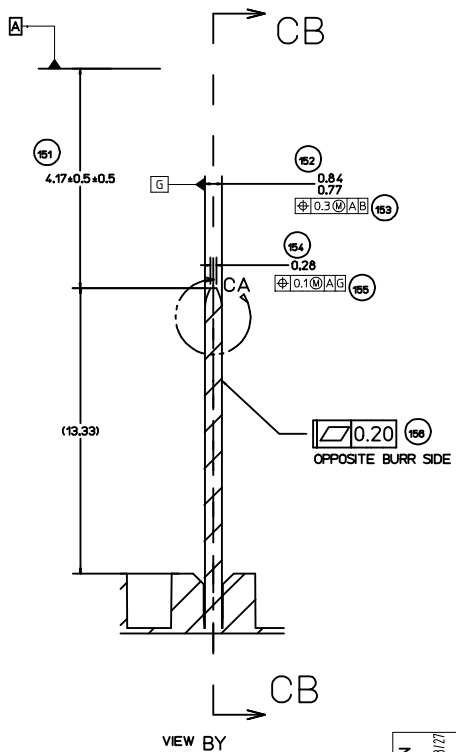
ENTER DESCRIPTION IEC NO: UAU2017-0870 DRAWN: CHITALIA CHKD: APPR: VKOSHY 2017/03/27 2017/03/29 A4	QUALITY SYMBOLS ∇=0 ∇=0 ∇=0	GENERAL TOLERANCES (UNLESS SPECIFIED) mm INCH 4 PLACES ± --- ± --- 3 PLACES ± --- ± --- 2 PLACES ± 0.13 ± --- 1 PLACE ± 0.25 ± --- 0 PLACE ± --- ± ---	DIMENSION STYLE MM ONLY	SCALE 1:1	DESIGN UNITS METRIC	THIRD ANGLE PROJECTION	
	DRAFT WHERE APPLICABLE MUST REMAIN WITHIN DIMENSIONS	ANGULAR ± 1 °	MATERIAL NO. SEE BOM TABLE	DRAWN BY SKRAJENDRANA	DATE 2016/12/15	TITLE ICD - MX123 18/49/56CKT INTERFACE CONNECTION DRW MOLEX	SHEET NO. 20 OF 22
	SIZE D	THIS DRAWING CONTAINS INFORMATION THAT IS PROPRIETARY TO MOLEX INCORPORATED AND SHOULD NOT BE USED WITHOUT WRITTEN PERMISSION	DOCUMENT NO. SD-34576-0001	MOLEX	DATE 2017/03/03	APPROVED BY VKOSHY	DATE 2016/12/15
	APPR: VKOSHY	DATE 2017/03/29	DATE 2017/03/03	DATE 2016/12/15	DATE 2016/12/15	DATE 2016/12/15	DATE 2016/12/15



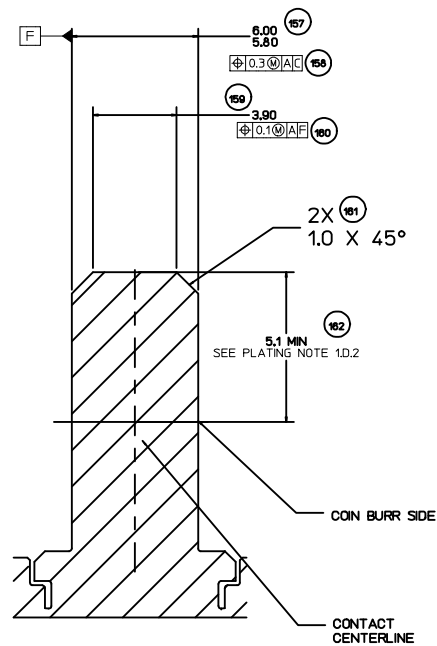
SECTION BU-BU



VIEW CA
SCALE 10:1



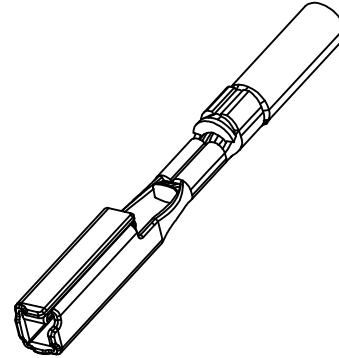
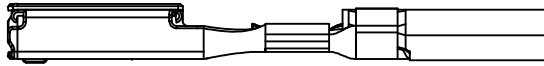
VIEW BY



SECTION CB-CB

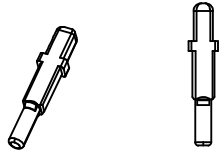
ENTER DESCRIPTION IEC NO: UAU2017-0870 DRAWN: ACHITALLIA 2017/03/27 CHKD: APPR: VKOSHY 2017/03/29 REV:	QUALITY SYMBOLS	GENERAL TOLERANCES (UNLESS SPECIFIED)	DIMENSION STYLE	SCALE	DESIGN UNITS	THIRD ANGLE PROJECTION
	$\nabla=0$ $\nabla=0$ $\nabla=0$	mm INCH 4 PLACES #--- #--- 3 PLACES #--- #--- 2 PLACES #0.13 #--- 1 PLACE #0.25 #--- 0 PLACE #--- #---	MM ONLY	1:1	METRIC	
	MATERIAL NO. SEE BOM TABLE	DATE SKRA JENDRANA 2016/12/15 DATE VKOSHY 2016/12/15 DATE VKOSHY 2017/03/03	TITLE ICD - MX123 18/49/56CKT INTERFACE CONNECTION DRW MOLEX	DOCUMENT NO. SD-34576-0001	SHEET NO. 21 OF 22	
	DRAFT WHERE APPLICABLE MUST REMAIN WITHIN DIMENSIONS	ANGULAR $\pm 1^\circ$ DRAFT WHERE APPLICABLE MUST REMAIN WITHIN DIMENSIONS	THIS DRAWING CONTAINS INFORMATION THAT IS PROPRIETARY TO MOLEX INCORPORATED AND SHOULD NOT BE USED WITHOUT WRITTEN PERMISSION			

MOLEX MX64 RECEPTACLE TERMINAL INFORMATION						
ITEM	MOLEX P/N	WIRE SIZE MM2	TYPE	PLATING	REEL WIND DIRECTION	COMMENTS
1	34736-0025	0.35	ISO	SILVER	LEFT	
2	34736-0026	0.35	ISO	SILVER	RIGHT	
3	34736-0027	0.5 / 0.75	ISO	SILVER	LEFT	
4	34736-0028	0.5 / 0.75	ISO	SILVER	RIGHT	



CAVITY PLUGS								
ITEM	MFG	MFG P/N	SIZE	COLOR	MFG DRAWING	PROD SPEC	APP SPEC	COMMENTS
1	MOLEX	34586-0001	0.64	NATURAL	SD-34586-001	PS-34566-0000	AS-34566-001	
2	YAZAKI	7158-3114-90	2.8	BLUE	7158-3114-90	YPES-11-04-062	YPES-15-299	

ITEM 1



ITEM 2

ENTER DESCRIPTION EEC NO: UAU2017-0870 DRAWN: A4 CHKD: A4 APPR: VKOSHY 2017/03/27 2017/03/29 DESCRIPTION	QUALITY SYMBOLS	GENERAL TOLERANCES (UNLESS SPECIFIED)	DIMENSION STYLE	SCALE	DESIGN UNITS	THIRD ANGLE PROJECTION	
	▽=0	4 PLACES ± mm INCH	MM ONLY	1:1	METRIC	☉	
	▽=0	3 PLACES ± 0.13					
	▽=0	1 PLACE ± 0.25					
		ANGULAR ± 1°					
		DRAFT WHERE APPLICABLE MUST REMAIN WITHIN DIMENSIONS	SEE BOM TABLE				
			DRAWN BY SKRA JENDRANA	DATE 2016/12/15	TITLE ICD - MX123 18/49/56CKT INTERFACE CONNECTION DRW		
			CHECKED BY VKOSHY	DATE 2016/12/15	MOLEX		
			APPROVED BY VKOSHY	DATE 2017/03/03			
			MATERIAL NO.	DOCUMENT NO.		SHEET NO.	
				SD-34576-0001		22 OF 22	
			THIS DRAWING CONTAINS INFORMATION THAT IS PROPRIETARY TO MOLEX INCORPORATED AND SHOULD NOT BE USED WITHOUT WRITTEN PERMISSION				