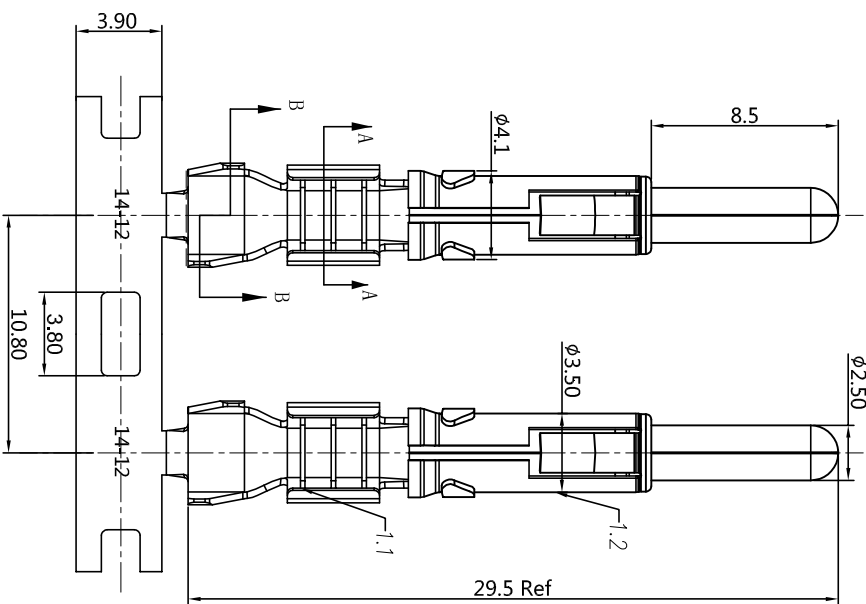
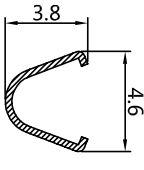
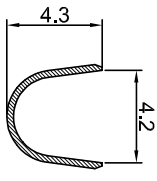


CONTACT ORIENTATION ON ROLL

NOTES : (UNLESS OTHERWISE SPECIFIED)

1. MATERIAL :
- 1.1. CONTACT BODY : COPPER ALLOY.
 - 1.2. OUTER SPRING : STAINLESS STEEL.
2. SPECIFICATIONS :
- 2.1. CURRENT RATING : 23A MAX.
 - 2.2. TERMINATION TYPE : CRIMPING.
 - 2.3. WIRE RANGE : 14~12AWG.
 - 2.4. WIRE INSULATION DIA(MAX) : $\phi 4.3\text{mm}$.
3. ROHS COMPLIANT.
4. ALL DIMENSIONS ARE FOR REFERENCE USE ONLY.

P/N	CONTACT PLATING(MATING AREA)
SP12A1T	TIN PLATING OVER NICKEL.
SP12A1F	GOLD FLASH PLATING OVER NICKEL.
SP12A1G10	10 μ "GOLD PLATING OVER NICKEL.
SP12A1G15	15 μ "GOLD PLATING OVER NICKEL.
SP12A1G30	30 μ "GOLD PLATING OVER NICKEL.



REVISONS				
REV	ECO	DESCRIPTION	DATE	BY / APPR
B1	-	RELEASED DRAWING	JAN-18-2014	ARROW / TOMMY
B2	-	UPDATE DRAWING	NOV-09-2016	FLAN / TOMMY

QUANTITY	PART NUMBER	DESCRIPTION	ITEM
MATERIALS LIST			
UNLESS OTHERWISE SPECIFIED 1) All dimensions are in millimeters. 2) Tolerances are as follows: 1 PL DEC 40.30 Fractions .1754 3 PL DEC 40.08 3) Note reference = Δ			
SIGNATURES DATE DRAWN: FLN No:02/16 CHECKED: TDD No:02/16 ENGINEER: TOMMY APPROVAL: TOMMY No:02/16 CUSTOMER:		THIS DRAWING IS SUPERSEDED BY ANY LATER REVISIONS. SPECIFICATIONS AND PERFORMANCE DATA ARE SUBJECT TO CHANGE WITHOUT NOTICE. THE MATERIAL CORPORATION NO RIGHTS OF REPRODUCTION ARE GIVEN. ALL MANUFACTURING VARIATIONS SHALL BE ACCEPTED.	
PROCESS SPECIFICATIONS:			
MATERIAL SPECIFICATIONS:			
NEXT ASSY:			
SCALE: NONE			
SHEET 1 OF 1			
Amphenol Site Systems - www.amphenol-sine.com 44724 Morley Drive Clinton Township, MI 48036			
ECO-MATE PIN CONTACT, STAMPED, 14-12AWG, 2.5mm CONTACT			
TITLE: ECO-MATE PIN CONTACT, STAMPED, 14-12AWG, 2.5mm			
DWG NO: SP12A1XX			
REV: B2			
SHE: 1			