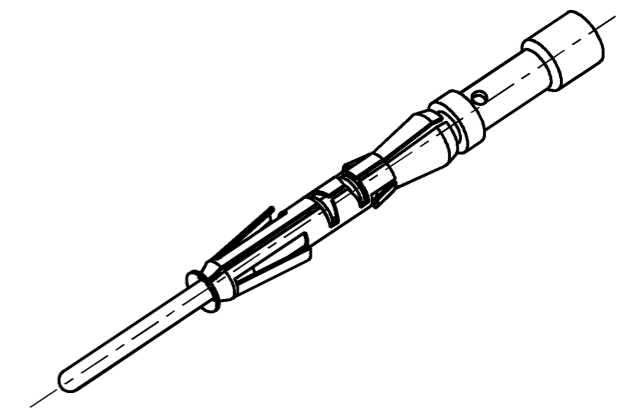
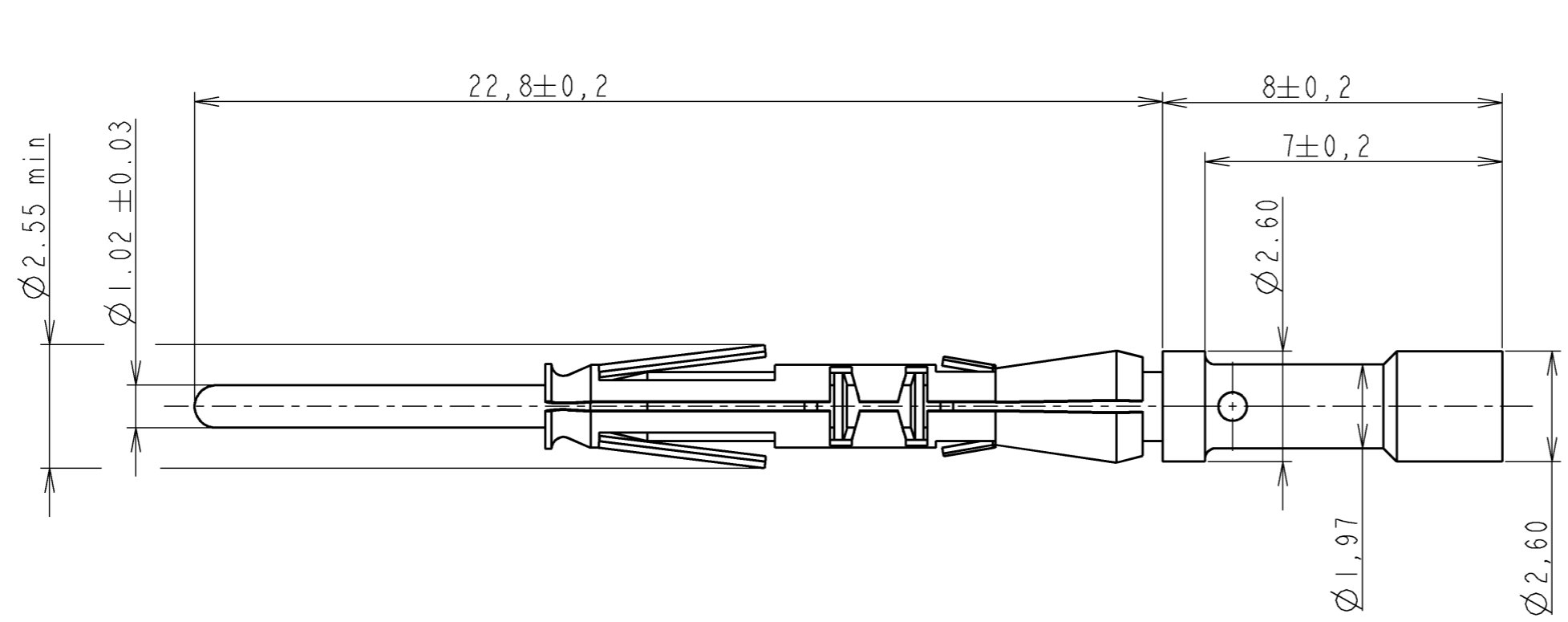


c:0:RL

H G F E D C B A



**Notes :**

- Machined contact
- Extraction tool : RX20D44
- Crimping tool : S20RCM

**Material :**

- Contact body:high conductive copper alloy  
:plating: K : 0.4 micron gold over nickel
- Retaining spring:stainless steel

**Performance Characteristics :**

- Contact retention in the body:50N max
- Contact insertion force:5N max
- Contact separation force:2N min
- Current rating:7.5 Amps
- Contact resistance:6mΩ max
- Dielectric withstanding voltage:1500 Vrms min
- Diameter over insulation 1.20 mm min up to 2.10 mm max
- Section of wire 0.50 mm<sup>2</sup> min up to 0.82 mm<sup>2</sup> max
- Wire strip lenght : 4,8 mm

**P/N : RM18W3K**

<b>C</b>	20/04/11	Update of performance characteristics		21654
ISS	DATE	Latest modification - by:	MOREAU F.	MOD N°
Designed by:		PROVOST C.	Date: 18/11/03	CUSTOMER DRAWING
TITLE		Male crimp contact AWG 20 - 18 Connector UT0W		
Scale	7/1		General linear Tolerances: ± 0.1	NPRDS / PROJECT RM
		WWW.SOURIAU.COM		This document is the property of SOURIAU It must not be reproduced or communicated without permission
FORMAT	A3	SOURIAU DRG N° RM18W3K-C01		SHEET 1 / 1

H G F E D C B A