

PE0003 Universal Interface Card

Introduction

The PE0003 Interface Card provides a universal interface system for use with CML's evaluation kits, easing the product evaluation process and assisting the end product development process.

The PE0003 supersedes the PE0002 and is backward compatible with existing scripts.

Brief Description

Based around the NXP ARM microprocessor LPC4330 and using a PC GUI, the information generated is formatted, timed and delivered to the target IC via selected C-BUS serial interfaces or a host port. The supplied control software can be used to perform C-BUS read and write operations, read or write sample data or run scripting functions.

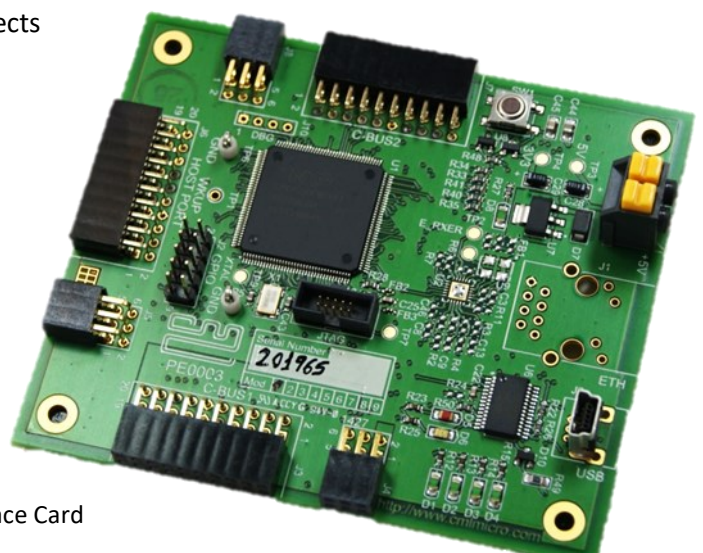
In the case of *FirmASIC*[®] based product evaluation, Function Images can be stored on the PE0003 micro SD card (if fitted).

Communication between the PC and the PE0003 is via high-speed USB 2.0.

The PE0003 provides an environment for C code development and evaluation using NXP's tool chain, LPCXpresso and JTAG. A set of proven C libraries can be downloaded in the PE0003 Support Package to assist with application development.

Key Features

- Global interface for new generation IC evaluation kits
- Target IC C-BUS read and write operations
- 32-Bit Dual core ARM Microprocessor Cortex-M4/Cortex-M0
- Mating interface for wide range of CML evaluation kits
- Micro SD Card to store Function Images and bulk data
- PC GUI and hardware provided
- Function Image handling for *FirmASIC*[®] based projects
- High-speed real-time script execution
- PC control/communications via USB
- Software configurable GPIO lines and LED bank
- C Library for fast C development
- JTAG port for debugging C applications
- Script reference manual
- Small 80mm x 93mm PCB



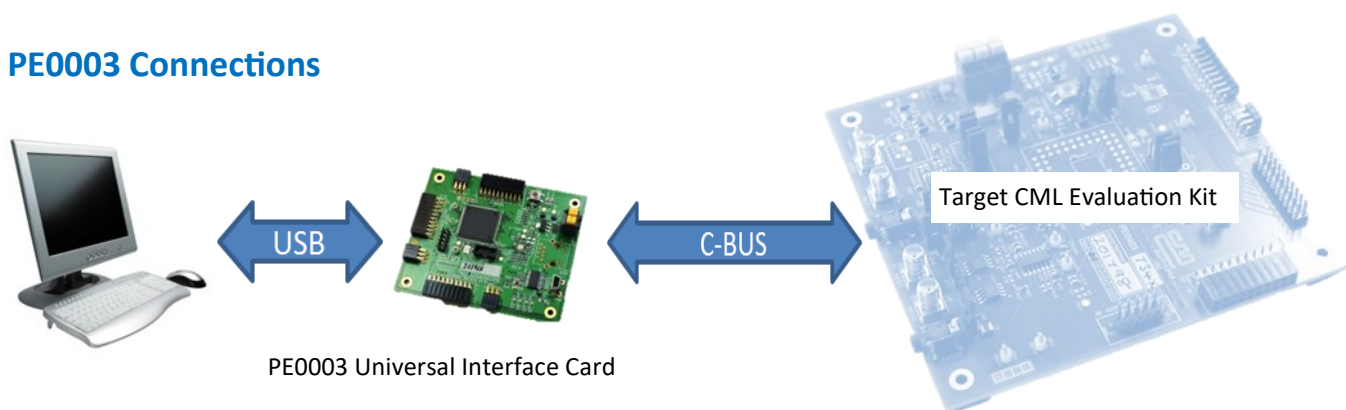
PE0003 Universal Interface Card

Resources

For further information and PE0003 resources please visit the CML Website: www.cmlmicro.com

- User manual
- Schematic drawings
- PC executable and driver files
- Script language reference manual
- Data format conversion programme
- Script examples

PE0003 Connections





Click here to view the online

**PRODUCT
DATA RESOURCE**

FirmASIC and Function Image are trademarks of CML Microsystems Plc.



CML's proprietary *FirmASIC* component technology reduces cost, time to market and development risk, with increased flexibility for the designer and end application. *FirmASIC* combines Analogue, Digital, Firmware and Memory technologies in a single silicon platform that can be focused to deliver the right feature mix, performance and price for a target application family. Specific functions of a *FirmASIC* device are determined by uploading its Function Image™ during device initialization. New Function Images™ may be later provided to supplement and enhance device functions, expanding or modifying end-product features without the need for expensive and time-consuming design changes. *FirmASIC* devices provide significant time to market and commercial benefits over Custom ASIC, Structured ASIC, FPGA and DSP solutions. They may also be exclusively customised where security or intellectual property issues prevent the use of Application Specific Standard Products (ASSP's).

	 CML Microcircuits (UK) Ltd COMMUNICATION SEMICONDUCTORS	 CML Microcircuits (USA) Inc. COMMUNICATION SEMICONDUCTORS	 CML Microcircuits (Singapore) Pte Ltd COMMUNICATION SEMICONDUCTORS
Phone:	+44 (0) 1621 875500	+1 336 744 5050 800 638 5577	+65 62 888129
Fax:	+44 (0) 1621 875600	+1 336 744 5054	+65 62 888230
Email Sales:	Sales@cmlmicro.com	us.sales@cmlmicro.com	sg.sales@cmlmicro.com
Email Tech Support:	techsupport@cmlmicro.com	us.techsupport@cmlmicro.com	sg.techsupport@cmlmicro.com
www.cmlmicro.com		Search for: cmlmicro	