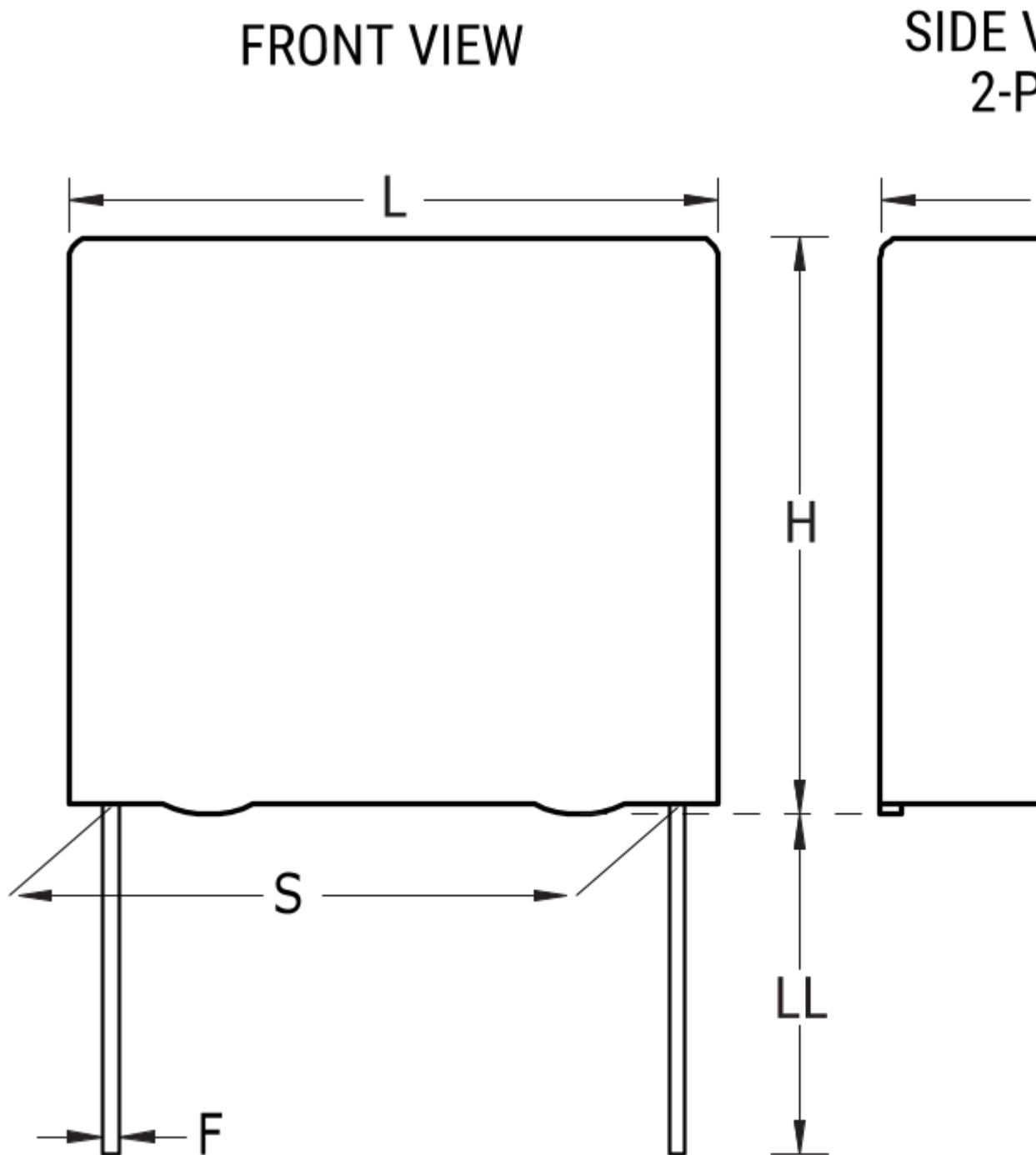


C4ASMBU3220A3BJ

C4AS, Film, Metallized Polypropylene, Power, 0.22 uF, 5%, 500 VAC, 850 VDC, 70°C, Lead Spacing = 27.5mm



Click [here](#) for the 3D model.

Dimensions

- L 32mm -0.7mm
- H 22mm -0.7mm
- T 13mm -0.7mm
- S 27.5mm +/-0.4mm

Dimensions

LL 6mm -2mm

F 1.2mm NOM

Packaging Specifications

Packaging Bulk, Bag

Packaging Quantity 234

General Information

Series C4AS

Dielectric Metallized Polypropylene

Style Radial

RoHS Yes

Lead Wire Leads

AEC-Q200 No

Component Weight 16.58 g

Specifications

Capacitance 0.22 uF

Capacitance Tolerance 5%

Voltage AC 500 VAC

Voltage DC 850 VDC

Temperature Range -40/+85°C

Rated Temperature 70°C

Dissipation Factor 0.05%

Max dV/dt 1232 V/us

Resistance 9.5 mOhms (100kHz)

Ripple Current 10 Amps (100kHz 70C), 271 Amps (Peak)

Statements of suitability for certain applications are based on our knowledge of typical operating conditions for such applications, but are not intended to constitute - and we specifically disclaim - any warranty concerning suitability for a specific customer application or use. This Information is intended for use only by customers who have the requisite experience and capability to determine the correct products for their application. Any technical advice inferred from this Information or otherwise provided by us with reference to the use of our products is given gratis, and we assume no obligation or liability for the advice given or results obtained.

Generated 5/18/2023 - e7f97f5d-733a-4d58-8fbd-30fd4650fc9c

© 2006 - 2023 KEMET

Generated 5/18/2023 - e7f97f5d-733a-4d58-8fbd-30fd4650fc9c

© 2006 - 2023 KEMET