

Type ANT Automotive Blade Fuse Tiny (Micro2)



www.optifuse.com (619) 593-5050

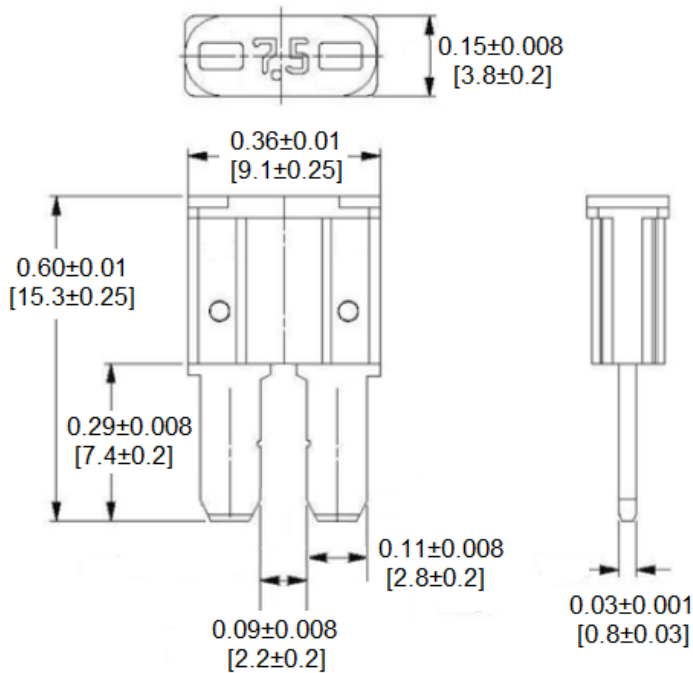
Specifications:

- Voltage: 32V DC
- Amperage: 5A, 7.5A, 10A, 15A, 20A, 25A, 30A
- Body: PA 66
- Terminals: Zinc Alloy
- Interrupting Rating: 1000A @ 32 VDC

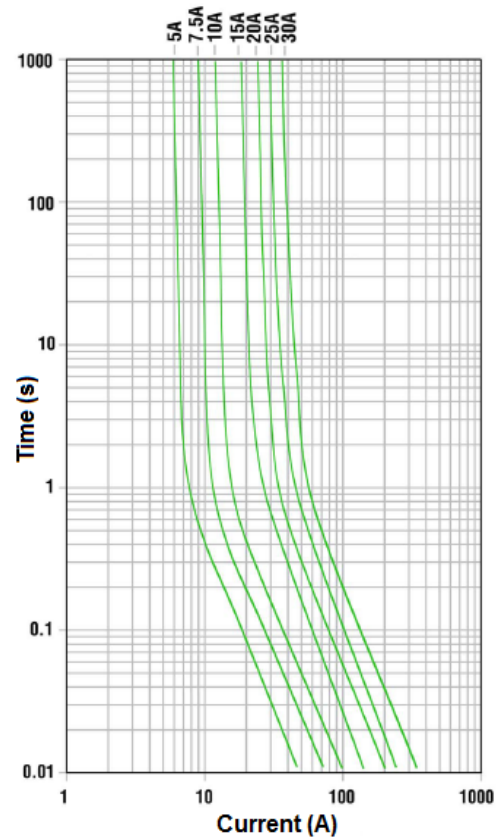
Part Number	Amperage	Body Color
ANT-5A	5A	Tan
ANT-7.5A	7.5A	Brown
ANT-10A	10A	Red
ANT-15A	15A	Blue
ANT-20A	20A	Yellow
ANT-25A	25A	Clear
ANT-30A	30A	Green

Time Characteristics:		
% of Rated Current	Min Hold Time	Max Hold Time
110%	100h	
135%	750ms	120s
160%	300ms	50s
200%	150ms	5s
350%	40ms	500ms

Mechanical Dimensions: Inches [mm]



Time Characteristics



Warning:



- Operation beyond the specified maximum ratings or improper use may result in damage and possible electrical arcing and/or flame.
- Avoid contact of device with chemical solvent. Prolonged contact will damage the device performance.