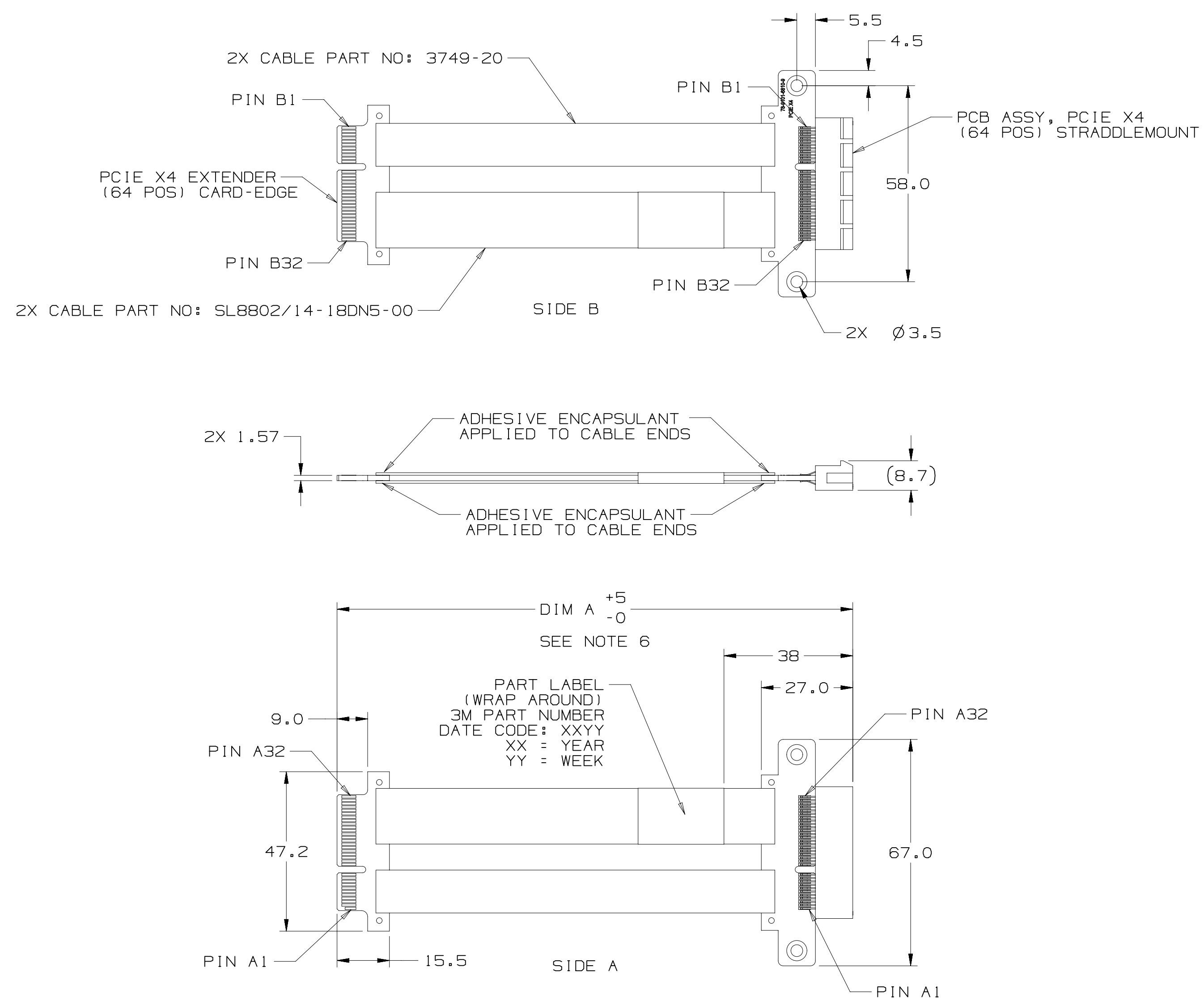


# 3M™ TWIN AXIAL CABLE ASSEMBLY FOR PCIe X4 EXTENDER CARD APPLICATIONS



- NOTES**
- DIMENSIONS ARE IN MILLIMETERS.
  - 3M™ RIBBON TWINAX DESCRIPTION:  
30 AWG, SILVER PLATED SIGNAL WIRE  
IMPEDANCE: 85 ±5 OHM  
OVERALL RIBBON WIDTH: 24.90 MM  
OVERALL RIBBON THICKNESS: 0.75 MM
  - ROHS COMPLIANT. SEE REGULATORY INFORMATION APPENDIX IN "ROHS COMPLIANCE" SECTION AT WWW.3MCONNECTORS.COM (E1 & C1 APPLY)
  - THIS CABLE CONSTRUCTION HAS A THIN ALUMINUM INNER LAYER EXPOSED AT EACH EDGE. USERS SHOULD ASSESS WHETHER THE EXPOSED EDGE PRESENTS A SHORTING RISK IN THEIR SPECIFIC APPLICATION. INSULATING TAPE MAY BE APPLIED AT THE CABLE ASSEMBLY LEVEL, AS NEEDED, TO COVER THE EXPOSED EDGE IN RISK AREAS.
  - APPLICABLE SPECIFICATIONS:  
PRODUCT SPECIFICATION NUMBER:  
TWIN AX CABLE: PS-0106  
CABLE ASSEMBLY: PS-0137
  - ORDER BY APPLICABLE 3M PART NUMBER: 8KJ1-0727-XXXX  
XXXX = DIM 'A' IN MILLIMETERS (1000 = 1 METER)  
  
STANDARD LENGTH (DIM 'A')  
8KJ1-0727-0250 (250 MM)  
8KJ1-0727-0500 (500 MM)  
  
NON-STANDARD LENGTHS AVAILABLE UPON SPECIAL REQUEST. MAY REQUIRE HIGHER MOQS AND LONGER LEAD TIMES. 150 MM MINIMUM LENGTH.
  - FLAMMABILITY RATING:  
TWIN AX CABLE: UL94 HB  
PCBS: UL94V-0  
ADHESIVE STRAIN RELIEF: UL94 HB, (TBV)
  - PADDLECARD FINGER GOLD THICKNESS: 0.76 µm (30 µ" ) MIN ELECTROLYTIC HARD GOLD OVER 1.27 µm (50 µ" ) MIN ELECTROLYTIC NICKEL.

BILL OF MATERIALS			
ITEM	DESCRIPTION	QTY	
1.0	PBA PCB ASSY, PADDLECARD, PCIe X4	1	
1.1	PCB PCIe X4 (64 POS) STRADDLEMOUNT 3M P/N: 78-9101-6810-9	1	
1.2	CONN CONNECTOR, PCIe 64 POSITION, FEMALE SOCKET	1	
2.0	PCB PCIe X4 EXTENDER (64 POS) CARD-EDGE 3M P/N: 78-9101-6809-1	1	
3.0	CABLE RIBBON TWIN AX CABLE 3M P/N: SL8802/14-18DN5-00	2	
4.0	CABLE RIBBON CABLE, 20 POSITION 3M P/N: 3749-20	2	
5.0	STRAIN RELIEF ADHESIVE	AS REQUIRED	

DESIGN REFERENCE	NEXT ASSEMBLY	REV	ECO	ISSUE DATE AND DESCRIPTION	DRFT	CHKD
DATE	DATE	DATE	DATE	DATE	DATE	DATE
CHKD	DATE	APPL	DATE			
DIVISION		DIVISION CODE				
DO NOT SCALE DRAWING	SCALE 1/1	TOLERANCES EXCEPT AS NOTED		© 3M COPYRIGHT 2018 This document and the information it contains are 3M property and may not be reproduced or further distributed without 3M permission, or used or disclosed other than for 3M authorized purposes. All rights reserved.		
THIRD ANGLE PROJECTION	INTERPRET PER ASME Y14.5 - 2009	MILLIMETERS 0 ± 1		TITLE 8KJ1-0727-XXXX, CABLE ASSY, PCIe X4 BY PCIe X4 EXTENDER		
MAX SURFACE ROUGHNESS 125	ALL SURFACES MARKED ONLY	INCHES .00 ± .0000		CAGE NUMBER D78-5100-2521-2		
		ANGLES ± 1°		DRAWING NO. 78-5100-2521-2		
				REV. C		
				MODEL DET. YES NO SHT 1 OF 3		

3M ELECTRONICS MATERIALS SOLUTIONS  
DIVISION  
INTERCONNECT SOLUTIONS  
<http://www.3mconnectors.com>  
  
3M IS A TRADEMARK OF 3M COMPANY.  
FOR TECHNICAL, SALES OR ORDERING  
INFORMATION CALL 800-225-5373

78-5100-2521-2  
 DRAWING NUMBER  
 C  
 REVISION  
 B  
 A  
 Standard Time 1/3/2018 UTC OffSet

3M 3749-20 Cable	
Wire #	Pin Attachment #
01	Ground Layer
02	B01 - B02
03	B01 - B02
04	B01 - B02
05	B01 - B02
06	B01 - B02
07	B01 - B02
08	Ground Layer
09	B05
10	B06
11	Ground Layer
12	B08
13	B08
14	B09
15	B10
16	B10
17	Ground Layer
18	B11
19	Ground Layer
20	B12

3M SL8802 Cable	
Wire #	Pin Attachment #
GND	Ground Layer
pr_01	B14
pr_01	B15
pr_02	B17
pr_02	Ground Layer
pr_03	B19
pr_03	B20
pr_04	B23
pr_04	B24
GND	Ground Layer
pr_05	B27
pr_05	B28
pr_06	Ground Layer
pr_06	Ground Layer
pr_07	B30
pr_07	B31
GND	Ground Layer

PCI-Express X4 Pin-Out			
Pin #	Side B Description	Side A Description	Pin #
B01	+12 volt power	Hot plug presence detect	A01
B02	+12 volt power	+12 volt power	A02
B03	+12 volt power	+12 volt power	A03
B04	Ground	Ground	A04
B05	SMBus clock	TCK	A05
B06	SMBus data	TD1	A06
B07	Ground	TD0	A07
B08	+3.3 volt power	TMS	A08
B09	+TRST#	+3.3 volt power	A09
B10	3.3v volt power	+3.3 volt power	A10
B11	Link Reactivation	Power Good	A11
Mechanical Key			
B12	Reserved	Ground	A12
B13	Ground	Reference Clock	A13
B14	Transmitter Lane 0,	Differential pair	A14
B15	Differential pair	Ground	A15
B16	Ground	Receiver Lane 0,	A16
B17	Hotplug detect	Differential pair	A17
B18	Ground	Ground	A18
B19	Transmitter Lane 1,	Reserved	A19
B20	Differential pair	Ground	A20
B21	Ground	Receiver Lane 1,	A21
B22	Ground	Differential pair	A22
B23	Transmitter Lane 2,	Ground	A23
B24	Differential pair	Ground	A24
B25	Ground	Receiver Lane 2,	A25
B26	Ground	Differential pair	A26
B27	Transmitter Lane 3,	Ground	A27
B28	Differential pair	Ground	A28
B29	Ground	Receiver Lane 3,	A29
B30	Reserved	Differential pair	A30
B31	Hot plug detect	Ground	A31
B32	Ground	Reserved	A32

3M 3749-20 Cable	
Pin Attachment #	Wire #
Ground Layer	01
A01	02
Ground Layer	03
A02 - A03	04
A02 - A03	05
A02 - A03	06
A02 - A03	07
Ground Layer	08
A05	09
A06	10
A07	11
A08	12
Ground Layer	13
A09 - A10	14
A09 - A10	15
A09 - A10	16
A09 - A10	17
Ground Layer	18
Ground Layer	19
A11	20

3M SL8802 Cable	
Pin Attachment #	Wire #
Ground Layer	GND
A13	pr_01
A14	pr_01
A16	pr_02
A17	pr_02
Ground Layer	pr_03
A19	pr_03
A21	pr_04
A22	pr_04
Ground Layer	GND
A25	pr_05
A26	pr_05
A29	pr_06
A30	pr_06
A32	pr_07
Ground Layer	pr_07
Ground Layer	GND

THIS IS A FEED THROUGH ASSEMBLY. THE PIN ASSIGNMENTS REMAIN THE SAME ON BOTH ENDS.

C	77066	DEC 20, 2017	AD	LS
ADDED URL AND TRADEMARK NOTES SH1, ZONE A8; ADDED SH3, WARRANTY INFO NOTES; ADDED NOTE TO CLARIFY PINOUTS, SH2, ZONE A2,3				
B	42467	AUG 06, 2012	LDS	TS
REVISED NOTE 6				
A	40795	JUN 18, 2012	LDS	TS
INITIAL RELEASE				

DESIGN REFERENCE	NEXT ASSEMBLY	REV	ECO	ISSUE DATE AND DESCRIPTION	DRFT	CHKD
		DRP		DATE		DATE
		CHKD		DATE	APPLY	DATE
DIVISION		DIVISION CODE				
DO NOT SCALE DRAWING	SCALE 1/1	TOLERANCES EXCEPT AS NOTED				
THIRD ANGLE PROJECTION		INCHES				
INTERPRET PER ASME Y14.5 - 2009		MILLIMETERS				
MAX SURFACE ROUGHNESS 125		ANGLES ±1°				
ALL SURFACES MARKED ONLY		TITLE				
		8KJ1-0727-XXXX, CABLE ASSY, PCIE X4 BY PCIE X4 EXTENDER				
		CAGE NUMBER D78-5100-2521-2				
		DRAWING NO. C				
		REV. SHT 2 OF 3				

Imaged: C.2 Central Standard Time 1/3/2018 UTC OffSet

Regulatory: For regulatory information about this product, visit 3M.com/regs or contact your 3M representative.


Technical Information: The technical information, recommendations and other statements contained in this document are based upon tests or experience that 3M believes are reliable, but the accuracy or completeness of such information is not guaranteed.

Product Use: Many factors beyond 3M's control and uniquely within user's control can affect the use and performance of a 3M product in a particular application. Given the variety of factors that can affect the use and performance of a 3M product, user is solely responsible for evaluating the 3M product and determining whether it is fit for a particular purpose and suitable for user's method of application.

Warranty, Limited Remedy, and Disclaimer: Unless an additional warranty is specifically stated on the applicable 3M product packaging or product literature, 3M warrants that each 3M product meets the applicable 3M product specification at the time 3M ships the product. 3M MAKES NO OTHER WARRANTIES OR CONDITIONS, EXPRESS OR IMPLIED, INCLUDING, BUT NOT LIMITED TO, ANY IMPLIED WARRANTY OR CONDITION OF MERCHANTABILITY OR FITNESS FOR A PARTICULAR PURPOSE OR ANY IMPLIED WARRANTY OR CONDITION ARISING OUT OF A COURSE OF DEALING, CUSTOM OR USAGE OR TRADE. If the 3M product does not conform to this warranty, then the sole and exclusive remedy is, at 3M's option, replacement of the 3M product or refund of the purchase price.

Limitation of Liability: Except where prohibited by law, 3M will not be liable for any loss or damage arising from the 3M product, whether direct, indirect, special, incidental or consequential, regardless of the legal theory asserted, including warranty, contract, negligence or strict liability.

3M Electronics Materials Solutions Division  
 6801 River Place Blvd.  
 Austin, TX 78726-9000  
 1-800-225-5373  
 www.3M.com/interconnect

DESIGN REFERENCE	NEXT ASSEMBLY	REV	ECO	ISSUE DATE AND DESCRIPTION	DRFT	CHKD
DO NOT SCALE DRAWING	SCALE 1/1	TOLERANCES EXCEPT AS NOTED	 © 3M COPYRIGHT 2018 This document and the information it contains are 3M property and may not be reproduced or further distributed without 3M permission, or used or disclosed other than for 3M authorized purposes. All rights reserved.			
THIRD ANGLE PROJECTION	INTERPRET PER ASME Y14.5 - 2009	MILLIMETERS 0 ± 1	TITLE <b>8KJ1-0727-XXXX, CABLE ASSY, PCIE X4 BY PCIE X4 EXTENDER</b>			
MAX SURFACE ROUGHNESS 125	<input type="checkbox"/> ALL SURFACES <input checked="" type="checkbox"/> MARKED ONLY	INCHES .00 ± .005	CAGE NUMBER	SIZE	DRAWING NO.	REV.
		ANGLES ± 1°	<b>D</b>	<b>78-5100-2521-2</b>	<b>C</b>	
			MODEL	DET	YES <input type="checkbox"/> NO <input checked="" type="checkbox"/>	SHT 3 OF 3

78-5100-2521-2 DRAWING NUMBER  
 C REVISION  
 A Standard Time 1/3/2018 UTC OffSet