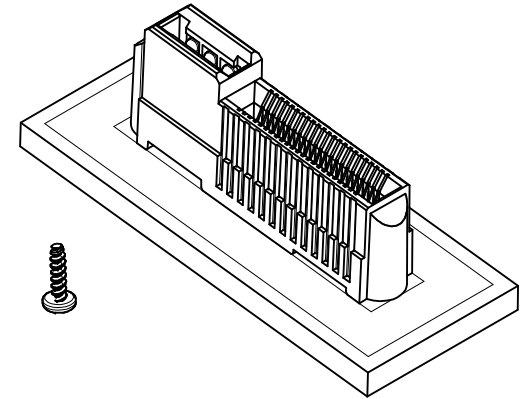
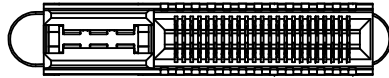
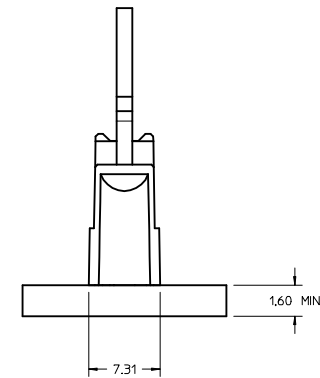
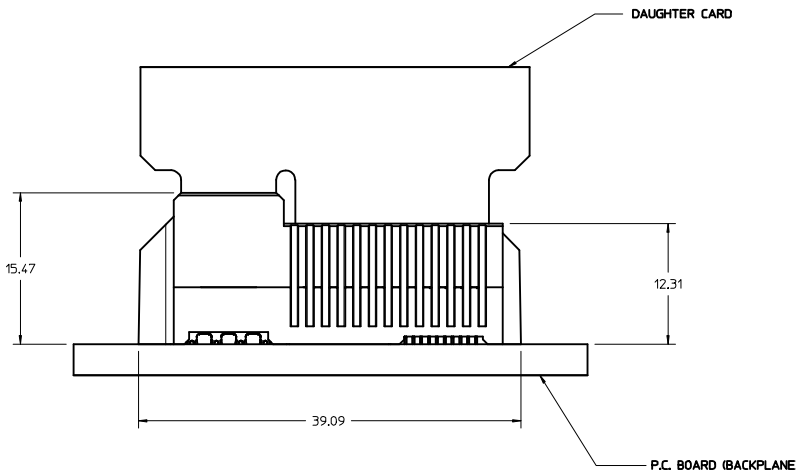


# P.C. BOARD MOUNTING

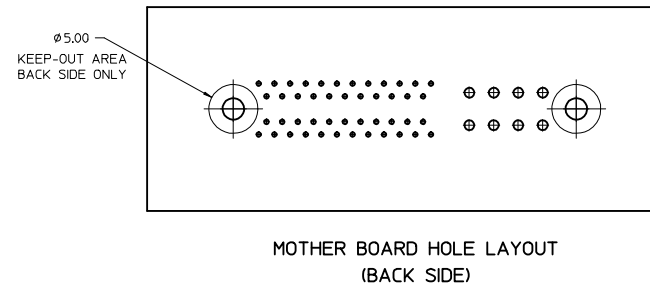
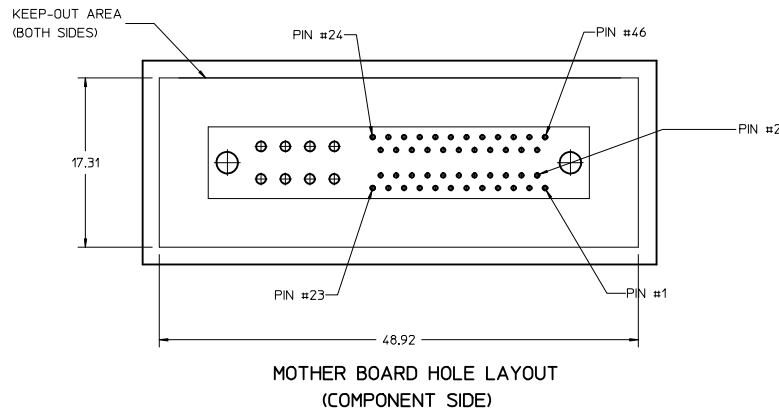
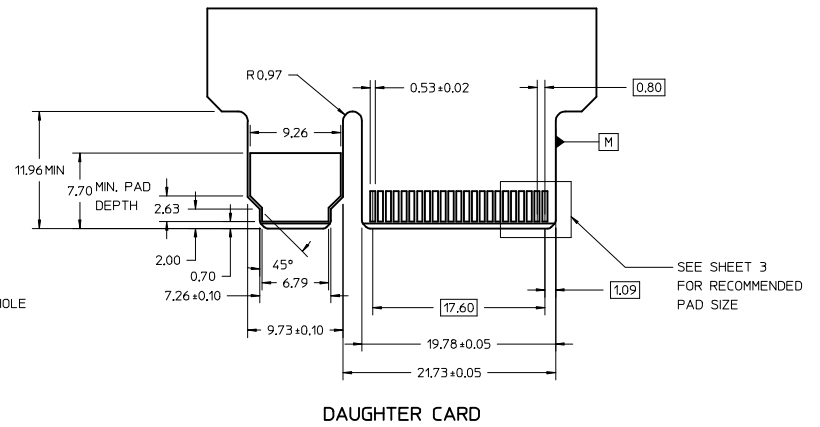
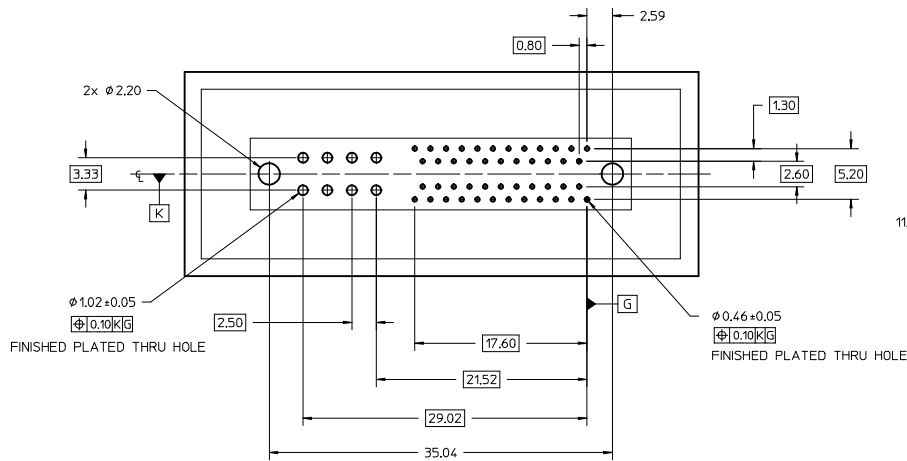


M1.8x8  
 THREAD-FORMING SCREW  
 SUGGESTED SOURCE:  
 ACUMENT  
 6125 EIGHTEEN MILE ROAD  
 STERLING HEIGHTS, MICHIGAN 48314  
 TEL.: 1.800.544.6117  
 P/N: 3BTP8567-00  
 (NOT SUPPLIED BY MOLEX)



- NOTES:
- MATERIAL:  
 HOUSING - GLASS FILLED THERMOPLASTIC, 94-V0, BLACK  
 TERMINALS - COPPER ALLOY
  - FINISH:  
 CONTACT AREA: HARD GOLD -0.76µm MIN OVER 3.80µm NICKEL  
 COMPLIANT AREA: TIN - 0.76/152µm OVER NICKEL
  - REFER TO PS-76861-100 PRODUCT SPECIFICATION FOR ALL ELECTRICAL, MECHANICAL AND ENVIRONMENTAL SPECIFICATIONS.
  - REFER TO PK-76861-900 FOR ALL PACKAGING SPECIFICATIONS.
  - PROCESSING: PRESSFIT TO PC BOARD.
  - MATING PC BOARD THICKNESS = 1.60±0.16MM OVER CONTACT PADS.
  - PRODUCT IS ELV AND RoHS COMPLIANT. LEVEL OF COMPLIANCE: 6/6  
 ALL BANNED SUBSTANCES ARE REMOVED:  
 Pb (LEAD)  
 HEXAVALENT CHROMIUM (CrVI)  
 CADMIUM  
 MERCURY  
 POLYBROMINATED BIPHENYL (PBB)  
 POLYBROMINATED DIPHENYL ETHER (PBDE)
  - THIS PART CONFORMS TO CLASS B REQUIREMENTS OF COSMETIC SPEC PS-45499-002
  - MAXIMUM SCREW TORQUE FORCE 0.12Nm.

REMOVED SHEET 4 EIC NO: UCP2013-1207 2012/09/25 DRAWN BY: DROSCA CHYK: APPR: JCOMERCI 2012/11/16	QUALITY SYMBOLS	GENERAL TOLERANCES (UNLESS SPECIFIED)	DIMENSION STYLE	SCALE	DESIGN UNITS	THIRD ANGLE PROJECTION
	▽ - 0	mm INCH	MM ONLY	4:1	METRIC	☉
	▽ - 0	4 PLACES ± --- ± --- 3 PLACES ± --- ± --- 2 PLACES ± 0.13 ± --- 1 PLACE ± 0.25 ± ---	DRAWN BY DATE DROSCA 12/02/2008 CHECKED BY DATE JCOMERCI 12/02/2008 APPROVED BY DATE JCOMERCI 2009/08/04	TITLE	EDGELINE+LPH 12.5GB 0.062"PCB/0.8MM PITCH 46 CKTS	
	▽ - 0	DRAFT WHERE APPLICABLE MUST REMAIN WITHIN DIMENSIONS	MATERIAL NO. 76861-1000	DOCUMENT NO. SD-76861-100	MOLEX INCORPORATED SHEET NO. 1 OF 3	
THIS DRAWING CONTAINS INFORMATION THAT IS PROPRIETARY TO MOLEX INCORPORATED AND SHOULD NOT BE USED WITHOUT WRITTEN PERMISSION						



<b>SEE SHEET 1</b> IEC NO: UCP2013-1207 DRAWN: DROSCA 2012/09/25 CHKD: APPR: JCOMERCI 2012/11/16 REV:	QUALITY SYMBOLS	GENERAL TOLERANCES (UNLESS SPECIFIED)	DIMENSION STYLE	SCALE	DESIGN UNITS	THIRD ANGLE PROJECTION															
	$\nabla=0$ $\nabla=0$	<table border="1"> <thead> <tr> <th></th> <th>mm</th> <th>INCH</th> </tr> </thead> <tbody> <tr> <td>4 PLACES</td> <td>±---</td> <td>±---</td> </tr> <tr> <td>3 PLACES</td> <td>±---</td> <td>±---</td> </tr> <tr> <td>2 PLACES</td> <td>±0.13</td> <td>±---</td> </tr> <tr> <td>1 PLACE</td> <td>±0.25</td> <td>±---</td> </tr> </tbody> </table> ANGULAR ±1/2°		mm	INCH	4 PLACES	±---	±---	3 PLACES	±---	±---	2 PLACES	±0.13	±---	1 PLACE	±0.25	±---	MM ONLY DRAWN BY: DROSCA DATE: 12/02/2008 CHECKED BY: DATE: JCOMERCI 12/02/2008 APPROVED BY: DATE: JCOMERCI 2009/08/04	4:1	METRIC	
		mm	INCH																		
	4 PLACES	±---	±---																		
3 PLACES	±---	±---																			
2 PLACES	±0.13	±---																			
1 PLACE	±0.25	±---																			
DRAFT WHERE APPLICABLE MUST REMAIN WITHIN DIMENSIONS	MATERIAL NO: <b>SEE SHEET 1</b> SIZE: D	TITLE: <b>EDGELINE+LPH 12.5GB 0.062"PCB/0.8MM PITCH 46 CKTS</b> <b>MOLEX INCORPORATED</b>	DOCUMENT NO: <b>SD-76861-100</b>	SHEET NO: <b>2 OF 3</b>																	
THIS DRAWING CONTAINS INFORMATION THAT IS PROPRIETARY TO MOLEX INCORPORATED AND SHOULD NOT BE USED WITHOUT WRITTEN PERMISSION																					

