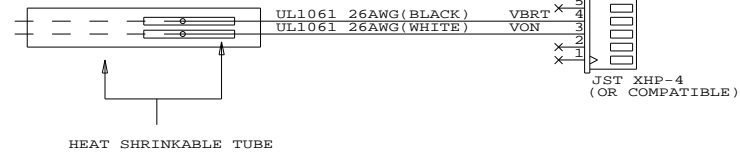
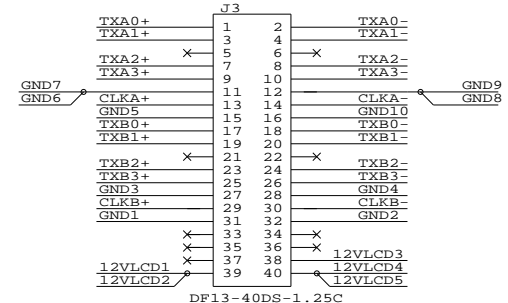
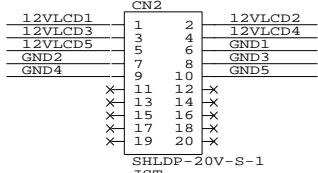
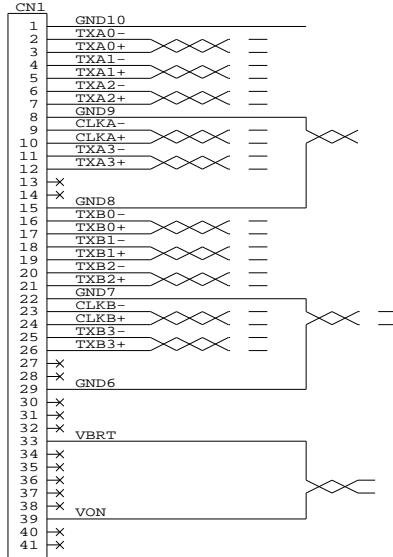
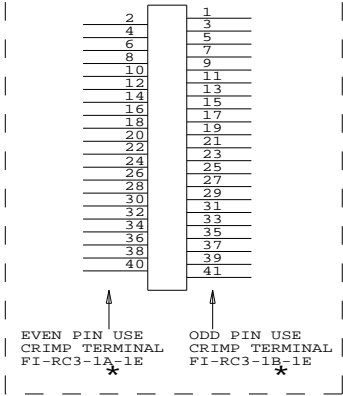


CONNECTION DIAGRAM:

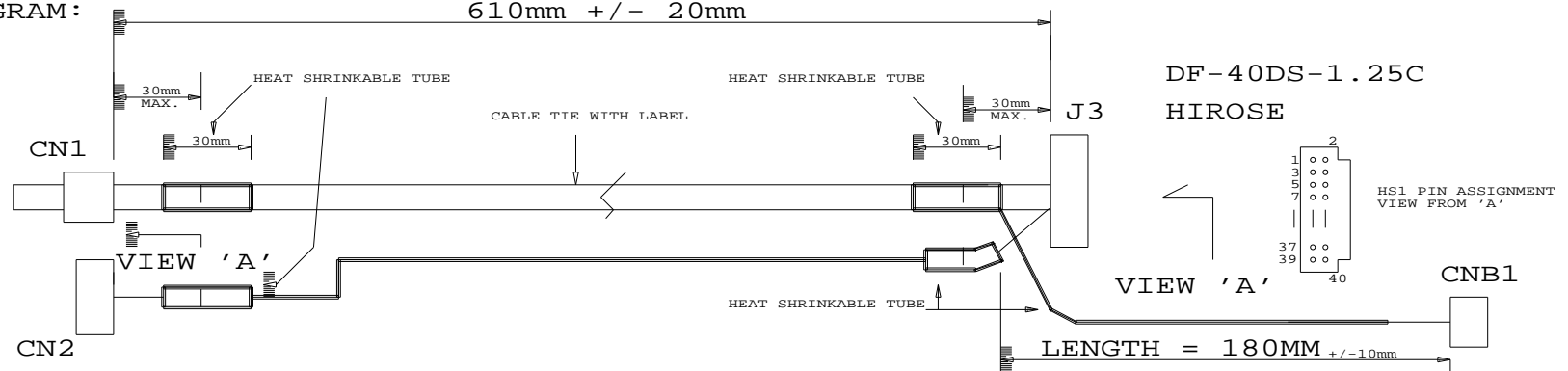
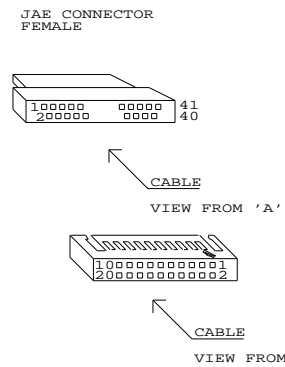
IMPORTANT NOTE:



CONTROLLER SIDE

CONSTRUCTION DIAGRAM:

610mm +/- 20mm



CABLE CN1: UL20276, 14 PAIRS, 30AWG, PVC BLACK  
 CABLE CN2: UL2464, 10WAY, 28AWG, PVC BLACK

USAGE: LVDS ROUND CABLE FOR SHARP LK645D3LZ1S (SVH-1920)

P/N 426494800-3  
 LVDS ROUND TWISTED PAIR CABLE: FOR SHARP LK645D3LZ1S

ROHS  
 COMPLIANCE

DIGITAL VIEW LTD. COPYRIGHT 2006, ALL RIGHTS RESERVED CONFIDENTIAL DRAWN BY: VICTOR NG	
Title	ROUND PAIRED CABLE: Lk645D3LZ1S
Size	Document Number
B	(...\DV\DV_CABLE\C6494800.SCH)
Date:	November 22, 2006
Sheet	1 of 1