

THIS DRAWING IS UNPUBLISHED.

RELEASED FOR PUBLICATION

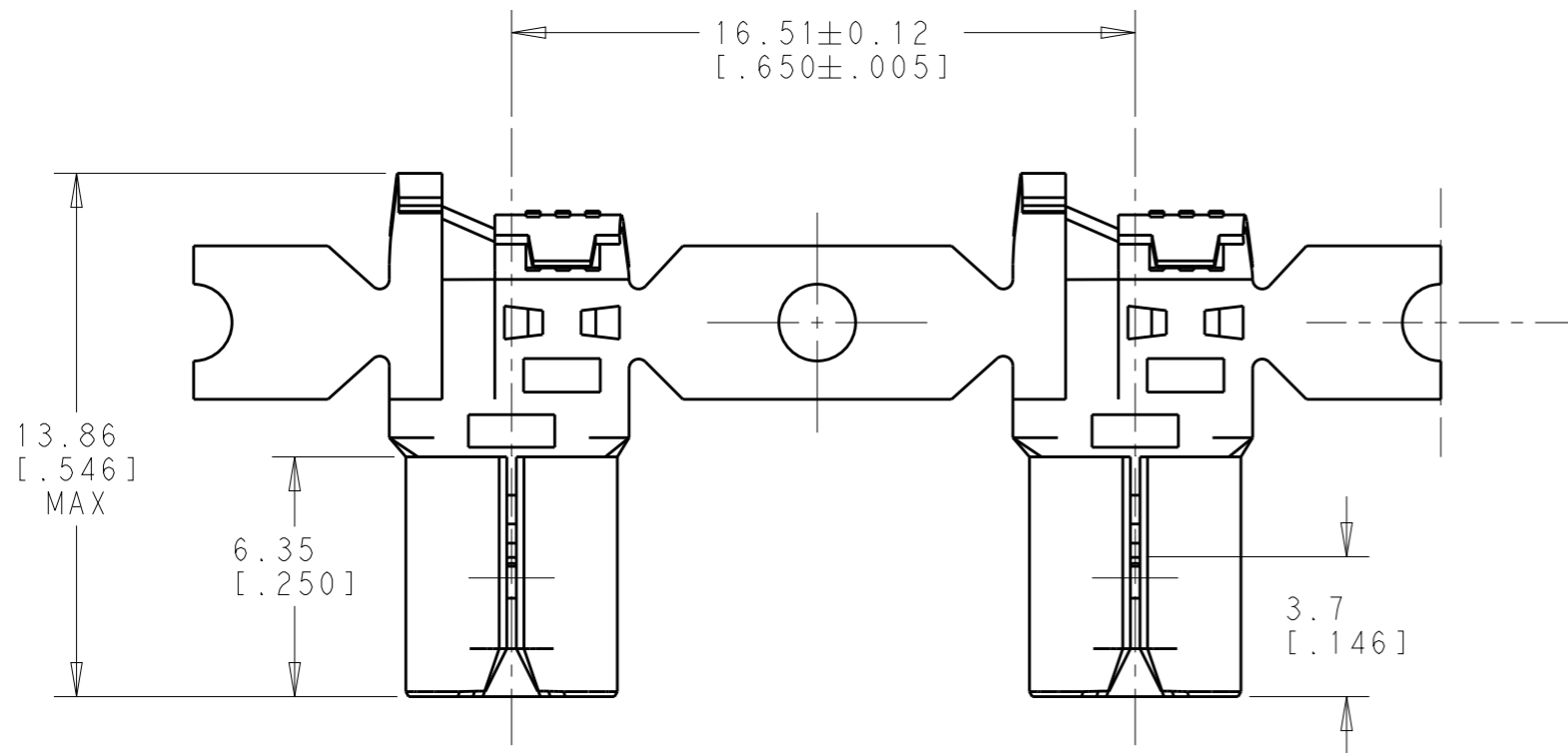
20

© COPYRIGHT 2018 BY - TE CONNECTIVITY

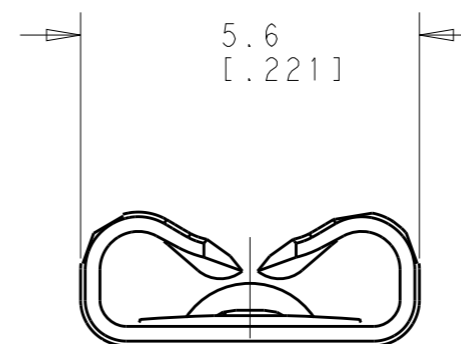
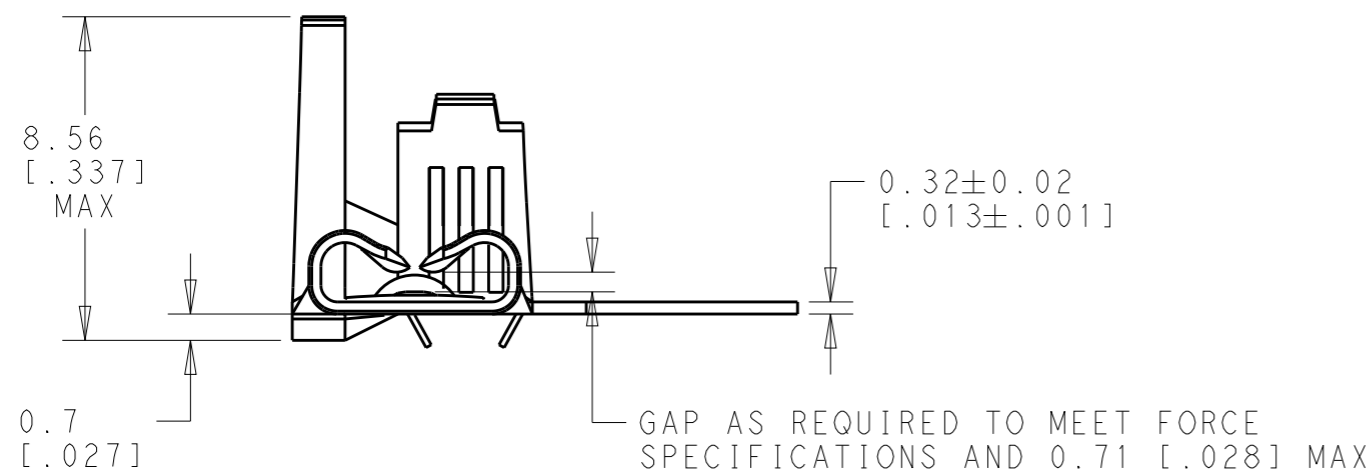
ALL RIGHTS RESERVED.

REVISIONS

P	LTR	DESCRIPTION	DATE	DWN	APVD
	A	RELEASED	15APR2018	RS	DH
	A1	REVISED PER ECR-20-009164	22JUL2020	MK	DH



- 1 CONTINUOUS STRIP ON REELS
- 2 WIRE SIZE #20-#16 AWG
- 3 INSULATION RANGE 2.79-4.32 [.110-.170] DIA
- 4 MATING TAB THK IS 0.84-0.76 [.033-.030]
- 5 UL APPROVAL FOR AWG 20-16
- 6 UL APPROVAL PENDING FOR AWG 20-16



SCALE 8:1

TIN	BRASS	2238200-3
FINISH	MATERIAL	PART NO.

THIS DRAWING IS A CONTROLLED DOCUMENT.		DWN 09JAN2018 BASVESH WARAD	TE TE Connectivity	
DIMENSIONS: mm[INCHES]		CHK 09JAN2018 HUMPHREY, DAVID		
TOLERANCES UNLESS OTHERWISE SPECIFIED:		APVD 09JAN2018 HUMPHREY, DAVID	NAME FASTON 187 STD REC RH FLAG TAB20-16 TPBR	
0 PLC ±-		PRODUCT SPEC	-	
1 PLC ±-		APPLICATION SPEC	-	
2 PLC ±0.25[.010]		WEIGHT	-	
3 PLC ±-		CUSTOMER DRAWING	-	
4 PLC ±-		SCALE	5:1	
ANGLES ±-		SHEET	1 OF 1	
MATERIAL SEE TABLE	FINISH SEE TABLE	SIZE	CAGE CODE	DRAWING NO
		A3	00779	2238200
		RESTRICTED TO	-	
		REV	A1	