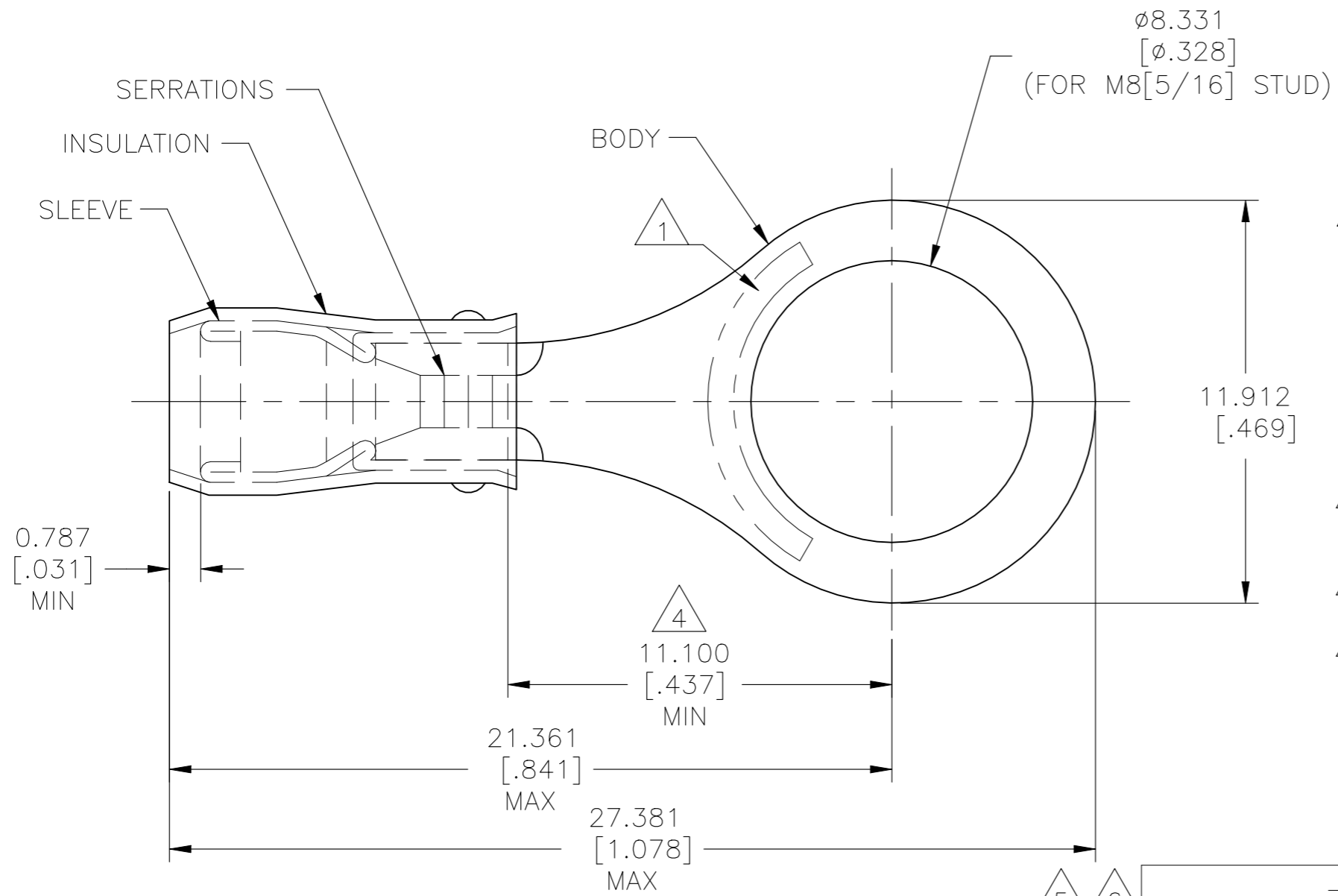


THIS DRAWING IS UNPUBLISHED. RELEASED FOR PUBLICATION
 © COPYRIGHT - By - ALL RIGHTS RESERVED.

| REVISIONS | | | | |
|-----------|-----|---------------------------|-----------|--------|
| P | LTR | DESCRIPTION | DATE | APVD |
| | AB4 | REVISED PER ECN-22-156403 | 03JUN2022 | RK CSD |

| | | |
|--------------------------------|---------------------------|--------------------------------|
| AMP WIRE RANGE | 5 E13288 Listed | 6 LR7189 Certified |
| 22-16 AWG SOLID OR STRANDED | 22-16 AWG STRANDED | 22-16 AWG SOLID OR STRANDED |



- 1** STAMP AMP 22-18* APPROX AS SHOWN
22-16 TERMINALS ARE STAMPED 22-18 IN
ACCORDANCE WITH MILITARY SPEC SAE AS7928
COMMERCIAL WIRE RANGE IS 22-16.
- 2** WIRE INSULATION : $\phi 2.032-3.175[\phi .080-.125]$.
- 3** BODY MATERIAL THK: $0.787\pm 0.051[.031\pm .002]$.
- 4** APPLIES FROM EDGE OF METAL WIRE BARREL
TO CENTER OF STUD HOLE.
- 5** UL LISTED
- 6** CSA CERTIFIED


| | | | | |
|-------------------|------------------------|----------|---------------|------------|
| 5 6 | - | 5000 | ON TAPE, REEL | 2-320572-1 |
| 5 6 | MS25036-104 CLASS 1 | 1000 | LOOSE PIECE | 320572 |
| | MILITARY P/N AND CLASS | QUANTITY | PACKAGE TYPE | PART NO |

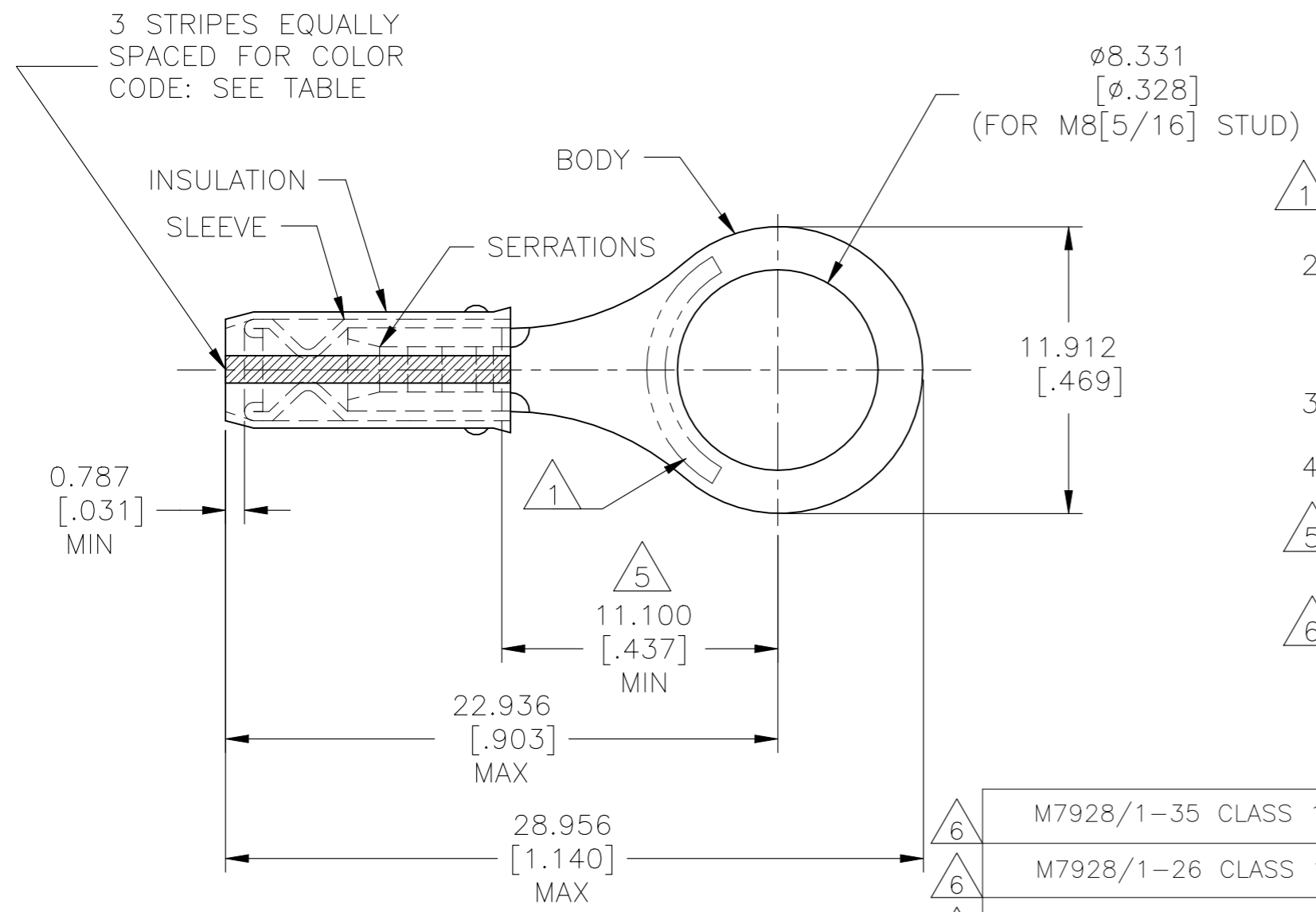
| | | |
|---|--|--|
| AMP INCORPORATED CUSTOMER SERVICE SYSTEMS | | MAX RECOMMENDED OPERATING TEMPERATURE: 105°C[221°F] MAX |
| FOR ADDITIONAL PRODUCT INFORMATION OR COPIES OF DRAWINGS AND TECHNICAL DOCUMENTS | PRODUCT INFORMATION CENTER 1-800-522-6752 | VOLTAGE RATING: 300 V MAX |
| FOR APPLICATION TOOLING INFORMATION | TOOLING ASSISTANCE CENTER 1-800-722-1111 | CIRCULAR MIL AREA: 0.26-1.65mm ² [509-3,260] CIR MILS SOLID OR STRANDED |
| FOR ORDER ENTRY | 1-800-526-5142 | THIS DRAWING IS A CONTROLLED DOCUMENT FOR AMP INCORPORATED. IT IS SUBJECT TO CHANGE AND THE CONTROLLING ENGINEERING ORGANIZATION SHOULD BE CONTACTED FOR THE LATEST REVISION. |

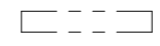
| | | | | |
|---|--|-------------------------------------|---|--------------------|
| THIS DRAWING IS A CONTROLLED DOCUMENT. | | DWN DK SCHRUM 9/8/93 | TE Connectivity | |
| DIMENSIONS: mm [INCHES] | | CHK RE HERSEY 9/8/93 | | |
| TOLERANCES UNLESS OTHERWISE SPECIFIED: | | APVD ML ELLIS 9/8/93 | NAME TERMINAL, RING TONGUE, PIDG™, WIRE SIZE, 22-16 AWG | |
| 0 PLC ± - 1 PLC ± - 2 PLC ± - 3 PLC ± 0.127[.005] 4 PLC ± - ANGLES ± - | | PRODUCT SPEC UL 486 A-B 5 | RESTRICTED TO | |
| MATERIAL BODY & SLEEVE COPPER PER ASTM B-152 INSULATION: NYLON | | APPLICATION SPEC 114-2157 | SIZE A3 | CAGE CODE 00779 |
| FINISH BODY & SLEEVE TIN PLATE PER ASTM B 545 INSULATION: COLOR-RED | | WEIGHT - | DRAWING NO C-320572 | SCALE 6:1 |
| CUSTOMER DRAWING | | SHEET 1 OF 2 | | REV AB4 |

THIS DRAWING IS UNPUBLISHED. RELEASED FOR PUBLICATION
 © COPYRIGHT - By - ALL RIGHTS RESERVED.


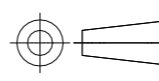
| REVISIONS | | | | | |
|-----------|-----|-------------|------|-----|------|
| P | LTR | DESCRIPTION | DATE | DWN | APVD |
| - | - | SEE SHEET 1 | - | - | - |

| | |
|--------------------------|---|
| AMP WIRE RANGE |  LR7189 Certified |
| SEE TABLE STRANDED | WIRE SIZE PER TABLE STRANDED |



- 1 STAMP AMP  APPROX AS SHOWN SEE TABLE BELOW.
- 2 WIRE INSULATION : $\phi 0.965-2.794[\phi 0.038-.110]$ FOR 22 AWG
 $\phi 1.168-2.794[\phi 0.046-.110]$ FOR 20 AWG
 $\phi 1.422-2.794[\phi 0.056-.110]$ FOR 18 AWG.
- 3 BODY MATERIAL THK: $0.787 \pm 0.051[.031 \pm .002]$.
- 4 NOTE DELETED.
- 5 APPLIES FROM EDGE OF METAL WIRE BARREL TO CENTER OF STUD HOLE.
- 6 CSA CERTIFIED

| | | | | | | | |
|---|------------------------|--------------|-------------------|-----------|----------|--------------|------------|
| 6 | M7928/1-35 CLASS 1 | WHITE | 18* | 18 | 1000 | LOOSE PIECE | 2-320572-4 |
| 6 | M7928/1-26 CLASS 1 | RED | 20* | 20 | 1000 | LOOSE PIECE | 2-320572-3 |
| 6 | M7928/1-17 CLASS 1 | GREEN | 22* | 22 | 1000 | LOOSE PIECE | 2-320572-2 |
| | MILITARY P/N AND CLASS | STRIPE COLOR | Δ STAMPING | WIRE SIZE | QUANTITY | PACKAGE TYPE | PART NO |

| | | | | | | | | | | |
|--|--|---|---|---|------------------------------|---|-------|-----------|---|---------------|
| AMP INCORPORATED CUSTOMER SERVICE SYSTEMS | | MAX RECOMMENDED OPERATING TEMPERATURE: 105°C[221°F] MAX | THIS DRAWING IS A CONTROLLED DOCUMENT. | | DWN DK SCHRUM 9/8/93 |  TE Connectivity | | | | |
| FOR ADDITIONAL PRODUCT INFORMATION OR COPIES OF DRAWINGS AND TECHNICAL DOCUMENTS | PRODUCT INFORMATION CENTER 1-800-522-6752 | VOLTAGE RATING: 300 V MAX | DIMENSIONS: mm [INCHES] | TOLERANCES UNLESS OTHERWISE SPECIFIED: | CHK RE HERSEY 9/8/93 | | | | NAME TERMINAL, RING TONGUE, I.R., PIDG , WIRE SIZE: 22, 20 & 18 AWG | |
| FOR APPLICATION TOOLING INFORMATION | TOOLING ASSISTANCE CENTER 1-800-722-1111 | WIRE RANGE: CIRC MIL AREA 22 0.38mm ² [754] 20 0.60mm ² [1,186] 18 0.96mm ² [1,900] STRANDED |  | 0 PLC ± - 1 PLC ± - 2 PLC ± - 3 PLC ± 0.127[.005] 4 PLC ± - ANGLES ± - | APVD ML ELLIS 9/8/93 | PRODUCT SPEC | SIZE | CAGE CODE | DRAWING NO | RESTRICTED TO |
| FOR ORDER ENTRY | 1-800-526-5142 | THIS DRAWING IS A CONTROLLED DOCUMENT FOR AMP INCORPORATED. IT IS SUBJECT TO CHANGE AND THE CONTROLLING ENGINEERING ORGANIZATION SHOULD BE CONTACTED FOR THE LATEST REVISION. | MATERIAL BODY & SLEEVE COPPER PER ASTM B-152 INSULATION: NYLON | FINISH BODY & SLEEVE TIN PLATE PER ASTM B 545 INSULATION: COLOR-RED | APPLICATION SPEC 114-2157 | WEIGHT - | A3 | 00779 | C-320572 | - |
| CUSTOMER DRAWING | | | | | SCALE | 4:1 | SHEET | 2 OF 2 | REV | AB4 |