

### PART NUMBER LEGEND

2R8004A20M005

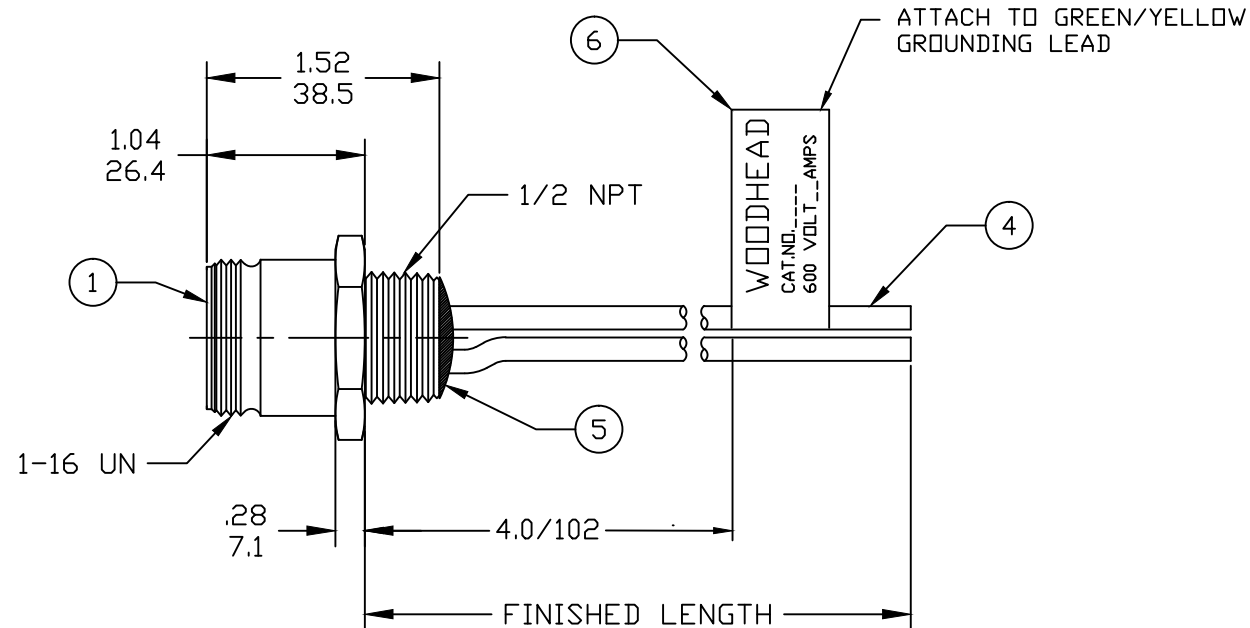
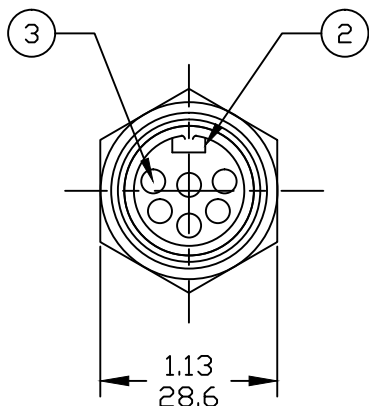
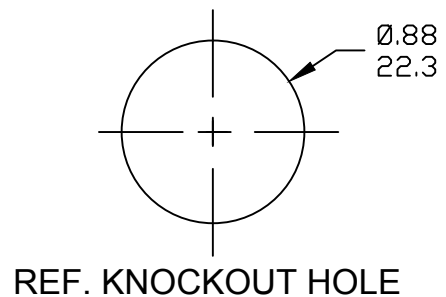
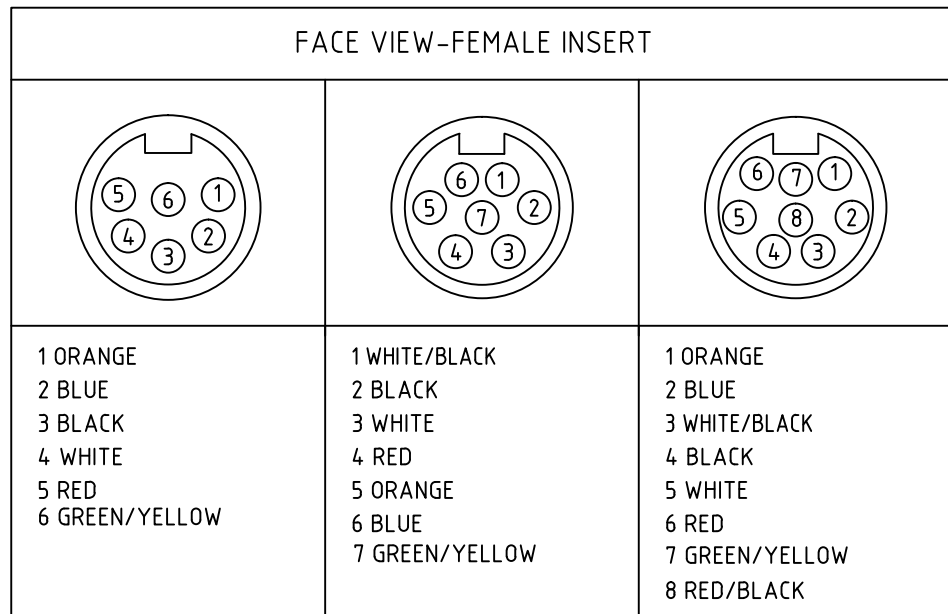
POLES  
6-8

FINISHED LENGTH:  
A120= 12 IN.  
F020= 2 FEET  
F100= 10 FEET

M005= 0.5 METER  
M010= 1 METER  
M100= 10 METER

(A1) CABLE LENGTH TOLERANCES

>.3M [1FT]:	+19mm-0 [+0.75in-0]
.3 - .9M [1 - 3FT]:	+44.5mm-0 [+1.75in-0]
.9 - 1.8M [3 - 6FT]:	+55.6mm-0 [+2.19in-0]
1.8 - 3.7M [6 - 12FT]:	+88.9mm-0 [+3.50in-0]
3.7 - 7.3M [12 - 24FT]:	+165.1mm-0 [+6.50in-0]
7.3-14.6M [24 - 48FT]:	+317.5mm-0 [+12.50in-0]
14.6 - 30.5M [48-100FT]:	+622.3mm-0 [+24.50in-0]
OVER 30M [100FT]	+2% OF FINISHED LENGTH



- NOTES:
- MATERIAL: AS NOTED
  - FINISH: AS NOTED
  - ELECTRICAL:  
VOLTAGE: 6 THRU 8P 600V PER UL 2238  
6P 400V PER IEC 60664  
7 & 8P 320V PER IEC 60664 (A1)  
CURRENT: 6 & 7 POLE: 8A  
8 POLE: 7A
  - TEMP RATING: -20°TO +105°C
  - PROTECTION: IP67 (WHEN MATED)
  - UL RECOGNIZED, FILE: E152210 (A1)
  - ALL DIMS ARE FOR REFERENCE UNLESS OTHERWISE NOTED

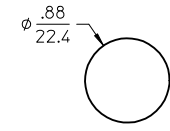
(A1)

PART NO.	ENGINEERING NO.	FINISHED LENGTH
1300140154	2R8004A20M005	0.5M
1300140155	2R8004A20M010	1.0M
1300140156	2R8004A20M020	2.0M

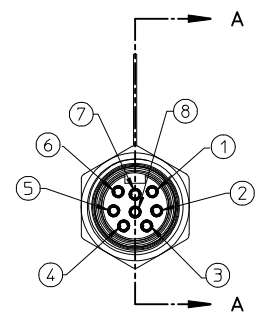
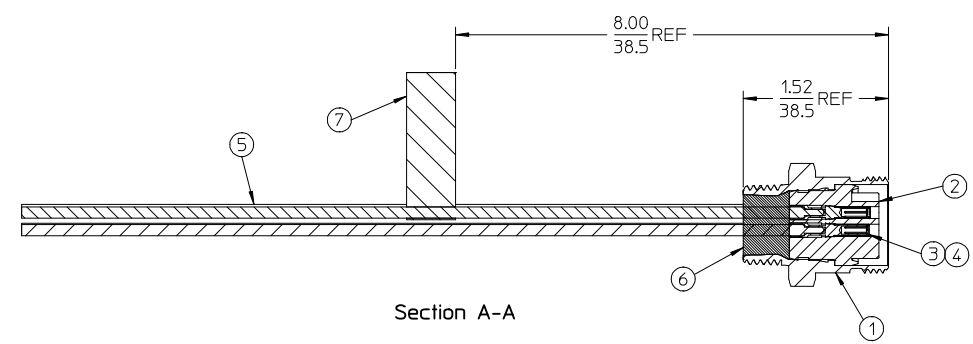
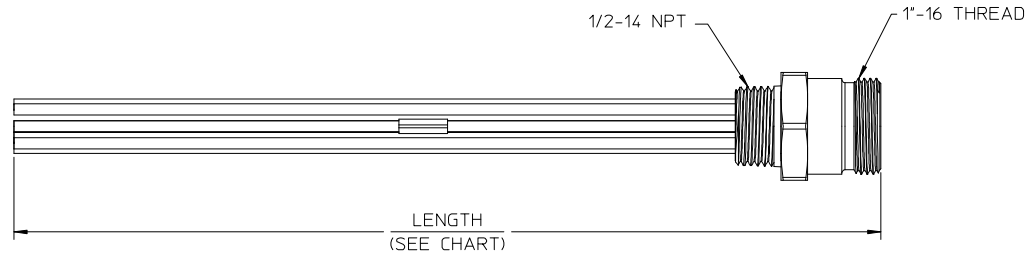
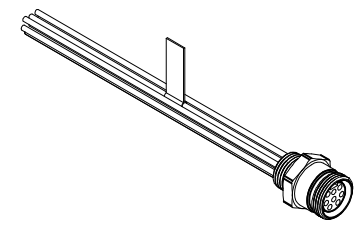
ITEM	COMPONENT	MATERIAL	FINISH
6	LABEL	VINYL	BLACK/YELLOW
5	POTTING	EPOXY	
4	WIRE, 16 AWG, UL 1015	PVC INSUL.	SEE FACE VIEW
3	CONTACT PIN	Cu ALLOY	GOLD PLATED
2	INSERT	PVC	YELLOW
1	RECEPTACLE SHELL	ZINC DIE-CAST	BLACK E-COAT

REV IEC SPECS, ADD PIN CHART EC NO: IPG2017-0940 DRWN: RSTONE 4/10/17 CHKD: K COX 2017/04/28 APPR: BWOODMAN 2017/01/16	QUALITY SYMBOLS ▽=0 ▽C=0	GENERAL TOLERANCES (UNLESS SPECIFIED)		DIMENSION STYLE INCH/MM		SCALE ---	DESIGN UNITS INCH	THIRD ANGLE PROJECTION	
		4 PLACES	±---	±---	DRAWN BY	DATE	MINI-CHANGE RECEPTACLE FEMALE 6 TO 8 POLE 16 AWG MOLEX INCORPORATED		
		3 PLACES	±---	±---	RSTONE	2016/12/07			
		2 PLACES	±---	±---	CHECKED BY	DATE			
1 PLACE	±---	±---	K COX	2017/04/28					
ANGULAR ±---°		DRAFT WHERE APPLICABLE MUST REMAIN WITHIN DIMENSIONS		APPROVED BY DATE BWOODMAN 2017/01/16		MATERIAL NO. --- DOCUMENT NO. SD-130014-009		SHEET NO. 1 OF 1	
SIZE B		THIS DRAWING CONTAINS INFORMATION THAT IS PROPRIETARY TO MOLEX INCORPORATED AND SHOULD NOT BE USED WITHOUT WRITTEN PERMISSION							

PART NUMBER	ENGINEERING NO.	LENGTH
1300140067	2R8004A20F060	6' 0" +2.19 - 0 [1.8M +55.6 - 0 ]
1300140061	2R8004A20A120	12' 0" +3.50 - 0 [ 3.7M +88.9 - 0 ]



REF. KNOCK-OUT HOLE



- NOTES:
- MATERIAL: SEE TABLE
  - FINISHES: SEE TABLE
  - CABLE ASSEMBLIES ARE BAGGED SEPERATELY IN POLY BAGS WITH BARCODE LABEL ATTACHED TO OUTSIDE OF BAG
  - WRAP LABEL IS MARKED WITH P/N, DATE CODE VOLTAGE & AMPERAGE
  - MATES WITH: MINI CHANGE, C-SIZE 8 POLE CORDSET
  - ELECTRICAL SPECIFICATIONS:  
VOLTAGE RATING: 600V  
CURRENT RATING: 7 AMPS
  - ASSEMBLY IS RoHS COMPLIANT

1	ORANGE
2	BLUE
3	WHITE/BLACK
4	BLACK
5	WHITE
6	RED
7	GREEN/YELLOW-GND
8	RED/BLACK

WIRING DIAGRAM

ITEM	QTY.	DESCRIPTION	MATERIAL	FINISH
7	1	LABEL	PLASTIC FILM	BLACK/YELLOW
6	1	POTTING	EPOXY	
5	7	WIRE, 16 AWG (UL 1015)	PVC INSULATED	SEE WIRE DIAGRAM
4	8	SOCKET SLEEVE	ST.STEEL	
3	8	CONTACT SOCKET	BRASS	GOLD PLATED
2	1	INSERT	PVC	YELLOW
1	1	RECEPTACLE SHELL	ZINC ALLOY	E-COAT, BLACK

RELEASED EC NO: MNA2009-0813 DRAWN: BRUPERT 2009/06/09 CHKD: BRUPERT APPR: J. MURPHY 2009/06/10	QUALITY SYMBOLS
	▽=0
	▽=0
	DESCRIPTION
	REV

GENERAL TOLERANCES (UNLESS SPECIFIED)	
mm	INCH
4 PLACES ± .005	± .001
3 PLACES ± .005	± .001
2 PLACES ± .005	± .01
1 PLACE ± 0.3	± .005
ANGULAR ± 1/2°	
DRAFT WHERE APPLICABLE MUST REMAIN WITHIN DIMENSIONS	

DIMENSION STYLE	
IN/MM	
DRAWN BY	DATE
BRUPERT	2009/04/06
CHECKED BY	DATE
B. WOODMAN	2009/04/06
APPROVED BY	DATE
J. MURPHY	2009/04/06
MATERIAL NO.	
SEE CHART	
SIZE	
THIS DRAWING CONTAINS INFORMATION THAT IS PROPRIETARY TO MOLEX INCORPORATED AND SHOULD NOT BE USED WITHOUT WRITTEN PERMISSION	

SCALE 1:1	DESIGN UNITS INCH	THIRD ANGLE PROJECTION
TITLE		
MINI-CHANGE CORD ASSY FEMALE, B-SIZE 8 POLE		
MOLEX INCORPORATED		
DOCUMENT NO.	SHEET NO.	
SD-130014-007	1 OF 1	