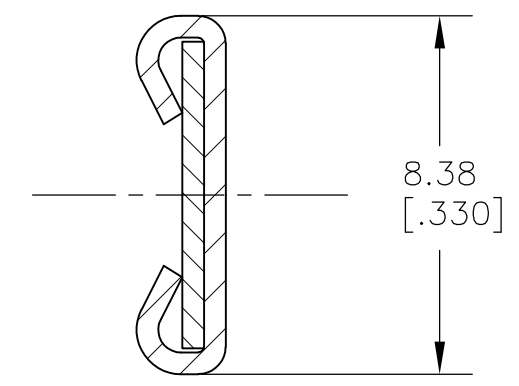
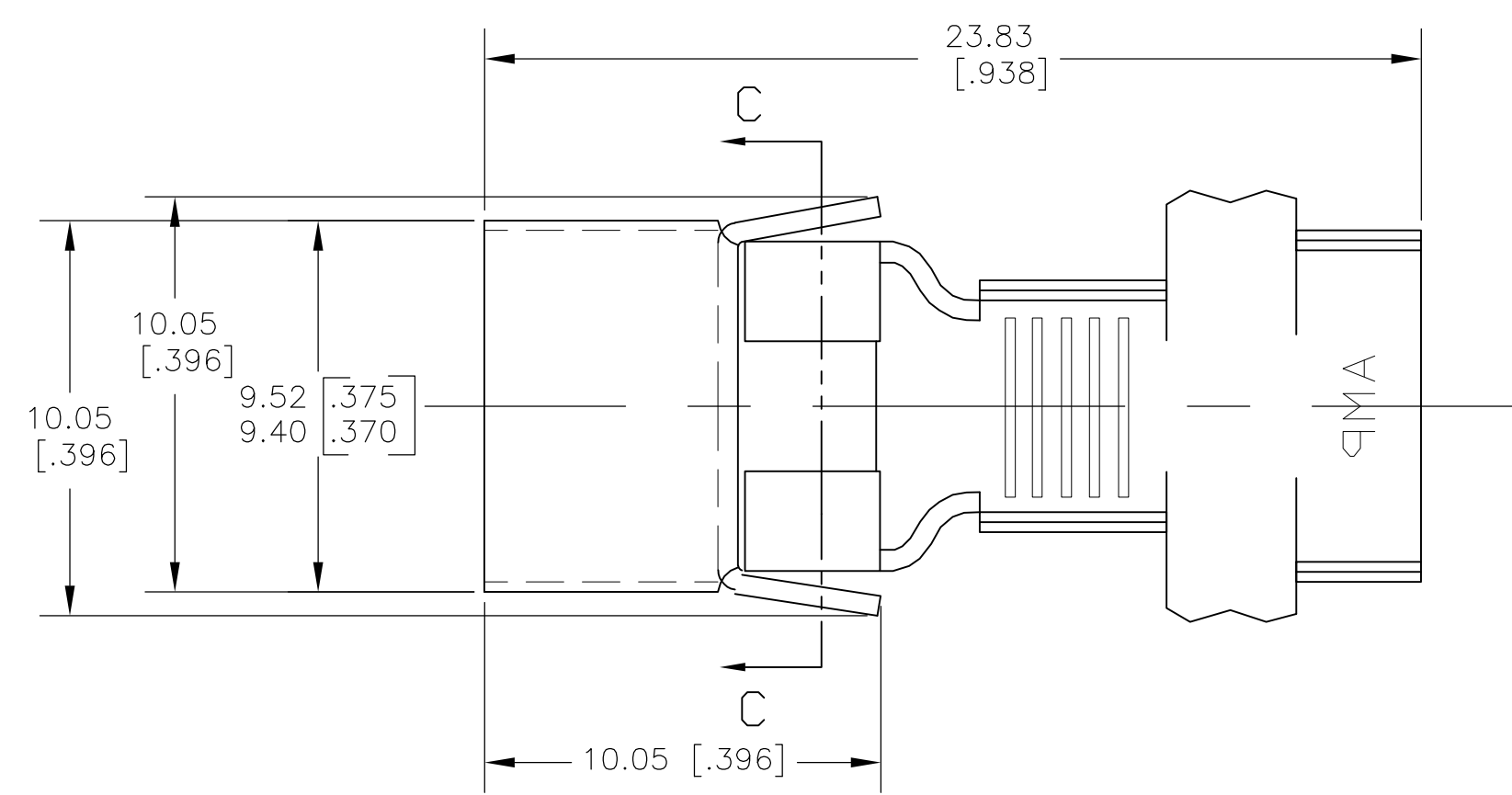
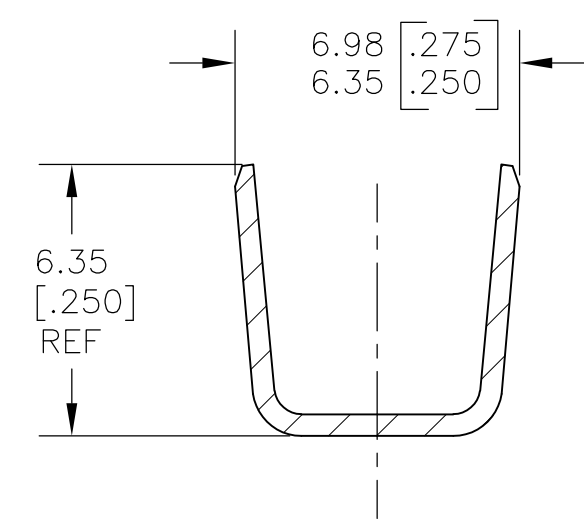
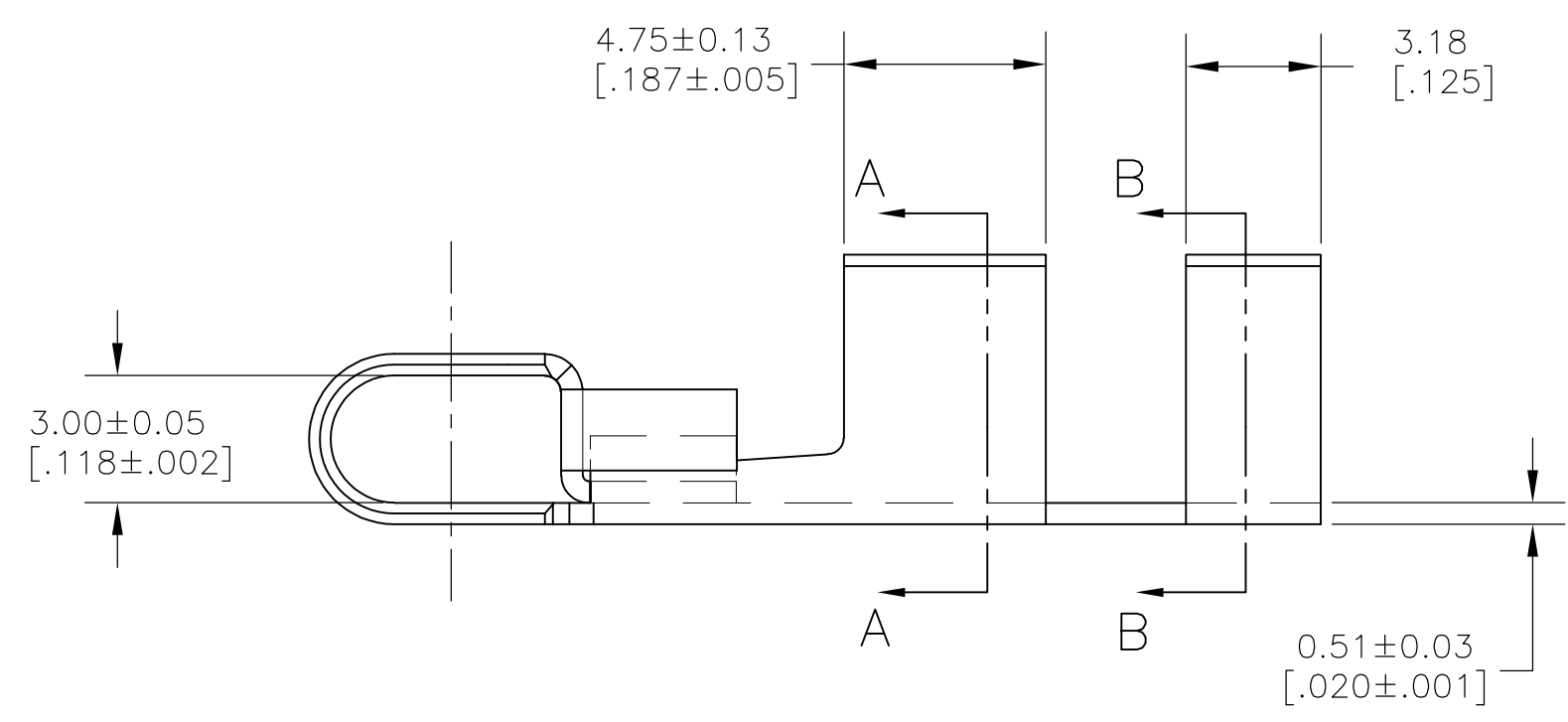


LOC	DIST	REVISIONS			
P	LTR	DESCRIPTION	DATE	OWN	APVD
AF	50	D6	REVISED PER ECR-13-014537	15NOV2013	KH GJ

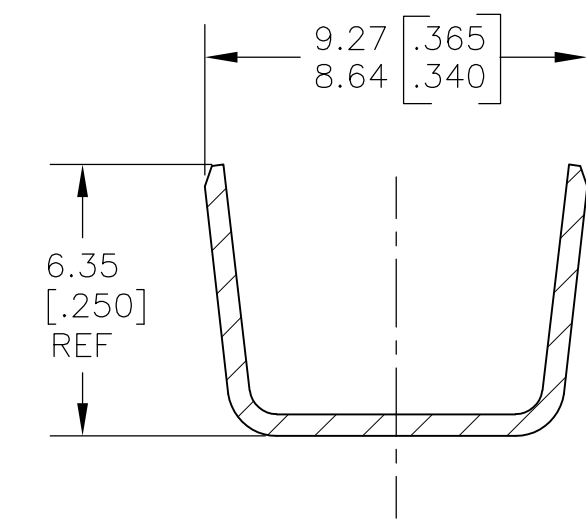


SECTION C-C

- 1 PRODUCT PROVIDED ON 19.56 [.770] CENTERS, IN STRIP FORM ON REELS. BREAKS MAY BE PRESENT.
- 2 WIRE SIZES [#14-#8 AWG] 2.08mm<sup>2</sup>-8.35mm<sup>2</sup>, STRANDED.
- 3 INSULATION RANGE 1.90-4.32 [.075-.170] DIA
- △ 4 EXTENDED QUANTITY PACKAGING
- △ 5 PRELIMINARY - NOT FOR PRODUCTION.



SECTION A-A



SECTION B-B

STANDARD	FINISH	MATERIAL	PART NUMBER
△ 4	POST TIN	H02 CuFeP ALLOY	1-1742539-3
STANDARD	POST TIN	TMOS CuNiSi ALLOY	△ 5 1742539-4
STANDARD	POST TIN	H02 CuFeP ALLOY	1742539-3
SUPERSEDED BY 1742539-3	PRE-TIN	H02 CuFe ALLOY	1742539-2
OBSOLETE	POST TIN	H03 CuSnZn ALLOY	1742539-1

THIS DRAWING IS A CONTROLLED DOCUMENT.

DWN jr ruth 01FEB07	 TE Connectivity
CHK GARY PORTA 01FEB07	
APVD GARY PORTA 01FEB07	
DIMENSIONS: MM[INCHES]	
TOLERANCES UNLESS OTHERWISE SPECIFIED:	
0 PLC ± - 1 PLC ± - 2 PLC ± 0.25 [.010] 3 PLC ± - 4 PLC ± - ± 1°	
MATERIAL: SEE TABLE	
FINISH: SEE TABLE	
PRODUCT SPEC: 108-2388	
APPLICATION SPEC: 114-13244	
WEIGHT: -	
CUSTOMER DRAWING	
SIZE: A2	CAGE CODE: 00779
DRAWING NO: 1742539	
RESTRICTED TO: -	
SCALE: 6:1	
SHEET: 1 of 1	
REV: D6	