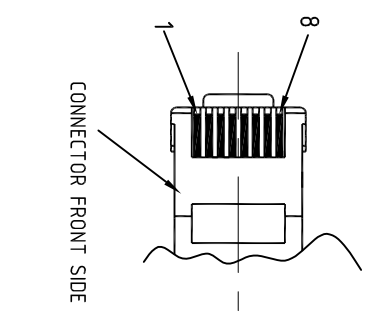


CONNECTOR PINOUT



CONN.1	WIRE COLOR	CONN.2
8	BROWN/WHITE	8
7	WHITE/BROWN	7
6	GREEN/WHITE	6
5	WHITE/BLUE	5
4	BLUE/WHITE	4
3	WHITE/GREEN	3
2	ORANGE/WHITE	2
1	WHITE/ORANGE	1
SHELL	BRAID	SHELL

WIRING INFORMATION

Part- No.	Cable Length (L) (MM)	Sticking Label Length(P) (MM)
09 45 971 1121	500±10	250
09 45 971 1122	1,000±10	500
09 45 971 1123	2,000±20	1,000
09 45 971 1124	3,000±30	1,000
09 45 971 1125	4,000±40	2,000
09 45 971 1126	5,000±50	2,000
09 45 971 1127	6,000±60	2,000
09 45 971 1128	7,000±70	2,000
09 45 971 1129	7,500±75	2,000
09 45 971 1130	8,000±80	2,000
09 45 971 1131	9,000±90	2,000
09 45 971 1132	10,000 ⁺⁵⁰ ₋₀	2,000
09 45 971 1133	15,000±150	2,000
09 45 971 1134	20,000±200	2,000
09 45 971 1135	1,500±15	750
09 45 971 1136	2,500±25	1,000
09 45 971 1138	300±10	150
09 45 971 1201	40,000±350	2,000

P/N INFORMATION

- NOTES:
- ELECTRICAL REQUIREMENTS
 - BE PERFORMED ISO IEC 11801:2002
 - NOMINAL IMPEDANCE = 100 ±10 OHMS
 - DIELECTRIC WITHSTANDING VOLTAGE = 500 VDC MIN. FOR 1 MINUTE
 - MECHANICAL REQUIREMENTS
 - OPERATING TEMPERATURE = -20° TO +80°C
 - MATING CYCLES : 250
 - PROTECTION GRADE: IP20
 - CABLE MUST BE PERFORMED 100% HI-POT TEST AND CONTINUITY TEST
 - WHITE LABEL INFORMATION:

DATE CODE & LOT INFORMATION
 LENGTH: XX M
 HARTING P/N

- CABLE MUST BE PACKED INTO A PLASTIC BAG.

CAT5, PUR, BLACK JACKET

Rev.	Description	Appr.	Date
02	Add length 40m cable assy.	Lucy Zheng	14./01/15
01	Change tolerance for P/N 09459711132.(ECN13172)	Lucy Zheng	15/11/13
00	Prototype	James	18/09/07

Coating	A=	/	mm ²	V=	/	mm ³	m=	/	g	Mat.	See Bill of Material
			Scale			Free size tol.					Ref. /
			Original Size DIN A3								Sub. /

	All rights reserved	Created by	Inspected by	Standardisation	Date	State
Department	HCS - CN	ZHENGL	WANGF	CHENJU	2015-01-14	Final release

HARTING Electronics GmbH	Title	Type	Number	Doc-Key / EGM-Nr.
D-32339 Espelkamp	RJ45 CAT5 PUR BLACK DOUBLE ENDED MOLDED CABLE ASSEMBLY	TB	09 45 971 1XXX	/