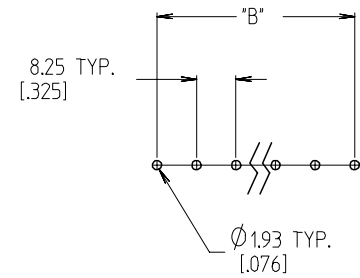
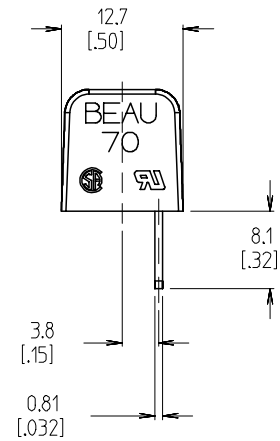
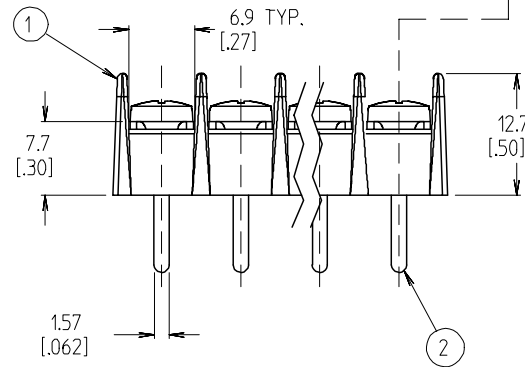
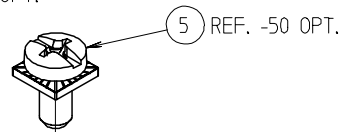


4 CIRCUIT SHOWN



PTH PATTERN
SCALE 1:1

NOTES:

1. MATERIAL: SEE TABLE
2. FINISH: SEE TABLE
3. "XX" REFERS TO THE QUANTITY OF CIRCUITS.
4. INCH DIMS ARE SHOWN IN BRACKETS [XXX].
5. ALL COMPONENTS ARE ROHS COMPLIANT.

5	"XX"	SCREW, #6-32X.250, PAN, PH-SL, W/WASHER (-50 OPT)	STEEL	ZN, CLEAR CHROMATE
4	"XX"	SCREW, #6-32X.250, PAN, PH-SL (-49 OPT)	BRASS	NICKEL PLATE
3	"XX"	SCREW, #6-32X.250, PAN, PH-SL	STEEL	ZN, CLEAR CHROMATE
2	"XX"	TERMINAL, WW, #6-32	BRASS	TIN PLATE
1	1	INSULATOR, SR, MOLDED MTG.	PBT, GF	BLACK
ITEM	QTY.	DESCRIPTION	MATERIAL	FINISH

INITIAL RELEASE	EC NO: ETC2006-0405	2006/05/04
DRW:NYORK	CHKD:RDEROSS	2006/05/06
APPR:RDEROSS		2006/05/08
REV	DESCRIPTION	
A		

QUALITY SYMBOLS
▽=0
▽=0

GENERAL TOLERANCES (UNLESS SPECIFIED)	mm	INCH
4 PLACES	± ---	± ---
3 PLACES	± ---	± .005
2 PLACES	± 0.13	± .01
1 PLACE	± 0.3	± ---
ANGULAR ± 2 °		
DRAFT WHERE APPLICABLE MUST REMAIN WITHIN DIMENSIONS		

DIMENSION STYLE		MM/IN
DRAWN BY	DATE	
C. YORK	2006/04/27	
CHECKED BY	DATE	
R. DEROSS	2006/04/27	
APPROVED BY	DATE	
R. DEROSS	2006/04/27	
MATERIAL NO.		SEE SHT. 2

SCALE	2:1	DESIGN UNITS	INCH	THIRD ANGLE PROJECTION
TITLE				
8.26MM [.325] SR BTS WW ASSY, NO MTG				
MOLEX INCORPORATED				SHEET NO.
DOCUMENT NO.				1 OF 2
SD-38701-002				

# OF CIRCUITS "XX"	DIM. "A"		DIM. "B"		ASSEMBLY MATERIAL NO. (-C OPT)	ASSEMBLY MATERIAL NO. (-C-49 OPT)	ASSEMBLY MATERIAL NO. (-C-50 OPT)
	mm	in	mm	in			
02	18.4	0.73	8.26	0.325	387012302	387012902	387013502
03	26.7	1.05	16.51	0.650	387012303	387012903	387013503
04	34.9	1.38	24.77	0.975	387012304	387012904	387013504
05	43.2	1.70	33.02	1.300	387012305	387012905	387013505
06	51.4	2.03	41.28	1.625	387012306	387012906	387013506
07	59.7	2.35	49.53	1.950	387012307	387012907	387013507
08	67.9	2.68	57.79	2.275	387012308	387012908	387013508
09	76.2	3.00	66.04	2.600	387012309	387012909	387013509
10	84.5	3.33	74.30	2.925	387012310	387012910	387013510
11	92.7	3.65	82.55	3.250	387012311	387012911	387013511
12	101.0	3.98	90.81	3.575	387012312	387012912	387013512
13	109.2	4.30	99.06	3.900	387012313	387012913	387013513
14	117.5	4.63	107.32	4.225	387012314	387012914	387013514
15	125.7	4.95	115.57	4.550	387012315	387012915	387013515
16	134.0	5.28	123.83	4.875	387012316	387012916	387013516
17	142.2	5.60	132.08	5.200	387012317	387012917	387013517
18	150.5	5.93	140.34	5.525	387012318	387012918	387013518
19	158.8	6.25	148.59	5.850	387012319	387012919	387013519
20	167.0	6.58	156.85	6.175	387012320	387012920	387013520
21	175.3	6.90	165.10	6.500	387012321	387012921	387013521
22	183.5	7.23	173.36	6.825	387012322	387012922	387013522
23	191.8	7.55	181.61	7.150	387012323	387012923	387013523
24	200.0	7.88	189.87	7.475	387012324	387012924	387013524
25	208.3	8.20	198.12	7.800	387012325	387012925	387013525
26	216.5	8.53	206.38	8.125	387012326	387012926	387013526
27	224.8	8.85	214.63	8.450	387012327	387012927	387013527
28	233.0	9.18	222.89	8.775	387012328	387012928	387013528
29	241.3	9.50	231.14	9.100	387012329	387012929	387013529
30	249.6	9.83	239.40	9.425	387012330	387012930	387013530

SEE SHEET 1 EC NO: ETC2006-0405 DRWN: CYORK 2006/05/04 CHKD: RDEROSS 2006/05/06 APPR: RDEROSS 2006/05/08	QUALITY SYMBOLS ▽=0 ▽=0	GENERAL TOLERANCES (UNLESS SPECIFIED) <table border="1"> <tr> <th></th> <th>mm</th> <th>INCH</th> </tr> <tr> <td>4 PLACES</td> <td>± ---</td> <td>± ---</td> </tr> <tr> <td>3 PLACES</td> <td>± ---</td> <td>± .005</td> </tr> <tr> <td>2 PLACES</td> <td>± 0.13</td> <td>± .01</td> </tr> <tr> <td>1 PLACE</td> <td>± 0.3</td> <td>± ---</td> </tr> </table>		mm	INCH	4 PLACES	± ---	± ---	3 PLACES	± ---	± .005	2 PLACES	± 0.13	± .01	1 PLACE	± 0.3	± ---	DIMENSION STYLE MM/IN DRAWN BY: C. YORK DATE: 2006/04/27 CHECKED BY: R. DEROSS DATE: 2006/04/27 APPROVED BY: R. DEROSS DATE: 2006/04/27	SCALE: 2:1 DESIGN UNITS: INCH THIRD ANGLE PROJECTION
		mm	INCH																
	4 PLACES	± ---	± ---																
	3 PLACES	± ---	± .005																
2 PLACES	± 0.13	± .01																	
1 PLACE	± 0.3	± ---																	
		DRAFT WHERE APPLICABLE MUST REMAIN WITHIN DIMENSIONS	MATERIAL NO.: SEE CHART SIZE B	TITLE: 8.26MM [.325] SR BTS WW ASSY, NO MTG MOLEX INCORPORATED DOCUMENT NO.: SD-38701-002															
			SHEET NO.: 2 OF 2 THIS DRAWING CONTAINS INFORMATION THAT IS PROPRIETARY TO MOLEX INCORPORATED AND SHOULD NOT BE USED WITHOUT WRITTEN PERMISSION																