

PIC18(L)F2X/4XK40 Memory Programming Specification

1.0 OVERVIEW

This programming specification describes an SPI-based programming method for the PIC18(L)F2X/4XK40 family of microcontrollers. [Section 3.0 “Programming Algorithms”](#) describes the programming commands, programming algorithms and electrical specifications which are used in that particular programming method. [Appendix B](#) contains individual part numbers, device identification and checksum values, pinout and packaging information, and Configuration Words.

Note 1: This is a SPI-compatible programming method with 8-bit commands.

2: The low-voltage entry code is now 32 clocks and MSb first, unlike previous PIC18 devices which had 33 clocks and LSb first.

1.1 Programming Data Flow

Nonvolatile Memory (NVM) programming data can be supplied by either the high-voltage In-Circuit Serial Programming™ (ICSP™) interface or the low-voltage In-Circuit Serial Programming (ICSP) interface. Data can be programmed into the Program Flash Memory (PFM), Data EEPROM Memory, dedicated “User ID” locations and the Configuration Words.

1.2 Write and/or Erase Selection

Erasing or writing is selected according to the command used to begin operation (see [Table 3-1](#)). The terminologies used in this document, related to erasing/writing to the program memory, are defined in [Table 1-1](#) and are detailed below.

TABLE 1-1: PROGRAMMING TERMS

Term	Definition
Programmed Cell	A memory cell at logic ‘0’
Erased Cell	A memory cell at logic ‘1’
Erase	Change memory cell from a ‘0’ to a ‘1’
Write	Change memory cell from a ‘1’ to a ‘0’
Program	Generic erase and/or write

1.2.1 ERASING MEMORY

Memory is erased by row or in bulk, where ‘bulk’ includes many subsets of the total memory space. The duration of the erase is determined by the size of program memory. All Bulk ICSP Erase commands have minimum VDD requirements, which are higher than the Row Erase and write requirements.

1.2.2 WRITING MEMORY

Memory is written one row at a time. Multiple load data for NVM commands is used to fill the row data latches. The duration of the write can be determined either internally or externally.

1.2.3 MULTI-WORD PROGRAMMING INTERFACE

Program Flash Memory (PFM) panels include up to a 64-word (one row) programming interface. Refer to [Table 3-3](#) for row size of erase and write operations for the PIC18(L)F2X/4XK40 family. The row to be programmed must first be erased, either with a Bulk Erase or a Row Erase.

PIC18(L)F2X/4XK40

1.3 Hardware Requirements

1.3.1 HIGH-VOLTAGE ICSP PROGRAMMING

In High-Voltage ICSP mode, the device requires two programmable power supplies: one for VDD and one for the MCLR/VPP pin.

1.3.2 LOW-VOLTAGE ICSP PROGRAMMING

In Low-Voltage ICSP mode, the device can be programmed using a single VDD source in the operating range. The MCLR/VPP pin does not have to be brought to programming voltage, but can instead be left at the normal operating voltage.

1.3.2.1 Single-Supply ICSP Programming

The device's LVP Configuration bit enables single-supply (low-voltage) ICSP programming. The LVP bit defaults to a '1' (enabled). The LVP bit may only be programmed to '0' by entering the High-Voltage ICSP mode, where the MCLR/VPP pin is raised to VIH. Once the LVP bit is programmed to a '0', only the High-Voltage ICSP mode is available and only the High-Voltage ICSP mode can be used to program the device.

Note 1: The High-Voltage ICSP mode is always available, regardless of the state of the LVP bit, by applying VIH to the MCLR/VPP pin.

2: While in Low-Voltage ICSP mode, MCLR is always enabled, regardless of the MCLRE bit. Also, the port pin can no longer be used as a general purpose input.

1.4 Pin Utilization

Five pins are needed for ICSP programming. The pins are listed in Table 1-2. For pin locations and packaging information, please refer to Table B-3.

TABLE 1-2: PIN DESCRIPTIONS DURING PROGRAMMING

Pin Name	During Programming		
	Function	Pin Type	Pin Description
ICSPCLK	ICSPCLK	I	Clock Input – Schmitt Trigger Input
ICSPDAT	ICSPDAT	I/O	Data Input/Output – Schmitt Trigger Input
MCLR/VPP	Program/Verify mode	I ⁽¹⁾	Program Mode Select
VDD	VDD	P	Power Supply
VSS	VSS	P	Ground

Legend: I = Input, O = Output, P = Power

Note 1: The programming high voltage is internally generated. To activate the Program/Verify mode, high voltage needs to be applied to the MCLR input. Since the MCLR is used for a level source, MCLR does not draw any significant current.

PIC18(L)F2X/4XK40

2.0 MEMORY MAP

TABLE 2-1: PROGRAM AND DATA EEPROM MEMORY MAP

	PIC18(L)F24K40	PIC18(L)F25K40 PIC18(L)F45K40	PIC18(L)F26K40 PIC18(L)F46K40	PIC18(L)F27K40 PIC18(L)F47K40	
	PC<21:0>	PC<21:0>	PC<21:0>	PC<21:0>	
Note 1	Stack (31 levels)	Stack (31 levels)	Stack (31 levels)	Stack (31 levels)	Note 1
00 0000h	Reset Vector	Reset Vector	Reset Vector	Reset Vector	00 0000h
...
00 0008h	Interrupt Vector High	Interrupt Vector High	Interrupt Vector High	Interrupt Vector High	00 0008h
...
00 0018h	Interrupt Vector Low	Interrupt Vector Low	Interrupt Vector Low	Interrupt Vector Low	00 0018h
00 001Ah	Program Flash Memory (8 KW)	Program Flash Memory (16 KW)	Program Flash Memory (32 KW)	Program Flash Memory (64 KW)	00 001Ah
00 3FFFh					00 3FFFh
00 4000h					00 4000h
00 7FFFh					00 7FFFh
00 8000h	Not present ⁽²⁾	Not present ⁽²⁾	Not present ⁽²⁾	Not present ⁽²⁾	00 8000h
00 FFFFh					00 FFFFh
01 0000h					01 0000h
01 FFFFh					01 FFFFh
02 0000h	Not present ⁽²⁾	Not present ⁽²⁾	Not present ⁽²⁾	Not present ⁽²⁾	02 0000h
1F FFFFh					1F FFFFh
20 0000h					20 0000h
20 000Fh					20 000Fh
20 0010h	User IDs (8 Words) ⁽³⁾				20 0010h
...	Reserved				...
2F FFFFh	Reserved				2F FFFFh
30 0000h	Configuration Words (6 Words) ⁽³⁾				30 0000h
...	Reserved				...
30 000Bh	Reserved				30 000Bh
30 000Ch	Reserved				30 000Ch
...	Reserved				...
30 FFFFh	Reserved				30 FFFFh
31 0000h	DataEEByte0	DataEEByte0		DataEEByte0	31 0000h
...
31 00FFh	DataEEByte255	DataEEByte1023		DataEEByte1023	31 00FFh
...	Unimplemented	DataEEByte1023	
31 03FFh	Reserved				31 03FFh
31 0400h	Reserved				31 0400h
...	Reserved				...
3F FFFBh	Reserved				3F FFFBh
3F FFFCh	Revision ID (1 Word) ⁽⁴⁾				3F FFFCh
...	Revision ID (1 Word) ⁽⁴⁾				...
3F FFFDh	Revision ID (1 Word) ⁽⁴⁾				3F FFFDh
3F FFFEh	Device ID (1 Word) ⁽⁴⁾				3F FFFEh
...	Device ID (1 Word) ⁽⁴⁾				...
3F FFFFh	Device ID (1 Word) ⁽⁴⁾				3F FFFFh

Note 1: The stack is a separate SRAM panel, apart from all user memory panels.
Note 2: The addresses do not roll over. The region is read as '0'.
Note 3: Not code-protected.
Note 4: Device/Revision IDs are hard-coded in silicon.

PIC18(L)F2X/4XK40

TABLE 2-2: MEMORY MAP AND CODE PROTECTION CONTROL

Reg.	Address (from/to)	Device				
		PIC18(L)F24K40	PIC18(L)F25K40 PIC18(L)F45K40	PIC18(L)F26K40 PIC18(L)F46K40	PIC18(L)F27K40 PIC18(L)F47K40	
PFM	00 0000h 00 07FFh	Boot Block 1 KW CP, WRTB, EBTRB	Boot Block 1 KW CP, WRTB, EBTRB	Boot Block 1 KW CP, WRTB, EBTRB	Boot Block 1 KW CP, WRTB, EBTRB	
	00 0800h 00 1FFFh	Block 0 3 KW CP, WRT0, EBTR0	Block 0 3 KW CP, WRT0, EBTR0	Block 0 7 KW CP, WRT0, EBTR0	Block 0 7 KW CP, WRT0, EBTR0	
	00 2000h 00 3FFFh	Block 1 4 KW CP, WRT1, EBTR1	Block 1 4 KW CP, WRT1, EBTR1			
	00 4000h 00 5FFFh 00 6000h 00 7FFFh	Not present	Block 2 4 KW CP, WRT2, EBTR2	Block 1 8 KW CP, WRT1, EBTR1	Block 1 8 KW CP, WRT1, EBTR1	
	00 8000h 00 BFFFh		Block 3 4 KW CP, WRT3, EBTR3			
	00 C000h 00 FFFFh		Not present	Block 2 8 KW CP, WRT2, EBTR2	Block 3 8 KW CP, WRT3, EBTR3	Block 2 8 KW CP, WRT2, EBTR2
	01 0000h 01 3FFFh 01 4000h 01 7FFFh 01 8000h 01 BFFFh 01 C000h 01 FFFFh			Block 3 8 KW CP, WRT3, EBTR3		
	CONFIG	30 0000h 30 000Bh	6 Words WRTC			
		31 0000h 31 00FFh	256 Words CPD, WRTD		1 KW CPD, WRTD	
	31 0100h 31 03FFh	Unimplemented				

PIC18(L)F2X/4XK40

2.1 User ID Location

A user may store identification information (User ID) in eight designated locations. The User ID locations are mapped to 20 0000h-20 000Fh. Each location is 16 bits in length. It is recommended that the Most Significant nibble of each ID be Fh. In doing so, if the user code inadvertently tries to execute from the ID space, the ID data will execute as a NOP. Code protection has no effect on these memory locations. Each location may be read with code protection enabled or disabled.

2.2 Device/Revision ID

The 16-bit Device ID Word is located at 3F FFFeh and the 16-bit Revision ID is located at 3F FFFCh. These locations are read-only and cannot be erased or modified.

REGISTER 2-1: DEVICEID: DEVICE ID REGISTER

R	R	R	R	R	R	R	R
DEV15	DEV14	DEV13	DEV12	DEV11	DEV10	DEV9	DEV8
bit 15							bit 8

R	R	R	R	R	R	R	R
DEV7	DEV6	DEV5	DEV4	DEV3	DEV2	DEV1	DEV0
bit 7							bit 0

Legend:

R = Readable bit '1' = Bit is set 0' = Bit is cleared x = Bit is unknown

bit 15-0 **DEV<15:0>**: Device ID bits

REGISTER 2-2: REVISIONID: REVISION ID REGISTER

R	R	R	R	R	R	R	R
1	0	1	0	MJRREV<5:2>			
bit 15							bit 8

R	R	R	R	R	R	R	R
MJRREV<1:0>		MNRREV<5:0>					
bit 7							bit 0

Legend:

R = Readable bit '1' = Bit is set 0' = Bit is cleared x = Bit is unknown

bit 15-12 **Read as '1010'**
These bits are fixed with value, '1010', for all devices in this programming specification.

bit 11-6 **MJRREV<5:0>**: Major Revision ID bits
These bits are used to identify a major revision. A major revision is indicated by an all layer revision (A0, B0, C0, etc...).
Revision A = 6'b00_0000

bit 5-0 **MNRREV<5:0>**: Minor Revision ID bits
These bits are used to identify a minor revision.
Revision A0 = 6'b00_0000

PIC18(L)F2X/4XK40

2.3 Configuration Words

The devices have six Configuration Words starting at address, 30 0000h. The individual bits within these Configuration Words are critical to the correct operation of the system. Configuration bits enable or disable specific features, placing these controls outside the normal software process, and they establish configured values prior to the execution of any software.

In terms of programming, these important Configuration bits should be considered:

1. LVP: Low-Voltage Programming Enable bit

1 = ON – Low-Voltage Programming is enabled. $\overline{\text{MCLR}}/\text{VPP}$ pin function is $\overline{\text{MCLR}}$.
MCLRE Configuration bit is ignored.

0 = OFF – High Voltage on $\overline{\text{MCLR}}/\text{VPP}$ must be used for programming.

It is important to note that the LVP bit cannot be written (to '0') while operating from the LVP programming interface. The purpose of this rule is to prevent the user from dropping out of LVP mode while programming from LVP mode, or accidentally eliminating LVP mode from the configuration state. For more information, see [Section 3.1.2 “Low-Voltage Programming \(LVP\) Mode”](#).

2. MCLRE: Master Clear ($\overline{\text{MCLR}}$) Enable bit

- If LVP = 1

RE3 pin function is $\overline{\text{MCLR}}$

- If LVP = 0

1 = $\overline{\text{MCLR}}$ pin is $\overline{\text{MCLR}}$

0 = $\overline{\text{MCLR}}$ pin function is a port defined function

3. CPD: Data NVM (EEPROM) Memory Code Protection bit

1 = OFF – Data NVM code protection is disabled

0 = ON – Data NVM code protection is enabled

4. CP: User NVM Program Memory Code Protection bit

1 = OFF – User NVM code protection is disabled

0 = ON – User NVM code protection is enabled

For more information on code protection, see [Section 3.3 “Code Protection”](#).

3.0 PROGRAMMING ALGORITHMS

3.1 Program/Verify Mode

In Program/Verify mode, the program memory and the configuration memory can be accessed and programmed in serial fashion. ICSPDAT and ICSPCLK are used for the data and the clock, respectively. All commands and data words are transmitted MSb first. Data changes on the rising edge of the ICSPCLK and is latched on the falling edge. In Program/Verify mode, both the ICSPDAT and ICSPCLK are Schmitt Trigger inputs. The sequence that enters the device into Program/Verify mode places all other logic into the Reset state. Upon entering Program/Verify mode, all I/Os are automatically configured as high-impedance inputs and the address is cleared.

3.1.1 HIGH-VOLTAGE PROGRAM/VERIFY MODE ENTRY AND EXIT

There are two different modes of entering Program/Verify mode via high voltage:

- VPP – First Entry mode
- VDD – First Entry mode

3.1.1.1 VPP – First Entry Mode

To enter Program/Verify mode via the VPP-First mode, the following sequence must be followed:

1. Hold ICSPCLK and ICSPDAT low. All other pins should be unpowered.
2. Raise the voltage on $\overline{\text{MCLR}}$ from 0V to V_{IH} .
3. Raise the voltage on VDD from 0V to the desired operating voltage.

The VPP-First entry prevents the device from executing code prior to entering Program/Verify mode. For example, when the Configuration Word has already been programmed to have $\overline{\text{MCLR}}$ disabled ($\text{MCLRE} = 0$), the Power-up Timer disabled ($\text{PWRTE} = 0$) and the internal oscillator selected, the device will execute code immediately. Since this may prevent entry, VPP-First Entry mode is strongly recommended as it prevents user code from changing EEPROM contents or driving pins to affect Test mode entry. See the timing diagram in [Figure 3-1](#).

3.1.1.2 VDD – First Entry Mode

To enter Program/Verify mode via the VDD-First mode, the following sequence must be followed:

1. Hold ICSPCLK and ICSPDAT low.
2. Raise the voltage on VDD from 0V to the desired operating voltage.
3. Raise the voltage on $\overline{\text{MCLR}}$ from VDD or below to V_{IH} .

The VDD-First mode is useful for programming the device when VDD is already applied, for it is not necessary to disconnect VDD to enter Program/Verify mode. See the timing diagram in [Figure 3-2](#).

3.1.1.3 Program/Verify Mode Exit

To exit Program/Verify mode, lower $\overline{\text{MCLR}}$ from V_{IH} or lower (V_{IL}). VPP-First Entry mode should use VPP-Last Exit mode (see [Figure 3-1](#)). VDD-First Entry mode should use VDD-Last Exit mode (see [Figure 3-2](#)).

PIC18(L)F2X/4XK40

FIGURE 3-1: PROGRAMMING ENTRY AND EXIT MODES – VPP-First AND Last

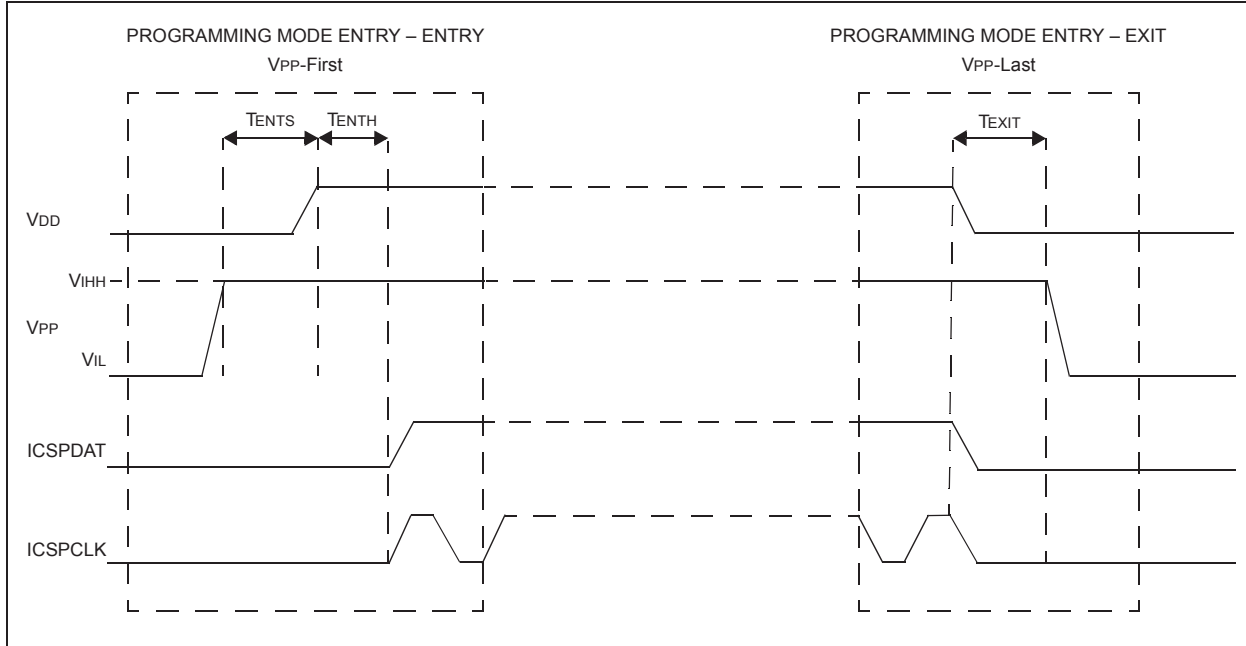
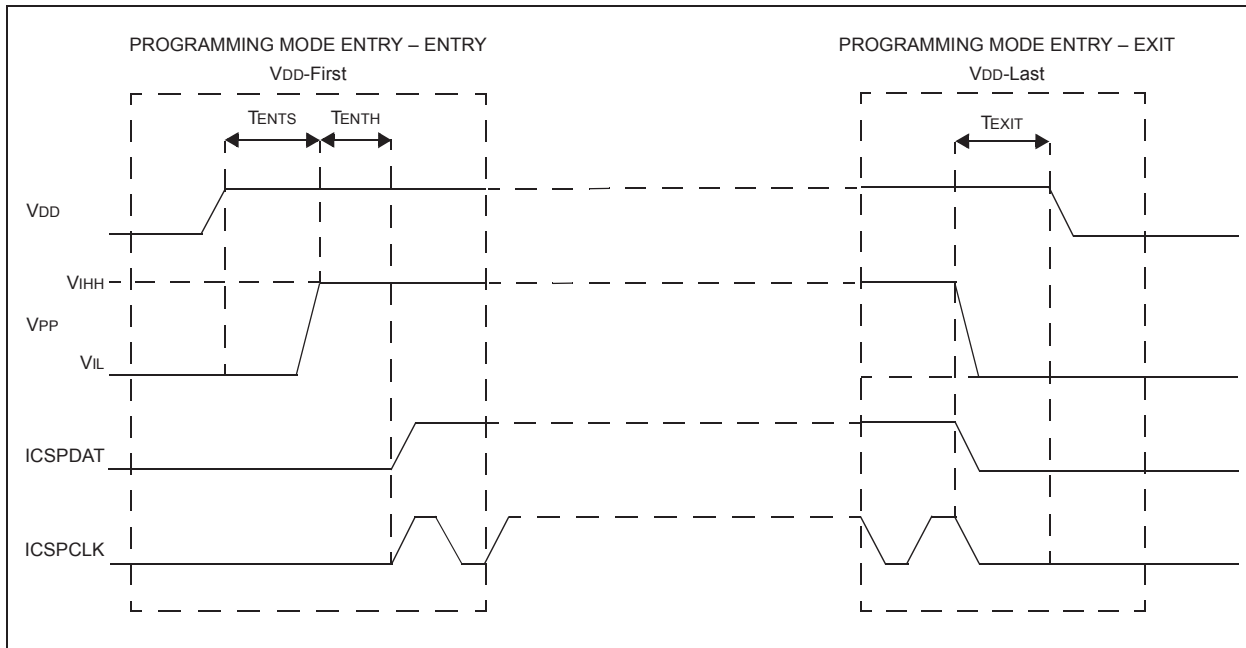


FIGURE 3-2: PROGRAMMING ENTRY AND EXIT MODES – VDD-First AND Last



3.1.2 LOW-VOLTAGE PROGRAMMING (LVP) MODE

The Low-Voltage Programming mode allows the devices to be programmed using VDD only, without high voltage. When the LVP bit of the Configuration Word 3 register is set to '1', the Low-Voltage ICSP Programming entry is enabled. To disable the Low-Voltage ICSP mode, the LVP bit must be programmed to '0'. This can only be done while in the High-Voltage Entry mode.

Entry into the Low-Voltage ICSP Program/Verify mode requires the following steps:

1. $\overline{\text{MCLR}}$ is brought to V_{IL} .
2. A **32-bit key sequence** is presented on ICSPDAT. The LSb of the pattern is a "don't care x". The Program/Verify mode entry pattern detect hardware verifies only the first 31 bits of the sequence and the last clock is required before the pattern detect goes active.

The key sequence is a specific 32-bit pattern, '32'h4d434850' (more easily remembered as MCHP in ASCII). The device will enter Program/Verify mode only if the sequence is valid. The Most Significant bit of the most significant nibble must be shifted in first. Once the key sequence is complete, $\overline{\text{MCLR}}$ must be held at V_{IL} for as long as Program/Verify mode is to be maintained. For Low-Voltage Programming timing, see Figure 3-3 and Figure 3-4.

FIGURE 3-3: LVP ENTRY (POWERING UP)

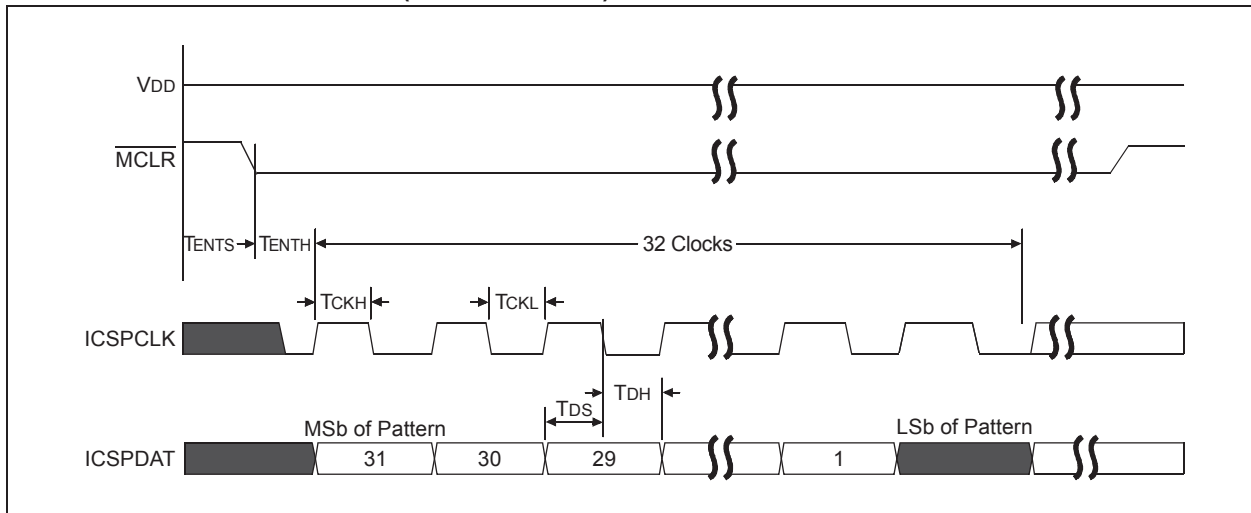
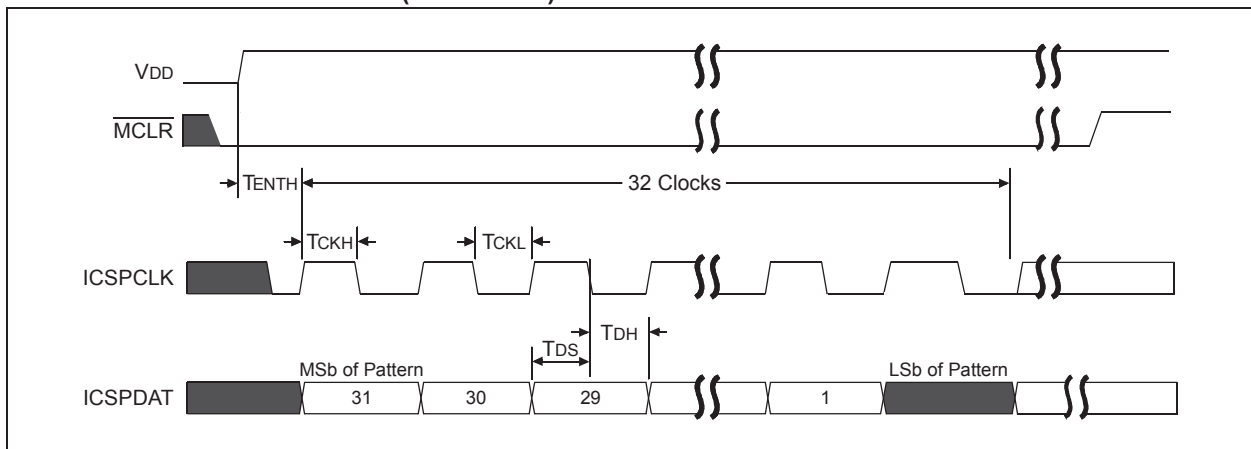


FIGURE 3-4: LVP ENTRY (POWERED)



Exiting Program/Verify mode is done by raising $\overline{\text{MCLR}}$ from below V_{IL} to V_{IH} level (or higher, up to VDD).

Note: To enter LVP mode, the MSb of the most significant nibble must be shifted in first. This differs from entering the key sequence on some other device families.

PIC18(L)F2X/4XK40

3.1.3 PROGRAM/VERIFY COMMANDS

Once a device has entered ICSP Program/Verify mode (using either high-voltage or LVP entry), the programming host device may issue nine commands to the microcontroller, each eight bits in length. The commands are summarized in Table 3-1. The commands are used to erase or program the device based on the location of the Program Counter (PC).

Some of the 8-bit commands also have a data payload associated with it (such as Load Data for NVM and Read Data from NVM).

If the programming host device issues an 8-bit command byte that has a data payload associated with it, the host device is responsible for sending an additional 24 clock pulses (for example, three 8-bit bytes) in order to send or receive the payload data associated with the command.

The payload field size is used so as to be compatible with many 8-bit SPI-based systems. Within each 24-bit payload field, the first bit transmitted is always a Start bit, followed by a variable number of Pad bits, followed by the useful data payload bits and ending with one Stop bit. The useful data payload bits are always transmitted Most Significant bit (MSb) first.

When the programming device issues a command that involves a host to microcontroller payload (for example, Load PC Address), the Start, Stop and Pad bits should all be driven by the programmer to '0'. When the programming host device issues a command that involves microcontroller to host payload data (for example, Read Data from NVM), the Start, Stop and Pad bits should be treated as "don't care" bits and the values should be ignored by the host.

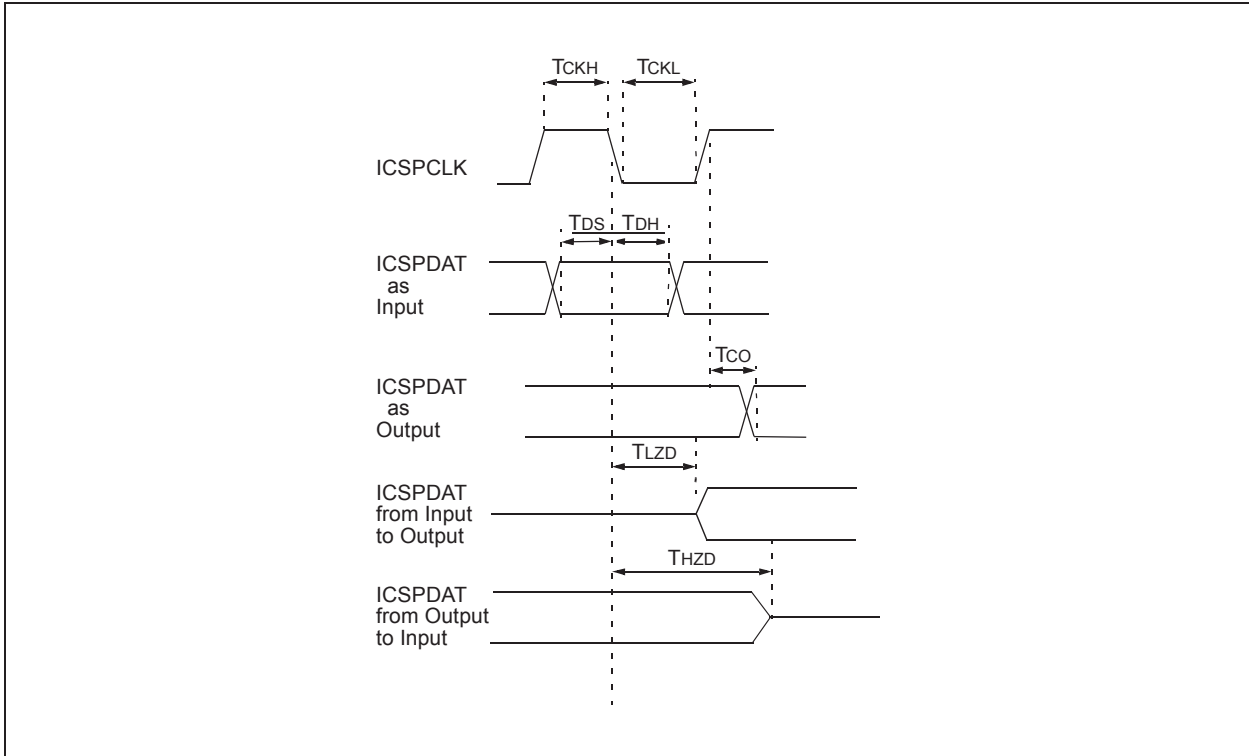
When the programming host device issues an 8-bit command byte to the microcontroller, the host should wait a minimum amount of delay (which is command-specific) prior to sending any additional clock pulses (associated with either a 24-bit data payload field or the next command byte).

TABLE 3-1: ICSP™ COMMAND SET SUMMARY

Command Name	Command Value		Payload Expected	Delay after Command	Data/Note
	Binary (MSb ... LSB)	Hex			
Load PC Address	1000 0000	80	Yes	TDLY	Payload value = PC
Bulk Erase Program Memory	0001 1000	18	No	TERAB	Depending on the current value of the PC, one or more memory regions.
Row Erase Program Memory	1111 0000	F0	No	TERAR	The row addressed by the MSBs of the PC is erased; LSBs are ignored.
Load Data for NVM	0000 00J0	00/02	Yes	TDLY	Data is loaded to the data latch addressed by the PC; J = 0: PC is unchanged J = 1: PC = PC + 2 after writing
Read Data from NVM	1111 11J0	FC/FE	Yes	TDLY	Data output '0' if code-protect is enabled; J = 0: PC is unchanged J = 1: PC = PC + 2 after reading
Increment Address	1111 1000	F8	No	TDLY	PC = PC + 2
Begin Internally Timed Programming	1110 0000	E0	No	TPINT	Commits latched data to NVM (self-timed).
Begin Externally Timed Programming	1100 0000	C0	No	TPEXT	Commits latched data to NVM (externally timed). After TPEXT, "End Externally Timed Programming" command must be issued.
End Externally Timed Programming	1000 0010	82	No	TDIS	Should be issued within required time delay (TPEXT) after "Begin Externally Timed Programming" command.

Note: All clock pulses for both the 8-bit commands and the 24-bit payload fields are generated by the host programming device. The microcontroller does not drive the ICSPCLK line. The ICSPDAT signal is a bidirectional data line. For all commands and payload fields, except the Read Data from NVM payload, the host programming device continuously drives the ICSPDAT line. Both the host programmer device and the microcontroller should latch received ICSPDAT values on the falling edge of the ICSPCLK line. When the microcontroller receives ICSPDAT line values from the host programmer, the ICSPDAT values must be valid a minimum of T_{DS} before the falling edges of ICSPCLK and should remain valid for a minimum of T_{DH} after the falling edge of ICSPCLK. See Figure 3-5.

FIGURE 3-5: CLOCK AND DATA TIMING



PIC18(L)F2X/4XK40

3.1.3.1 Load Data for NVM

The Load Data for NVM command is used to load one programming data latch (for example, one 16-bit instruction word for program memory/configuration memory/User ID memory or one 8-bit data for a Data EEPROM Memory address). The latched data is written into program or EEPROM memory after the Begin Internally Timed Programming or Begin Externally Timed Programming command is issued (see [Section 3.2 “Programming Algorithms”](#)). The Load Data for the NVM command can be used to load data for Program Flash Memory (PFM) (see [Figure 3-6](#)) or the Data EEPROM Memory (see [Figure 3-7](#)). Depending on the value of bit 1 of the command, the PC may or may not be incremented (see [Table 3-1](#)).

FIGURE 3-6: LOAD DATA FOR NVM (PFM)

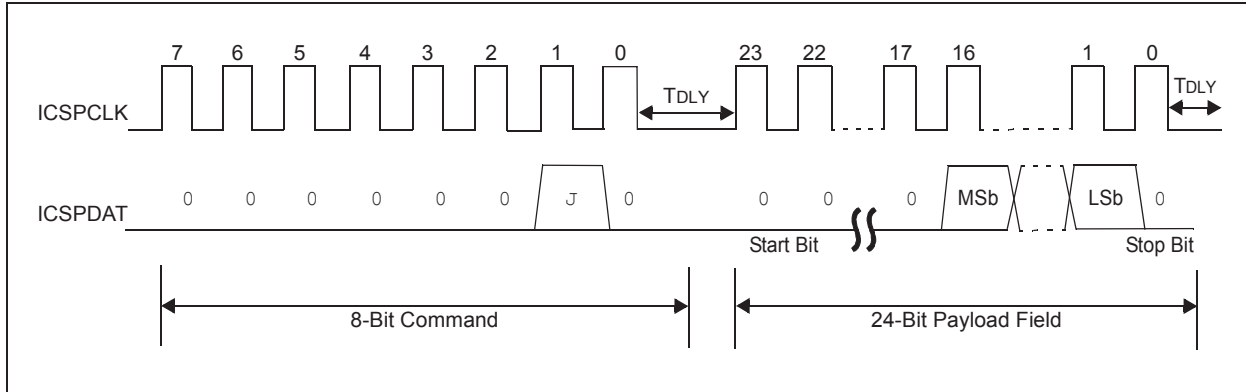
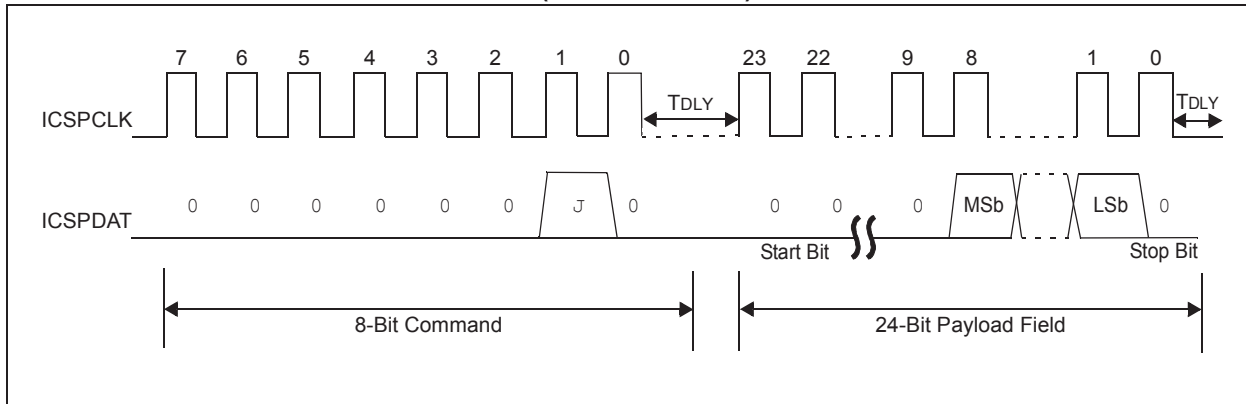


FIGURE 3-7: LOAD DATA FOR NVM (DATA EEPROM)



3.1.3.2 Read Data from NVM

The Read Data from NVM command will transmit data bits out of the current PC address. The ICSPDAT pin will go into Output mode on the first falling edge of the ICSP data payload clock and it will revert to Input mode (high-impedance) after the 24th falling edge of the ICSP data payload clock. The Start and Stop bits are only one-half-of-a-bit-time wide; therefore, they should be ignored by the host programmer device, since the latched value may be indeterminate. Additionally, the host programmer device should only consider the MSb to LSb payload bits as valid and should ignore the values of the Pad bits. If the program memory is code-protected (\overline{CP}), the data will be read as zeros (see Figure 3-8 and Figure 3-9). Depending on the value of bit<1> of the command, the PC may or may not be incremented (see Table 3-1). The Read Data for NVM command can be used to read data for Program Flash Memory (PFM) (see Figure 3-8) or the Data EEPROM Memory (see Figure 3-9).

FIGURE 3-8: READ DATA FROM NVM (PFM OR CONFIGURATION WORDS)

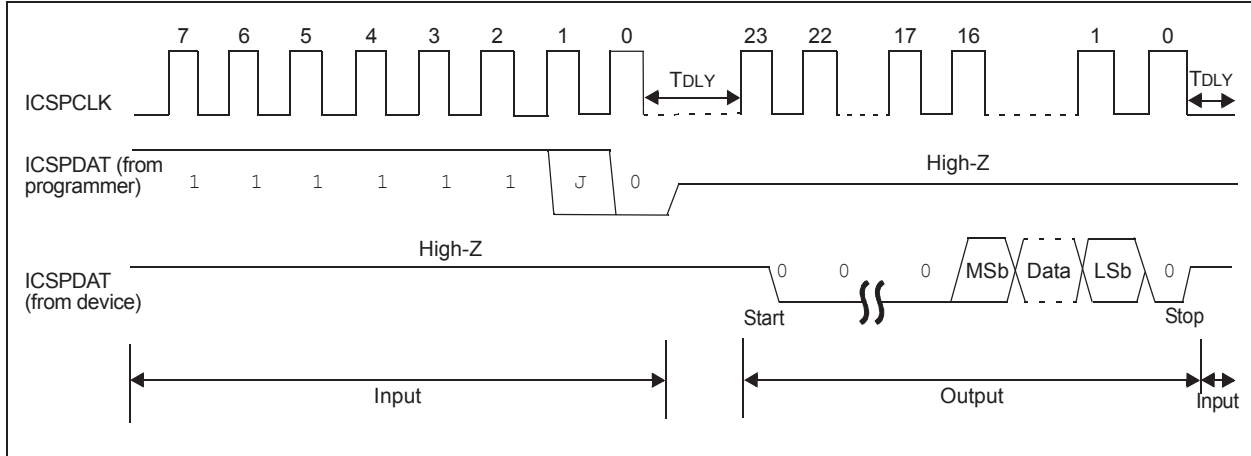
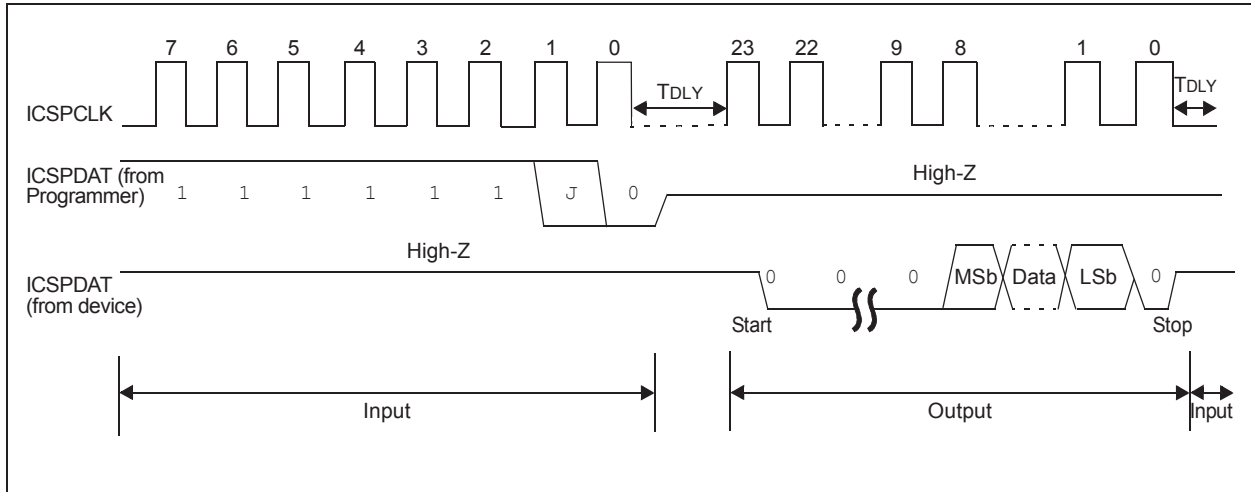


FIGURE 3-9: READ DATA FROM NVM (DATA EEPROM)

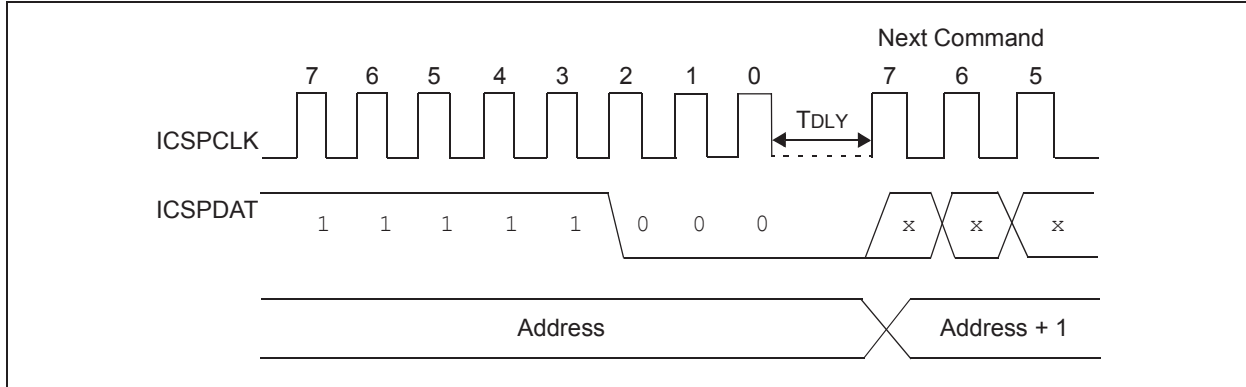


PIC18(L)F2X/4XK40

3.1.3.3 Increment Address

The address is incremented when this command is received. Depending on the current value of the Program Counter, the increment varies. If the PC points to PFM, then the PC is incremented by 2; if the PC points to data EEPROM, then it is incremented by 1. It is not possible to decrement the address. To reset this counter, the user must use the Load PC Address command.

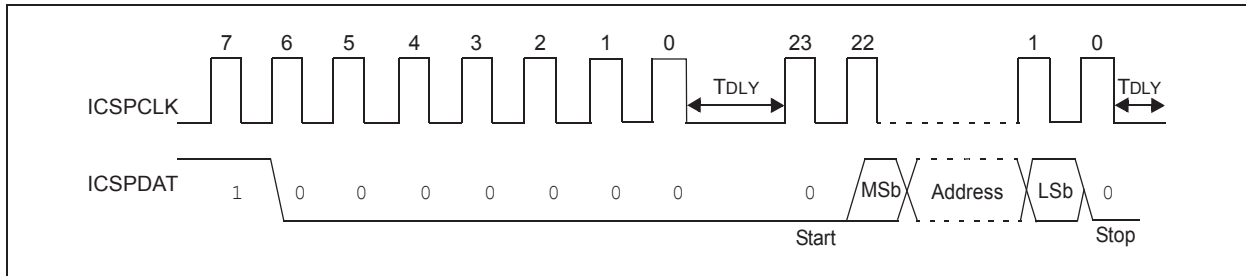
FIGURE 3-10: INCREMENT ADDRESS



3.1.3.4 Load PC Address

The PC value is set using the supplied data. The address implies the memory panel (PFM or Data EEPROM Memory) to be accessed (see Figure 3-11).

FIGURE 3-11: LOAD PC ADDRESS

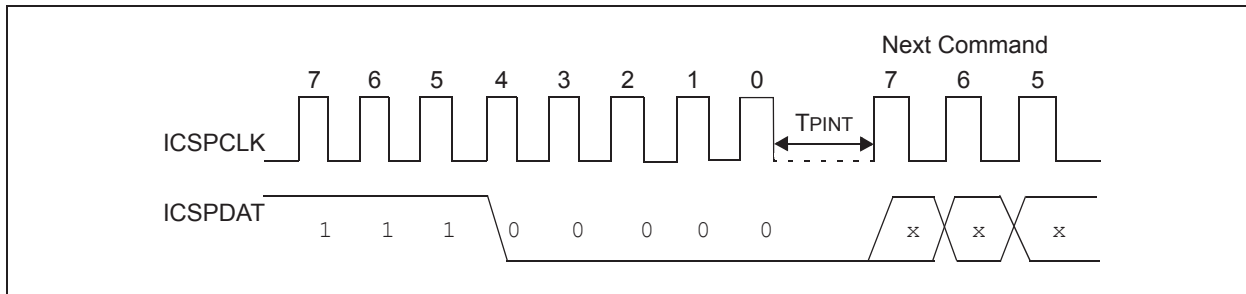


3.1.3.5 Begin Internally Timed Programming

The write programming latches must already have been loaded using the Write Data for NVM command, prior to issuing the Begin Programming command (see Section 3.2 “Programming Algorithms”). Programming of the addressed memory will begin after this command is received. An internal timing mechanism executes the write. The user must allow for the erase/write cycle time, TPINT, in order for the programming to complete, prior to issuing the next command byte (see Figure 3-12).

After the programming cycle is complete, all of the data latches are reset to '1'. The command is ignored when the fuse latched values of CP == 0 or CPD == 0 (i.e., if either device memory is currently protected).

FIGURE 3-12: BEGIN INTERNALLY TIMED PROGRAMMING

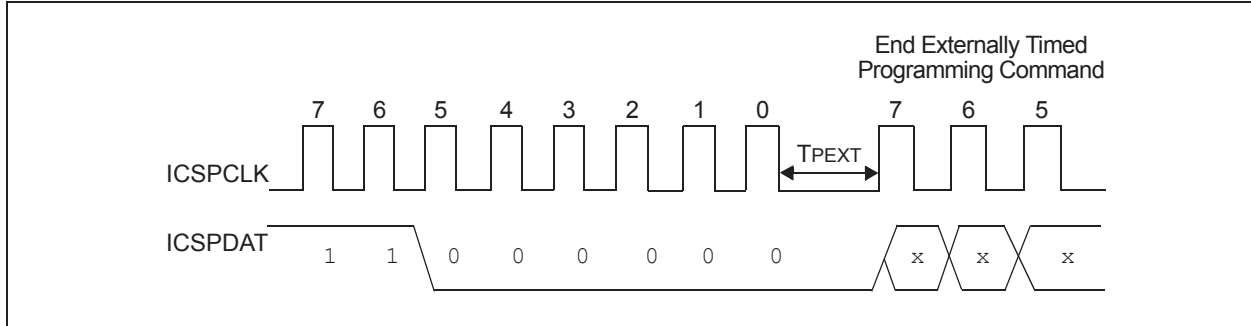


3.1.3.6 Begin Externally Timed Programming

Data to be programmed must be previously loaded by the Load Data for NVM command before every Begin Programming command. To complete the programming, the End Externally Timed Programming command must be sent in the specified time window defined by TPEXT (see Figure 3-13).

Externally timed writes are not supported for Configuration and Calibration bits. Any externally timed write to the Configuration or Calibration Word will have no effect on the targeted word.

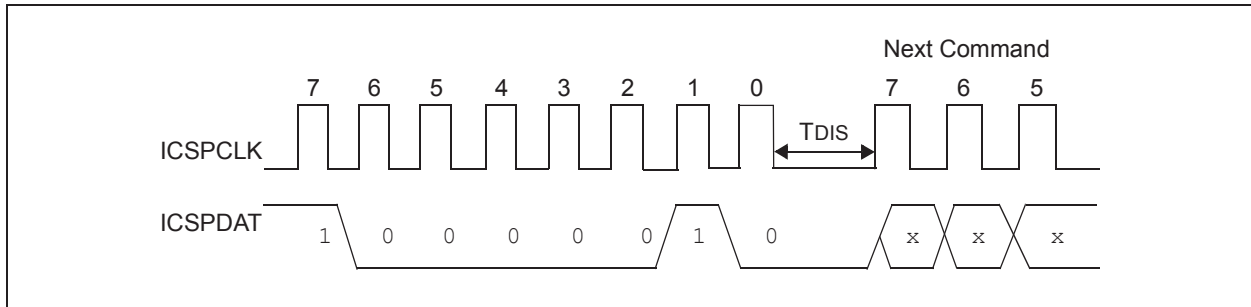
FIGURE 3-13: BEGIN EXTERNALLY TIMED PROGRAMMING



3.1.3.7 End Externally Timed Programming

This command is required to terminate the programming sequence after a Begin Externally Timed Programming command is given. If no programming command is in progress, or if the programming cycle is internally timed, this command will execute as a No Operation (NOP) (see Figure 3-14).

FIGURE 3-14: END EXTERNALLY TIMED PROGRAMMING



PIC18(L)F2X/4XK40

3.1.3.8 Bulk Erase Memory

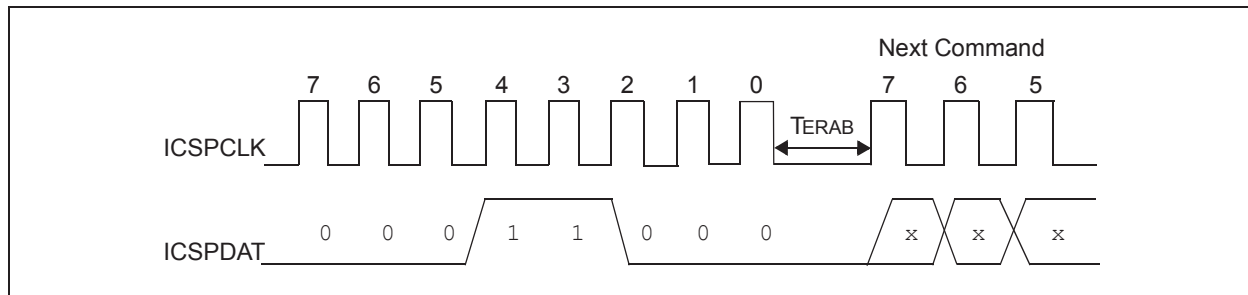
The Bulk Erase command affects specific portions of the memory depending on the initial value of the Program Counter. Whenever a Bulk Erase command is executed, the device will erase all bytes within the regions listed in [Table 3-2](#).

TABLE 3-2: BULK ERASE

Address	Area(s) Erased	
	$\overline{CP} = x$ and $\overline{CPD} = 1$ (both disabled)	$\overline{CP} = x$ or $\overline{CPD} = 0$ (either enabled)
00 0000h-01 FFFFh	Program Flash Memory Configuration Words	Program Flash Memory Data EEPROM Configuration Words
30 0000h-30 001Fh	Program Flash Memory User ID Words Configuration Words	Program Flash Memory Data EEPROM User ID Words Configuration Words
31 0000h-3F FFFFh	Data EEPROM Only	Data EEPROM Only

After receiving the Bulk Erase Memory command, the erase will not complete until the time interval, T_{ERAB} , has expired (see [Figure 3-15](#)). The programming host device should not issue another 8-bit command until after the T_{ERAB} interval has fully elapsed.

FIGURE 3-15: BULK ERASE MEMORY



3.1.3.9 Row Erase Memory

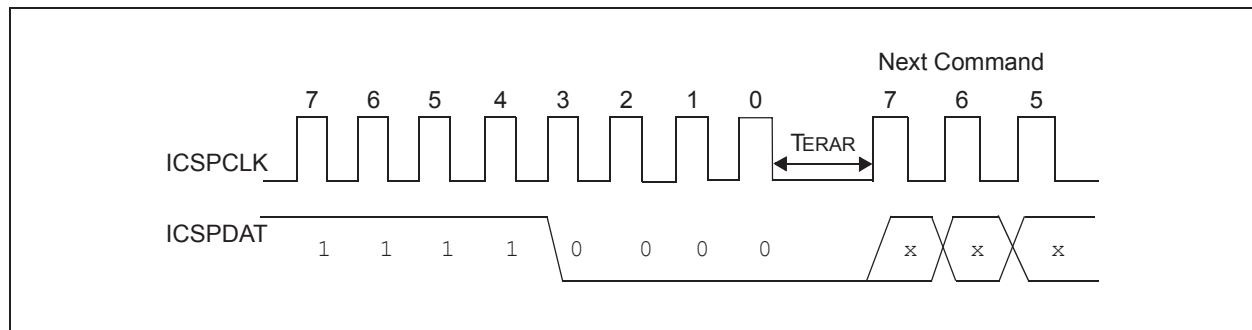
The Row Erase Memory command will erase an individual row based on the current address of the Program Counter. Write and erase operations are done on a row basis. Refer to [Table 3-3](#) for row size of erase and write operations for other devices in the PIC18(L)F2X/4XK40 family. For example, in the PIC18(L)F47K40 device, the row size (number of 16-bit words) for write/erase operation is 32, and the write latches per row (number of 8-bit latches) required for the write/erase operation is 64. If the program memory is code-protected, the Row Erase Program Memory command will be ignored.

The Flash memory row defined by the current PC will be erased. The user must wait T_{ERAR} for erasing to complete (see [Figure 3-16](#)).

TABLE 3-3: PROGRAM MEMORY ROW SIZES

Variant	Row Size (words)	Byte-Wide Write Latches per Row
PIC18(L)F24K40	32	64
PIC18(L)F25K40		
PIC18(L)F45K40		
PIC18(L)F26K40	32	64
PIC18(L)F46K40		
PIC18(L)F27K40	64	128
PIC18(L)F47K40		

FIGURE 3-16: ROW ERASE MEMORY



3.2 Programming Algorithms

The devices use internal latches to temporarily store the 16-bit words used for programming. The data latches allow the user to write the program words with a single Begin Internally Timed Programming or Begin Externally Timed Programming command. The Load Data for NVM command is used to load a single data latch. The data latch will hold the data until the Begin Internally Timed Programming or Begin Externally Timed Programming command is given.

The data latches are aligned with the LSBs of the address. The address used at the time the Begin Internally Timed Programming or Begin Externally Timed Programming command is given will determine which memory row is written. Writes cannot cross a physical row boundary. For example, attempting to write from address, 0002h-0021h, in a 32-latch device will result in data being written to 0020h-003Fh.

If more than the maximum number of latches is written without a Begin Internally Timed Programming or Begin Externally Timed Programming command, the data in the data latches will be overwritten. [Figure 3-17](#) through [Figure 3-22](#) show the recommended flowcharts for programming.

Note: The Program Flash Memory regions are programmed one row at a time ([Figure 3-18](#)), while the User ID and Configuration Words are programmed one word at a time ([Figure 3-19](#)). The EEPROM memory is programmed one byte at a time. Refer to [Table 3-3](#) for row size.

The value of the PC at the time of issuing the Begin Internally Timed Programming command determines what row (of Program Flash Memory or EEPROM) or what word (of User ID or Configuration Word) will get programmed.

PIC18(L)F2X/4XK40

FIGURE 3-17: DEVICE PROGRAM/VERIFY FLOWCHART

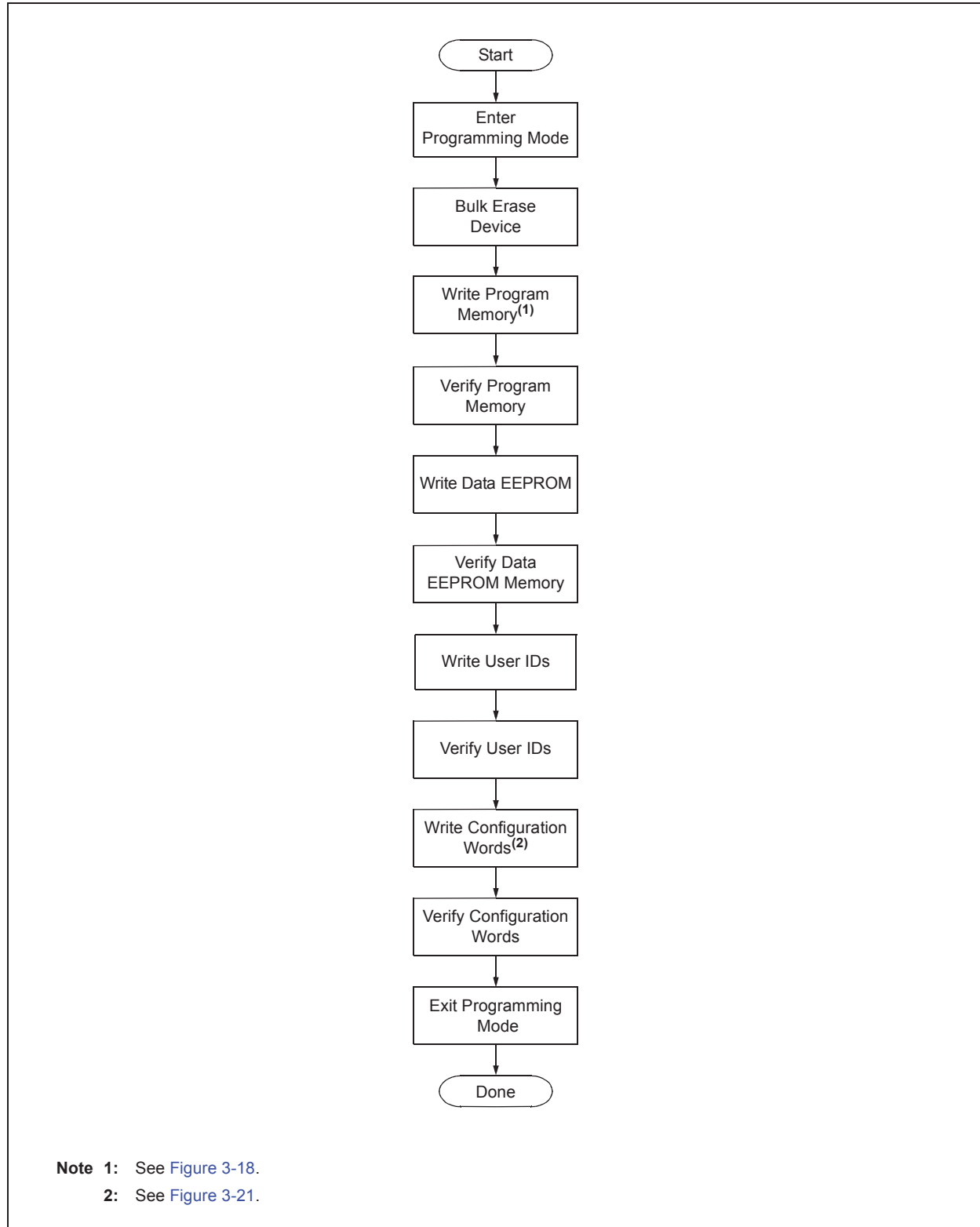


FIGURE 3-18: PROGRAM MEMORY FLOWCHART

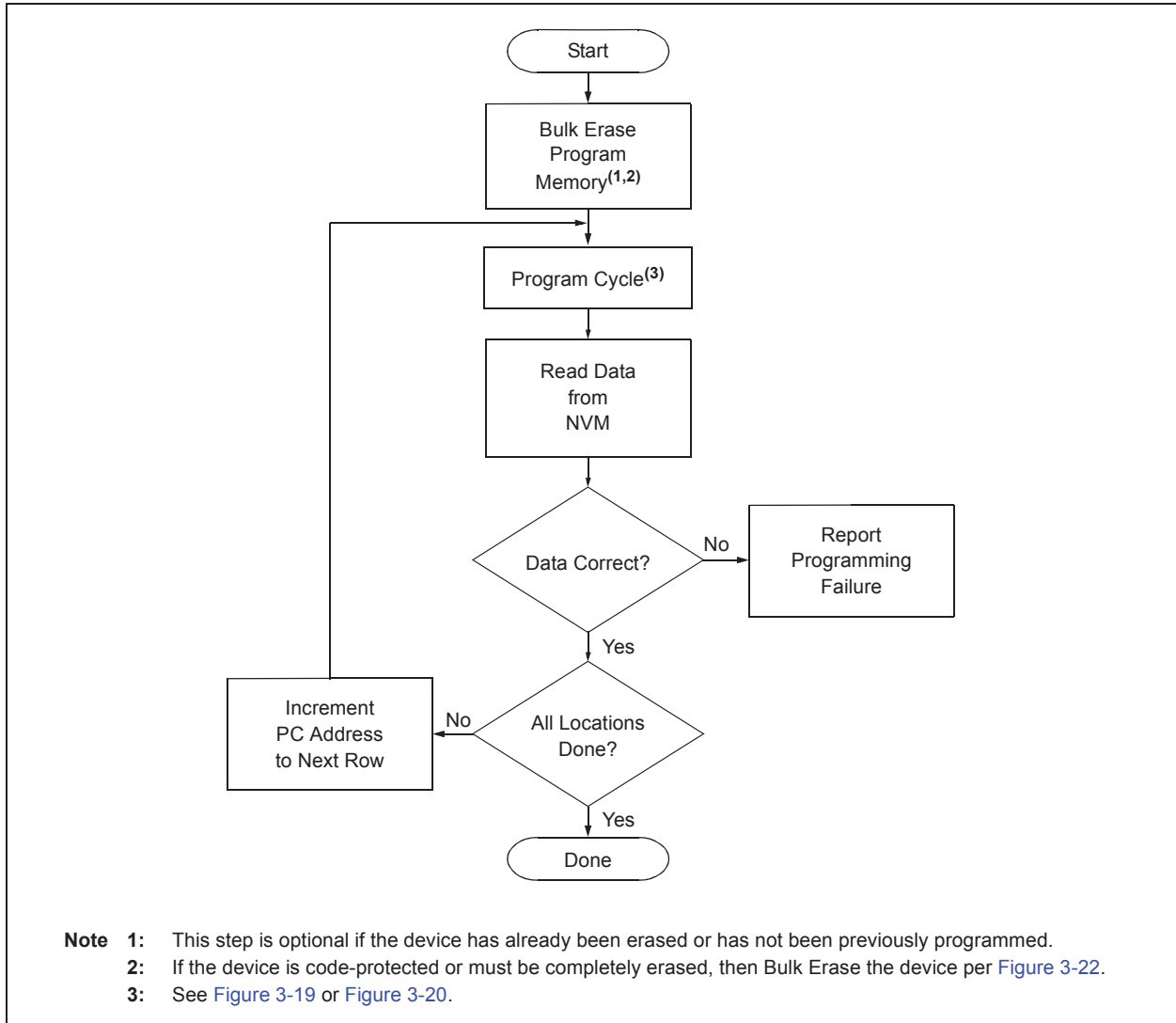
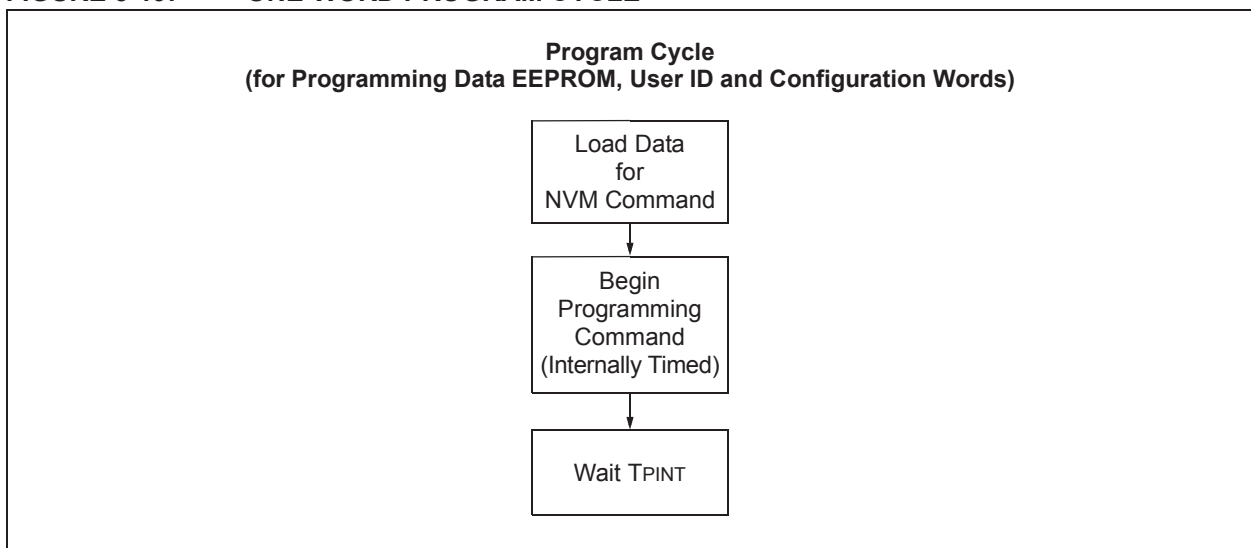


FIGURE 3-19: ONE-WORD PROGRAM CYCLE



PIC18(L)F2X/4XK40

FIGURE 3-20: MULTIPLE WORD PROGRAM CYCLE

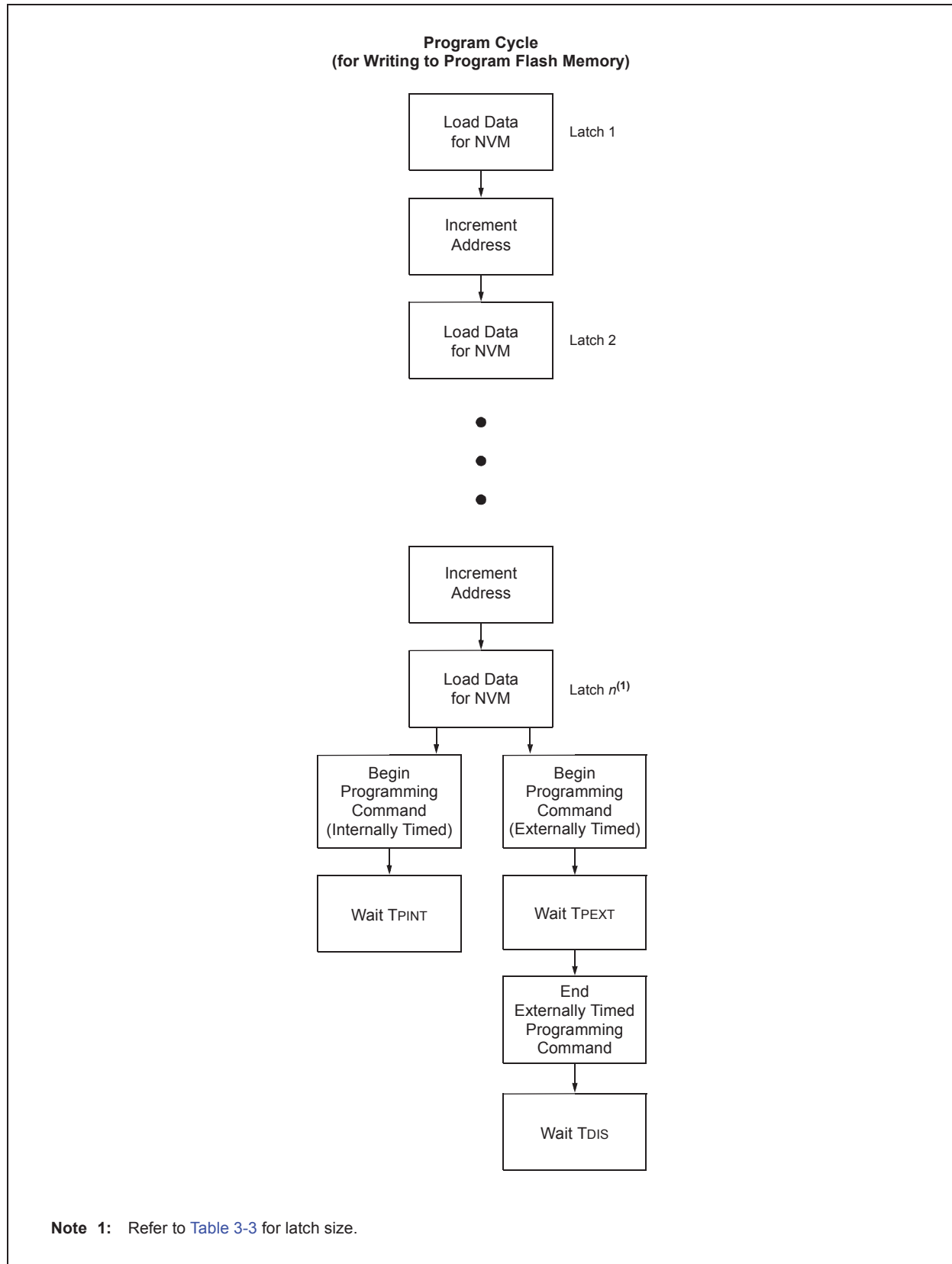
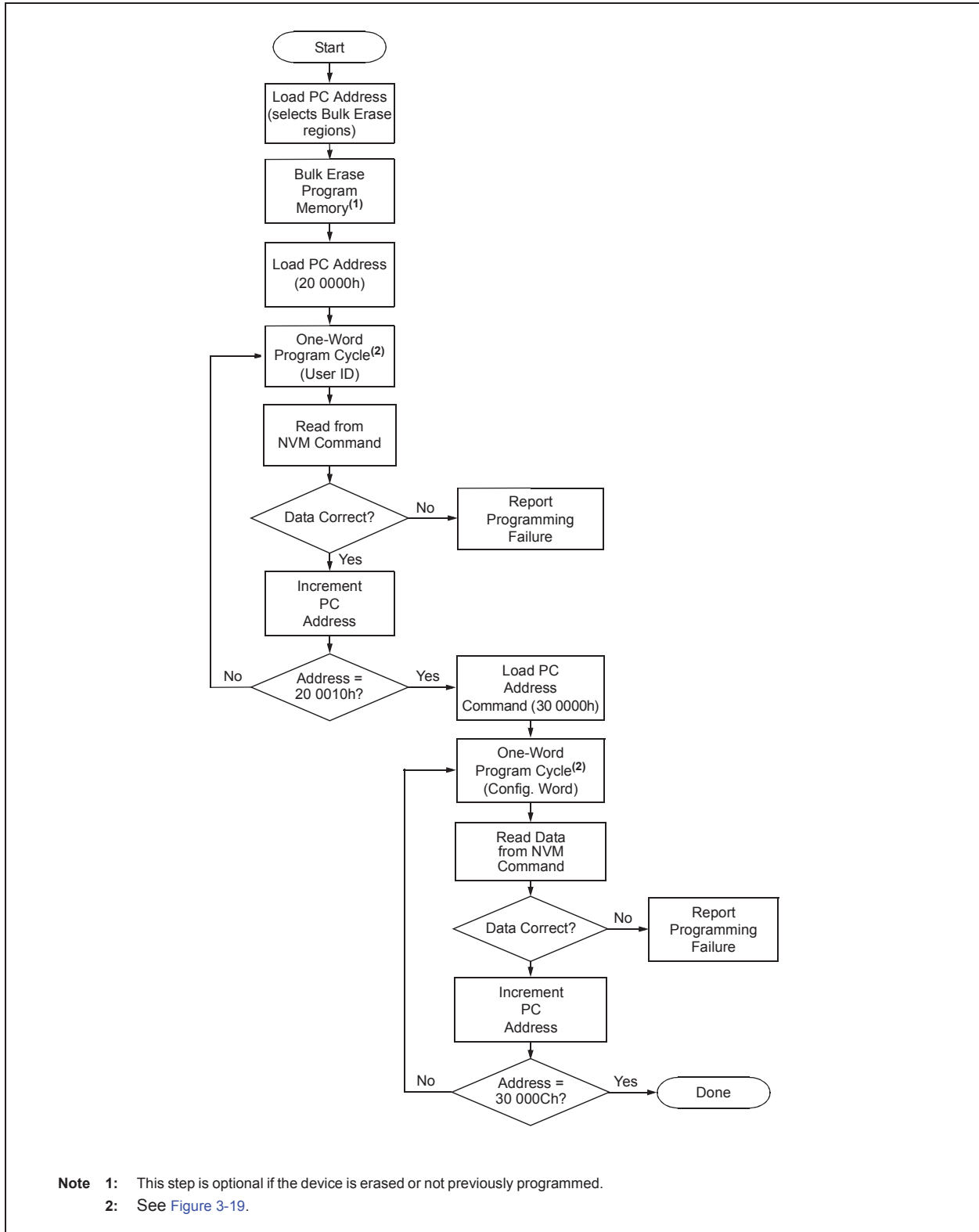
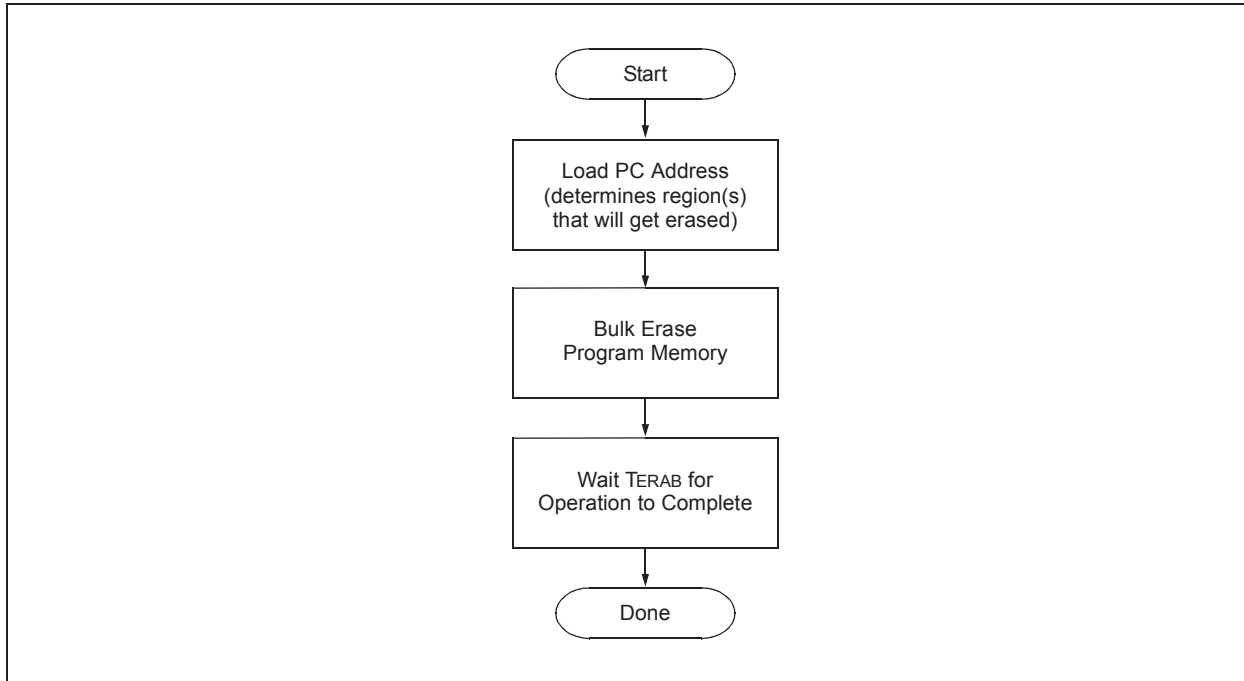


FIGURE 3-21: USER ID AND CONFIGURATION MEMORY PROGRAM FLOWCHART



PIC18(L)F2X/4XK40

FIGURE 3-22: BULK ERASE FLOWCHART



3.3 Code Protection

Code protection is controlled using the \overline{CP} bit. When code protection is enabled, all program memory locations read as '0'. Further programming is disabled for the program memory until the next Bulk Erase operation is performed. Program memory can still be programmed and read during program execution.

The User ID locations and Configuration Words can be programmed and read out regardless of the code protection settings.

3.3.1 PROGRAM MEMORY

Code protection is enabled by programming the \overline{CP} bit to '0'. The only way to disable code protection is to use the Bulk Erase Memory command (with the PC set to an address so as to Bulk Erase all program Flash contents).

3.3.2 DATA EEPROM MEMORY

Data EEPROM Memory protection is enabled by programming the \overline{CPD} bit to '0'. The only way to disable code protection is to use the Bulk Erase Memory command.

3.4 Hex File Usage

3.4.1 EMBEDDING CONFIGURATION WORD INFORMATION IN THE HEX FILE

To allow portability of code, a programmer is required to read the Configuration Word locations from the Hex file. If Configuration Word information is not present in the Hex file, then a simple warning message should be issued. Similarly, while saving a Hex file, all Configuration Word information must be included. An option to not include the Configuration Word information may be provided. When embedding Configuration Word information in the Hex file, it should start at address, 300000h.

Microchip Technology Inc. feels strongly that this feature is important for the benefit of the end customer.

3.4.2 EMBEDDING DATA EEPROM INFORMATION IN THE HEX FILE

To allow portability of code, a programmer is required to read the data EEPROM information from the Hex file. If data EEPROM information is not present, a simple warning message should be issued. Similarly, when saving a Hex file, all data EEPROM information must be included. An option to not include the data EEPROM information may be provided. When embedding data EEPROM information in the Hex file, it should start at address, F00000h.

Microchip Technology Inc. believes that this feature is important for the benefit of the end customer.

3.5 Checksum Computation

The checksum is calculated by two different methods, dependent on the setting of the \overline{CP} Configuration bit. Refer to [Appendix B](#) for checksum computation examples.

3.5.1 PROGRAM CODE PROTECTION DISABLED

With the program code protection disabled, the checksum is computed by reading the contents of the program memory locations and adding up the program memory data, starting at address, 00 0000h, up to the maximum user-addressable location (e.g., 01 FFFFh for the PIC18F47K40 device). Any Carry bits exceeding 16 bits are ignored. Additionally, the relevant bits of the Configuration Words are added to the checksum. All unimplemented Configuration bits are masked to '0'.

3.5.2 PROGRAM CODE PROTECTION ENABLED

The MPLAB® X IDE can compute the 16-bit checksum of the equivalent unprotected device and store it in the USER ID space. This option can be found in the project properties as shown in [Figure 3-23](#). The unprotected checksum is distributed one nibble per ID location. Each nibble is right justified. The unused USER ID locations are filled with 0x00 and are used to calculate the checksum.

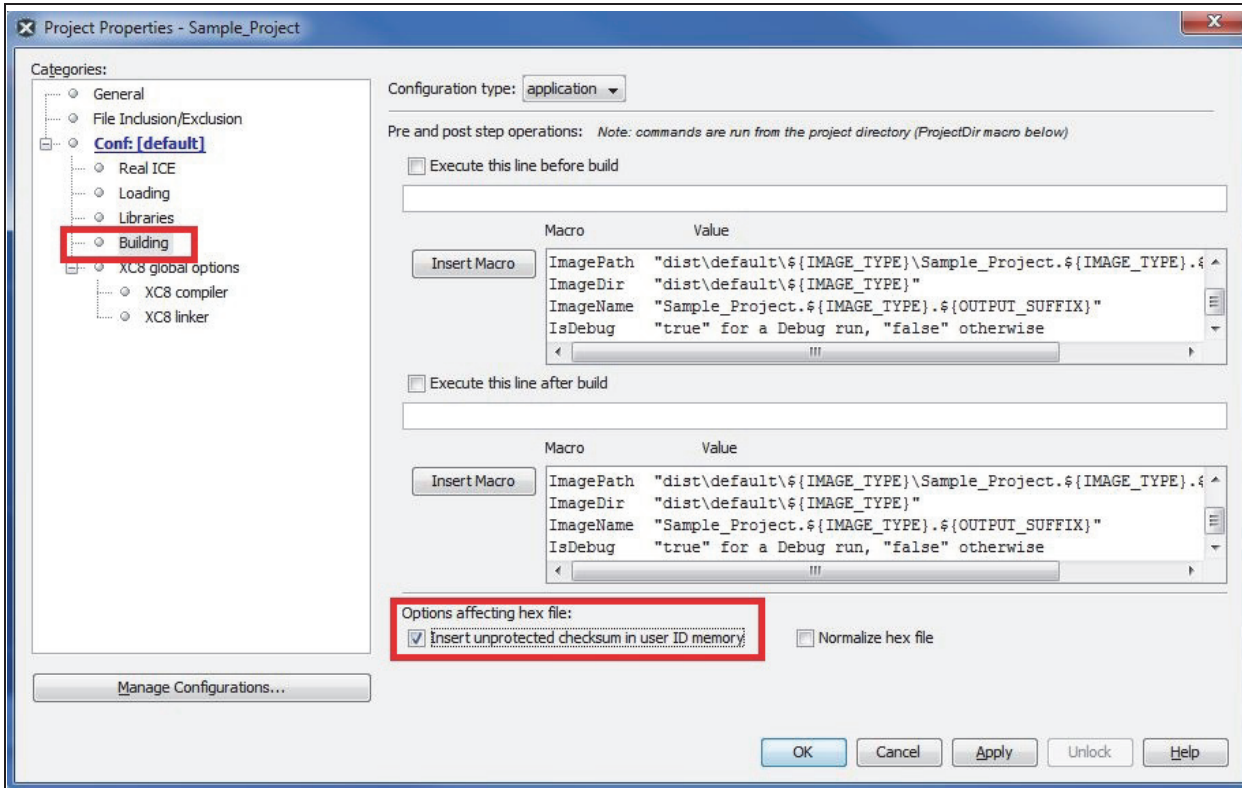
The checksum of a code-protected device is computed in the following manner:

- All of the User ID locations are added to create the sum ID
- The sum ID is then added to the Configuration bits
- All unimplemented Configuration bits are masked to '0'

Note: The checksum calculation differs depending on the code-protect setting. Since the code memory locations read out differently, depending on the code-protect setting, the examples in [Appendix B](#) describe how to manipulate the actual code memory values to simulate the values that would be read from a protected device. When calculating a checksum by reading a device, the entire code memory can simply be read and summed. The Configuration Word and ID locations can always be read.

PIC18(L)F2X/4XK40

FIGURE 3-23: MPLAB® X IDE CHECKSUM CALCULATION



3.6 Electrical Specifications

Refer to the device-specific data sheet for absolute maximum ratings.

TABLE 3-4: AC/DC CHARACTERISTICS TIMING REQUIREMENTS FOR PROGRAM/VERIFY MODE

AC/DC CHARACTERISTICS		Standard Operating Conditions Production tested at +25°C					
Sym.	Characteristics	Min.	Typ.	Max.	Units	Conditions/Comments	
Programming Supply Voltages and Currents							
VDD	Supply Voltage (VDDMIN, VDDMAX)	PICXXLFXXKXX	1.80	—	3.60	V	Note 1
		PICXXFXXKXX	2.30	—	5.50	V	
VPEW	Read/Write and Row Erase Operations	VDDMIN	—	VDDMAX	V		
VBE	Bulk Erase Operations	VBORMAX	—	VDDMAX	V	Note 2	
IDDI	Current on VDD, Idle	—	—	1.0	mA		
IDDP	Current on VDD, Programming	—	—	5.0	mA		
VPP							
IPP	Current on $\overline{\text{MCLR}}/\text{VPP}$	—	—	600	μA		
VIHH	High Voltage on $\overline{\text{MCLR}}/\text{VPP}$ for Program/Verify Mode Entry	7.9	—	9.0	V		
TVHHR	$\overline{\text{MCLR}}$ Rise Time (VIL to VIHH) for Program/Verify Mode Entry	—	—	1.0	μs		
I/O Pins							
VIH	(ICSPCLK, ICSPDAT, $\overline{\text{MCLR}}/\text{VPP}$) Input High Level	0.8 VDD	—	VDD	V		
VIL	(ICSPCLK, ICSPDAT, $\overline{\text{MCLR}}/\text{VPP}$) Input Low Level	VSS	—	0.2 VDD	V		
VOH	ICSPDAT Output High Level	VDD – 0.7	—	—	V	IOH = 6 mA, VDD = 3.0V	
VOL	ICSPDAT Output Low Level	—	—	VSS + 0.6	V	IOL = 10 mA, VDD = 3.0V	
Programming Mode Entry and Exit							
TENTS	Programming Mode Entry Setup Time: ICSPCLK, ICSPDAT Setup Time before VDD or $\overline{\text{MCLR}}\uparrow$	100	—	—	ns		
TENTH	Programming Mode Entry Hold Time: ICSPCLK, ICSPDAT Hold Time after VDD or $\overline{\text{MCLR}}\uparrow$	250	—	—	μs		
Serial Program/Verify							
TCKL	Clock Low Pulse Width	100	—	—	ns		
TCKH	Clock High Pulse Width	100	—	—	ns		
TDS	Data in Setup Time before Clock \downarrow	100	—	—	ns		
TDH	Data in Hold Time after Clock \downarrow	100	—	—	ns		
Tco	Clock \uparrow to Data Out Valid (during a Read Data command)	0	—	80	ns		

- Note 1:** Bulk Erased devices default to Brown-out Reset enabled with BORV = 1 (low trip point). VDDMIN is the VBOR threshold (with BORV = 1) when performing Low-Voltage Programming on a Bulk Erased device to ensure that the device is not held in Brown-out Reset.
- 2:** The hardware requires VDD to be above the BOR threshold, at the ~2.4V nominal setting, in order to perform Bulk Erase operations. This threshold does not depend on the BORV Configuration bit settings. The threshold is the same for both F and LF devices, even though the LF devices may not have a user-configurable ~2.4V nominal BOR trip point setting. Refer to the microcontroller device data sheet specifications for min./typ./max. limits of the VBOR level (at the BORV = 0 setting of F devices).
- 3:** Externally timed writes are not supported for Configuration and Calibration bits.

PIC18(L)F2X/4XK40

TABLE 3-4: AC/DC CHARACTERISTICS TIMING REQUIREMENTS FOR PROGRAM/VERIFY MODE (CONTINUED)

AC/DC CHARACTERISTICS		Standard Operating Conditions Production tested at +25°C				
Sym.	Characteristics	Min.	Typ.	Max.	Units	Conditions/Comments
TLZD	Clock↓ to Data Low-Impedance (during a Read Data command)	0	—	80	ns	
THZD	Clock↓ to Data High-Impedance (during a Read Data command)	0	—	80	ns	
TDLY	Data Input not Driven to Next Clock Input (delay required between command/data or command/command)	1.0	—	—	μs	
TERAB	Bulk Erase Cycle Time	—	—	25.2	ms	
TERAR	Row Erase Cycle Time	—	—	2.8	ms	
TPINT	Internally Timed Programming Operation Time	—	—	2.8	ms	Program memory
		—	—	5.6	ms	Configuration Words/ Data EEPROM Memory
TPEXT	Delay Required between Begin Externally Timed Programming and End Externally Timed Programming Commands	1.0	—	2.1	ms	Note 3
TDIS	Delay Required after End Externally Timed Programming Command	300	—	—	μs	
TEXT	Time Delay when Exiting Program/Verify Mode	1	—	—	μs	

- Note 1:** Bulk Erased devices default to Brown-out Reset enabled with BORV = 1 (low trip point). VDDMIN is the VBOR threshold (with BORV = 1) when performing Low-Voltage Programming on a Bulk Erased device to ensure that the device is not held in Brown-out Reset.
- 2:** The hardware requires VDD to be above the BOR threshold, at the ~2.4V nominal setting, in order to perform Bulk Erase operations. This threshold does not depend on the BORV Configuration bit settings. The threshold is the same for both F and LF devices, even though the LF devices may not have a user-configurable ~2.4V nominal BOR trip point setting. Refer to the microcontroller device data sheet specifications for min./typ./max. limits of the VBOR level (at the BORV = 0 setting of F devices).
- 3:** Externally timed writes are not supported for Configuration and Calibration bits.

APPENDIX A: REVISION HISTORY

Revision A (11/2014)

Initial release of the document.

Revision B (09/2015)

Updated Table 3-2, Table B-1 and Table B-2; updated Example B-1 through Example B-4; updated Register B-1 and Register B-6. Minor updates to text and formatting were incorporated throughout the document.

Revision C (02/2017)

Updated section 3.5.2 Program Code protection Enabled. Added Figure 3-23. Updated Table B-2, Example B-2, Example B-4. Updated Register B-1, Register B-4. Minor updates to text and formatting were incorporated throughout the document.

APPENDIX B: PIC18(L)F2X/4XK40 DEVICE ID, CHECKSUMS AND PINOUT DESCRIPTIONS

TABLE B-1: CONFIGURATION WORD AND MASK

Device	Device ID	Config. 1L		Config. 1H		Config. 2L		Config. 2H		Config. 3L		Config. 3H		Config. 4L		Config. 4H		Config. 5L			Config. 5H			Config. 6L		Config. 6H	
		Word (Hex)	Mask (Hex)	Word (Hex)	Mask (Hex)	Word (Hex)	Mask (Hex)	Word (Hex)	Mask (Hex)	Word (Hex)	Mask (Hex)	Word (Hex)	Mask (Hex)	Word (Hex)	Mask (Hex)	Word (Hex)	Mask (Hex)	Unprotected	Code-Protected	Mask (Hex)	Unprotected	Code-Protected	Mask (Hex)	Word	Mask (Hex)	Word	Mask (Hex)
PIC18F47K40	6900h	FF	77	FF	29	FF	E3	FF	BF	FF	7F	FF	3F	FF	FF	FF	37	FF	FE	03	FF	FF	00	FF	FF	FF	02
PIC18F46K40	6920h	FF	77	FF	29	FF	E3	FF	BF	FF	7F	FF	3F	FF	0F	FF	37	FF	FE	03	FF	FF	00	FF	0F	FF	02
PIC18F45K40	6940h	FF	77	FF	29	FF	E3	FF	BF	FF	7F	FF	3F	FF	0F	FF	37	FF	FE	03	FF	FF	00	FF	0F	FF	02
PIC18F27K40	6960h	FF	77	FF	29	FF	E3	FF	BF	FF	7F	FF	3F	FF	FF	FF	37	FF	FE	03	FF	FF	00	FF	FF	FF	02
PIC18F26K40	6980h	FF	77	FF	29	FF	E3	FF	BF	FF	7F	FF	3F	FF	0F	FF	37	FF	FE	03	FF	FF	00	FF	0F	FF	02
PIC18F25K40	69A0h	FF	77	FF	29	FF	E3	FF	BF	FF	7F	FF	3F	FF	0F	FF	37	FF	FE	03	FF	FF	00	FF	0F	FF	02
PIC18F24K40	69C0h	FF	77	FF	29	FF	E3	FF	BF	FF	7F	FF	3F	FF	03	FF	37	FF	FE	03	FF	FF	00	FF	03	FF	02
PIC18LF47K40	69E0h	FF	77	FF	29	FF	E3	FF	BF	FF	7F	FF	3F	FF	FF	FF	37	FF	FE	03	FF	FF	00	FF	FF	FF	02
PIC18LF46K40	6A00h	FF	77	FF	29	FF	E3	FF	BF	FF	7F	FF	3F	FF	0F	FF	37	FF	FE	03	FF	FF	00	FF	0F	FF	02
PIC18LF45K40	6A20h	FF	77	FF	29	FF	E3	FF	BF	FF	7F	FF	3F	FF	0F	FF	37	FF	FE	03	FF	FF	00	FF	0F	FF	02
PIC18LF27K40	6A40h	FF	77	FF	29	FF	E3	FF	BF	FF	7F	FF	3F	FF	FF	FF	37	FF	FE	03	FF	FF	00	FF	FF	FF	02
PIC18LF26K40	6A60h	FF	77	FF	29	FF	E3	FF	BF	FF	7F	FF	3F	FF	0F	FF	37	FF	FE	03	FF	FF	00	FF	0F	FF	02
PIC18LF25K40	6A80h	FF	77	FF	29	FF	E3	FF	BF	FF	7F	FF	3F	FF	0F	FF	37	FF	FE	03	FF	FF	00	FF	0F	FF	02
PIC18LF24K40	6AA0h	FF	77	FF	29	FF	E3	FF	BF	FF	7F	FF	3F	FF	03	FF	37	FF	FE	03	FF	FF	00	FF	03	FF	02

PIC18(L)F2X/4XK40

TABLE B-2: CHECKSUM VALUES

Device	Checksum			
	Unprotected		Code-Protected	
	Blank	AAh at First and Last Address	Blank	AAh at First and Last Address
PIC18F47K40	053A	0490	054B	0546
PIC18F46K40	035A	02B0	036B	0366
PIC18F45K40	835A	82B0	0373	036E
PIC18F27K40	053A	0490	054B	0546
PIC18F26K40	035A	02B0	036B	0366
PIC18F25K40	835A	82B0	0373	036E
PIC18F24K40	C342	C298	0356	0360
PIC18LF47K40	053A	0490	054B	0546
PIC18LF46K40	035A	02B0	036B	0366
PIC18LF45K40	835A	82B0	0373	036E
PIC18LF27K40	053A	0490	054B	0546
PIC18LF26K40	035A	02B0	036B	0366
PIC18LF25K40	835A	82B0	0373	036E
PIC18LF24K40	C342	C298	0356	0360

PIC18(L)F2X/4XK40

EXAMPLE B-1: CHECKSUM COMPUTED WITH PROGRAM CODE PROTECTION DISABLED: PIC18(L)F24K40, BLANK DEVICE

PIC18(L)F24K40	Sum of Memory Addresses from 0000h to 3FFFh	C000h (4000h * 00FFh)
	Configuration Word 1L	FFh
	Configuration Word 1L Mask	77h
	Configuration Word 1H	FFh
	Configuration Word 1H Mask	29h
	Configuration Word 2L	FFh
	Configuration Word 2L Mask	E3h
	Configuration Word 2H	FFh
	Configuration Word 2H Mask	BFh
	Configuration Word 3L	FFh
	Configuration Word 3L Mask	7Fh
	Configuration Word 3H	FFh
	Configuration Word 3H Mask	3Fh
	Configuration Word 4L	03h
	Configuration Word 4L Mask	FFh
	Configuration Word 4H	FFh
	Configuration Word 4H Mask	37h
	Configuration Word 5L Unprotected	FFh
	Configuration Word 5L Mask	03h
	Configuration Word 5H Unprotected	FFh
	Configuration Word 5H Mask	00h
	Configuration Word 6L	FFh
	Configuration Word 6L Mask	03h
	Configuration Word 6H	FFh
	Configuration Word 6H Mask	02h
	 Checksum = C000h + (FFh AND 77h) + (FFh AND 29h) + (FFh AND E3h) + (FFh AND BFh) + (FFh AND 7Fh) + (FFh AND 3Fh) + (FFh AND 03h) + (FFh AND 37h) + (FFh AND 03h) + (FFh AND 00h) + (FFh AND 03h) + (FFh AND 02h) = C000h + 77h + 29h + E3h + BFh + 7Fh + 3Fh + 03h + 37h + 03h + 00h + 03h + 02h = C342h	

PIC18(L)F2X/4XK40

EXAMPLE B-2: CHECKSUM COMPUTED WITH PROGRAM CODE PROTECTION DISABLED: PIC18(L)F24K40, AAh AT FIRST AND LAST ADDRESS

PIC18(L)F24K40	Sum of Memory Addresses from 0000h to 3FFFh	BF56h (AAh + (3FFEh * 00FFh) + AAh)
	Configuration Word 1L	FFh
	Configuration Word 1L Mask	77h
	Configuration Word 1H	FFh
	Configuration Word 1H Mask	29h
	Configuration Word 2L	FFh
	Configuration Word 2L Mask	E3h
	Configuration Word 2H	FFh
	Configuration Word 2H Mask	BFh
	Configuration Word 3L	FFh
	Configuration Word 3L Mask	7Fh
	Configuration Word 3H	FFh
	Configuration Word 3H Mask	3Fh
	Configuration Word 4L	FFh
	Configuration Word 4L Mask	03h
	Configuration Word 4H	FFh
	Configuration Word 4H Mask	37h
	Configuration Word 5L Unprotected	FFh
	Configuration Word 5L Mask	03h
	Configuration Word 5H Unprotected	FFh
	Configuration Word 5H Mask	00h
	Configuration Word 6L	FFh
	Configuration Word 6L Mask	03h
	Configuration Word 6H	FFh
	Configuration Word 6H Mask	02h
	 Checksum = BF56h + (FFh AND 77h) + (FFh AND 29h) + (FFh AND E3h) + (FFh AND BFh) + (FFh AND 7Fh) + (FFh AND 3Fh) + (FFh AND 03h) + (FFh AND 37h) + (FFh AND 03h) + (FFh AND 00h) + (FFh AND 03h) + (FFh AND 02h) = BF56h + 77h + 29h + E3h + BFh + 7Fh + 3Fh + 03h + 37h + 03h + 00h + 03h + 02h = C298h	

PIC18(L)F2X/4XK40

EXAMPLE B-3: CHECKSUM COMPUTED WITH PROGRAM CODE PROTECTION ENABLED: PIC18(L)F24K40, BLANK DEVICE

PIC18(L)F24K40	Configuration Word 1L	FFh
	Configuration Word 1L Mask	77h
	Configuration Word 1H	FFh
	Configuration Word 1H Mask	29h
	Configuration Word 2L	FFh
	Configuration Word 2L Mask	E3h
	Configuration Word 2H	FFh
	Configuration Word 2H Mask	BFh
	Configuration Word 3L	FFh
	Configuration Word 3L Mask	7Fh
	Configuration Word 3H	FFh
	Configuration Word 3H Mask	3Fh
	Configuration Word 4L	FFh
	Configuration Word 4L Mask	03h
	Configuration Word 4H	FFh
	Configuration Word 4H Mask	37h
	Configuration Word 5L Protected	FEh
	Configuration Word 5L Mask	03h
	Configuration Word 5H Protected	FFh
	Configuration Word 5H Mask	00h
	Configuration Word 6L	FFh
	Configuration Word 6L Mask	03h
	Configuration Word 6H	FFh
	Configuration Word 6H Mask	02h

$$\begin{aligned}\text{Checksum} &= (\text{FFh AND } 77\text{h}) + (\text{FFh AND } 29\text{h}) + (\text{FFh AND } \text{E3h}) + (\text{FFh AND } \text{BFh}) \\ &\quad + (\text{FFh AND } 7\text{Fh}) + (\text{FFh AND } 3\text{Fh}) + (\text{FFh AND } 03\text{h}) + (\text{FFh AND } 37\text{h}) \\ &\quad + (\text{FEh AND } 03\text{h}) + (\text{FFh AND } 00\text{h}) + (\text{FFh AND } 03\text{h}) + (\text{FFh AND } 02\text{h}) + \text{SUM_ID} \\ &= 77\text{h} + 29\text{h} + \text{E3h} + \text{BFh} + 7\text{Fh} + 3\text{Fh} + 03\text{h} + 37\text{h} + 02\text{h} + 00\text{h} + 03\text{h} + 02\text{h} + 0015\text{h} \\ &= 0356\text{h}\end{aligned}$$

SUM_ID = Bitwise sum of lower four bits of all User ID locations

SUM_ID = 000Ch + 0003h + 0004h + 0002h + 0000h + 0000h + 0000h + 0000h = 0015h

**EXAMPLE B-4: CHECKSUM COMPUTED WITH PROGRAM CODE PROTECTION ENABLED:
PIC18(L)F24K40, AAh AT FIRST AND LAST ADDRESS**

PIC18(L)F24K40	Configuration Word 1L	FFh
	Configuration Word 1L Mask	77h
	Configuration Word 1H	FFh
	Configuration Word 1H Mask	29h
	Configuration Word 2L	FFh
	Configuration Word 2L Mask	E3h
	Configuration Word 2H	FFh
	Configuration Word 2H Mask	BFh
	Configuration Word 3L	FFh
	Configuration Word 3L Mask	7Fh
	Configuration Word 3H	FFh
	Configuration Word 3H Mask	3Fh
	Configuration Word 4L	FFh
	Configuration Word 4L Mask	03h
	Configuration Word 4H	FFh
	Configuration Word 4H Mask	37h
	Configuration Word 5L Protected	FEh
	Configuration Word 5L Mask	03h
	Configuration Word 5H Protected	FFh
	Configuration Word 5H Mask	00h
	Configuration Word 6L Protected	FFh
	Configuration Word 6L Mask	03h
	Configuration Word 6H Protected	FFh
	Configuration Word 6H Mask	02h
	Checksum = (FFh AND 77h) + (FFh AND 29h) + (FFh AND E3h) + (FFh AND BFh)	
	+ (FFh AND 7Fh) + (FFh AND 3Fh) + (FFh AND 03h) + (FFh AND 37h)	
	+ (FEh AND 03h) + (FFh AND 00h) + (FFh AND 03h) + (FFh AND 02h) + SUM_ID	
= 77h + 29h + E3h + BFh + 7Fh + 3Fh + 03h + 37h + 02h + 00h + 03h + 02h + 001Fh		
= 0360h		
SUM_ID = Bitwise sum of lower four bits of all User ID locations		
SUM_ID = 000Ch + 0002h + 0009h + 0008h + 0000h + 0000h + 0000h + 0000h = 001Fh		

PIC18(L)F2X/4XK40

TABLE B-3: PROGRAMMING PIN LOCATIONS BY PACKAGE TYPE

Device	Package	Package Code	Package Drawing Number ⁽¹⁾	VDD	VSS	MCLR		ICSPCLK		ICSPDAT	
				PIN	PIN	PIN	PORT	PIN	PORT	PIN	PORT
PIC18(L)F24K40	28-Pin SPDIP	(SP)	C04-070	20	19,8	1	RE3	27	RB6	28	RB7
PIC18(L)F25K40	28-Pin SOIC	(SO)	C04-052	20	19,8	1	RE3	27	RB6	28	RB7
	28-Pin SSOP	(SS)	C04-073	20	19,8	1	RE3	27	RB6	28	RB7
	28-Pin QFN	(ML)	C04-105	17	16,5	26	RE3	24	RB6	25	RB7
PIC18(L)F45K40	28-Pin UQFN	(MV)	C04-152	17	16,5	26	RE3	24	RB6	25	RB7
	40-Pin PDIP	(P)	C04-016	32,11	31,12	1	RE3	39	RB6	40	RB7
	40-Pin UQFN	(MV)	C04-156	26,7	27,6	16	RE3	14	RB6	15	RB7
	44-Pin TQFP	(PT)	C04-076	28,7	29,6	18	RE3	16	RB6	17	RB7
	44-Pin QFN	(ML)	C04-103	28,8,7	31,30,6	18	RE3	16	RB6	17	RB7
	28-Pin SPDIP	(SP)	C04-070	20	19,8	1	RE3	27	RB6	28	RB7
PIC18(L)F26K40	28-Pin SOIC	(SO)	C04-052	20	19,8	1	RE3	27	RB6	28	RB7
	28-Pin SSOP	(SS)	C04-073	20	19,8	1	RE3	27	RB6	28	RB7
	28-Pin QFN	(ML)	C04-105	17	16,5	26	RE3	24	RB6	25	RB7
PIC18(L)F46K40	28-Pin UQFN	(MV)	C04-152	17	16,5	26	RE3	24	RB6	25	RB7
	40-Pin PDIP	(P)	C04-016	32,11	31,12	1	RE3	39	RB6	40	RB7
	40-Pin UQFN	(MV)	C04-156	26,7	27,6	16	RE3	14	RB6	15	RB7
	44-Pin TQFP	(PT)	C04-076	28,7	29,6	18	RE3	16	RB6	17	RB7
	44-Pin QFN	(ML)	C04-103	28,8,7	31,30,6	18	RE3	16	RB6	17	RB7
PIC18(L)F27K40	28-Pin SPDIP	(SP)	C04-070	20	19,8	1	RE3	27	RB6	28	RB7
	28-Pin SOIC	(SO)	C04-052	20	19,8	1	RE3	27	RB6	28	RB7
	28-Pin SSOP	(SS)	C04-073	20	19,8	1	RE3	27	RB6	28	RB7
	28-Pin QFN	(ML)	C04-105	17	16,5	26	RE3	24	RB6	25	RB7
PIC18(L)F47K40	40-Pin PDIP	(P)	C04-016	32,11	31,12	1	RE3	39	RB6	40	RB7
	40-Pin UQFN	(MV)	C04-156	26,7	27,6	16	RE3	14	RB6	15	RB7
	44-Pin TQFP	(PT)	C04-076	28,7	29,6	18	RE3	16	RB6	17	RB7
	44-Pin QFN	(ML)	C04-103	28,8,7	31,30,6	18	RE3	16	RB6	17	RB7

Note 1: The most current package drawings can be found in the Microchip Packaging Specification, DS0000049, found at <http://www.microchip.com/packaging>. The drawing numbers listed above do not include the current revision designator which is added at the end of the number.

TABLE B-4: SUMMARY OF CONFIGURATION WORDS

Address	Name	Bit 7	Bit 6	Bit 5	Bit 4	Bit 3	Bit 2	Bit 1	Bit 0	Default/ Unprogrammed Value
30 0000h	CONFIG 1L	—	RSTOSC2	RSTOSC1	RSTOSC0	—	FEXTOSC2	FEXTOSC1	FEXTOSC0	1111 1111
30 0001h	CONFIG 1H	—	—	FCMEN	—	CSWEN	—	—	$\overline{\text{CLKOUTEN}}$	1111 1111
30 0002h	CONFIG 2L	BOREN1	BOREN0	$\overline{\text{LPBOREN}}$	—	—	—	$\overline{\text{PWRTÉ}}$	MCLRE	1111 1111
30 0003h	CONFIG 2H	$\overline{\text{XINST}}$	—	$\overline{\text{DEBUG}}$	STVREN	PPS1WAY	ZCDDIS	BORV1	BORV0	1111 1111
30 0004h	CONFIG 3L	—	WDTE1	WDTE0	WDTCP4	WDTCP3	WDTCP2	WDTCP1	WDTCP0	1111 1111
30 0005h	CONFIG 3H	—	—	WDTCCS2	WDTCCS1	WDTCCS0	WDTCWS2	WDTCWS1	WDTCWS0	1111 1111
30 0006h	CONFIG 4L	WRT7	WRT6	WRT5	WRT4	WRT3	WRT2	WRT1	WRT0	1111 1111
30 0007h	CONFIG 4H	—	—	LVP	SCANE	—	WRD	WRB	WRC	1111 1111
30 0008h	CONFIG 5L	—	—	—	—	—	—	$\overline{\text{CPD}}$	$\overline{\text{CP}}$	1111 1111
30 000Ah	CONFIG 6L	EBTR7	EBTR6	EBTR5	EBTR4	EBTR3	EBTR2	EBTR1	EBTR0	1111 1111
30 000Bh	CONFIG 6H	—	—	—	—	—	—	EBTRB	—	1111 1111

PIC18(L)F2X/4XK40

REGISTER B-1: CONFIGURATION WORD 1L (30 0000h) – OSCILLATORS

U-1	R/W-1	R/W-1	R/W-1	U-1	R/W-1	R/W-1	R/W-1
—	RSTOSC2	RSTOSC1	RSTOSC0	—	FEXTOSC2	FEXTOSC1	FEXTOSC0
bit 7				bit 0			

Legend:

R = Readable bit W = Writable bit U = Unimplemented bit, read as '1'
 -n = Value for blank device '1' = Bit is set '0' = Bit is cleared x = Bit is unknown

bit 7 **Unimplemented:** Read as '1'

bit 6-4 **RSTOSC<2:0>:** Power-up Default Value for COSC bits
 This value is the Reset default value for COSC and selects the oscillator first used by user software. Refer to COSC operation.
 111 = EXTOSC operating per FEXTOSC<2:0> bits (device manufacturing default)
 110 = HFINTOSC with HFFRQ = 4 MHz and CDIV = 4:1
 101 = LFINTOSC
 100 = SOSC
 011 = Reserved
 010 = EXTOSC with 4x PLL, with EXTOSC operating per FEXTOSC<2:0> bits
 001 = Reserved
 000 = HFINTOSC with HFFRQ = 64 MHz and CDIV = 1:1; resets COSC/NOSC to 3'b110

bit 3 **Unimplemented:** Read as '1'

bit 2-0 **FEXTOSC<2:0>:** FEXTOSC External Oscillator Mode Selection bits
 111 = EC (External Clock) above 8 MHz; PFM set to high power (device manufacturing default)
 110 = EC (External Clock) for 500 kHz to 8 MHz; PFM set to medium power
 101 = EC (External Clock) below 500 kHz; PFM set to low power
 100 = Oscillator is not enabled
 011 = Reserved (do not use)
 010 = HS (crystal oscillator) above 8 MHz; PFM set to high power
 001 = XT (crystal oscillator) above 500 kHz, below 8 MHz; PFM set to medium power
 000 = LP (crystal oscillator) optimized for 32.768 kHz; PFM set to low power

PIC18(L)F2X/4XK40

REGISTER B-2: CONFIGURATION WORD 1H (30 0001h) – OSCILLATORS

U-1	U-1	R/W-1	U-1	R/W-1	U-1	U-1	R/W-1
—	—	FCMEN	—	CSWEN	—	—	CLKOUTEN
bit 7							bit 0

Legend:

R = Readable bit

W = Writable bit

U = Unimplemented bit, read as '1'

-n = Value for blank device

'1' = Bit is set

'0' = Bit is cleared

x = Bit is unknown

bit 7-6 **Unimplemented:** Read as '1'

bit 5 **FCMEN:** Fail-Safe Clock Monitor Enable bit

1 = FSCM timer is enabled

0 = FSCM timer is disabled

bit 4 **Unimplemented:** Read as '1'

bit 3 **CSWEN:** Clock Switch Enable bit

1 = Writing to NOSC and NDIV is allowed

0 = The NOSC and NDIV bits cannot be changed by user software

bit 2-1 **Unimplemented:** Read as '1'

bit 0 **CLKOUTEN:** Clock Out Enable bit

If FEXTOSC<2:0> = EC (high, mid or low) or Not Enabled:

1 = CLKOUT function is disabled; I/O or oscillator function on OSC2

0 = CLKOUT function is enabled; Fosc/4 clock appears at OSC2

Otherwise:

This bit is ignored.

PIC18(L)F2X/4XK40

REGISTER B-3: CONFIGURATION WORD 2L (30 0002h) – SUPERVISOR

R/W-1	R/W-1	R/W-1	U-1	U-1	U-1	R/W-1	R/W-1
BOREN1	BOREN0	$\overline{\text{LPBOREN}}$	—	—	—	$\overline{\text{PWRTTE}}$	MCLRRE
bit 7						bit 0	

Legend:

R = Readable bit W = Writable bit U = Unimplemented bit, read as '1'
 -n = Value for blank device '1' = Bit is set '0' = Bit is cleared x = Bit is unknown

- bit 7-6 **BOREN<1:0>**: Brown-out Reset Enable bits
 When enabled, Brown-out Reset Voltage (VBOR) is set by the BORV bit.
 11 = Brown-out Reset is enabled, SBOREN bit is ignored
 10 = Brown-out Reset is enabled while running, disabled in Sleep; SBOREN is ignored
 01 = Brown-out Reset is enabled according to SBOREN
 00 = Brown-out Reset is disabled
- bit 5 **LPBOREN**: Low-Power BOR Enable bit
 1 = ULPBOR is disabled
 0 = ULPBOR is enabled
- bit 4-2 **Unimplemented**: Read as '1'
- bit 1 **PWRTTE**: Power-up Timer Enable bit
 1 = PWRT is disabled
 0 = PWRT is enabled
- bit 0 **MCLRRE**: Master Clear ($\overline{\text{MCLR}}$) Enable bit
If LVP = 1:
 RE3 pin function is $\overline{\text{MCLR}}$.
If LVP = 0:
 1 = $\overline{\text{MCLR}}$ pin is $\overline{\text{MCLR}}$
 0 = $\overline{\text{MCLR}}$ pin function is a port defined function

PIC18(L)F2X/4XK40

REGISTER B-4: CONFIGURATION WORD 2H (30 0003h) – SUPERVISOR

R/W-1	U-1	R/W-1	R/W-1	R/W-1	R/W-1	R/W-1	R/W-1
$\overline{\text{XINST}}$	—	$\overline{\text{DEBUG}}$	STVREN	PPS1WAY	$\overline{\text{ZCD}}$	BORV1 ⁽¹⁾	BORV0 ⁽¹⁾
bit 7							bit 0

Legend:

R = Readable bit W = Writable bit U = Unimplemented bit, read as '1'
 -n = Value for blank device '1' = Bit is set '0' = Bit is cleared x = Bit is unknown

- bit 7 **$\overline{\text{XINST}}$** : Extended Instruction Set Enable bit
 1 = Extended instruction set and Indexed Addressing mode are disabled (Legacy mode)
 0 = Extended instruction set and Indexed Addressing mode are enabled
- bit 6 **Unimplemented**: Read as '1'
- bit 5 **$\overline{\text{DEBUG}}$** : Debugger Enable bit
 1 = Background debugger is disabled
 0 = Background debugger is enabled
- bit 4 **STVREN**: Stack Overflow/Underflow Reset Enable bit
 1 = Stack overflow or underflow will cause a Reset
 0 = Stack overflow or underflow will not cause a Reset
- bit 3 **PPS1WAY**: PPSLOCK One-Way Set Enable bit
 1 = The PPSLOCKED bit can only be set once after an unlocking sequence is executed; once PPSLOCK is set, all future changes to PPS registers are prevented
 0 = The PPSLOCKED bit can be set and cleared as needed (provided an unlocking sequence is executed)
- bit 2 **$\overline{\text{ZCD}}$** : ZCD Disable bit
 1 = ZCD is disabled; ZCD can be enabled by setting the ZCDSEN bit of the ZCDCON register
 0 = ZCD is always enabled, ZCDMD bit is ignored
- bit 1-0 **BORV<1:0>**: Brown-out Reset Voltage Selection bits⁽¹⁾
PIC18FXXK40 Devices:
 11 = Brown-out Reset Voltage (VBOR) is set to 2.45V
 10 = Brown-out Reset Voltage (VBOR) is set to 2.45V
 01 = Brown-out Reset Voltage (VBOR) is set to 2.7V
 00 = Brown-out Reset Voltage (VBOR) is set to 2.85V
PIC18LFXXK40 Device:
 11 = Brown-out Reset Voltage (VBOR) is set to 1.90V
 10 = Brown-out Reset Voltage (VBOR) is set to 2.45V
 01 = Brown-out Reset Voltage (VBOR) is set to 2.7V
 00 = Brown-out Reset Voltage (VBOR) is set to 2.85V

Note 1: The higher voltage setting is recommended for operation at or above 16 MHz.

PIC18(L)F2X/4XK40

REGISTER B-5: CONFIGURATION WORD 3L (30 0004h) – WINDOWED WATCHDOG TIMER

U-1	R/W-1	R/W-1	R/W-1	R/W-1	R/W-1	R/W-1	R/W-1
—	WDTE1	WDTE0	WDTCP54	WDTCP53	WDTCP52	WDTCP51	WDTCP50
bit 7							bit 0

Legend:

R = Readable bit W = Writable bit U = Unimplemented bit, read as '1'
 -n = Value for blank device '1' = Bit is set '0' = Bit is cleared x = Bit is unknown

bit 7 **Unimplemented:** Read as '1'

bit 6-5 **WDTE<1:0>:** WDT Operating Mode bits

- 00 = WDT is disabled, SWDTEN is ignored
- 01 = WDT is enabled/disabled by the SWDTEN bit in WDTCON0
- 10 = WDT is enabled while Sleep = 0, suspended when Sleep = 1; SWDTEN is ignored
- 11 = WDT is enabled regardless of Sleep; SWDTEN is ignored

bit 4-0 **WDTCP5<4:0>:** WDT Period Select bits

WDTCP5<4:0>	WDTPS at POR			Software Control of WDTPS?	
	Value	Divider Ratio	Typical Time-out (F _{IN} = 31 kHz)		
00000	00000	1:32	2 ⁵	1 ms	No
00001	00001	1:64	2 ⁶	2 ms	
00010	00010	1:128	2 ⁷	4 ms	
00011	00011	1:256	2 ⁸	8 ms	
00100	00100	1:512	2 ⁹	16 ms	
00101	00101	1:1024	2 ¹⁰	32 ms	
00110	00110	1:2048	2 ¹¹	64 ms	
00111	00111	1:4096	2 ¹²	128 ms	
01000	01000	1:8192	2 ¹³	256 ms	
01001	01001	1:16384	2 ¹⁴	512 ms	
01010	01010	1:32768	2 ¹⁵	1s	
01011	01011	1:65536	2 ¹⁶	2s	
01100	01100	1:131072	2 ¹⁷	4s	
01101	01101	1:262144	2 ¹⁸	8s	
01110	01110	1:524299	2 ¹⁹	16s	
01111	01111	1:1048576	2 ²⁰	32s	
10000	10000	1:2097152	2 ²¹	64s	
10001	10001	1:4194304	2 ²²	128s	
10010	10010	1:8388608	2 ²³	256s	
10011	10011	1:32	2 ⁵	1 ms	No
...	...				
11110	11110	1:65536	2 ¹⁶	2s	Yes
11111	01011				

PIC18(L)F2X/4XK40

REGISTER B-6: CONFIGURATION WORD 3H (30 0005h) – WINDOWED WATCHDOG TIMER

U-1	U-1	R/W-1	R/W-1	R/W-1	R/W-1	R/W-1	R/W-1	
—	—	WDTCCS2	WDTCCS1	WDTCCS0	WDTCWS2	WDTCWS1	WDTCWS0	
bit 7								bit 0

Legend:

R = Readable bit W = Writable bit U = Unimplemented bit, read as '1'
 -n = Value for blank device '1' = Bit is set '0' = Bit is cleared x = Bit is unknown

bit 7-6 **Unimplemented:** Read as '1'

bit 5-3 **WDTCCS<2:0>:** WDT Input Clock Selector bits

If WDTE<1:0> Fuses = 2'b00:

This bit is ignored.

Otherwise:

000 = WDT reference clock is the 31.0 kHz LFINTOSC (default value)

001 = WDT reference clock is the 31.25 kHz HFINTOSC (MFINTOSC)

010 = Reserved (default to LFINTOSC)

•

•

•

110 = Reserved (default to LFINTOSC)

111 = Software control

bit 2-0 **WDTCWS<2:0>:** WDT Window Select bits

WDTCWS	Window at POR			Software Control of Window	Keyed Access Required?
	Value	Window Delay Percent of Time	Window Opening Percent of Time		
000	000	87.5	12.5	No	Yes
001	001	75	25		
010	010	62.5	37.5		
011	011	50	50		
100	100	37.5	62.5		
101	101	25	75		
110	111	n/a	100	Yes	No
111	111	n/a	100		

PIC18(L)F2X/4XK40

REGISTER B-7: CONFIGURATION WORD 4L (30 0006h) – MEMORY WRITE PROTECTION

R/W-1	R/W-1	R/W-1	R/W-1	R/W-1	R/W-1	R/W-1	R/W-1
WRT7 ⁽¹⁾	WRT6 ⁽¹⁾	WRT5 ⁽¹⁾	WRT4 ⁽¹⁾	WRT3 ⁽¹⁾	WRT2 ⁽¹⁾	WRT1 ⁽¹⁾	WRT0 ⁽¹⁾
bit 7							bit 0

Legend:

R = Readable bit W = Writable bit U = Unimplemented bit, read as '1'
 -n = Value for blank device '1' = Bit is set '0' = Bit is cleared x = Bit is unknown

bit 7-0 **WRTn:** User NVM Self-Write Protection bits⁽¹⁾
 0 = Memory Block *n* is write-protected
 1 = Memory Block *n* is NOT write-protected

Note 1: Refer to [Table 2-2](#) for details on implementation of the individual WRTx bits.

REGISTER B-8: CONFIGURATION WORD 4H (30 0007h) – MEMORY WRITE PROTECTION

U-1	U-1	R/W-1	R/W-1	U-1	R/W-1	R/W-1	R/W-1
—	—	LVP	SCANE	—	WRTD	WRTB	WRTC
bit 7							bit 0

Legend:

R = Readable bit W = Writable bit U = Unimplemented bit, read as '1'
 -n = Value for blank device '1' = Bit is set '0' = Bit is cleared x = Bit is unknown

bit 7-6 **Unimplemented:** Read as '1'

bit 5 **LVP:** Low-Voltage Programming Enable bit
 0 = HV on $\overline{\text{MCLR}}/\text{VPP}$ must be used for programming
 1 = Low-Voltage Programming is enabled; $\overline{\text{MCLR}}/\text{VPP}$ pin function is $\overline{\text{MCLR}}$, MCLRE Configuration bit is ignored
 The LVP bit cannot be written (to zero) while operating from the LVP programming interface. The purpose of this rule is to prevent the user from dropping out of LVP mode while programming from LVP mode or accidentally eliminating LVP mode from the configuration state.

bit 4 **SCANE:** Scanner Enable bit
 1 = Scanner module is available for use, SCANMD bit enables the module
 0 = Scanner module is NOT available for use, SCANMD bit is ignored

bit 3 **Unimplemented:** Read as '1'

bit 2 **WRTD:** Data EEPROM Write Protection bit
 0 = Data EEPROM is write-protected
 1 = Data EEPROM is NOT write-protected

bit 1 **WRTB:** Boot Block Write Protection bit
 0 = Boot block is write-protected
 1 = Boot block is NOT write-protected

bit 0 **WRTC:** Configuration Register Write Protection bit
 0 = Configuration register is write-protected
 1 = Configuration register is NOT write-protected

PIC18(L)F2X/4XK40

REGISTER B-9: CONFIGURATION WORD 5L (30 0008h) – CODE PROTECTION

U-1	U-1	U-1	U-1	U-1	U-1	R/W-1	R/W-1
—	—	—	—	—	—	$\overline{\text{CPD}}$	$\overline{\text{CP}}$
bit 7						bit 0	

Legend:

R = Readable bit W = Writable bit U = Unimplemented bit, read as '1'
 -n = Value for blank device '1' = Bit is set '0' = Bit is cleared x = Bit is unknown

bit 7-2 **Unimplemented:** Read as '1'
 bit 1 **CPD:** Data NVM Memory Code Protection bit
 1 = Data NVM code protection is disabled
 0 = Data NVM code protection is enabled
 bit 0 **CP:** User NVM Program Memory Code Protection bit
 1 = User NVM code protection is disabled
 0 = User NVM code protection is enabled

REGISTER B-10: CONFIGURATION WORD 6L (30 000Ah) – MEMORY READ PROTECTION

R/W-1	R/W-1	R/W-1	R/W-1	R/W-1	R/W-1	R/W-1	R/W-1
EBTR7 ⁽¹⁾	EBTR6 ⁽¹⁾	EBTR5 ⁽¹⁾	EBTR4 ⁽¹⁾	EBTR3 ⁽¹⁾	EBTR2 ⁽¹⁾	EBTR1 ⁽¹⁾	EBTR0 ⁽¹⁾
bit 7						bit 0	

Legend:

R = Readable bit W = Writable bit U = Unimplemented bit, read as '1'
 -n = Value for blank device '1' = Bit is set '0' = Bit is cleared x = Bit is unknown

bit 7-0 **EBTR_n:** Table Read Protection bits⁽¹⁾
 0 = Memory Block *n* is protected from Table Reads executed in other blocks
 1 = Memory Block *n* is NOT protected from Table Reads executed in other blocks

Note 1: Refer to [Table 2-2](#) for details on implementation of the individual EBTR_x bits.

REGISTER B-11: CONFIGURATION WORD 6H (30 000Bh) – MEMORY READ PROTECTION

U-1	U-1	U-1	U-1	U-1	U-1	R/W-1	U-1
—	—	—	—	—	—	EBTRB	—
bit 7						bit 0	

Legend:

R = Readable bit W = Writable bit U = Unimplemented bit, read as '1'
 -n = Value for blank device '1' = Bit is set '0' = Bit is cleared x = Bit is unknown

bit 7-2 **Unimplemented:** Read as '1'
 bit 1 **EBTRB:** Table Read Protection bit
 0 = Memory boot block is protected from Table Reads executed in other blocks
 1 = Memory boot block is NOT protected from Table Reads executed in other blocks
 bit 0 **Unimplemented:** Read as '1'

Note the following details of the code protection feature on Microchip devices:

- Microchip products meet the specification contained in their particular Microchip Data Sheet.
- Microchip believes that its family of products is one of the most secure families of its kind on the market today, when used in the intended manner and under normal conditions.
- There are dishonest and possibly illegal methods used to breach the code protection feature. All of these methods, to our knowledge, require using the Microchip products in a manner outside the operating specifications contained in Microchip's Data Sheets. Most likely, the person doing so is engaged in theft of intellectual property.
- Microchip is willing to work with the customer who is concerned about the integrity of their code.
- Neither Microchip nor any other semiconductor manufacturer can guarantee the security of their code. Code protection does not mean that we are guaranteeing the product as “unbreakable.”

Code protection is constantly evolving. We at Microchip are committed to continuously improving the code protection features of our products. Attempts to break Microchip's code protection feature may be a violation of the Digital Millennium Copyright Act. If such acts allow unauthorized access to your software or other copyrighted work, you may have a right to sue for relief under that Act.

Information contained in this publication regarding device applications and the like is provided only for your convenience and may be superseded by updates. It is your responsibility to ensure that your application meets with your specifications. MICROCHIP MAKES NO REPRESENTATIONS OR WARRANTIES OF ANY KIND WHETHER EXPRESS OR IMPLIED, WRITTEN OR ORAL, STATUTORY OR OTHERWISE, RELATED TO THE INFORMATION, INCLUDING BUT NOT LIMITED TO ITS CONDITION, QUALITY, PERFORMANCE, MERCHANTABILITY OR FITNESS FOR PURPOSE. Microchip disclaims all liability arising from this information and its use. Use of Microchip devices in life support and/or safety applications is entirely at the buyer's risk, and the buyer agrees to defend, indemnify and hold harmless Microchip from any and all damages, claims, suits, or expenses resulting from such use. No licenses are conveyed, implicitly or otherwise, under any Microchip intellectual property rights unless otherwise stated.

Microchip received ISO/TS-16949:2009 certification for its worldwide headquarters, design and wafer fabrication facilities in Chandler and Tempe, Arizona; Gresham, Oregon and design centers in California and India. The Company's quality system processes and procedures are for its PIC[®] MCUs and dsPIC[®] DSCs, KEELoQ[®] code hopping devices, Serial EEPROMs, microperipherals, nonvolatile memory and analog products. In addition, Microchip's quality system for the design and manufacture of development systems is ISO 9001:2000 certified.

**QUALITY MANAGEMENT SYSTEM
CERTIFIED BY DNV
= ISO/TS 16949 =**

Trademarks

The Microchip name and logo, the Microchip logo, AnyRate, AVR, AVR logo, AVR Freaks, BeaconThings, BitCloud, CryptoMemory, CryptoRF, dsPIC, FlashFlex, flexPWR, Heldo, JukeBlox, KEELoQ, KEELoQ logo, Klear, LANCheck, LINK MD, maXStylus, maXTouch, MediaLB, megaAVR, MOST, MOST logo, MPLAB, OptoLyzer, PIC, picoPower, PICSTART, PIC32 logo, Prochip Designer, QTouch, RightTouch, SAM-BA, SpyNIC, SST, SST Logo, SuperFlash, tinyAVR, UNI/O, and XMEGA are registered trademarks of Microchip Technology Incorporated in the U.S.A. and other countries.

ClockWorks, The Embedded Control Solutions Company, EtherSynch, Hyper Speed Control, HyperLight Load, IntellIMOS, mTouch, Precision Edge, and Quiet-Wire are registered trademarks of Microchip Technology Incorporated in the U.S.A.

Adjacent Key Suppression, AKS, Analog-for-the-Digital Age, Any Capacitor, AnyIn, AnyOut, BodyCom, chipKIT, chipKIT logo, CodeGuard, CryptoAuthentication, CryptoCompanion, CryptoController, dsPICDEM, dsPICDEM.net, Dynamic Average Matching, DAM, ECAN, EtherGREEN, In-Circuit Serial Programming, ICSP, Inter-Chip Connectivity, JitterBlocker, KlearNet, KlearNet logo, Mindi, MiWi, motorBench, MPASM, MPF, MPLAB Certified logo, MPLIB, MPLINK, MultiTRAK, NetDetach, Omniscient Code Generation, PICDEM, PICDEM.net, PICKit, PICtail, PureSilicon, QMatrix, RightTouch logo, REAL ICE, Ripple Blocker, SAM-ICE, Serial Quad I/O, SMART-I.S., SQI, SuperSwitcher, SuperSwitcher II, Total Endurance, TSHARC, USBCheck, VariSense, ViewSpan, WiperLock, Wireless DNA, and ZENA are trademarks of Microchip Technology Incorporated in the U.S.A. and other countries.

SQTP is a service mark of Microchip Technology Incorporated in the U.S.A.

Silicon Storage Technology is a registered trademark of Microchip Technology Inc. in other countries.

GestIC is a registered trademark of Microchip Technology Germany II GmbH & Co. KG, a subsidiary of Microchip Technology Inc., in other countries.

All other trademarks mentioned herein are property of their respective companies.

© 2014-2017, Microchip Technology Incorporated, All Rights Reserved.

ISBN: 978-1-5224-1367-7



MICROCHIP

Worldwide Sales and Service

AMERICAS

Corporate Office
2355 West Chandler Blvd.
Chandler, AZ 85224-6199
Tel: 480-792-7200
Fax: 480-792-7277
Technical Support:
<http://www.microchip.com/support>
Web Address:
www.microchip.com

Atlanta
Duluth, GA
Tel: 678-957-9614
Fax: 678-957-1455

Austin, TX
Tel: 512-257-3370

Boston
Westborough, MA
Tel: 774-760-0087
Fax: 774-760-0088

Chicago
Itasca, IL
Tel: 630-285-0071
Fax: 630-285-0075

Dallas
Addison, TX
Tel: 972-818-7423
Fax: 972-818-2924

Detroit
Novi, MI
Tel: 248-848-4000

Houston, TX
Tel: 281-894-5983

Indianapolis
Noblesville, IN
Tel: 317-773-8323
Fax: 317-773-5453
Tel: 317-536-2380

Los Angeles
Mission Viejo, CA
Tel: 949-462-9523
Fax: 949-462-9608
Tel: 951-273-7800

Raleigh, NC
Tel: 919-844-7510

New York, NY
Tel: 631-435-6000

San Jose, CA
Tel: 408-735-9110
Tel: 408-436-4270

Canada - Toronto
Tel: 905-695-1980
Fax: 905-695-2078

ASIA/PACIFIC

Asia Pacific Office
Suites 3707-14, 37th Floor
Tower 6, The Gateway
Harbour City, Kowloon

Hong Kong
Tel: 852-2943-5100
Fax: 852-2401-3431

Australia - Sydney
Tel: 61-2-9868-6733
Fax: 61-2-9868-6755

China - Beijing
Tel: 86-10-8569-7000
Fax: 86-10-8528-2104

China - Chengdu
Tel: 86-28-8665-5511
Fax: 86-28-8665-7889

China - Chongqing
Tel: 86-23-8980-9588
Fax: 86-23-8980-9500

China - Dongguan
Tel: 86-769-8702-9880

China - Guangzhou
Tel: 86-20-8755-8029

China - Hangzhou
Tel: 86-571-8792-8115
Fax: 86-571-8792-8116

China - Hong Kong SAR
Tel: 852-2943-5100
Fax: 852-2401-3431

China - Nanjing
Tel: 86-25-8473-2460
Fax: 86-25-8473-2470

China - Qingdao
Tel: 86-532-8502-7355
Fax: 86-532-8502-7205

China - Shanghai
Tel: 86-21-3326-8000
Fax: 86-21-3326-8021

China - Shenyang
Tel: 86-24-2334-2829
Fax: 86-24-2334-2393

China - Shenzhen
Tel: 86-755-8864-2200
Fax: 86-755-8203-1760

China - Wuhan
Tel: 86-27-5980-5300
Fax: 86-27-5980-5118

China - Xian
Tel: 86-29-8833-7252
Fax: 86-29-8833-7256

ASIA/PACIFIC

China - Xiamen
Tel: 86-592-2388138
Fax: 86-592-2388130

China - Zhuhai
Tel: 86-756-3210040
Fax: 86-756-3210049

India - Bangalore
Tel: 91-80-3090-4444
Fax: 91-80-3090-4123

India - New Delhi
Tel: 91-11-4160-8631
Fax: 91-11-4160-8632

India - Pune
Tel: 91-20-3019-1500

Japan - Osaka
Tel: 81-6-6152-7160
Fax: 81-6-6152-9310

Japan - Tokyo
Tel: 81-3-6880-3770
Fax: 81-3-6880-3771

Korea - Daegu
Tel: 82-53-744-4301
Fax: 82-53-744-4302

Korea - Seoul
Tel: 82-2-554-7200
Fax: 82-2-558-5932 or
82-2-558-5934

Malaysia - Kuala Lumpur
Tel: 60-3-6201-9857
Fax: 60-3-6201-9859

Malaysia - Penang
Tel: 60-4-227-8870
Fax: 60-4-227-4068

Philippines - Manila
Tel: 63-2-634-9065
Fax: 63-2-634-9069

Singapore
Tel: 65-6334-8870
Fax: 65-6334-8850

Taiwan - Hsin Chu
Tel: 886-3-5778-366
Fax: 886-3-5770-955

Taiwan - Kaohsiung
Tel: 886-7-213-7830

Taiwan - Taipei
Tel: 886-2-2508-8600
Fax: 886-2-2508-0102

Thailand - Bangkok
Tel: 66-2-694-1351
Fax: 66-2-694-1350

EUROPE

Austria - Wels
Tel: 43-7242-2244-39
Fax: 43-7242-2244-393

Denmark - Copenhagen
Tel: 45-4450-2828
Fax: 45-4485-2829

Finland - Espoo
Tel: 358-9-4520-820

France - Paris
Tel: 33-1-69-53-63-20
Fax: 33-1-69-30-90-79

France - Saint Cloud
Tel: 33-1-30-60-70-00

Germany - Garching
Tel: 49-8931-9700

Germany - Haan
Tel: 49-2129-3766400

Germany - Heilbronn
Tel: 49-7131-67-3636

Germany - Karlsruhe
Tel: 49-721-625370

Germany - Munich
Tel: 49-89-627-144-0
Fax: 49-89-627-144-44

Germany - Rosenheim
Tel: 49-8031-354-560

Israel - Ra'anana
Tel: 972-9-744-7705

Italy - Milan
Tel: 39-0331-742611
Fax: 39-0331-466781

Italy - Padova
Tel: 39-049-7625286

Netherlands - Drunen
Tel: 31-416-690399
Fax: 31-416-690340

Norway - Trondheim
Tel: 47-7289-7561

Poland - Warsaw
Tel: 48-22-3325737

Romania - Bucharest
Tel: 40-21-407-87-50

Spain - Madrid
Tel: 34-91-708-08-90
Fax: 34-91-708-08-91

Sweden - Gothenberg
Tel: 46-31-704-60-40

Sweden - Stockholm
Tel: 46-8-5090-4654

UK - Wokingham
Tel: 44-118-921-5800
Fax: 44-118-921-5820