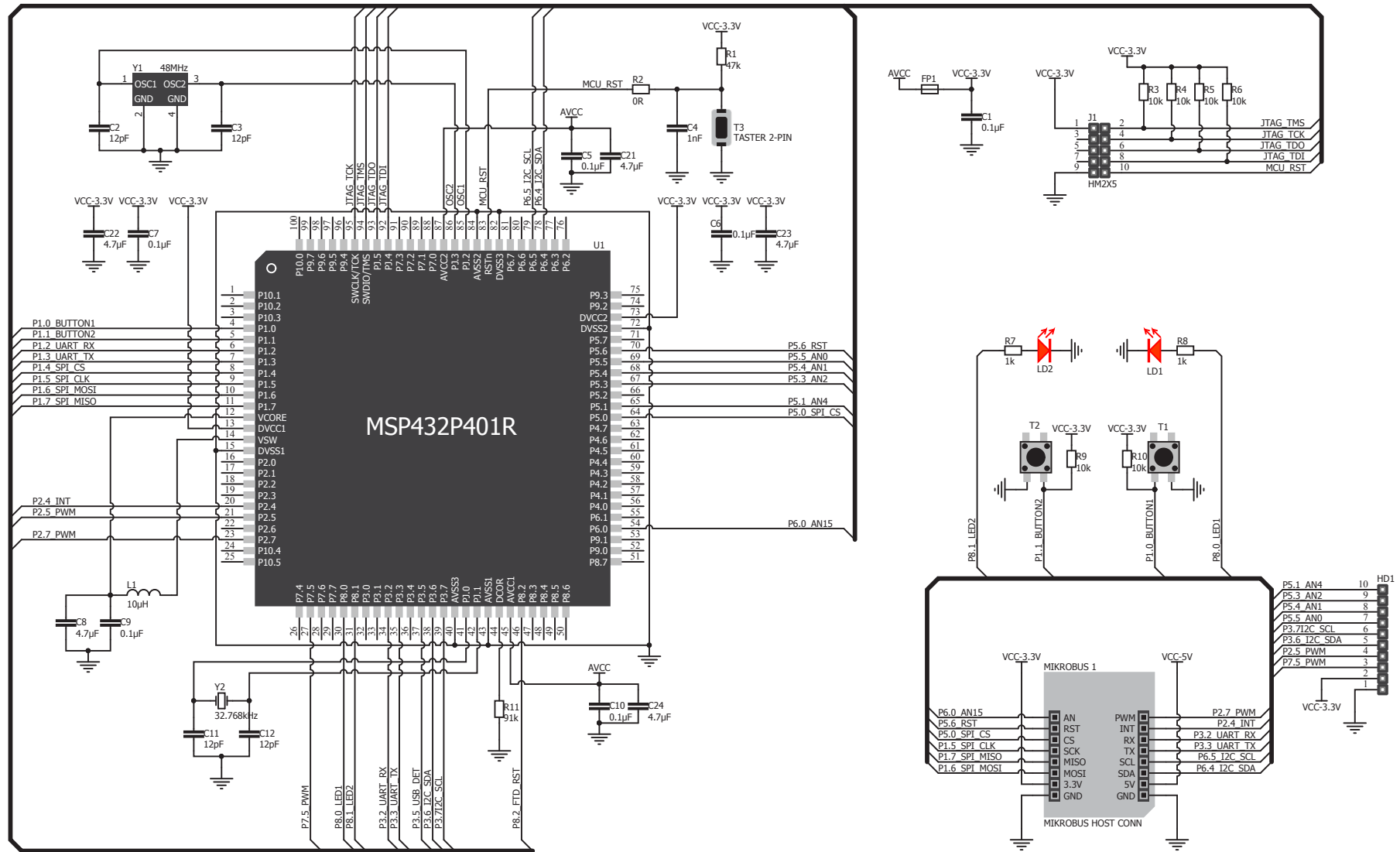


MSP432 Clicker schematic v100



www.mikroe.com

