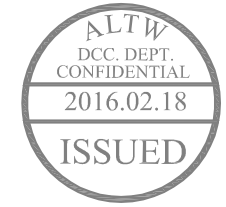
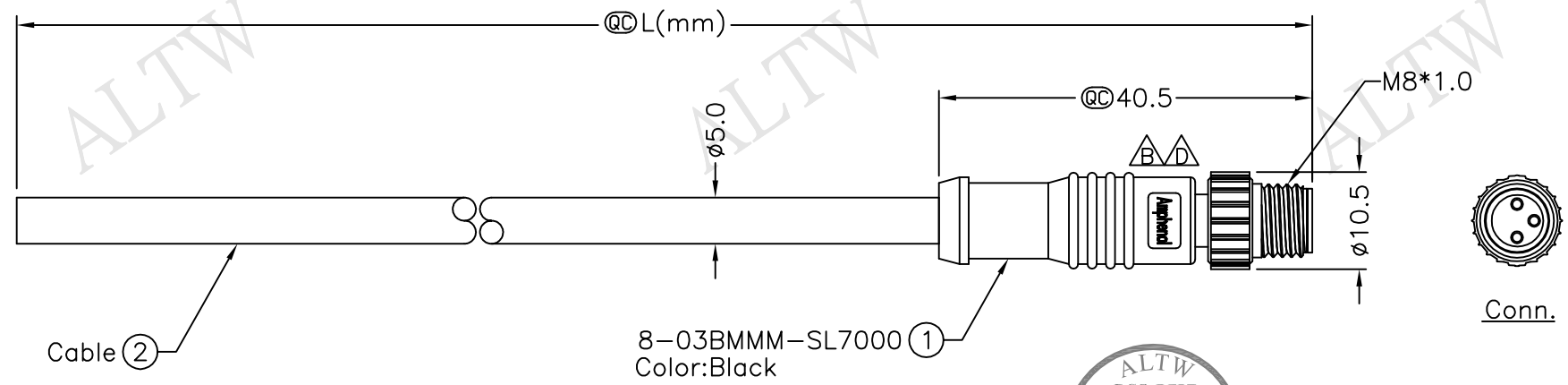


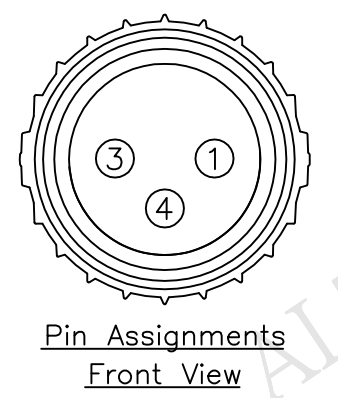
REV.	ECN NO.	DATE	SIGN	DESCRIPTION
B	LEN-7A0215	2007/10/09	Ferds	Apply New Format And Add Logo.
C	LEN-920021~024	2009/02/02	Vicky	Update the drawing.
D	LEN1620134~138	2016/02/01	Ruru	Change Logo

THIS DOCUMENT IS SUBJECT TO CHANGE WITHOUT NOTICE. IT IS CONFIDENTIAL AND A PROPERTY OF Amphenol LTW. DISCLOSURE TO THIRD PARTY HAS TO BE AUTHORIZED BY Amphenol LTW.



8-03BMMM-SL7AXX
 XX:01~99Meters
 01:01Meter
 02:02Meters
 :
 :
 99:99Meters
 Cable Length(L):01~99Meters

- Notes:
- * @C Important Dimension.
 - * Waterproof Rate: IP67.
 - * Connector: PU, Black.
 - * Male Pin: Copper Alloy, Gold Plated.
 - * Cable: UL2464 22AWG*3C+Talcum, PVC Jacket, UV Resistant, OD=5.0mm, Black
 - * Cable Length Tolerance: 01M:±40mm
 02M~05M:±60mm
 06M~10M:±100mm
 11M~30M:±200mm
 31M~99M:±500mm



Conn.	Wire Color	Pin Out
4	Black	黑
3	Blue	藍
1	Brown	棕

UNIT:mm	
TOLERANCE	±0.5 mm

TITLE	M8 Conn Cable Screw 3P M Conn M Pin		
SCALE	Free	SHEET 1	OF 1
REV.	D	SIZE	A4
@C :Inspection Item			

Amphenol LTW
 安費諾亮泰企業股份有限公司

ITEM NO	DRAWN BY	DATE
DWG NO	CHECKED BY	DATE
CUSTOMER	APPROVED BY	DATE
	Ruru	2016/02/01
8-03BMMM-SL7AXX	Rita	2016/02/01
ALTW	Lisa	2016/02/01