

3M™ Scotchlok™ Insulation Displacement Electrical Tap Connector 560B

Data Sheet

October 2017

Application Use 3M™ Scotchlok™ Insulation Displacement Electrical Tap Connector 560B to electrically connect a (tap) wire end to a through (run) wire, join parallel run wires, and insulate the connection.

Specifications

Operating Temperature: 221°F (105°C)
Voltage Rating: 600 volts max. building wire
1000 volts max. signs and luminaires
Weight: .0032 lb (1,45 gm)

Construction:

U-Contact: Tin-plated brass, .03 in. thick (0,8 mm)
Insulator: Polypropylene
Color: Blue
UL 94-V-2

**Agency Approvals,
Self Certifications,
MIL Specs**

- UL Listed as a Pressure Cable Connector, Tested per UL Standard 486C, UL File No. E23438

NOTE: UL Listed for AWG Only

- Federal Specification A-A-59213A: "Commercial package only"

<u>Type</u>	<u>Class</u>	<u>Kind</u>	<u>Style</u>
3	1	cu	F

Wire Range 18-14 AWG (0,75 -1,5 mm²) solid or stranded, tinned or untinned copper conductors. For use with thermoplastic insulated wires such as; T, TW, TFF, TFN TFFN, AWN, TEW, SAE-GPT, with a maximum insulation diameter of .145 inches (3,7 mm).

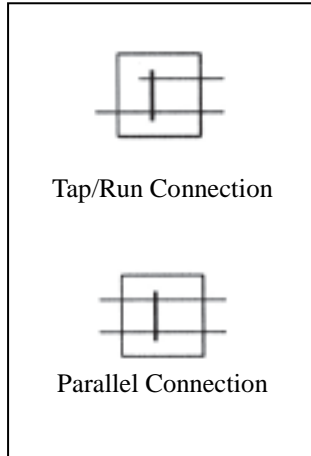
Maximum recommended current for general purpose applications: 18 AWG – 7 Amps, 16 AWG – 10 Amps, 14 AWG – 15 Amps.

**Engineering /
Architectural
Specifications**

3M™ Scotchlok™ Insulation Displacement Electrical Tap Connector 560B is capable of connecting a tap wire to a run wire in the range of 18-14 AWG (0,75-1,5 mm²) solid or stranded, tinned or untinned copper conductors.

3M™ Scotchlok™ Insulation Displacement Electrical Tap Connector 560B

Installation Techniques



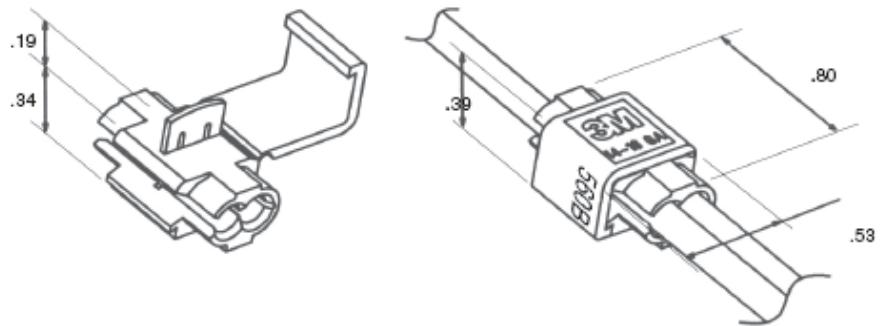
WARNING

Turn power off before installing or removing terminal. All electrical work should be done according to appropriate electrical codes.

Recommended Installation Tools:

3M™ Scotchlok™ Crimping Tool No. E-9BM or 9" Lineman's Pliers

1. Place unstripped run wire inside run channel.
2. Insert unstripped tap wire completely.
3. Hold tool perpendicular to the wire and make the connection by crimping the u-contact down flush with the top of the plastic insulator.
4. Close top hinged cover until latched.



Shelf Life & Storage

This product has a 5-year shelf life from date of manufacture when stored in a humidity controlled storage (50°F/10°C to 80°F/27°C and <75% relative humidity).

Availability

Please contact your local distributor; available from 3M.com/electrical [Where to Buy] or call 1.800.245.3573.

Important Notice

All statements, technical information, and recommendations related to 3M's products are based on information believed to be reliable, but the accuracy or completeness is not guaranteed. Before using this product, you must evaluate it and determine if it is suitable for your intended application. You assume all risks and liability associated with such use. Any statements related to the product which are not contained in 3M's current publications, or any contrary statements contained on your purchase order shall have no force or effect unless expressly agreed upon, in writing, by an authorized officer of 3M.

Warranty; Limited Remedy; Limited liability:

This product will be free from defects in material and manufacture at the time of purchase **3M MAKES NO OTHER WARRANTIES INCLUDING, BUT NOT LIMITED TO, ANY IMPLIED WARRANTY OF MERCHANTABILITY OR FITNESS FOR A PARTICULAR PURPOSE.** If this product is defective within the warranty period stated above, your exclusive remedy shall be, at 3M's option, to replace or repair the 3M product or refund the purchase price of the 3M product. **Except where prohibited by law, 3M will not be liable for any indirect, special, incidental or consequential loss or damage arising from this 3M product, regardless of the legal theory asserted.**

3M and Scotchlok are trademarks of 3M Company.



Electrical Markets Division

6801 River Place Blvd.
Austin, TX 78726-9000
800.245.3573
FAX: 800.245.0329
www.3M.com/electrical

Please recycle.
© 3M 2017 All rights reserved.
78-8126-5926-2 Rev F