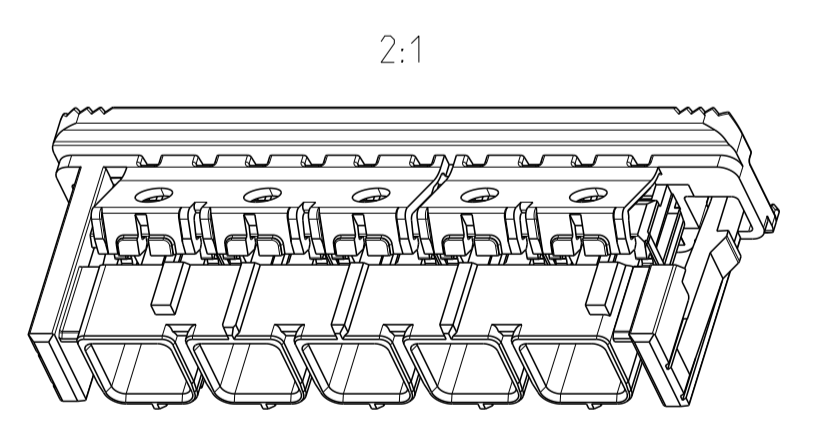
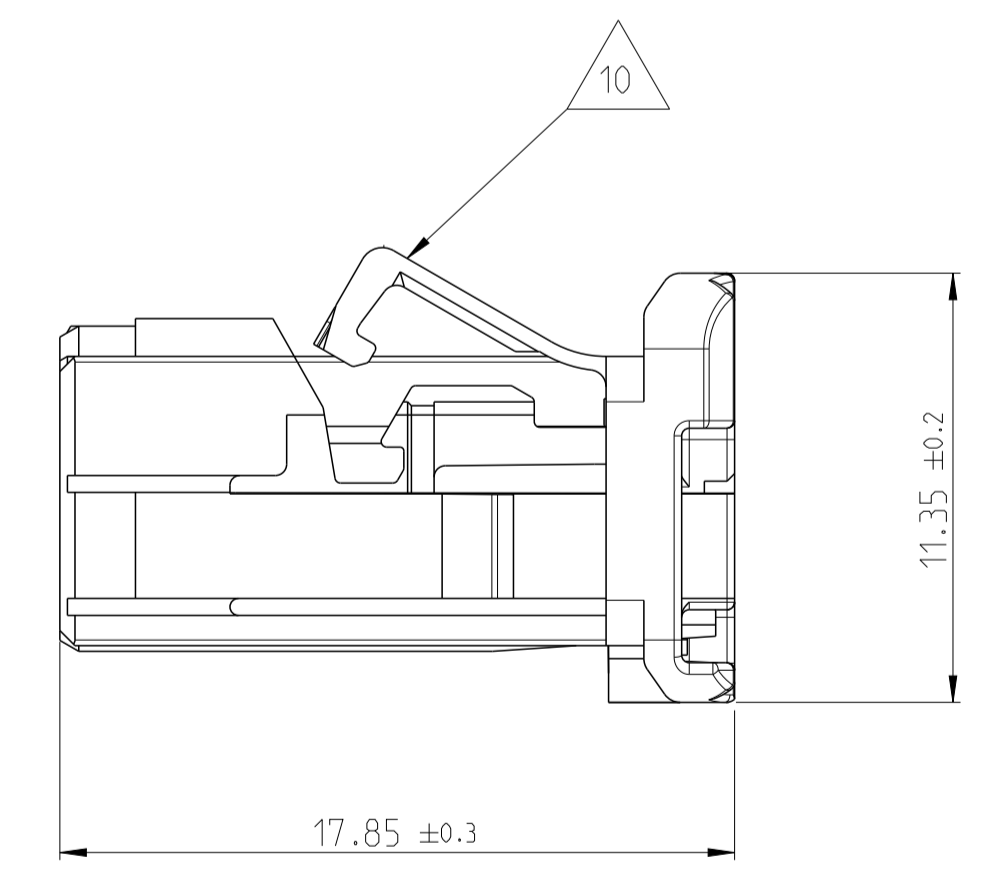
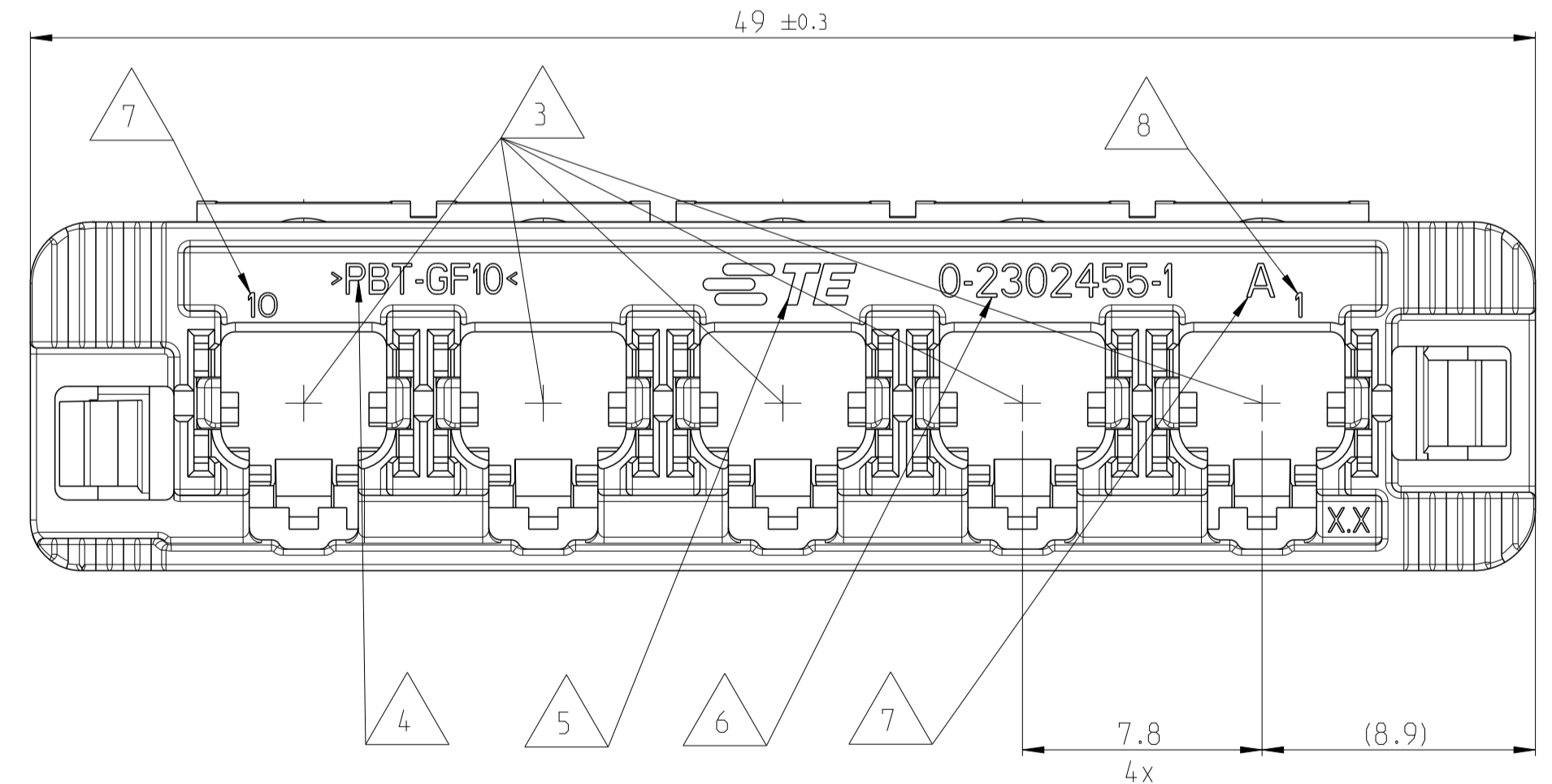
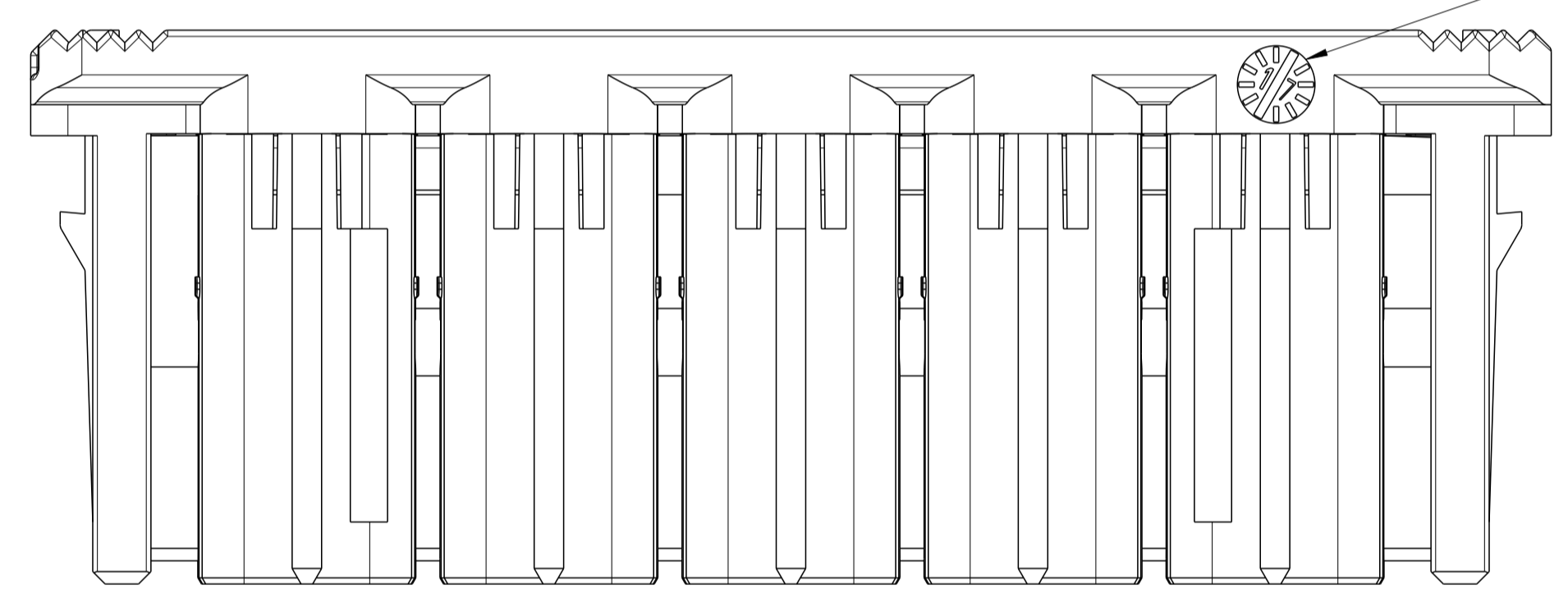
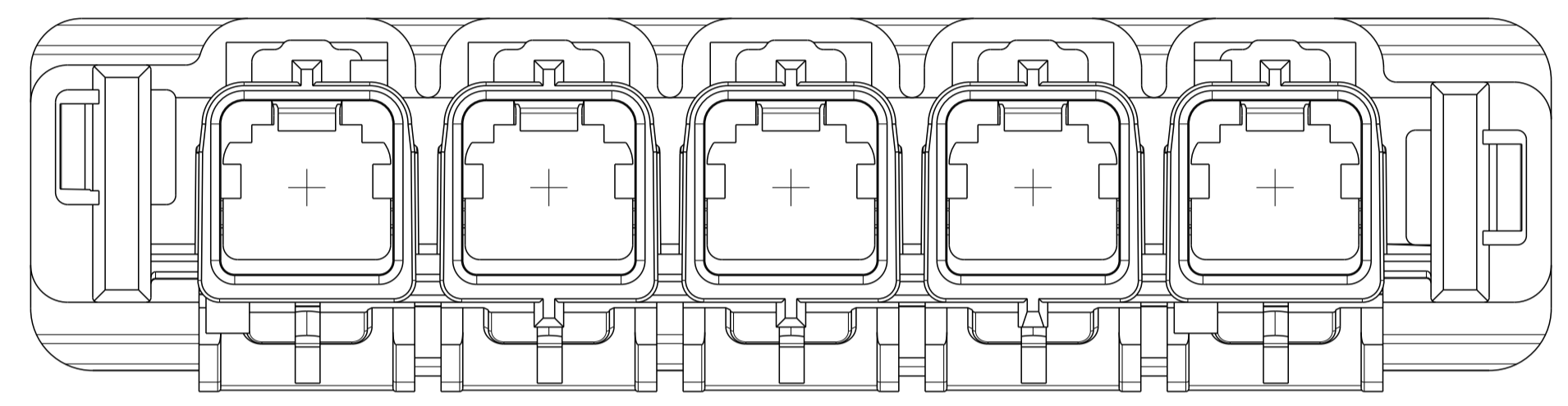
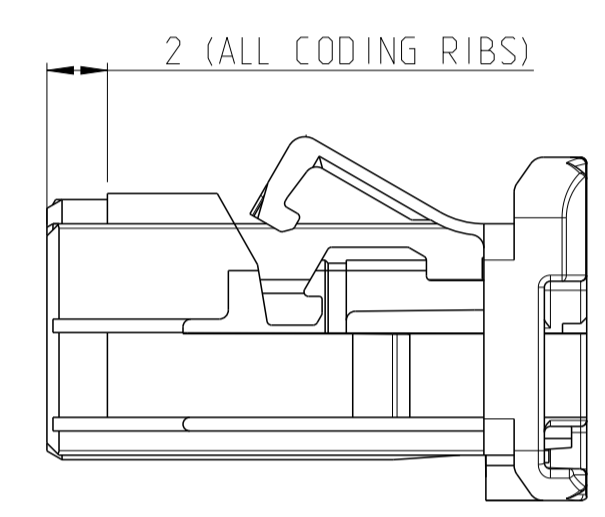
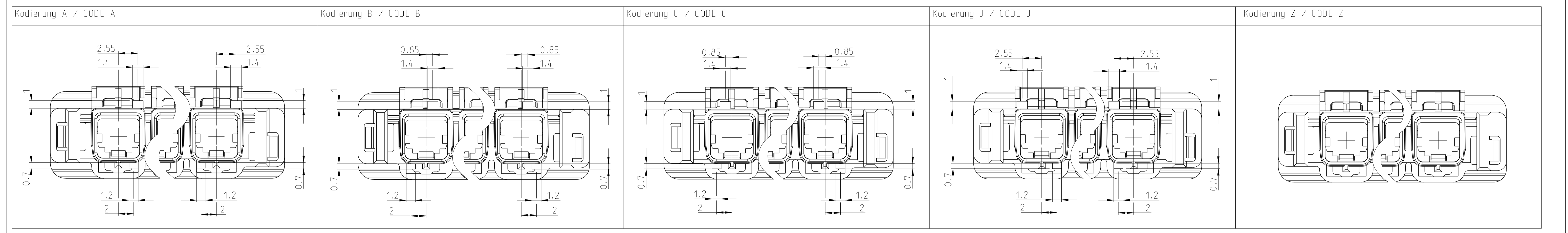
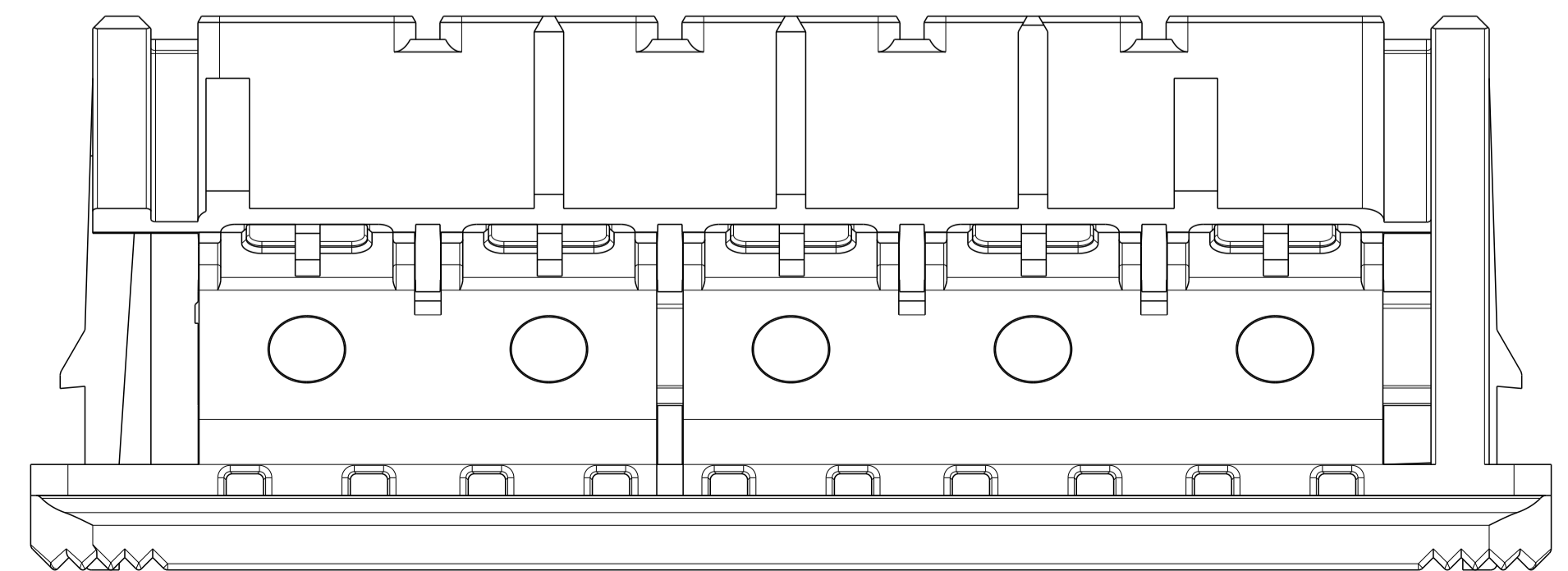
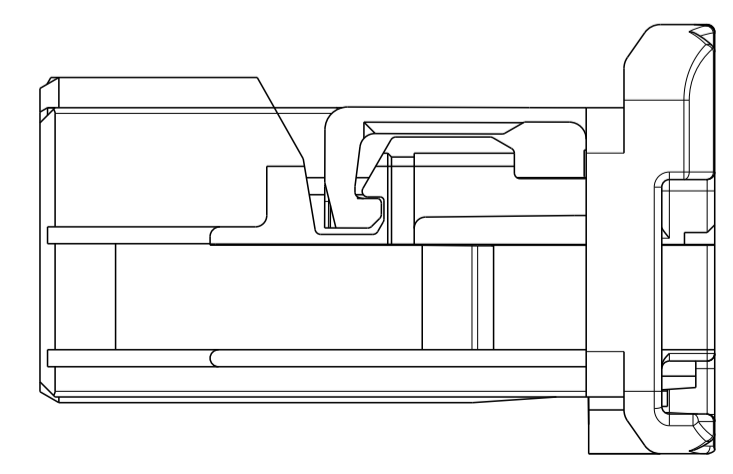


PROJEKT NR.:		REVISIONS ÄNDERUNGEN			
P.	LTN.	DESCRIPTION BESCHREIBUNG	DATE	DWN.	APVD.
A		NEW DRAWING	16AUG2016	KIJ	AK
B		E-16-016822 (STP-Contact-Spring Pockets added)	28NOV2016	KIJ	AK
B1		E-17-012393 (added serial parts)	25AUG2017	RW	AK



- Notizen / NOTES:
- 0-2302455-1, Kodierung A wie dargestellt
0-2302455-1, CODING A AS SHOWN
 - Passend zu Stiftwanne nach TE-Schnittstellenzeichnung 208-18010
MATING TO PINHEADER ACC. TE-INTERFACE DRAWING 208-18010
 - Kammer fuer MATenet 2Pos. NanoMQS female Insert module TE-PN 0-2302450-X
CAVITY FOR MATenet 2Pos. NanoMQS FEMALE INSERT MODULE TE-PN 0-2302450-X
 - Materialkennzeichnung
MATERIAL MARKING
 - TE-Logo
TE-LOGO
 - TE-Teile Nummer
TE-PART NUMBER
 - Revisionsstand
PART REVISION
 - Kontaktkammernummern
CONTACT CAVITY NUMBERS
 - Produktionsdatum
PRODUCTION DATE
 - Anlieferzustand: 2. Kontaktsicherung geöffnet
DELIVERY CONDITION: RETAINER IN OPEN POSITION
 - Verpackung: Schuetffgut im Beutel im Karton
PACKAGING: LOOSE PIECES IN BAG IN BOX

SHOWN IN END-LOCKED POSITION
 Darstellung in Endraststellung

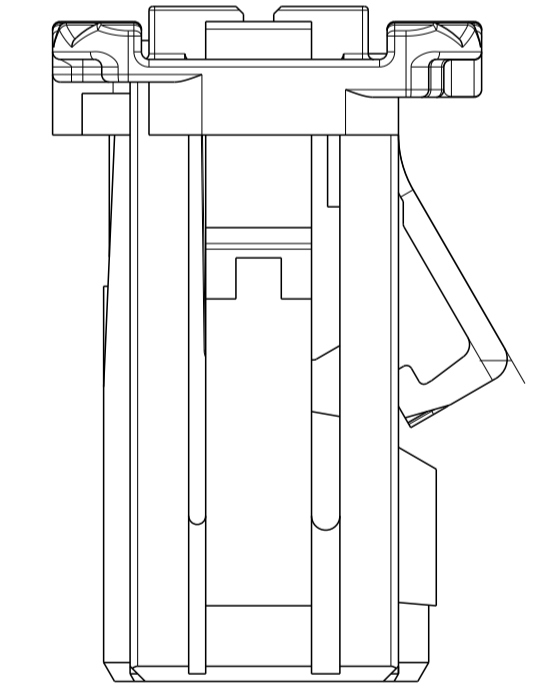
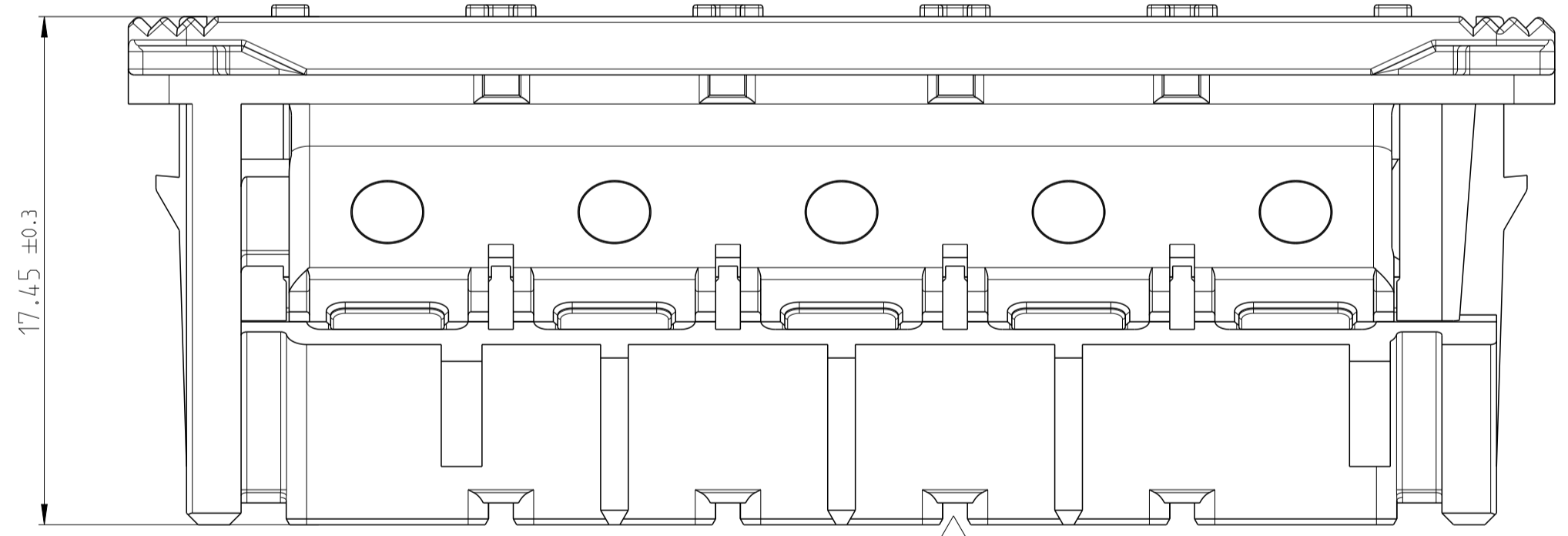
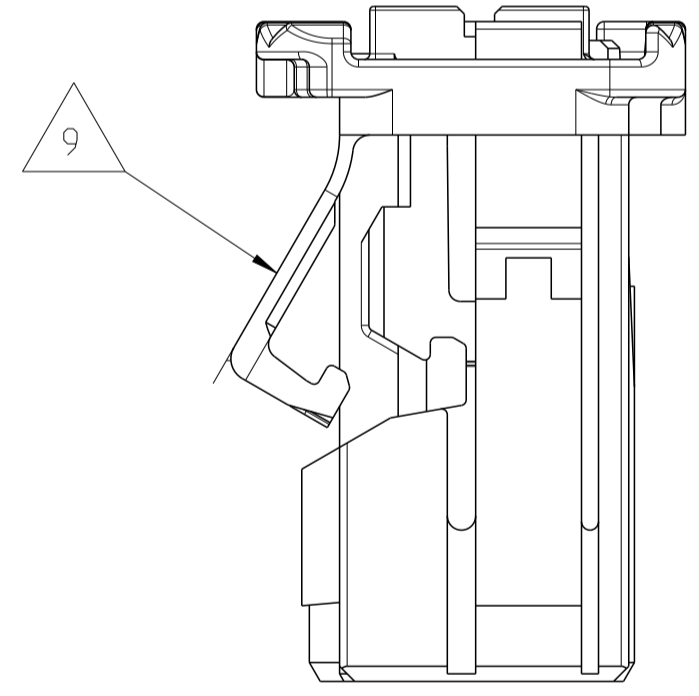
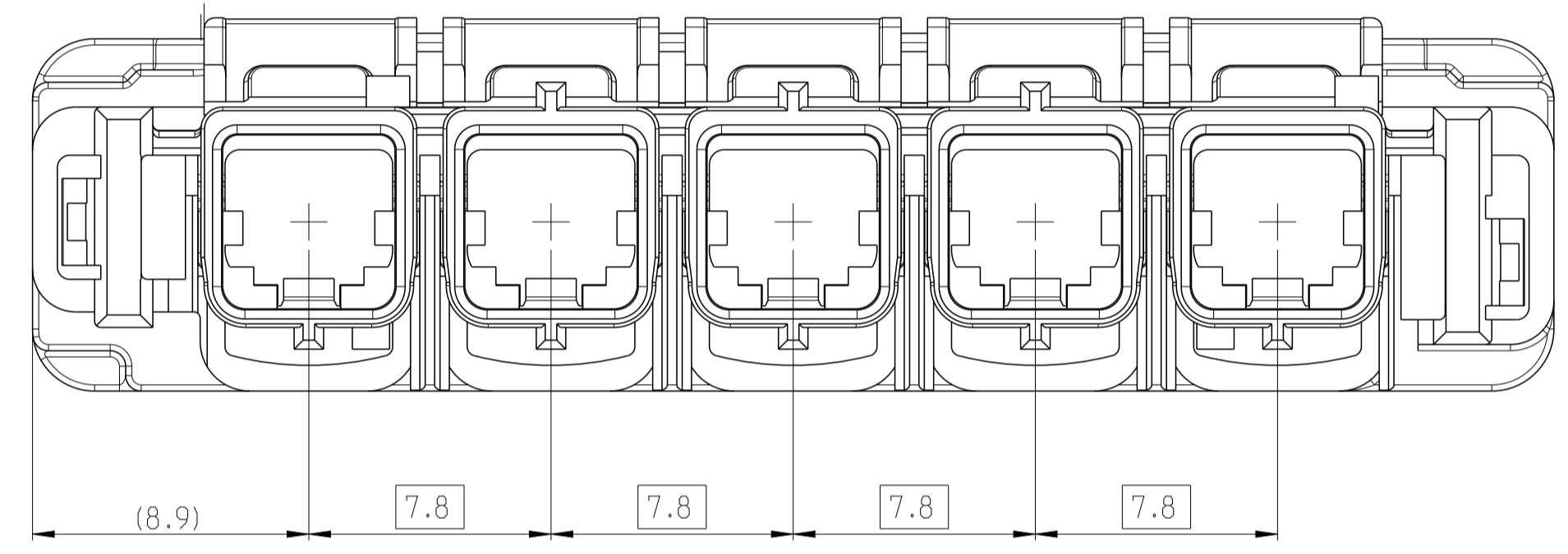
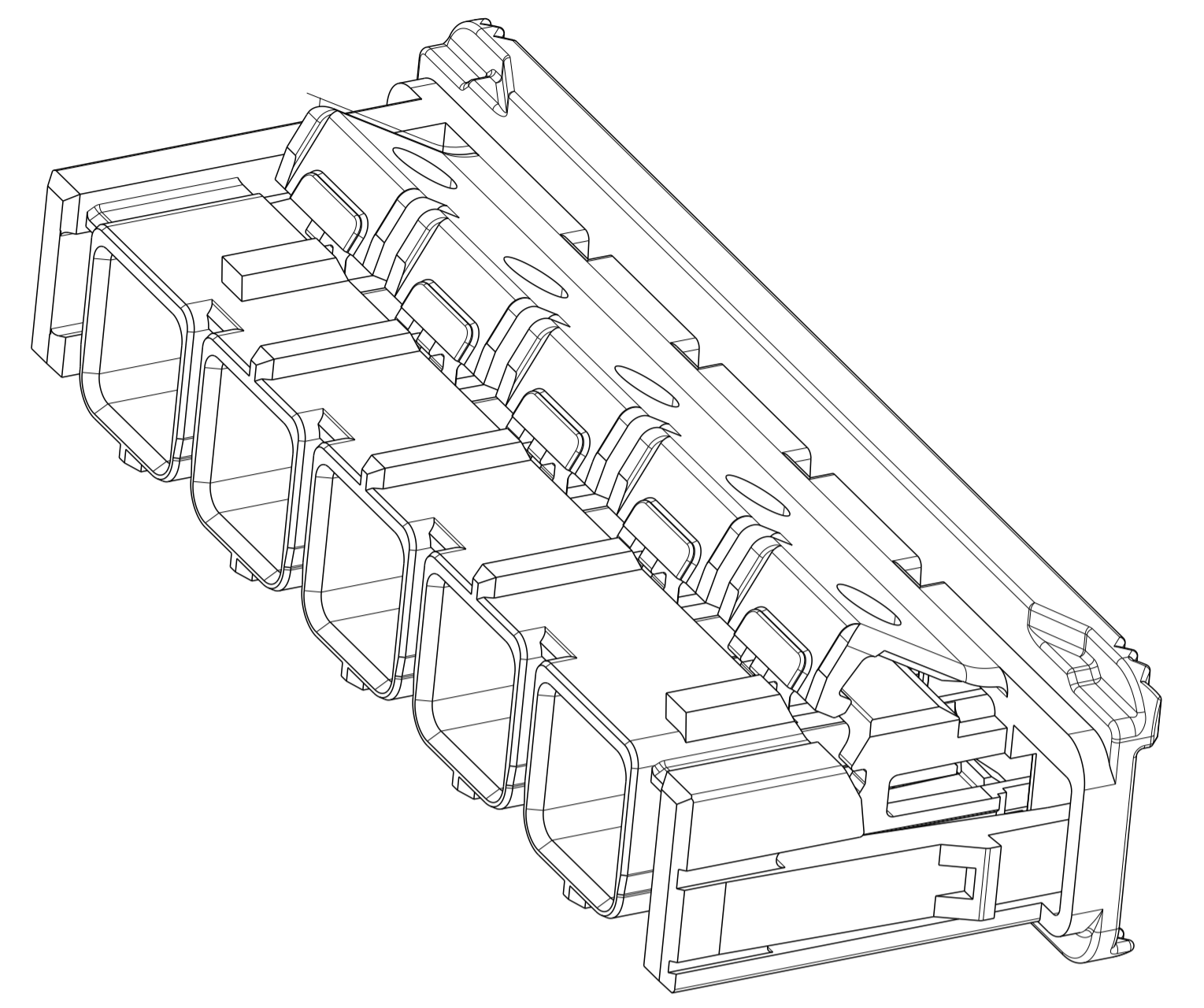
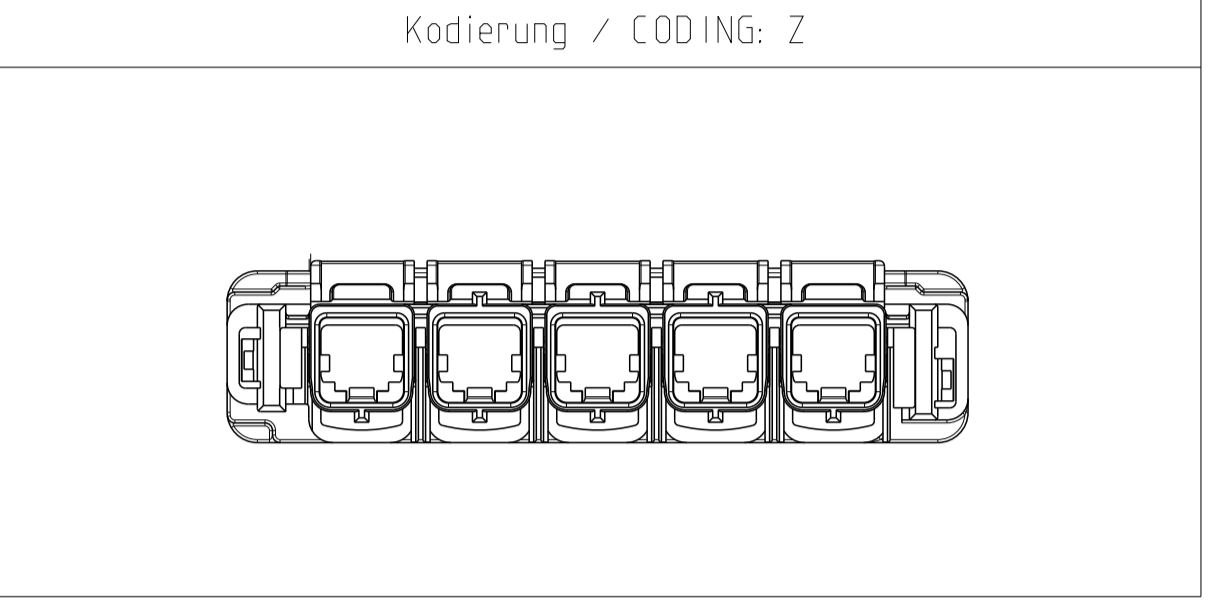
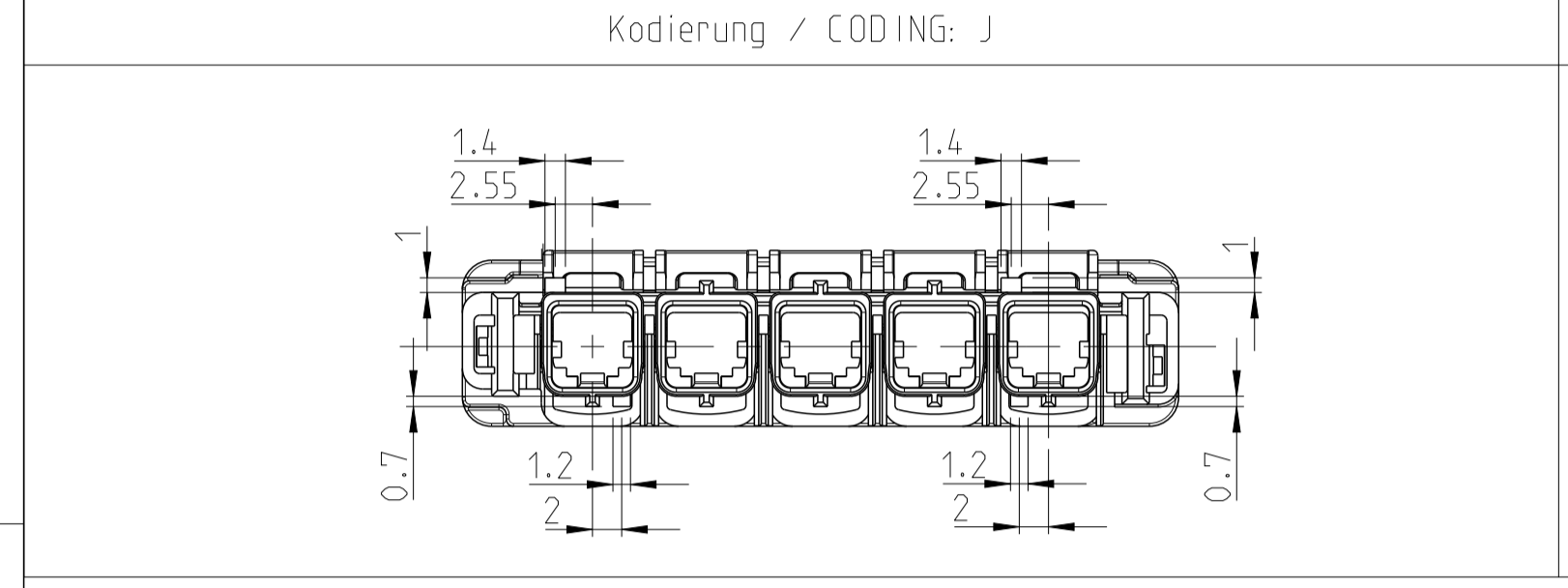
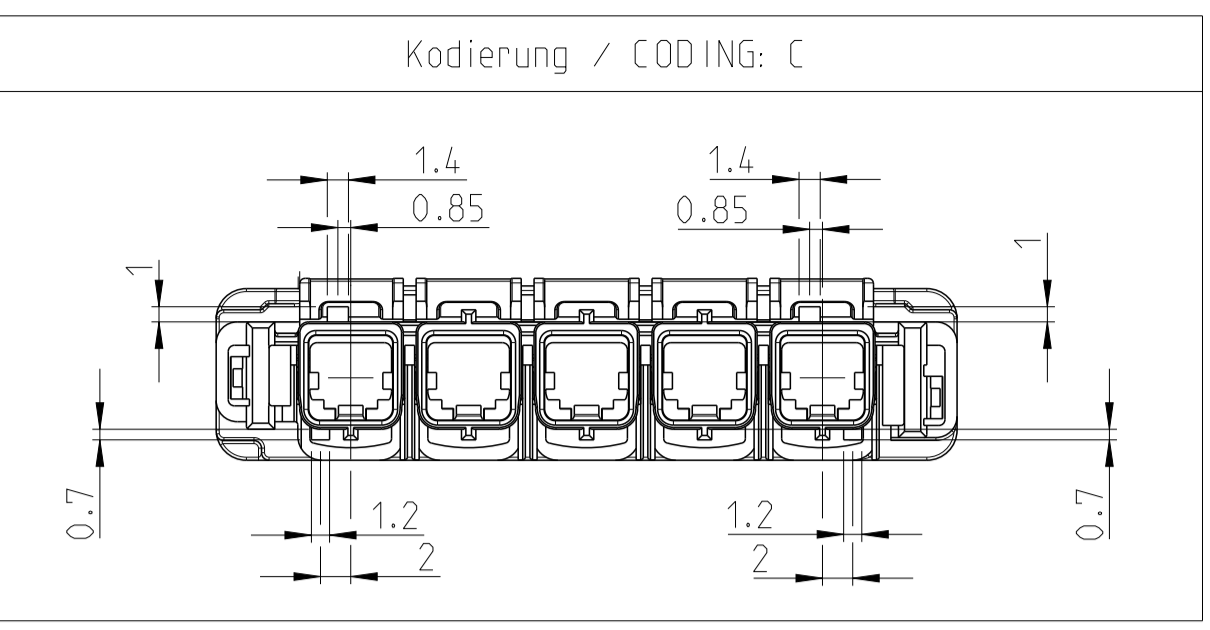
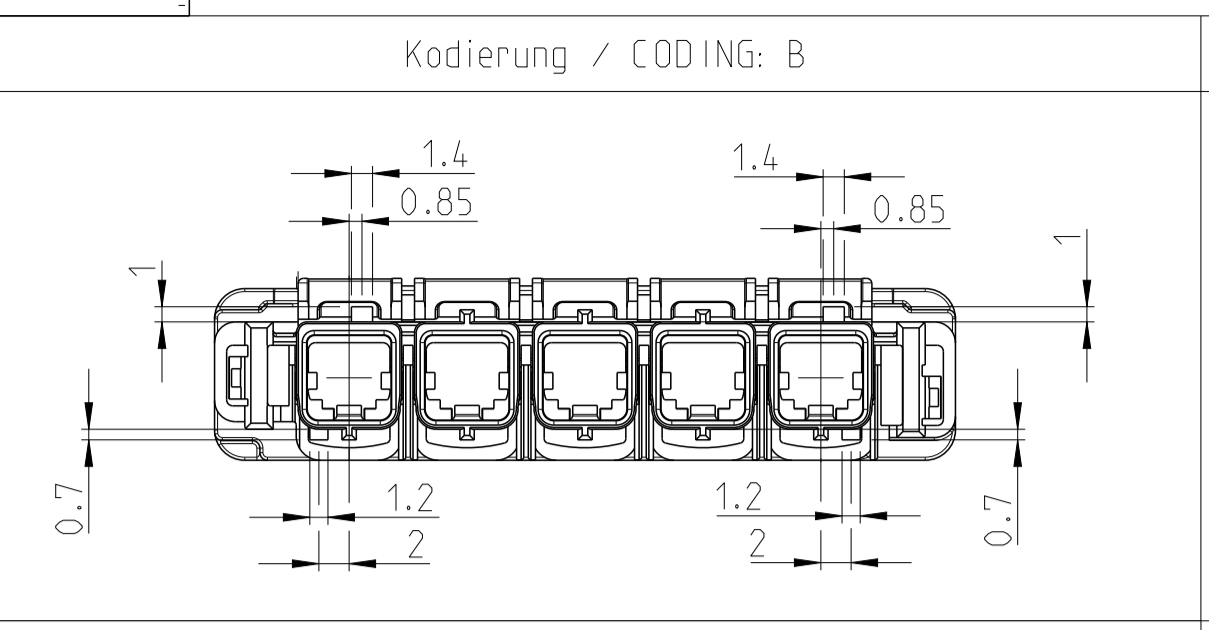
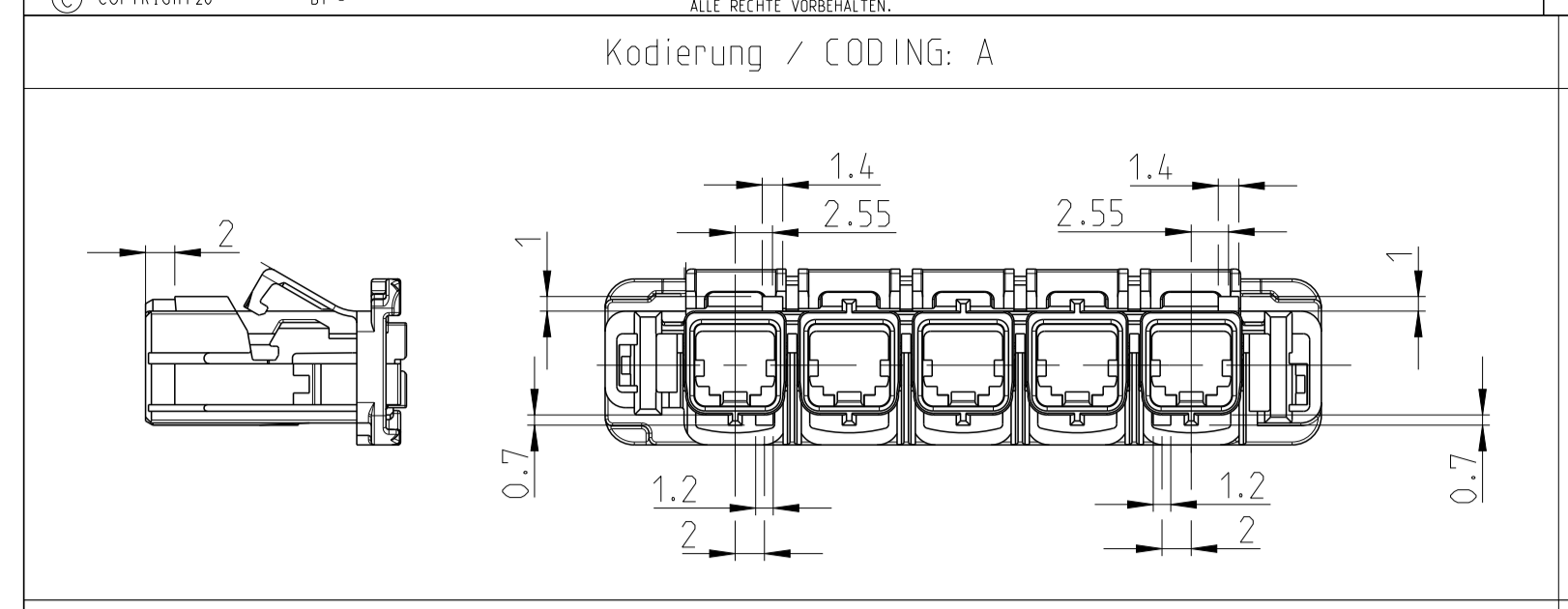


CODE	PART No.	Rev.	DESCRIPTION	MATERIAL	WEIGHT [g]	COLOUR similar RAL
Z	0-2302455-9	A	5-Port MATenet Frame, CODE Z	PBT-GF10 0% regrind	3.4	water-blue 5021
J	0-2302455-7	A	5-Port MATenet Frame, CODE J		3.4	Beige 1001
C	0-2302455-3	A	5-Port MATenet Frame, CODE C		3.4	blue 5012
B	0-2302455-2	A	5-Port MATenet Frame, CODE B		3.4	white 9010
A	0-2302455-1	A	5-Port MATenet Frame, CODE A		3.4	Black 9005

THIS DRAWING IS A CONTROLLED DOCUMENT.

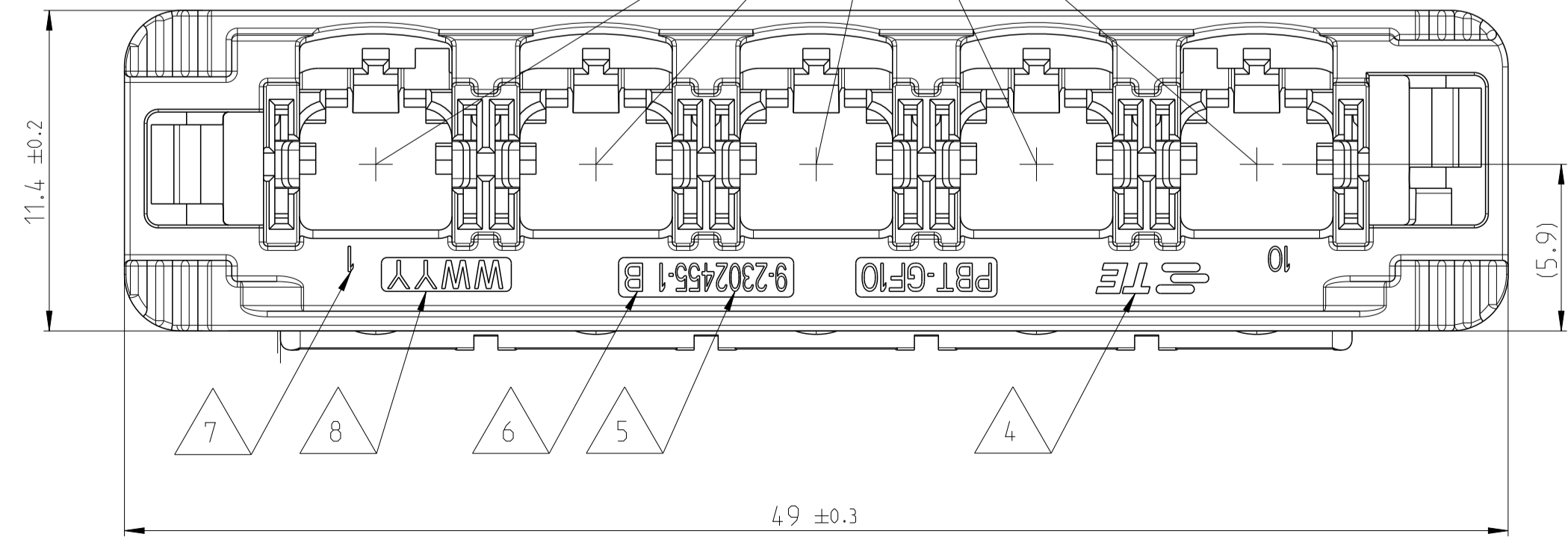
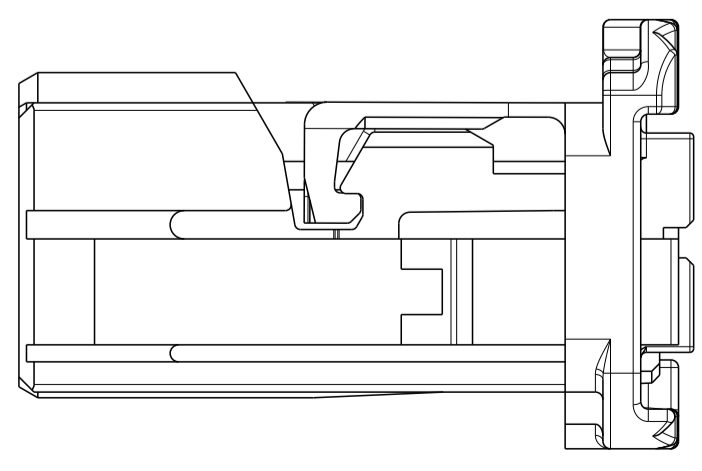
DIMENSIONS: MASSENHEITEN: mm	TOLERANCES UNLESS OTHERWISE SPECIFIED: ALLE DIMENSIONEN	DWN: J. KIESSWEITER 16AUG2016	APVD: R. WUERKER 16AUG2016	NAME: 5-Port MATenet Frame	RESTRICTED TO: NR FUER
0 PLC ±0.2	1 PLC ±0.1	APVD: A. KETTELER 29AUG2016	PRODUCT SPEC: 108-94568	SIZE: A1	00779
2 PLC ±0.1	3 PLC ±0.1	APPLICATION SPEC: 114-94431	VERARBEITUNGSPEZ: 114-94431	CAGE CODE: 0-2302455	SCALE: 5:1
4 PLC ±0.1	FINISH/SCHLEIF-FARBE: see table	WEIGHT: see table	CUSTOMER DRAWING	SCALE: 5:1	SHEET 1 OF 2
MATERIAL: see table	FINISH/SCHLEIF-FARBE: see table	WEIGHT: see table	CUSTOMER DRAWING	SCALE: 5:1	REV: B1

PROJEKT NR.:	REVISIONS ÄNDERUNGEN DESCRIPTION BESCHREIBUNG	DATE	DWN	APVD
-	SEE SHEET 1	-	-	-



- Notizen / NOTES:
- 9-2302455-1, Kodierung A wie dargestellt
9-2302455-1, CODING A AS SHOWN
 - Passend zu Stiftwanne nach TE-Schnittstellenzeichnung 208-18010
MATING TO PINHEADER ACC. TE-INTERFACE DRAWING 208-18010
 - Kammer fuer MATenet 2Pos. NanoMQS female Insert module TE-PN 9-2302450-X
CAVITY FOR MATenet 2Pos. NanoMQS FEMALE INSERT MODULE TE-PN 9-2302450-X
 - TE-Logo
TE-LOGO
 - TE-Teile Nummer
TE-PART NUMBER
 - Revisionsstand
PART REVISION
 - Kontaktkammernummern
CONTACT CAVITY NUMBERS
 - Produktionsdatum
PRODUCTION DATE
 - Anlieferzustand: 2. Kontaktsicherung geöffnet
DELIVERY CONDITION: RETAINER IN OPEN POSITION
 - Verpackung: Schuetzgut im Beutel im Karton
PACKAGING: LOOSE PIECES IN BAG IN BOX

2. Kontaktsicherung geschlossen
RETAINER CLOSED



B-MUSTER PROTOTYPE B-SAMPLES

CODE	PART No.	Rev.	DESCRIPTION	MATERIAL	WEIGHT [g]	COLOUR similar RAL
Z	9-2302455-9	B	5-Port MATenet Frame, CODE Z	PBT-GF10 0% regrind	3.0	water-blue 5021
J	9-2302455-7	B	5-Port MATenet Frame, CODE J		3.1	Beige 1001
C	9-2302455-3	B	5-Port MATenet Frame, CODE C		3.1	blue 5012
B	9-2302455-2	B	5-Port MATenet Frame, CODE B		3.1	white 9010
A	9-2302455-1	B	5-Port MATenet Frame, CODE A		3.1	Black 9005

THIS DRAWING IS A CONTROLLED DOCUMENT.

DIMENSIONS: MASSENHEITEN: mm

TOLERANCES UNLESS OTHERWISE SPECIFIED: TOLERANZEN

0 PLC ±0.2
1 PLC ±0.1
2 PLC ±0.05
3 PLC ±
4 PLC ±

FINISHES/BELEG: see table

WEIGHT: see table

CUSTOMER DRAWING

DWN: J. KIESSWEITER 16AUG2016
CHK: R. WUERKER 16AUG2016
APVD: A. KETTELER 29AUG2016

NAME: 5-Port MATenet Frame
5-PORT MATenet FRAME

SIZE: A1
CAGE CODE: 00779
DRAWING NO: 2302455

RESTRICTED TO: NUR FÜR: -

SCALE: 1:1
SHEET: 2 OF 2
REV: B1