

SAFETY ORGANIZATION(S):

THIS FILTER HAS BEEN FORMALLY RECOGNIZED, CERTIFIED OR APPROVED BY THE LISTED AGENCY. THEREFORE, ALL TEST/REQUIREMENTS SPECIFIED IN THE LATEST REVISION OF THE FOLLOWING AGENCY STANDARDS HAVE BEEN MET:

UL RECOGNIZED
 CSA CERTIFIED
 VDE APPROVED
 UL 1283
 CSA 22.2, NO.0,0.4,8
 VDE 565-3

OPERATING SPECIFICATIONS:

LINE VOLTAGE/CURRENT:
 20 AMP., 120/250 VAC
 16 AMP./40°C, 250VAC
 50-60Hz
 40°C
 LINE FREQUENCY:
 .5mA at 120V 60 Hz
 1.0 mA at 250V 50 Hz
 MAX. CASE RISE @ RATED CURRENT:
 MAX. LEAKAGE CURRENT, EACH LINE TO GROUND
 OPERATING AMBIENT TEMP. RANGE:
 -10°C TO +40°C @ RATED CURRENT, I_r

IN AN AMBIENT, T_a, HIGHER THAN 40°C, THE MAXIMUM OPERATING CURRENT, I_o, IS AS FOLLOWS:

$$I_o = I_r \sqrt{\frac{85-T_a}{45}}$$

RELIABILITY SPECIFICATIONS:

STORAGE TEMPERATURE:
 -40°C TO +85°C
 HUMIDITY:
 21 DAYS @ 40°C 95% RH
 CURRENT OVERLOAD TEST:
 6 TIMES RATED CURRENT FOR 8 SECONDS

TEST SPECIFICATIONS:
 INDUCTANCE:
 .44 mH NOMINAL
 CAPACITANCE: (MEASURED @ 1 KHz, 0.25 VAC MAX., 25°C ±1°C)
 LINE TO GROUND:
 .011µF ±20%
 LINE TO LINE:
 .203µF ±20%
 DISCHARGE RESISTOR
 1.5MΩ
 LINE/GROUND AND LINE/LINE
 INSULATION RESISTANCE
 6000 MΩ (MIN) AT 100 VDC
 20°C AND 50% RH

RECOMMENDED RECEIVING INSPECTION HIPOT:

LINES TO GROUND:
 2250 VDC FOR 1 MINUTE
 LINE TO LINE:
 1450 VDC FOR 1 MINUTE

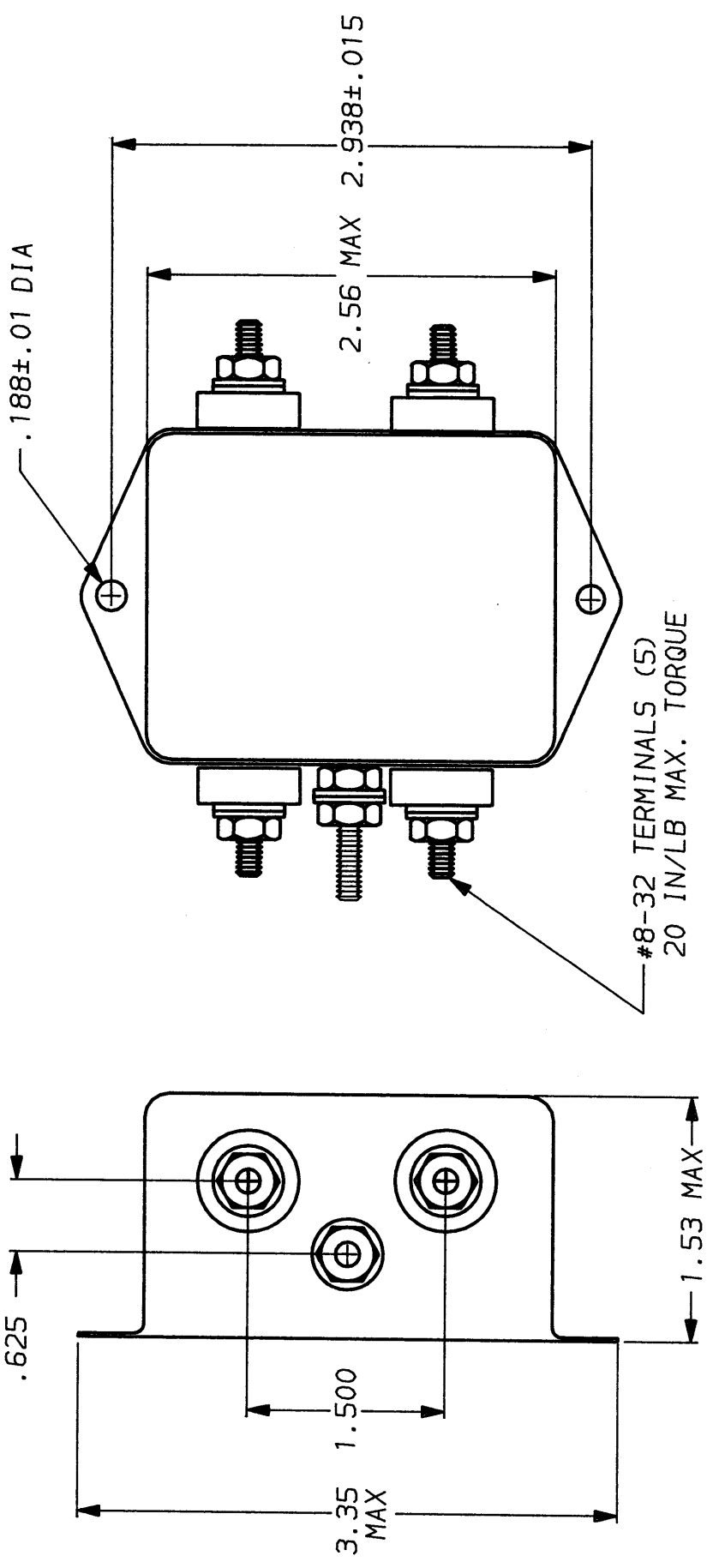
FILTER APPROVAL:

THE BEST WAY TO SELECT AND QUALIFY A FILTER IS FOR YOUR ENGINEERING TO TEST THE UNIT IN YOUR EQUIPMENT.

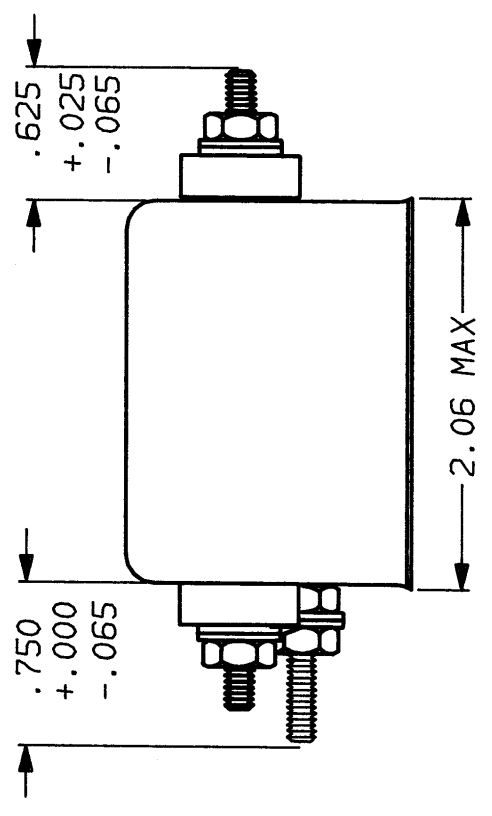


50Ω - 50Ω (MINIMUM) INSERTION LOSS									
FREQUENCY MHz	.15	.5	1	2	5	10	20	30	
COMMON dB	9	26	35	39	43	47	48	50	
DIFF. dB	5	7	45	55	50	30	30	30	

This document is proprietary to CORCOM INC. and is not to be reproduced nor used for manufacturing purposes except on CORCOM's order or prior written consent.



#8-32 TERMINALS (5)
 20 IN/LB MAX. TORQUE



TOLERANCE EXCEPT AS NOTED
 DECIMAL: .XXX .XX .X ANGLES ± 1°
 ENGLISH: ±.025
 METRIC: ±
 MATERIAL:
 AS SUPPLIED

FINISH:
 AS SUPPLIED

SCALE DATE 7-31-90
 NTS
 DRW. BY CFM
 ORIGINATOR CFM

DRG. NO. 20VK6.03
 REV. 03

CORCOM
 LIBERTYVILLE, IL 60048
 POWER LINE FILTER