

Cable gland with clamping jaw

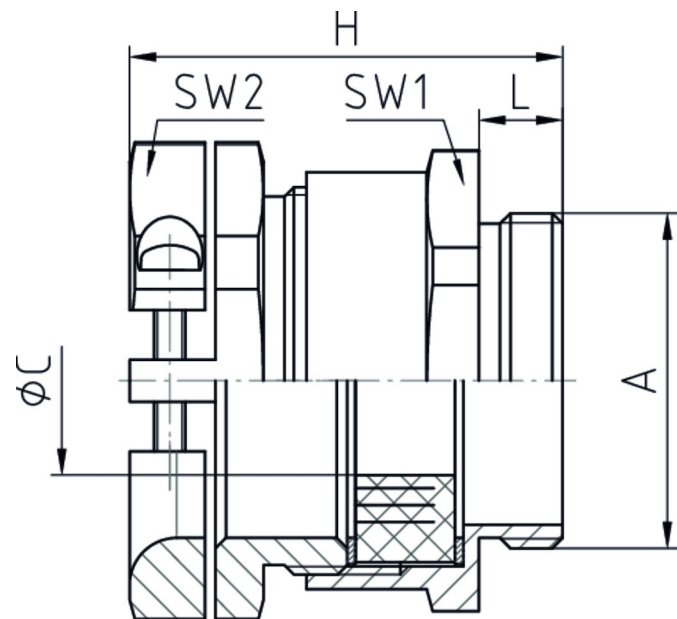
19.5xxMxx

Pressure screw	Brass CuZn39Pb3, nickel-plated
Bolts	Stainless steel
Washers	Steel, zinc-plated
Sealing ring	SBR/NBR, multiple perforation
Gland body	Brass CuZn39Pb3, nickel-plated
Connecting thread	metric, as per EN 60423



Properties


	<ul style="list-style-type: none"> increased, central anchorage
Temperature range	-30 °C +100 °C
Protection grade	IP55



Features

Connecting thread standard length

A	ØC	L	SW1	SW2	H	VPE	Part No.
M12x1,5	5,5 - 7	6	14	16	29,5	100	19.507M12
M12x1,5	6,5 - 8	6	17	19	30	100	19.509M12
M16x1,5	7,5 - 11,5	6	20	22	32	50	19.511M16
M20x1,5	7,5 - 11,5	6,5	22	22	33	50	19.511M20
M20x1,5	8,5 - 11,5	6,5	22	24	33	50	19.513M20
M25x1,5	11,5 - 14,5	7	27	26	35,5	50	19.516M25
M25x1,5	12 - 18,5	7	30	34	39,5	50	19.521M25
M32x1,5	19 - 26,5	8	40	42	42,5	25	19.529M32
M40x1,5	19 - 32,5	8	43	42	42,5	25	19.529M40
M50x1,5	26,5 -	9	55	52	50	10	19.536M50

A	ØC	L	SW1	SW2	H	 VPE	Part No.
	32,5						
M50x1,5	30 - 38,5	9	57	59	53	5	19.542M50
M63x1,5	35 - 44,5	10	65	64	55	5	19.548M63

* Clamping range of anchorage