

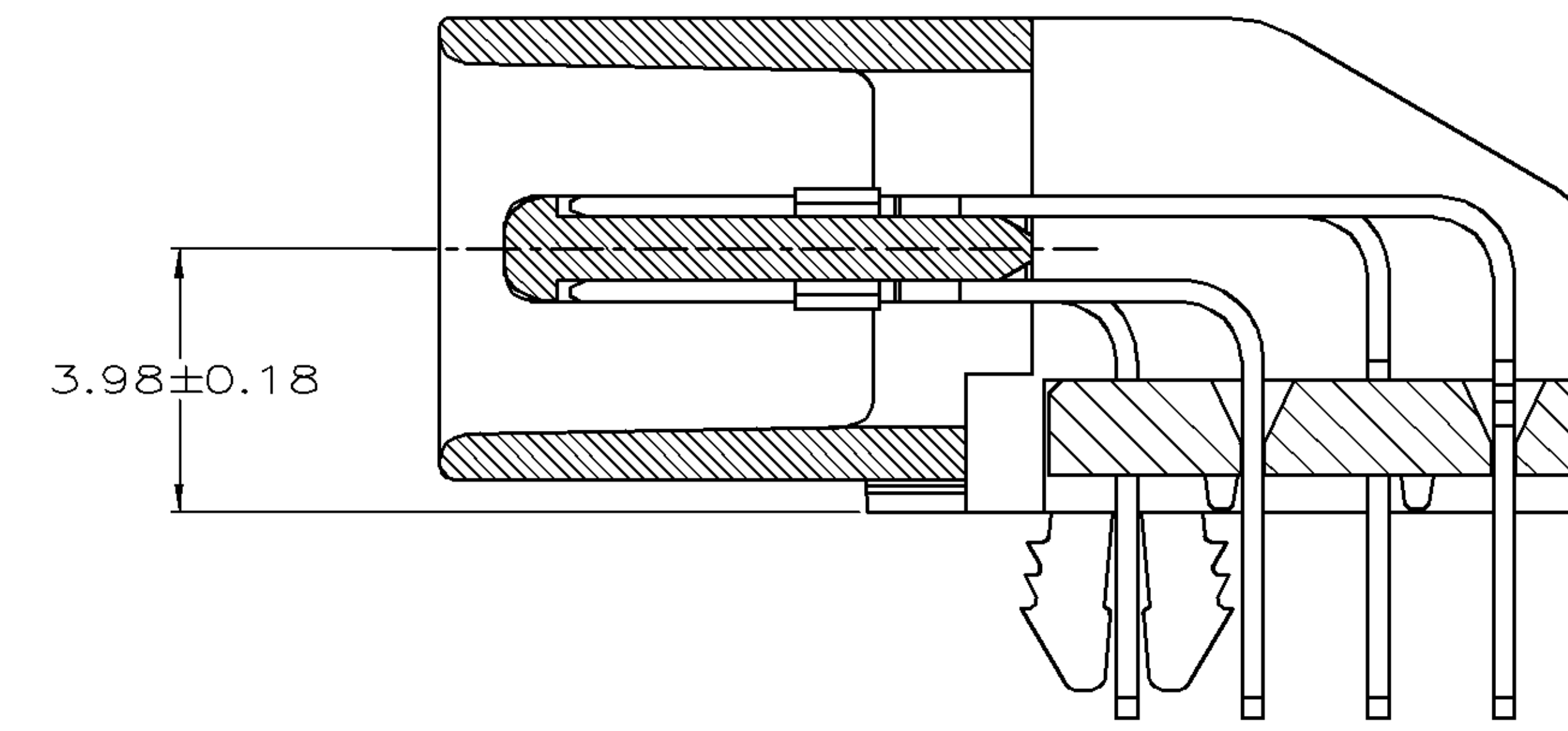
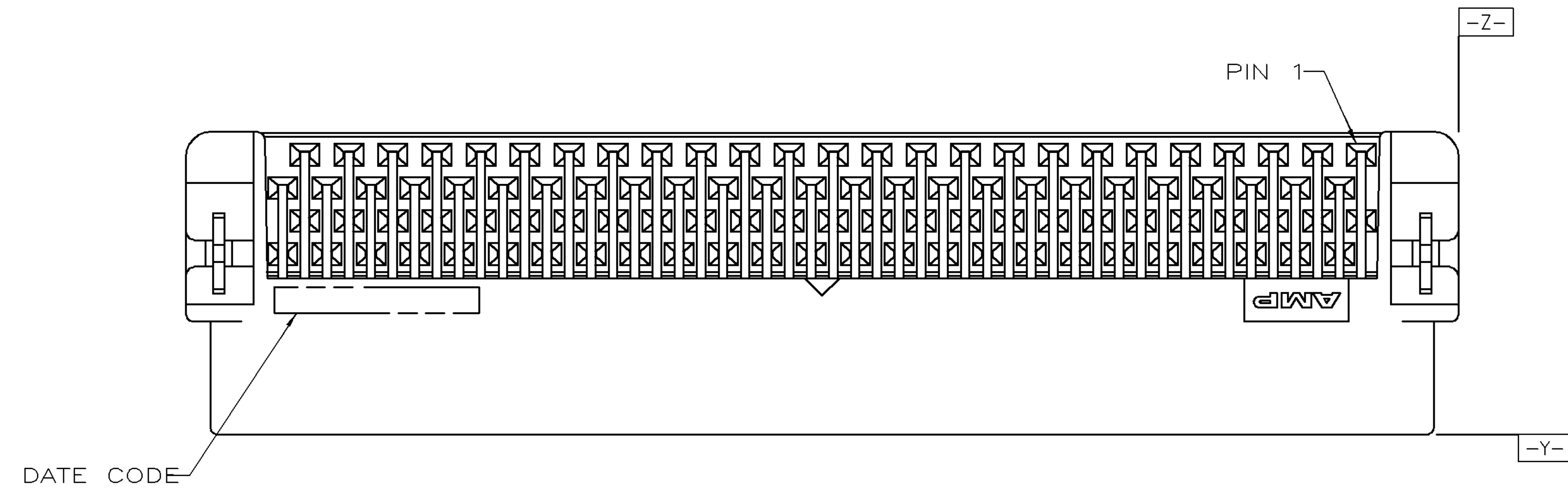
NUMBER
C-1734832

3RD ANGLE PROJECTION

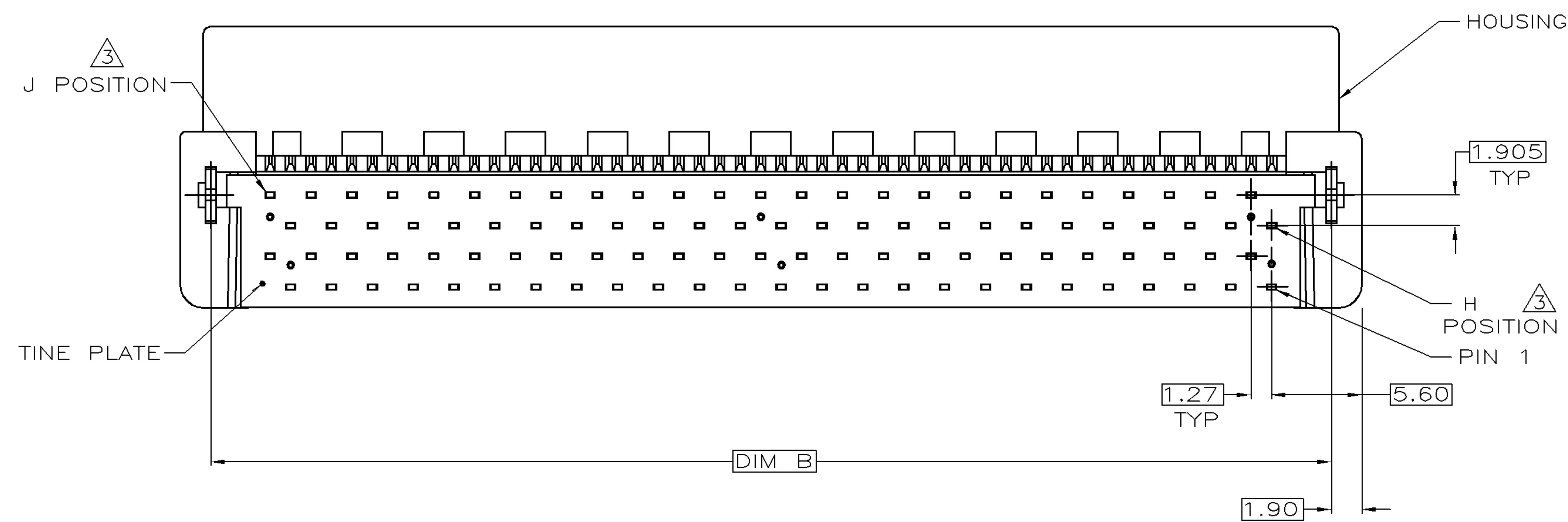
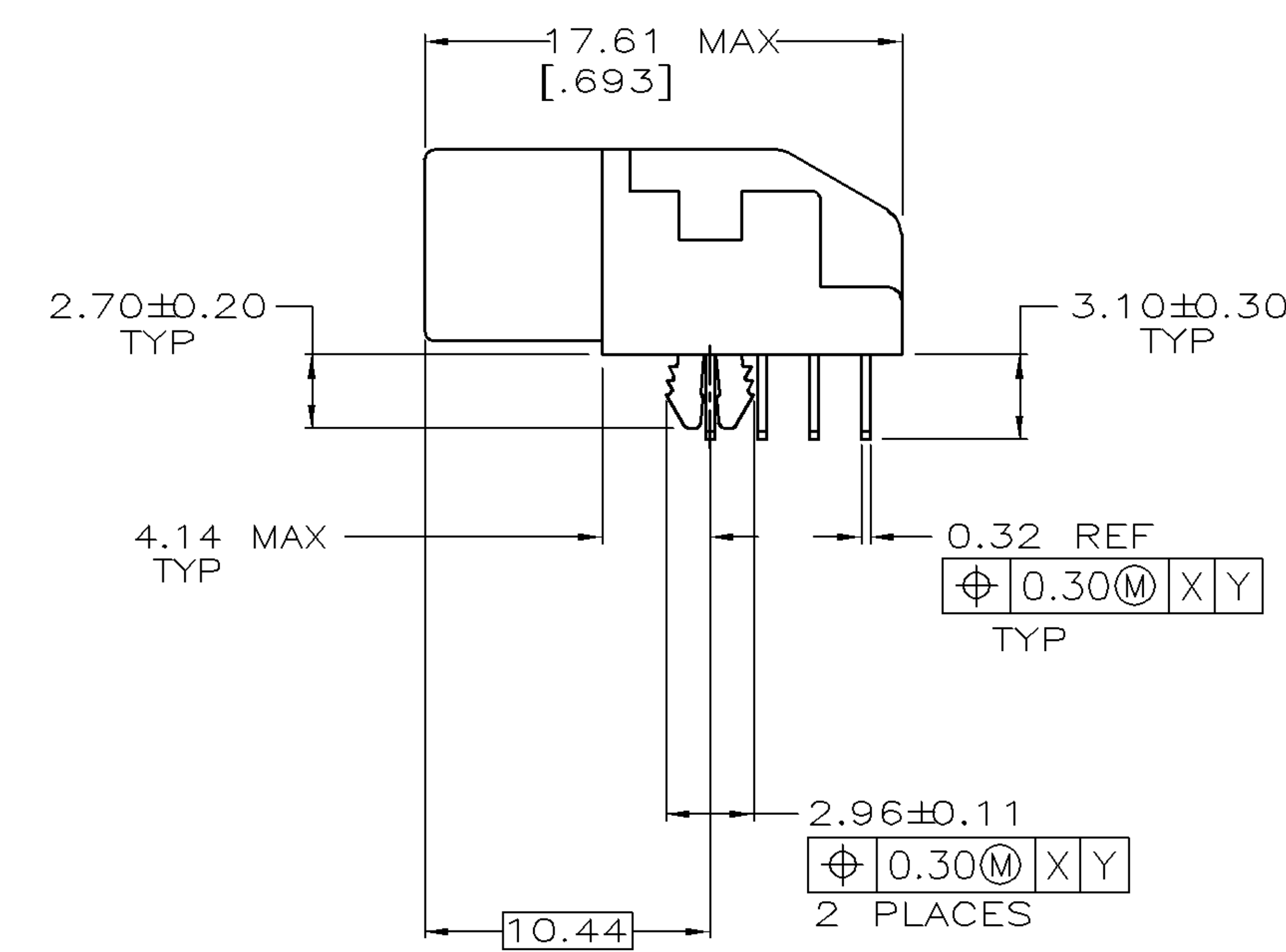
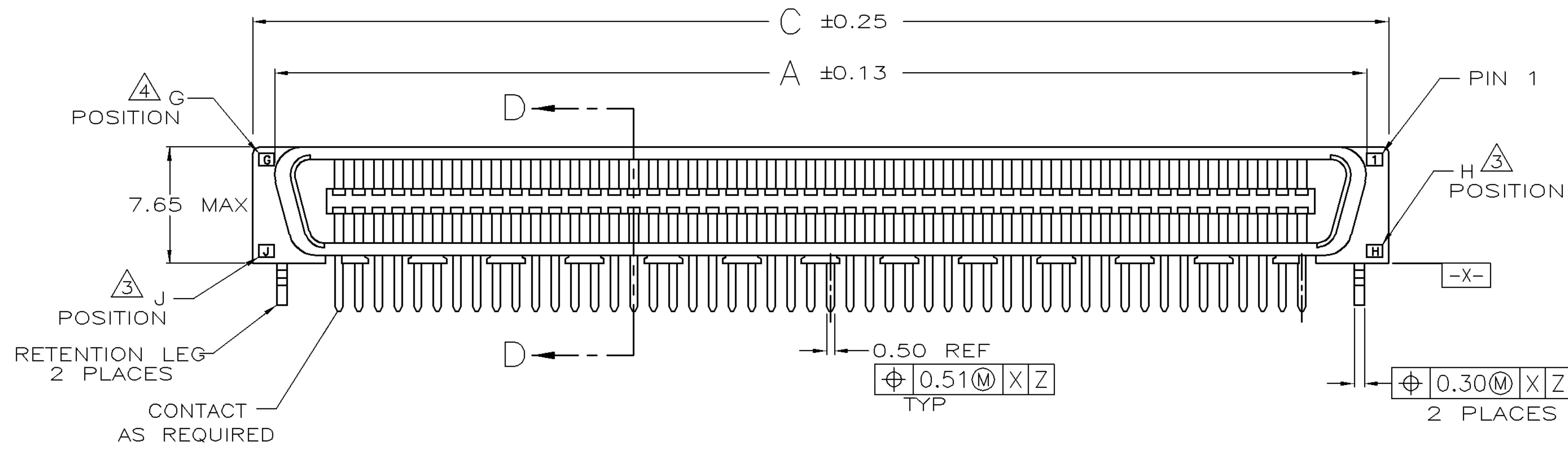
METRIC

THIS INFORMATION IS CONFIDENTIAL AND IS DISCLOSED TO YOU ON CONDITION THAT NO FURTHER DISCLOSURE IS MADE BY YOU TO OTHER THAN AMP PERSONNEL WITHOUT WRITTEN AUTHORIZATION FROM AMP (TAIWAN) LTD. DIMENSIONS IN MILLIMETERS. DO NOT SCALE PRINT.

PRINT
DW



SECTION D-D
SCALE 8:1



	120	61	60	86.13	82.33	83.27	120	1734832-2
(A1) OBSOLETE	80	41	40	60.73	56.93	57.87	80	1734832-1
	J	H	G	C	B	A	POS.	PART NUMBER

△ HOUSING AND TINE PLATE: LCP, 94V-0, BLACK.
CONTACT: PHOSPHOR BRONZE.
RETENTION LEG: BRASS.

△ CONTACT: 0.38µm MIN GOLD FOR A LENGTH OF 2.00 MIN FOR A LENGTH OF 1.00 MAX FROM MATING END,
3.75µm MATTE TIN FOR A LENGTH OF 3.40 MIN FROM OPPOSITE END, BOTH OVER 1.27µm MIN NICKEL.
RETENTION LEG: 3.81µm MIN TIN-CU OVER 1.27µm MIN NICKEL.

△ G, J AND H INDICATE NUMBER OF POSITION MARKED ON ASSEMBLY. SEE TABLE.

- CONNECTOR WILL ACCOMMODATE PRINTED CIRCUIT BOARD THICKNESS OF 0.80 TO 1.60.
- ALWAYS RoHS/ELV COMPLIANT
- WAVE SOLDER CAPABLE TO 265°C PER TYCO SPEC 109-202, CONDITION B.

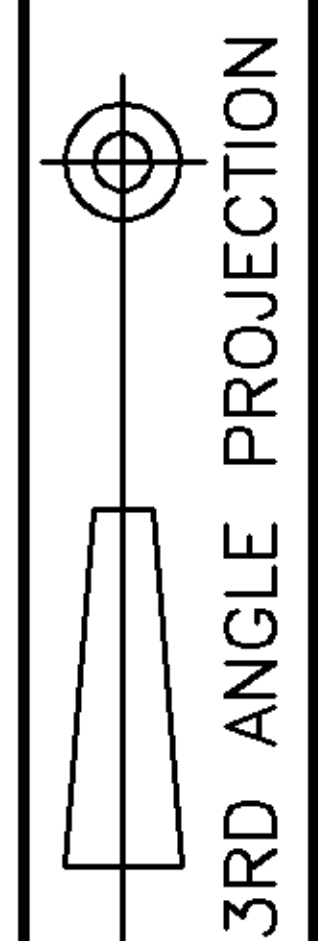
A1	-	ECR-12-013103	K.M E.T	26MAR2013
A	CHANGE PLATING SPEC	ECR-06-024892	OH SH	27OCT 2006
O	FIRST RELEASED	FZ00-0022-04	OH SH	04FEB 2005
LTR	REVISION RECORD	ECN	DWN CHK	DATE

DIMENSION : 0 PLC ± 1 PLC ± 2 PLC ± 3 PLC ± ANGLES : ±		DWN O. HU 24-OCT-2006				
MATERIAL		CHK S. HOU 24-OCT-2006				
FINISH		APVD W.J. KE 24-OCT-2006	NAME PLUG ASSEMBLY, RIGHT ANGLE, BOARD-TO-BOARD, CHAMP .050, SERIES I			
		PRODUCT SPEC 108-1367	LOC	SIZE A ₃	DRAWING NO C-1734832	REV A1
		APPLICATION SPEC 114-6045	SCALE	SHEET 1 OF 2		
		WEIGHT				

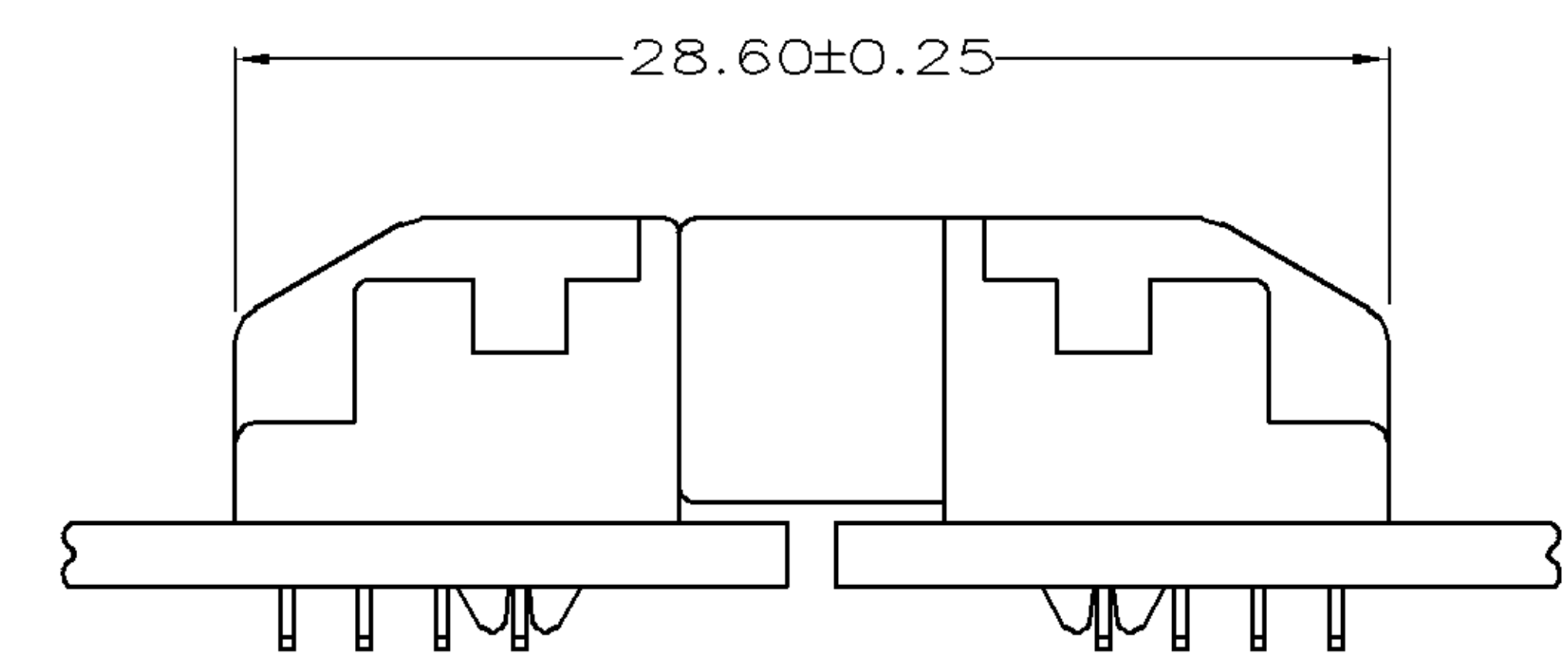
THIS INFORMATION IS CONFIDENTIAL AND IS DISCLOSED TO YOU ON CONDITION THAT NO FURTHER DISCLOSURE IS MADE BY YOU TO OTHER THAN AMP PERSONNEL WITHOUT WRITTEN AUTHORIZATION FROM AMP (TAIWAN) LTD. DIMENSIONS IN MILLIMETERS. DO NOT SCALE PRINT.

PRINT DIST
DW

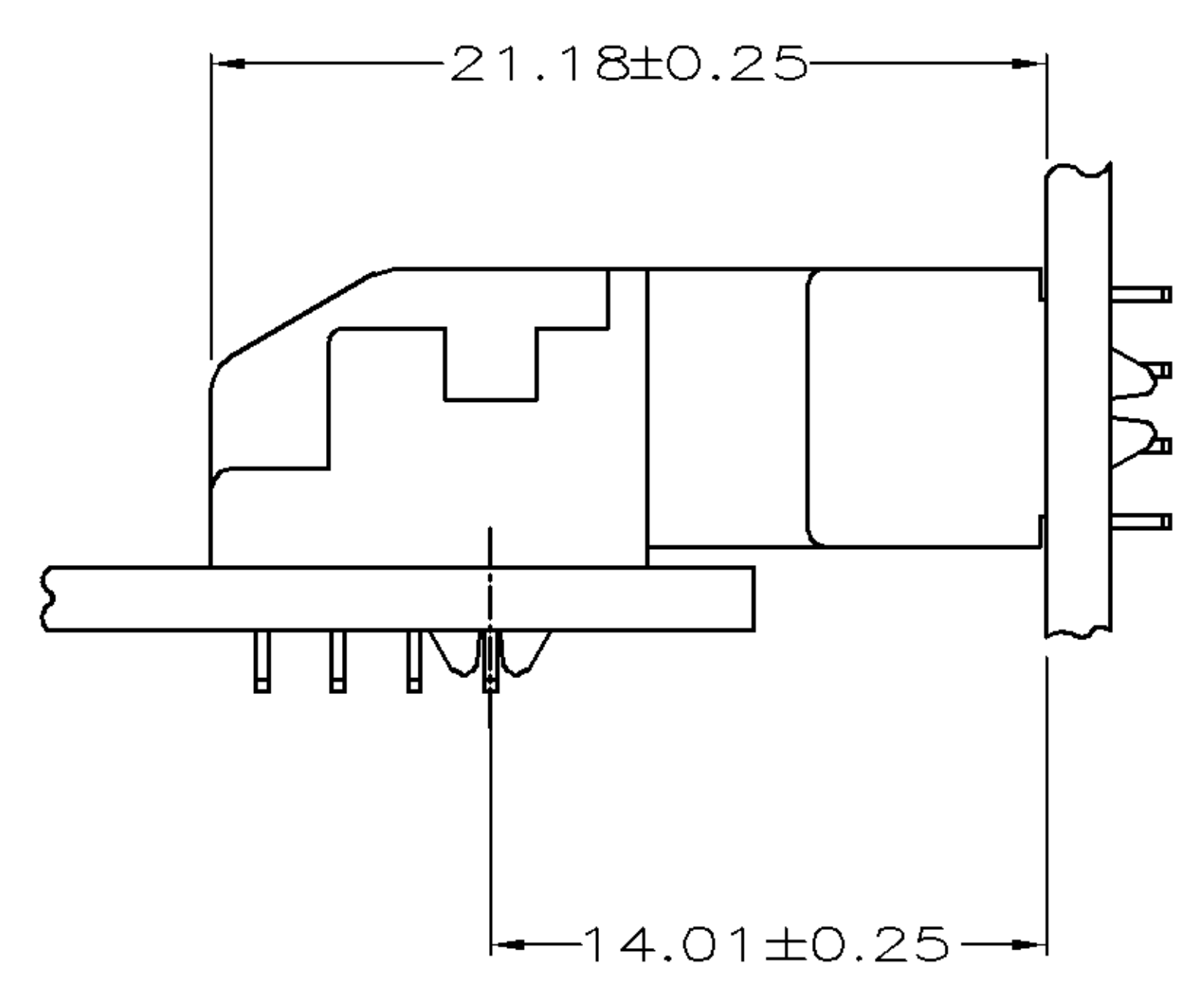
METRIC



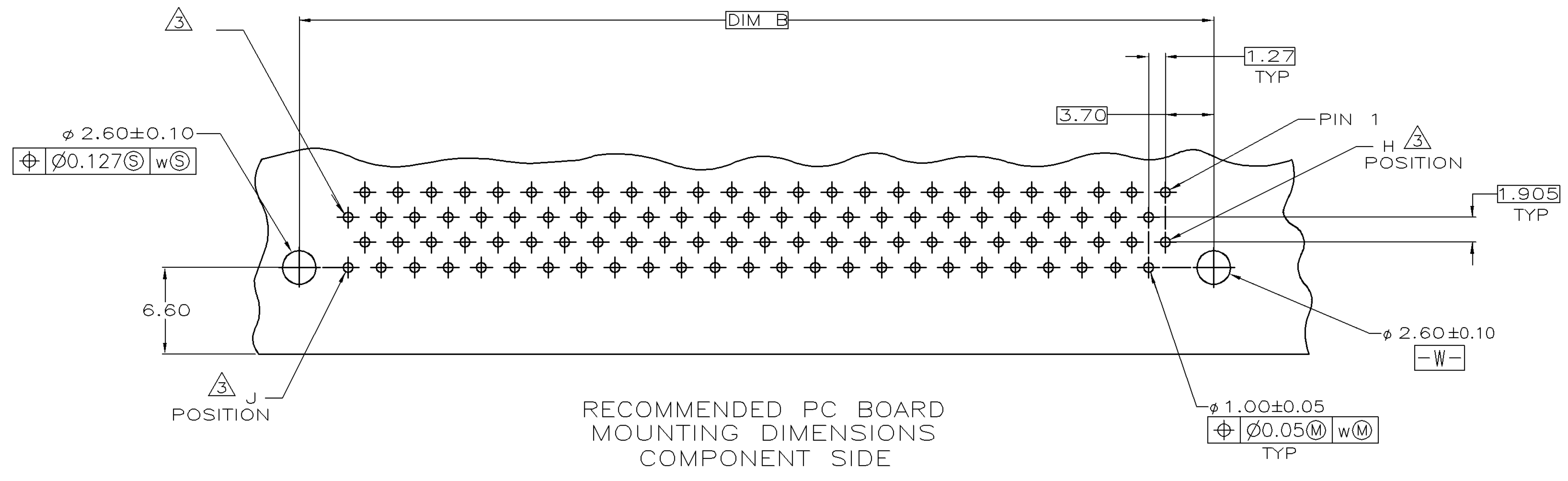
NUMBER
C-1734832



RIGHT ANGLE PLUG ASSEMBLY MATED TO RIGHT ANGLE RECEPTACLE ASSEMBLY



RIGHT ANGLE PLUG ASSEMBLY MATED TO VERTICAL RECEPTACLE ASSEMBLY



RECOMMENDED PC BOARD MOUNTING DIMENSIONS COMPONENT SIDE

LTR	SEE SHEET 1.	ECN	DWN	CHK	DATE
	REVISION RECORD				

DIMENSION : 0 PLC ± 1 PLC ± 2 PLC ± 3 PLC ± ANGLES : ±'	DWN	O. HU	TE Connectivity NAME PLUG ASSEMBLY, RIGHT ANGLE, BOARD-TO-BOARD, CHAMP .050, SERIES I			
		24-OCT-2006				
MATERIAL SEE NOTE	CHK	S. HOU	APVD	LOC SIZE DRAWING NO REV DW A ₃ C-1734832 A1		
		24-OCT-2006	W.J. KE 24-OCT-2006			
FINISH SEE NOTE	PRODUCT SPEC		APPLICATION SPEC	SCALE	SHEET	
	WEIGHT			--	2 OF 2	