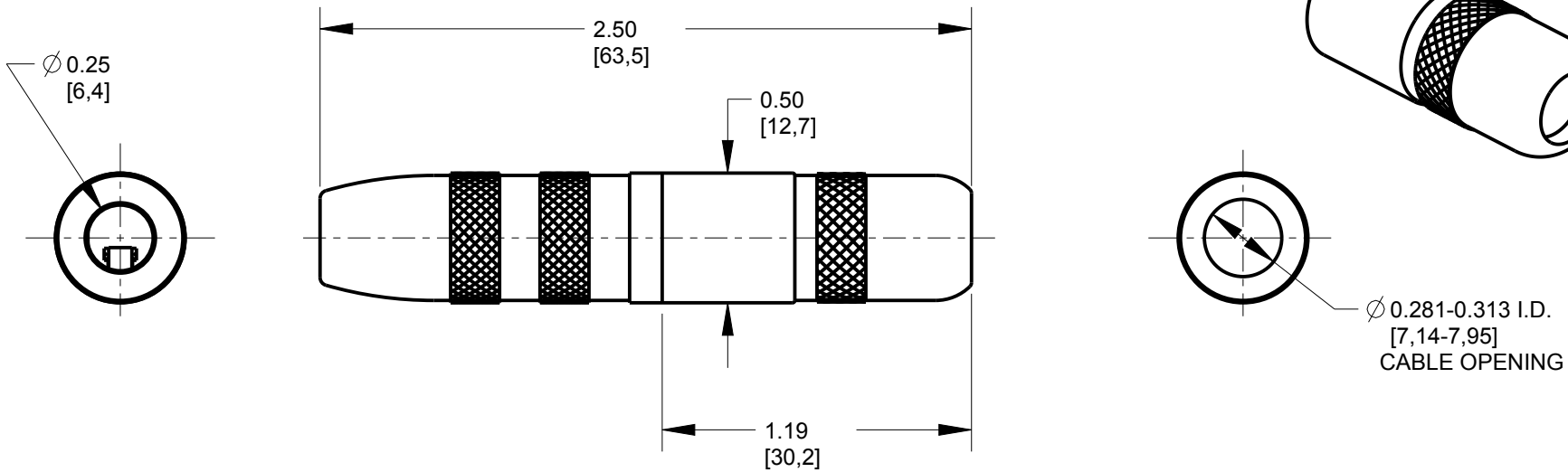
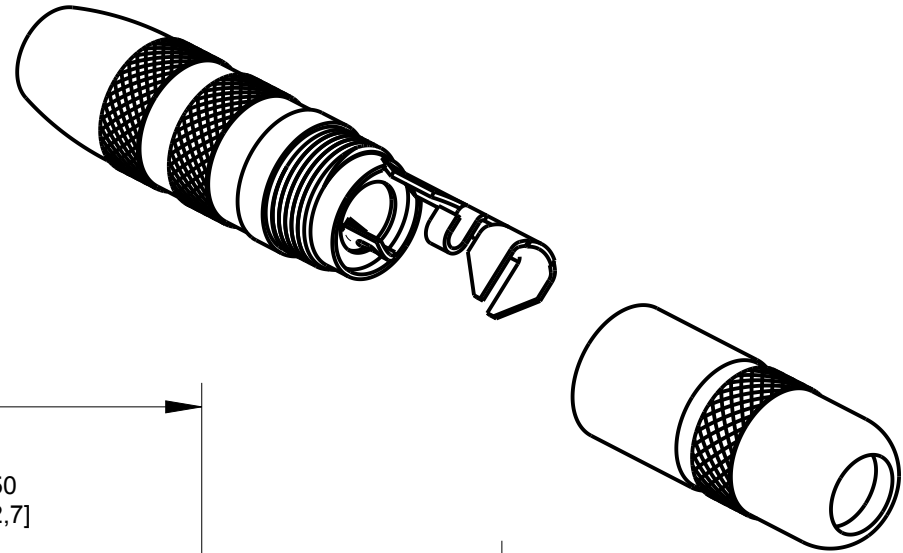


**MATERIALS**

BODY, SLEEVE AND  
 SHIELDED HANDLE - NICKEL PLATED COPPER ALLOY  
 SPRINGS - SPECIAL COPPER ALLOY  
 INSULATION - THERMOPLASTIC  
 CLAMP TERMINAL - TIN PLATED COPPER ALLOY



**CUSTOMER DRAWING**

					★ STAR SYMBOL DENOTES CRITICAL DIMENSION	THIS DRAWING DESCRIBES A DESIGN CONSIDERED PROPRIETARY IN NATURE, DEVELOPED AND MANUFACTURED BY SWITCHCRAFT INC. AND IS RELEASED ON A CONFIDENTIAL BASIS FOR IDENTIFICATION PURPOSES ONLY.				
					UNLESS OTHERWISE SPECIFIED 1. ALL DIMENSIONS IN INCHES -TWO PLACE DECIMALS ±0.01 -THREE PLACE DECIMALS ±0.005 -ANGLES ±1° -ALL DIA. CONCENTRIC WITHIN 0.005 T.I.R. 2. FEATURES ON THE SAME CENTERLINE MUST BE ALIGNED WITHIN ±0.002 3. REMOVE ALL BURRS	SIZE	WIDTH	MULT	LBS/M	TEMPER
						FINISH	MATERIAL			
						SPEC No.			SPEC No.	
						FIRST USED ON		SCALE 3:2		
G	28138	02-14-19	PC	TJK		DATE DRAWN	BY	CHKD	APVD	<b>Switchcraft®</b>
F	23647	10-28-02	JL	JF		28-Oct-02	JL	JF 10-28-02	JF 10-28-02	
REV	ECO NUMBER	DATE	BY	APVD		NAME			PART No.	
<b>REVISIONS</b>					<b>DO NOT SCALE DRAWING</b>	EXTENSION JAX ( 2 COND.)			SHEET 1 OF 1	
									121	
									REV G	