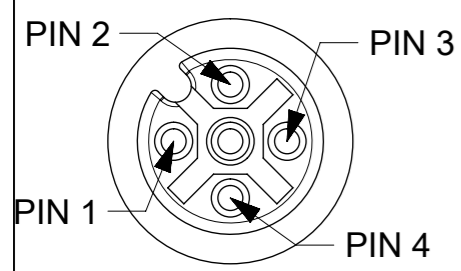
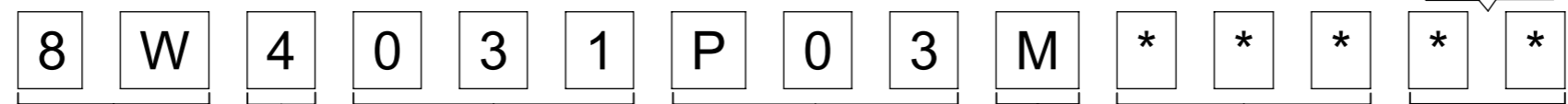


M12 4 POLE FEMALE VIEW FROM THE FRONT SIDE



Pin	Wire Kolor
1	BROWN
2	WHITE
3	BLUE
4	BLACK

PART No MATRIX

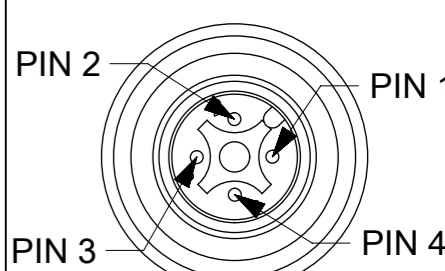


88 = M12xM12U DOUBLE ENDED
 POLES: 4=4 POLES
 HEADER: 031 = FEMALE RIGHT ANGLED - MALE STRAIGHT
 CABLE TYPE
 UNIT: M = METER, F = FEET, A = INCHES, C = CENTIMETERS
 LENGTH: EXAMPLE: 010 = 1 UNIT, 050 = 5 UNIT, 100 = 10 UNIT

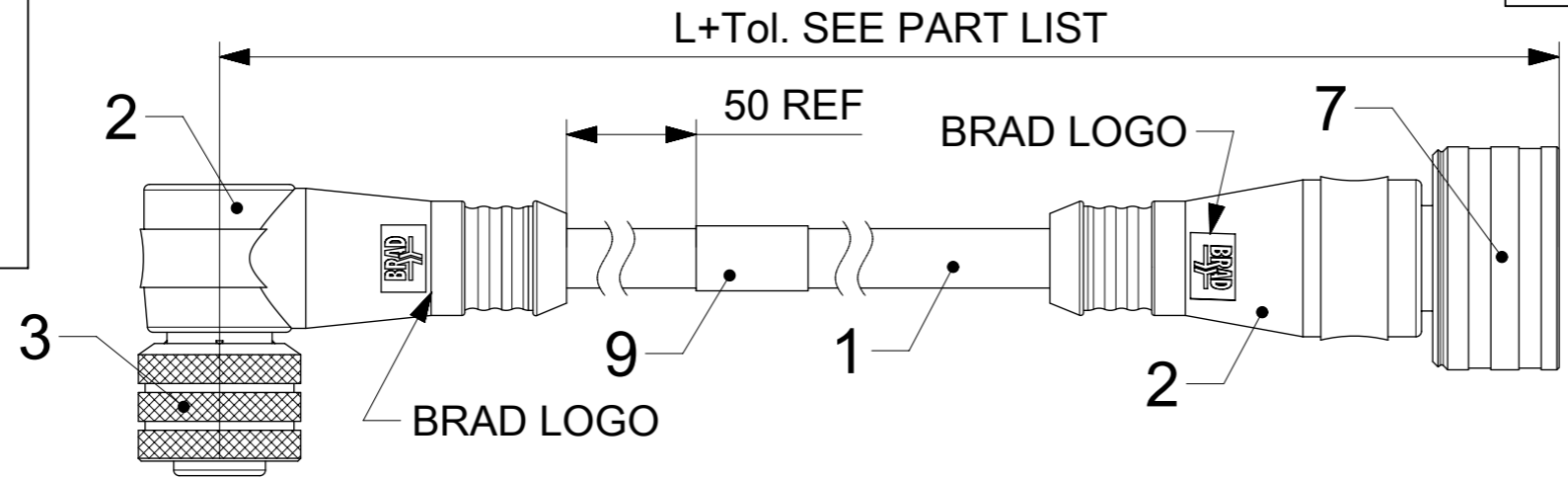
OPTIONS

H = 2 PCS. OF I/D CARRIER
 COUPLIN NUT:
 BLANK = KNU
 1, 8 = STAINLESS STEEL
 5 = DERLIN
 7 = TEFLON KNU
 9 = KNU/HEX
 OVERMOULD:
 BLANK = BLACK
 A = GREY
 G = BLACK
 Y = YELLOW

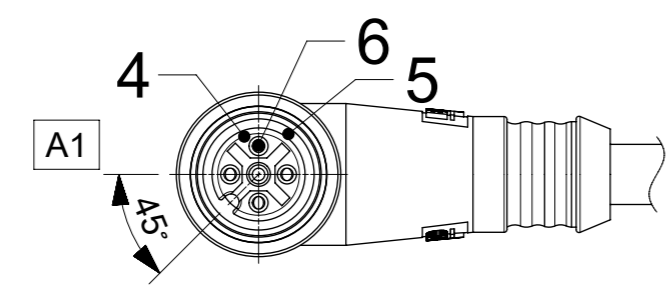
M12U 4 POLE MALE VIEW FROM THE FRONT SIDE



Pin	Wire Kolor
1	BROWN
2	WHITE
3	BLUE
4	BLACK



VIEW FROM THE FRONT SIDE



VIEW FROM THE FRONT SIDE

ITEM	QTY.	DESCRIPTION	MATERIAL	FINISH
9	1	LABEL STANDARD YE	VINYL	-
8	4	CONTACT MA	BRASS	GOLD OVER Ni-PLATED
7	1	ULTRA-LOCK MA 4P	-	-
6	4	CONTACT FE	BRONZE	GOLD OVER Ni-PLATED
5	1	GASKET RD	FPM	-
4	1	INSERT M12 FE 4P BK	PUR	-
3	1	COUPLING NUT FE M12	BRASS	Ni-PLATED
2	-	MOULDING MATERIAL BK	TPU	-
1	-	CABLE 4x0.34 BK	PUR	-

PART LIST

MOLEX PN	ENGINEERING No	L [mm]
1200808006	8W4031P03M050	5000
1200808010	8W4031P03M020	2000
1200808013	8W4031P03M030	3000
1200808014	8W4031P03M040	4000
1200808022	8W4031P03M006	600
1200808152	8W4031P03M010	1000

TABLE OF LENGTH TOLERANCES		
OVER	UP TO AND INCLUDING	TOLERANCE (+)
0	305	+19
305	915	+45
915	1830	+56
1830	3660	+89
3660	7320	+165
7320	14640	+317
14640	30500	+610
30500	>	+2% OF LENGTH

CHANGES SEE REVISION MARKING A1 CHANGED POSITION K-WAY

THIS DRAWING CONTAINS INFORMATION THAT IS PROPRIETARY TO MOLEX ELECTRONIC TECHNOLOGIES, LLC AND SHOULD NOT BE USED WITHOUT WRITTEN PERMISSION

QUALITY SYMBOLS	2016/09/20	2016/09/29	GENERAL TOLERANCES (UNLESS SPECIFIED)	DIMENSION UNITS	SCALE
FA = 0	EC NO: 108911	CHK'D: MIWASIECZKO	ANGULAR TOL ± °	MM	1:1
FE = 0	DRWN: MMATLA	REV APPR: MIWASIECZKO	4 PLACES ±	DRWN BY	DATE
FB = 0			3 PLACES ±	AKONDRACIUK	2016/09/13
FC = 0			2 PLACES ±	CHK'D BY	DATE
FD = 0			1 PLACE ±	MIWASIECZKO	2016/09/14
FE = 0			0 PLACES ±	APPR BY	DATE
FF = 0			DRAFT WHERE APPLICABLE MUST REMAIN WITHIN DIMENSIONS	MIWASIECZKO	2016/09/14
FG = 0				DRAWING SIZE	THIRD ANGLE PROJECTION
				A3	

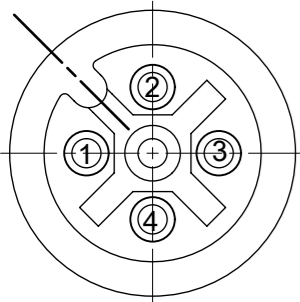
UL.M12-4P-FE/M-90/ST-XM-PUR

PRODUCT CUSTOMER DRAWING

SERIES	MATERIAL NUMBER	CUSTOMER
120080	SEE PART LIST	

DOCUMENT NUMBER	DOC TYPE	DOC PART	SHEET NUMBER
1200808006	PSD	00P	1 OF 1

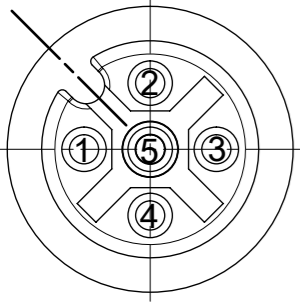
FEMALE M12 4 POLE



VIEW FROM THE FRONT SIDE

PIN	WIRE COLOR
1	BN
2	WH
3	BU
4	BK

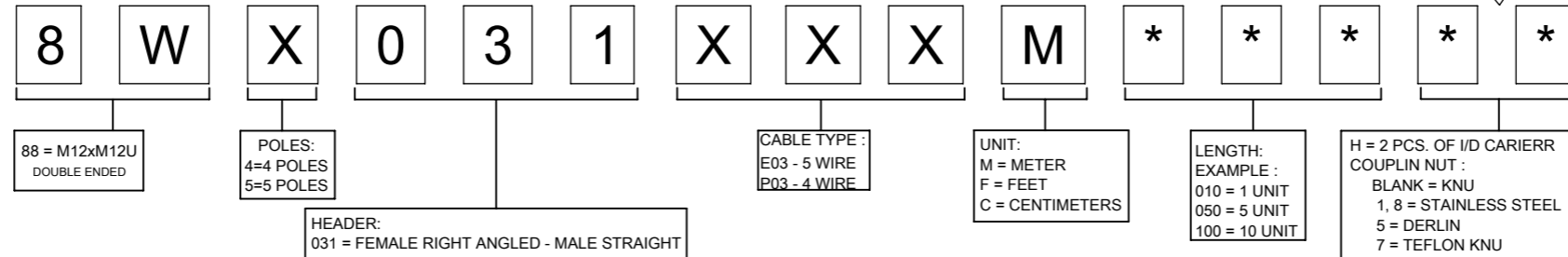
M12 5 POLE



VIEW FROM THE FRONT SIDE

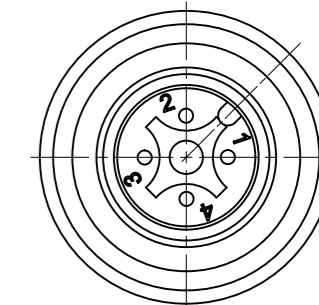
PIN	WIRE COLOR
1	BN
2	WH
3	BU
4	BK
5	GY

PART No MATRIX



OPTIONS

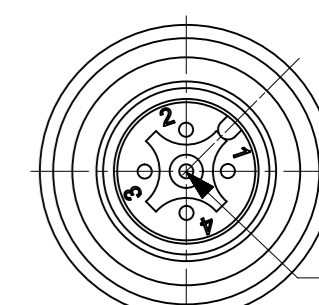
MALE M12U 4 POLE



VIEW FROM THE FRONT SIDE

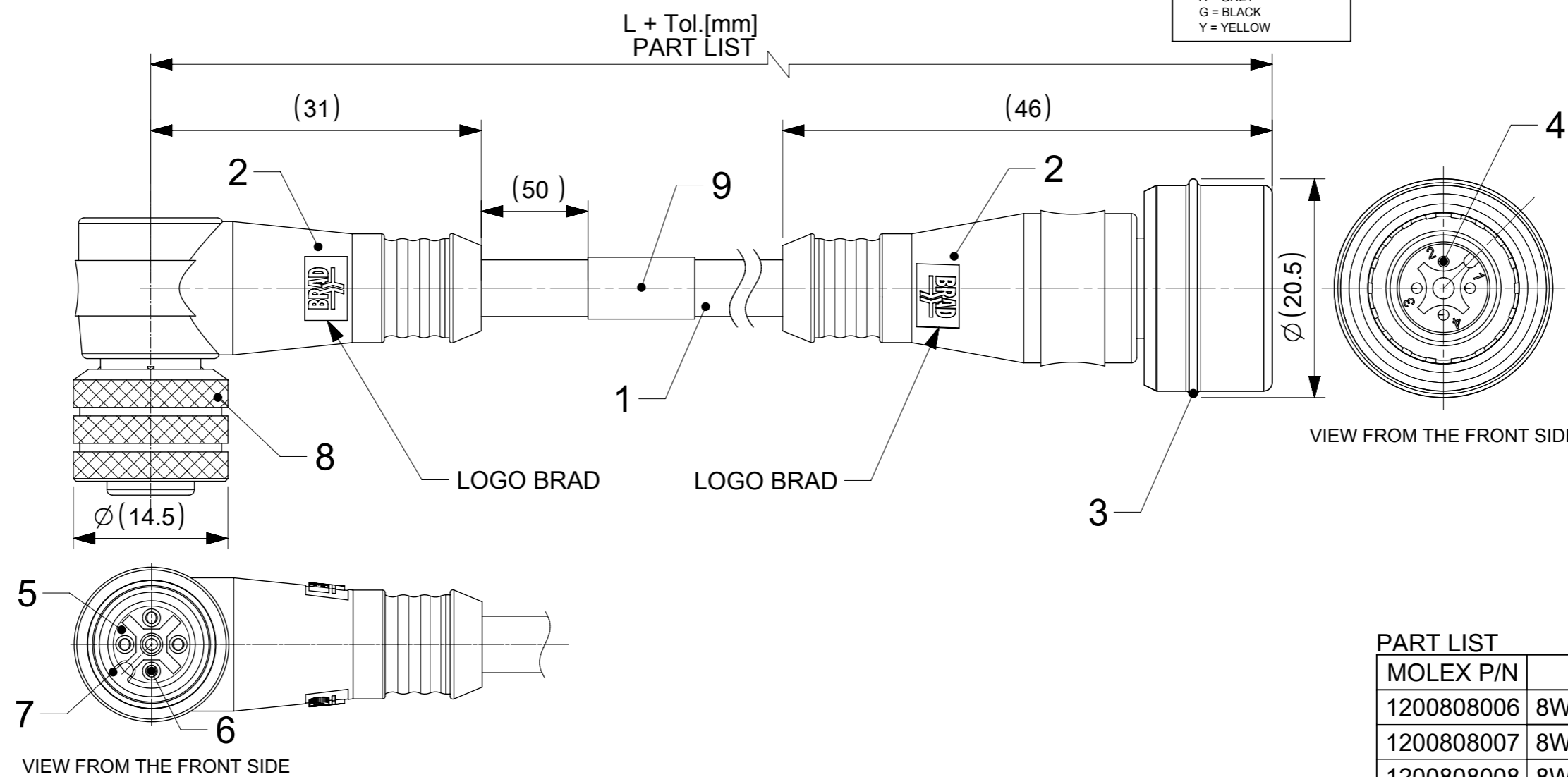
PIN	WIRE COLOR
1	BN
2	WH
3	BU
4	BK

M12U 5 POLE



VIEW FROM THE FRONT SIDE

PIN	WIRE COLOR
1	BN
2	WH
3	BU
4	BK
5	GY



CABLE LIST

CABLE TYPE	NO. OF WIRES	CROSS SECTION	CABLE JACKET	UL	CSA	STATIC: TEMP. / BENDING RADIUS	DYNAMIC: TEMP. / BENDING RADIUS
E03	5	0.34mm ²	PVC BLACK	UL 2464/1729	C22.2 I/II A/B 80°/300V	-30°C to +80°C, 10xO.D.	-10°C to +80°C, 15xO.D.
P03	4	0.34mm ²	PUR / PVC BLACK	-	-	-30°C to +80°C, 7xO.D.	-5°C to +80°C, 15xO.D.

BOM

ITEM	QTY	DESCRIPTION	MATERIAL	COLOR/FINISH
9	1	LABEL	VINYL	YELLOW
8	1	COUPLING NUT	BRASS	Ni-PLATED
7	1	GASKET	FPM	RED
6	4/5	FEMALE CONTACT	BRASS	Au OVER Ni-PLATED
5	1	INSERT FEMALE 4/5 POLE	TPU	BLACK
4	4/5	MALE CONTACT	BRASS	Au OVER Ni-PLATED
3	1	ULTRALOCK MALE 4/5 POLE ASSEMBLY	-	-
2	-	OVERMOULD	TPU	BLACK
1	-	CABLE	PVC/PUR	BLACK

DOCUMENT STATUS	P1	RELEASE DATE	2022/04/22	06:35:48
-----------------	----	--------------	------------	----------

NOTES:
 CURRENT RATING: 4-5 CONTACTS 4A
 VOLTAGE RATING: 4 CONTACTS 250V
 5 CONTACTS 60V
 PROTECTION CLASS: IP 67/68/69K
 TEMPERATURE: -25°C / +85°C

PART LIST

MOLEX P/N	ENG No.	L+Tol.[mm]
1200808006	8W4031P03M050	5000+165
1200808007	8W5031E03M020	2000+56
1200808008	8W5031E03M050	5000+165
1200808010	8W4031P03M020	2000+56
1200808013	8W4031P03M030	3000+89
1200808014	8W4031P03M040	4000+165
1200808022	8W4031P03M006	600+45
1200808152	8W4031P03M010	1000+56

FUNCTIONAL SYMBOLS	THIS DRAWING CONTAINS INFORMATION THAT IS PROPRIETARY TO MOLEX ELECTRONIC TECHNOLOGIES, LLC AND SHOULD NOT BE USED WITHOUT WRITTEN PERMISSION	CURRENT REV DESC:																											
	<table border="1"> <tr> <th>FUNCTIONAL SYMBOLS</th> <th>DIMENSION UNITS</th> <th>SCALE</th> </tr> <tr> <td>$\nabla A = 0$</td> <td>mm</td> <td>2:1</td> </tr> <tr> <td>$\nabla E = 0$</td> <td colspan="2">GENERAL TOLERANCES (UNLESS SPECIFIED)</td> </tr> <tr> <td>$\nabla F = 0$</td> <td colspan="2">ANGULAR TOL ± 1.0°</td> </tr> <tr> <td>4 PLACES</td> <td>±</td> <td></td> </tr> <tr> <td>3 PLACES</td> <td>±</td> <td></td> </tr> <tr> <td>2 PLACES</td> <td>± 0.05</td> <td></td> </tr> <tr> <td>1 PLACE</td> <td>± 0.3</td> <td></td> </tr> <tr> <td>0 PLACES</td> <td>± 0.5</td> <td></td> </tr> </table>	FUNCTIONAL SYMBOLS	DIMENSION UNITS		SCALE	$\nabla A = 0$	mm	2:1	$\nabla E = 0$	GENERAL TOLERANCES (UNLESS SPECIFIED)		$\nabla F = 0$	ANGULAR TOL ± 1.0°		4 PLACES	±		3 PLACES	±		2 PLACES	± 0.05		1 PLACE	± 0.3		0 PLACES	± 0.5	
FUNCTIONAL SYMBOLS	DIMENSION UNITS	SCALE																											
$\nabla A = 0$	mm	2:1																											
$\nabla E = 0$	GENERAL TOLERANCES (UNLESS SPECIFIED)																												
$\nabla F = 0$	ANGULAR TOL ± 1.0°																												
4 PLACES	±																												
3 PLACES	±																												
2 PLACES	± 0.05																												
1 PLACE	± 0.3																												
0 PLACES	± 0.5																												
DIVISIONAL SYMBOLS	DRWN: SSM	2022/04/22	CHK'D: RSILLER	2022/04/22																									
	APPR: RSILLER	2022/04/22	INITIAL REVISION:																										
	DRWN: SSM	2022/03/22	DRWN: SSM	2022/04/22																									
	APPR: RSILLER	2022/04/22	APPR: RSILLER	2022/04/22																									
DRAFT WHERE APPLICABLE MUST REMAIN WITHIN DIMENSIONS	THIRD ANGLE PROJECTION	DRAWING	SERIES	MATERIAL NUMBER																									
		A3-SIZE	120080	SEE PART LIST																									
		CUSTOMER	GENERAL MARKET																										
		DOCUMENT NUMBER	1200808007	DOC TYPE																									
		DOC PART	000	REVISION																									
			A																										
		SHEET NUMBER	1 OF 1																										