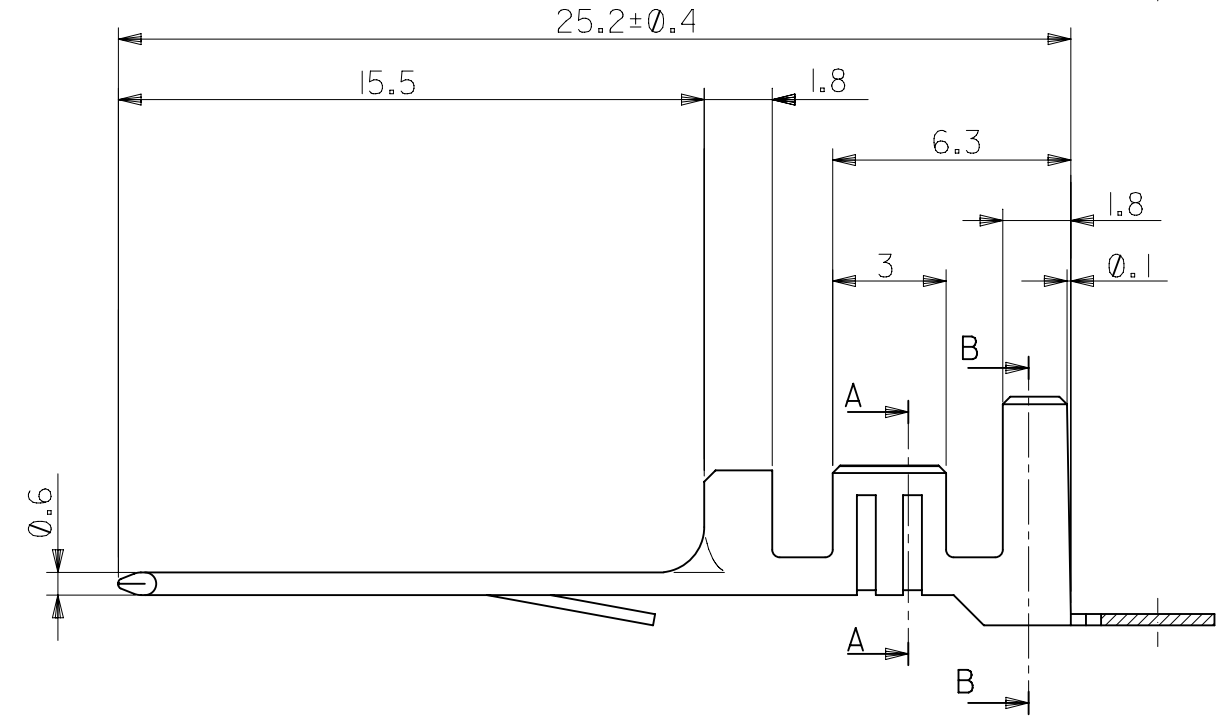
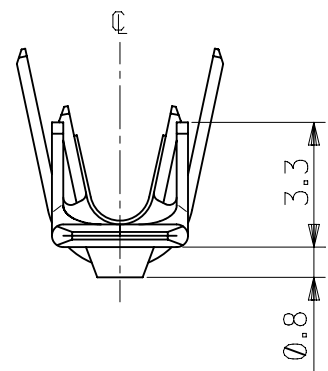


- 注) NOTES:
1. 材質 MATERIAL
黄銅 (板厚: 0.3)
BRASS (THICKNESS: 0.3)
 2. メッキ仕様 TERMINAL PLATING
接点部: 金メッキ 0.1μm MIN.
CONTACT AREA: GOLD 0.1 MICROMETER MINIMUM.
: パラジウムニッケルメッキ 0.6μm MIN.
: PD-NI 0.6 MICROMETER MINIMUM.
圧着部: 錫メッキ 1.0 μm MIN.
CRIMP AREA: TIN 1.0 MICROMETER MINIMUM.
下地メッキ: ニッケルメッキ 1.5μm MIN.
UNDER PLATE: NICKEL 1.5 MICROMETER MINIMUM.
 3. 適用電線範囲: UL 1015, UL 1865, AWG #16~14
APPLICABLE WIRE RANGE: UL 1015, UL 1865, AWG #16~14
 4. 被覆外径: φ3.8 MAX.
INSULATION EXTERNAL DIA: φ3.8 MAX.
 5. 50638-9028 は 50638-9049 の鉛フリー品である。
50638-9128 は 50638-9149 の鉛フリー品である。
50638-9028 IS LEAD FREE OF 50638-9049.
50638-9128 IS LEAD FREE OF 50638-9149.



連鎖状 CHAIN	50638-9028
端子形状 TERMINAL CONFIGURATION	MATERIAL NO.

MATERIAL 材料	—	GENERAL TOLERANCES: (UNLESS SPECIFIED) 一般公差	10 UNDER 未満 ±0.2
FINISH 仕上げ	—	10 OVER 以上 30 UNDER 未満 ±0.25	30 OVER 以上 ±0.3
WIRE RANGE 適用電線範囲	—	ANGLE 角度	±3°
INS. RANGE 被覆外径	—		

THIS DRAWING CONTAINS INFORMATION THAT IS PROPRIETARY TO MOLEX ELECTRONIC TECHNOLOGIES, LLC AND SHOULD NOT BE USED WITHOUT WRITTEN PERMISSION	
DIMENSION UNITS: mm	SCALE: 5:1
CURRENT REV DESC: OBSOLETE PART NUMBER AS PER PCN 508518	
GENERAL TOLERANCES (UNLESS SPECIFIED)	EC NO: 671087
4 PLACES ±	DRWN: RPRABHUM 2021/06/01
3 PLACES ±	CHK'D: GGA 2021/08/06
2 PLACES ±	APPR: GGA 2021/08/06
1 PLACE ±	INITIAL REVISION:
0 PLACES ±	DRWN: M.NAGATA 2004/05/10
ANGULAR TOL ± °	APPR: M.SASAO 2004/05/10
DRAFT WHERE APPLICABLE MUST REMAIN WITHIN DIMENSIONS	THIRD ANGLE PROJECTION
	DRAWING SERIES: B-SIZE 50638

molex			
2MM PITCH AC/DC CONN. PLUG CRIMP TERM. (MI II DRAWER CONNECTOR) -LEAD FREE-			
PRODUCT CUSTOMER DRAWING			
DOCUMENT NUMBER	DOC TYPE	DOC PART	REVISION
SD-50638-001	PSD	001	A
MATERIAL NUMBER	CUSTOMER	SHEET NUMBER	
SEE CHART	GENERAL MARKET	1 OF 1	