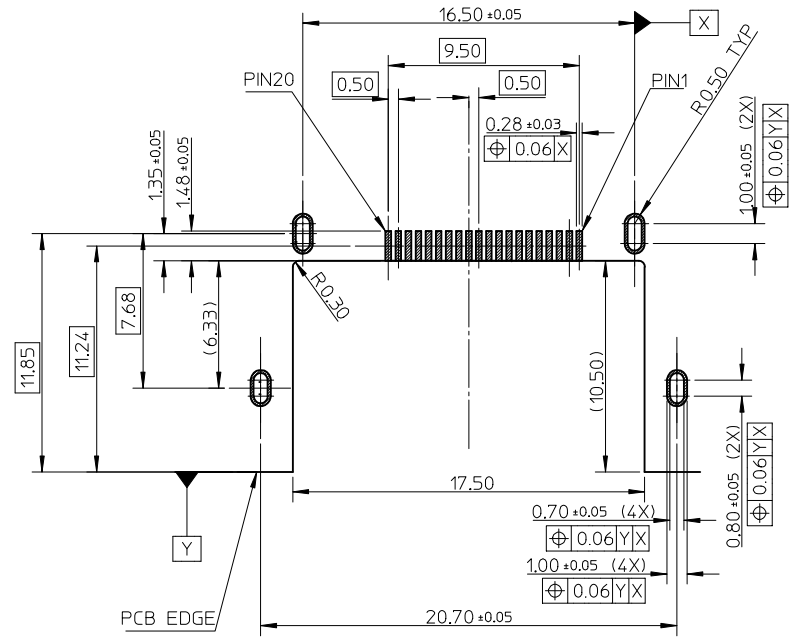
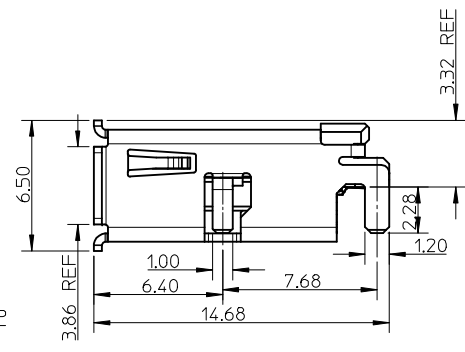
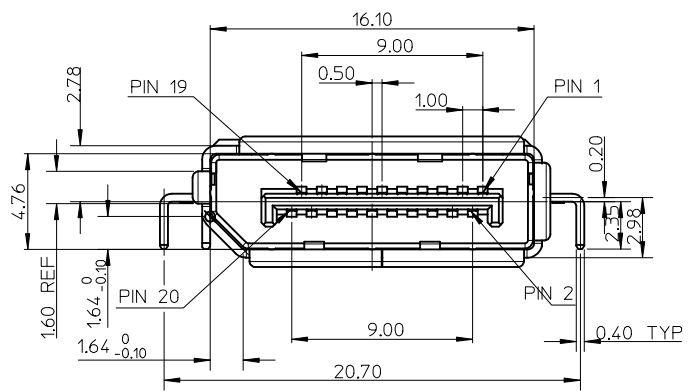
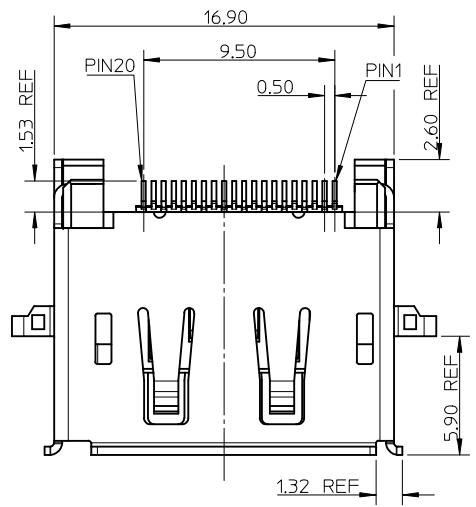
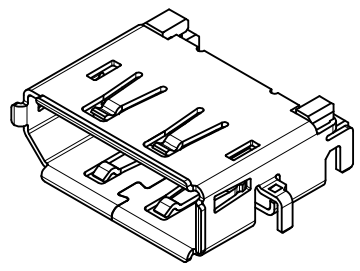


NOTES:

1. MATERIAL:
  - HOUSING: HIGH TEMPERATURE THERMAL PLASTIC, BLACK, 30% GLASS FILLED, UL94V-0.
  - TERMINAL: COPPER ALLOY.
  - SHELL: COPPER ALLOY.
2. PLATING:
  - TERMINAL: CONTACT AREA 0.76 MICROMETER GOLD PLATING AND SOLDER TAIL 1-3 MICROMETER
  - MATT TIN UNDER PLATE 1 MICROMETER MIN, NICKEL PLATING OVERALL.
  - SHELL: 1.27~2.54 MICROMETER SOLDERABLE NICKEL PLATING OVERALL.
3. SOLDER TAIL COPLANARITY 0.10 MAX.



RECOMMENDER PCB LAYOUT THICKNESS 1.56±0.05  
TOP VIEW



REVISED	EC NO: SH2015-0046	2014/07/29	QUALITY SYMBOLS	GENERAL TOLERANCES (UNLESS SPECIFIED)		DIMENSION STYLE		SCALE	DESIGN UNITS	THIRD ANGLE PROJECTION
	DR: WNRZHANG	2014/07/29		mm	INCH	MM ONLY	1:1	METRIC		
	CHK: RZHANG	2014/07/29		4 PLACES ± --- ± ---	DRAWN BY	DATE	TITLE			
	APPR: AYIN	2014/08/13		3 PLACES ± --- ± ---	HHE	2007/08/14	1.0MM MIDDLE PLANE DISPLAY PORT HEADER ASSEMBLY			
			▽ <sub>A</sub> =0	2 PLACES ± 0.25 ± ---	CHECKED BY	DATE	MOLEX INCORPORATED			
			▽ <sub>B</sub> =0	1 PLACE ± 0.25 ± ---	APPROVED BY	DATE	DOCUMENT NO.		SHEET NO.	
			▽ <sub>C</sub> =0	ANGULAR ± 3 °	HWWANG	2007/08/14	476230001		SD-47623-001	1 OF 1
				DRAFT WHERE APPLICABLE MUST REMAIN WITHIN DIMENSIONS	MATERIAL NO.		76230001			
					SIZE	THIS DRAWING CONTAINS INFORMATION THAT IS PROPRIETARY TO MOLEX INCORPORATED AND SHOULD NOT BE USED WITHOUT WRITTEN PERMISSION				