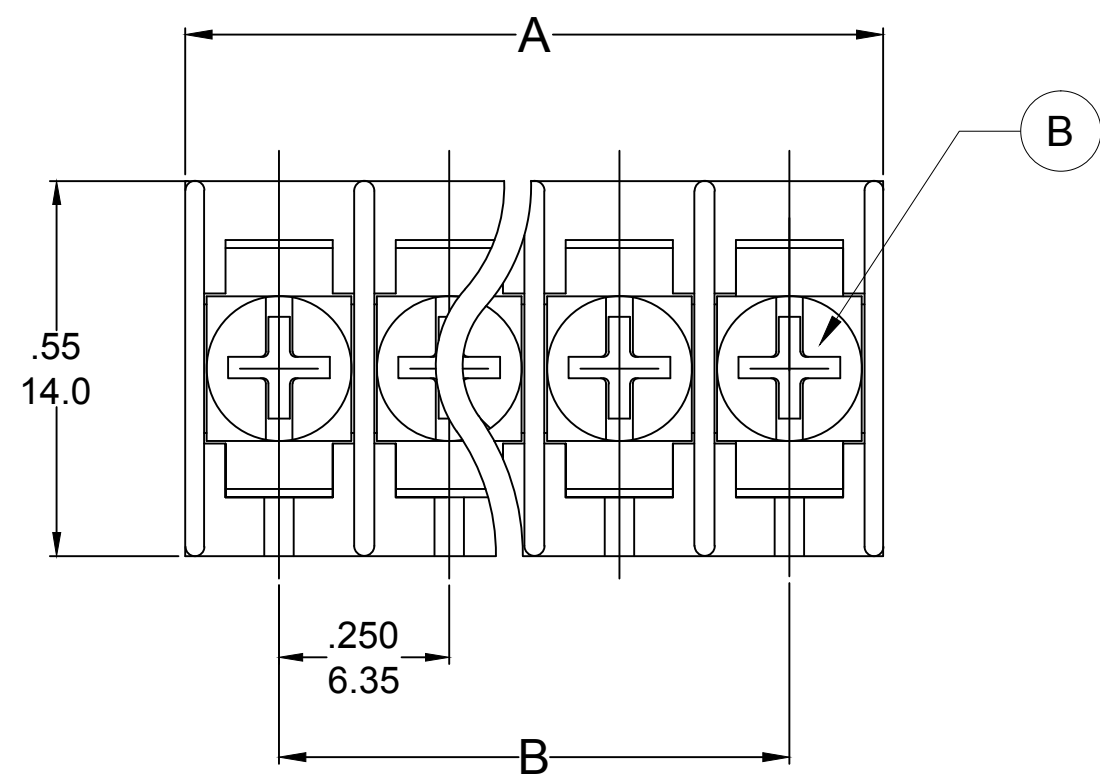
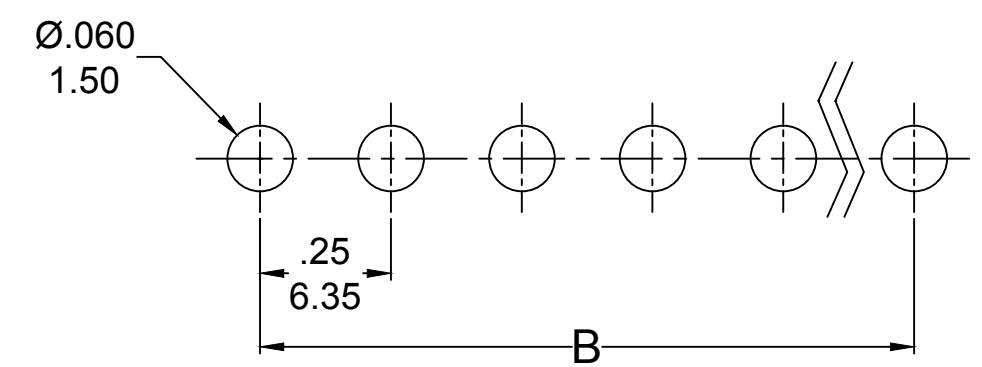


PART NUMBER DATA						
CIRCUITS	PART NUMBER	ENGINEERING NUMBER	A IN	mm	B IN	mm
2		MXBTB450-00-02-1	.53	13.4	.250	6.35
3		MXBTB450-00-03-1	.78	19.7	.500	12.70
4		MXBTB450-00-04-1	1.03	26.1	.750	19.05
5		MXBTB450-00-05-1	1.28	32.4	1.000	25.40
6		MXBTB450-00-06-1	1.53	38.8	1.250	31.75
7		MXBTB450-00-07-1	1.78	45.1	1.500	38.10
8		MXBTB450-00-08-1	2.03	51.5	1.750	44.45
9	389001009	MXBTB450-00-09-1	2.28	57.8	2.000	50.80
10		MXBTB450-00-10-1	2.53	64.2	2.250	57.15
11		MXBTB450-00-11-1	2.78	70.5	2.500	63.50
12		MXBTB450-00-12-1	3.03	76.9	2.750	69.85
13		MXBTB450-00-13-1	3.28	83.2	3.000	76.20
14		MXBTB450-00-14-1	3.53	89.6	3.250	82.55
15		MXBTB450-00-15-1	3.78	95.9	3.500	88.90
16		MXBTB450-00-16-1	4.03	102.3	3.750	95.25

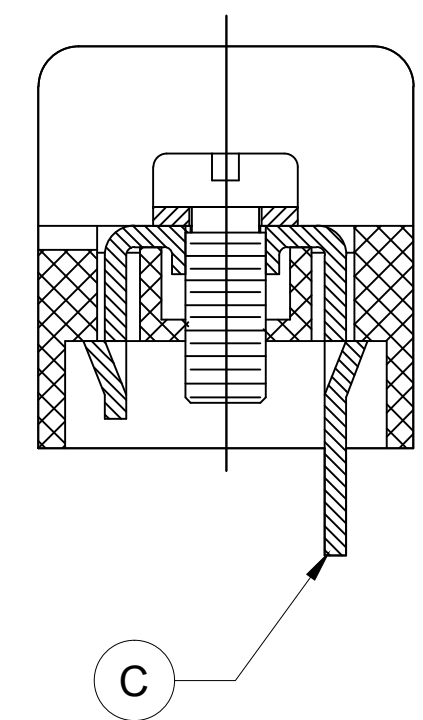
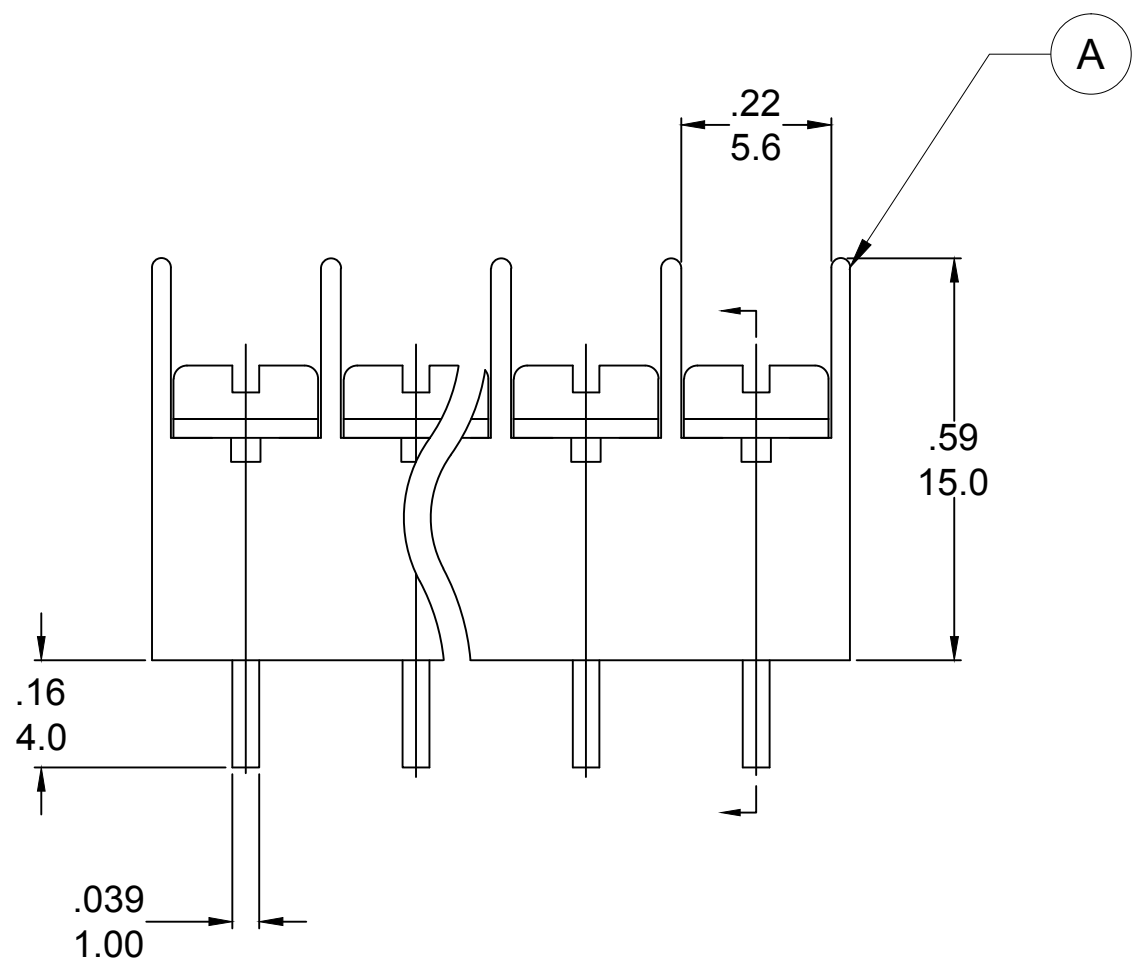
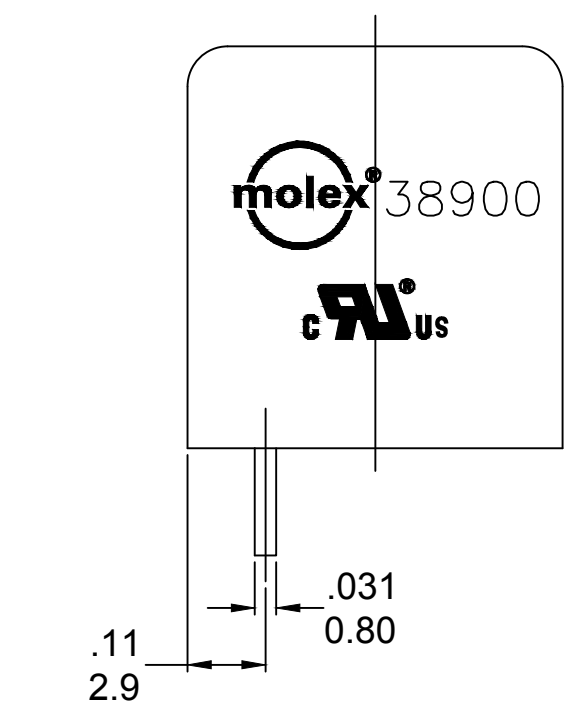
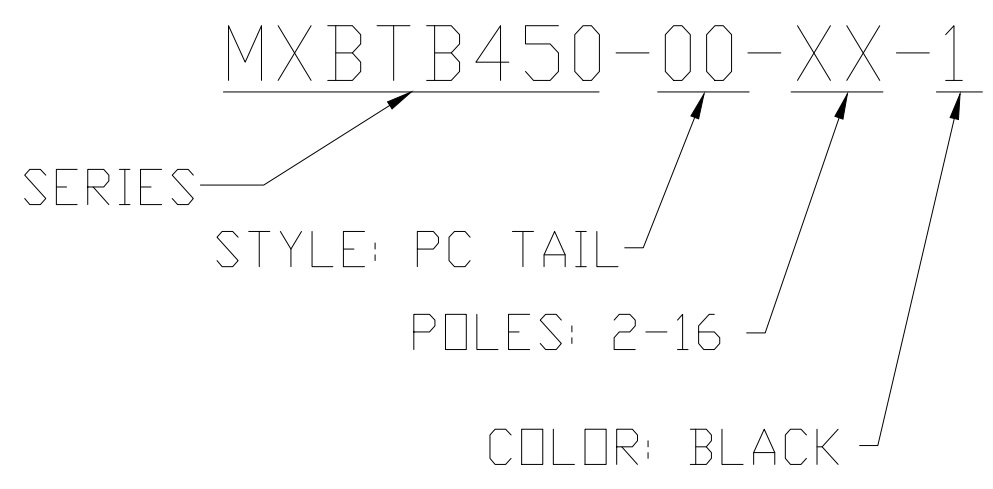


REF. LAST 2 DIGITS OF PART NO. EQUAL CIRCUIT LENGTH

REF. PTH PATTERN



ENGINEERING NUMBER LEGEND



SPECIFICATIONS

- Material:
 - A. Body : PA66, UL94 V-0, Color: Black
 - B. Screw: Steel, M3, Zinc plated, Phil-Slot
 - C. Terminal: Brass, tin plated.
- Wire Size: 22-18AWG
- Wire strip: .28 in. (7mm)
- Rating: 300V ,10A
- Maximum Torque: 4.5 lbf.in.
- Dielectric withstand: AC2500V for 1 minute
- Breakdown voltage: 4000V(1.2/50us),5 times
- Insulation resistance: DC500V,500MΩ
- Operating Temperature: -40° C to +105° C
- Dims shown are for reference only

RELEASED EC NO: IPG2016-1511 DRWN: RSTONE 2016/05/17 CH'KD: MZIELINS APPR: BRUPERT 2016/07/15	DESCRIPTION REV	QUALITY SYMBOL	GENERAL TOLERANCES (UNLESS SPECIFIED) mm INCH 4 PLACES ±--- ±--- 3 PLACES ±--- ±--- 2 PLACES ±--- ±--- 1 PLACE ±--- ±--- ANGULAR ±---° DRAFT WHERE APPLICABLE MUST REMAIN WITHIN DIMENSIONS	DIMENSION STYLE	SCALE	DESIGN UNITS	THIRD ANGLE PROJECTION SINGLE ROW BTS 6.35MM (.25 IN) PC STYLE TERMINALS MOLEX INCORPORATED SD-38900-004 SHEET NO. 1 OF 1
		IN/MM		---	METRIC		
		DRAWN BY DATE		TITLE			
		RSTONE 2016/05/17 CHECKED BY DATE MZIELINS APPROVED BY DATE BRUPERT 2016/07/15					
				MATERIAL NO. SEE CHART	DOCUMENT NO. SD-38900-004		
				SIZE C	THIS DRAWING CONTAINS INFORMATION THAT IS PROPRIETARY TO MOLEX INCORPORATED AND SHOULD NOT BE USED WITHOUT WRITTEN PERMISSION		