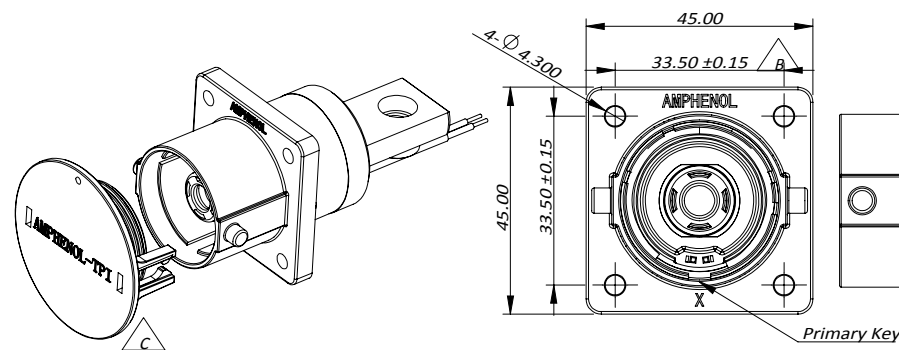


THIS DRAWING IS SUPPLIED FOR INFORMATION ONLY. DESIGN FEATURES, SPECIFICATIONS AND PERFORMANCE DATA SHOWN HEREON ARE THE PROPERTY OF THE AMPHENOL CORPORATION. NO RIGHTS OF REPRODUCTION ARE IMPLIED. ALL DIMENSIONS ARE SUBJECT TO NORMAL MANUFACTURING VARIATIONS.

# CUSTOMER DRAWING

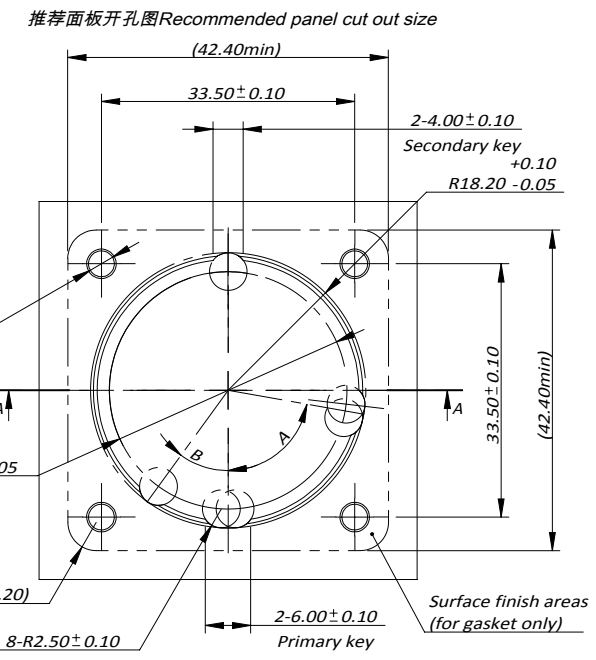
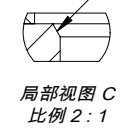
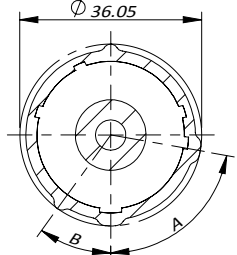
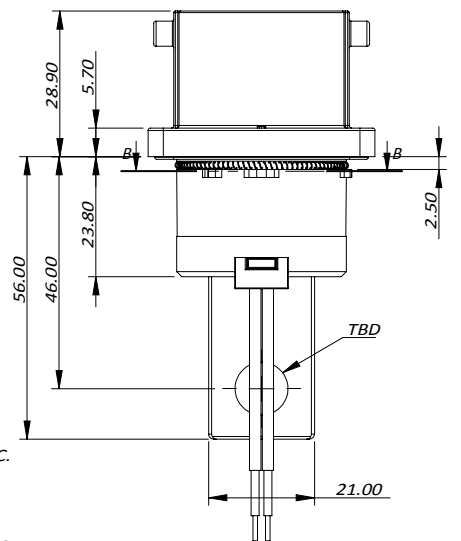
REVISIONS					
REV#	ECN#	REVISION ACTION	REV.BY:	APPR.BY:	DATE
A	--	INITIAL RELEASE	Jack	James	03/12/2020
B	--	增加规格参数	Star	James	10/29/2020
C	--	Add dust cap, oring and M6 PM8 specifications	Star	James	12/30/2020



键位 Key	A	B
X	80°	36°
Y	50°	86°
U	36°	76°
V	100°	56°
W	130°	60°
T	144°	96°

### 规格参数 (Spec.):

- 工作温度 Operating temperature: -40°C ~ +125°C.
- 带高压互锁 Electrical interlock (HVIL).
- 额定电流 Current rating:  
Power: 500A; HVIL: 5A.
- 额定电压 Operating voltage:  
Power: 1000 VDC; Signal: 60 VDC.
- 耐电压 Dielectric withstanding voltage:
  - 与插头对插后, Pin与铁壳之间  
When mated, between pin and metal shell: 5000 VDC.
  - 与插头对插后, Pin与HVIL之间  
When mated, between pin and HVIL: 5000 VDC.
  - 与插头对插后, HVIL与铁壳之间  
When mated, between HVIL and metal shell: 500 VDC.
  - 与插头对插前, 两个HVIL端子之间耐压  
Before mating, between two HVIL terminals: 500 VDC.
- 防护等级 Protection class: Mated-IP6k9k & IP67, unmated-IP2X.
- 电磁屏蔽 360° Full Shielding.
- 机械寿命 Mating cycle: 100 Min.
- 绝缘材料满足 UL94V-0 Inner insulation material satisfy UL94V-0.
- 推荐法兰盘螺丝安装扭矩 Recommended Screw Assembly Torque on Flange: 1.6~2.4Nm
- 推荐铜排安装扭矩 Recommended Fasten Torque on Lug:  
M6: 3.6~4.4Nm, M8: 7.2~8.8Nm, M10: 17.1~20.9Nm
- 镀灰锌/镍合金, 符合RoHS, 满足500H中性盐雾实验  
Gray Zinc/Nickel(ZnNi)Plating. RoHS compliant, Rated at 500hours salt spray.



### 订购信息 Ordering Information

**PL 00 X - 50X - 10X X - 2**

Key and Color	HVIL	Hole Type	Hole Size
"X", Orange	"0", NO HVIL	"D", Through Hole	
"Y", Black	"1", With HVIL	"M"=thread hole	
"U", Yellow		"H"=slot hole	
"V", Green		"PM"=Punch Nut	
"W", Red			
"T", Blue			



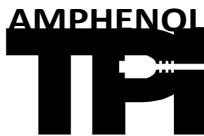
### Amphenol Technical Products International Asia.

第三角投影 THIRD ANGLE PROJECTION	页面 SHEET	幅面 SIZE	版次 REV.	比例 SCALE	PART NAME:
	1 OF 2	A4	C		<b>PwrLok 14mm G2 Rcpt Lug</b>
签名 SIGNATURE	日期 DATE	UNLESS OTHERWISE SPECIFIED			DWG NO:
制图 DRAWN	Star	12/30/2020	1) All dimensions are in metric (mm).		
审核 CHECKED			2) Tolerances are as follows:		
批准 APPROVAL			1.PL DEC ± 1.00		
			2.PL DEC ± 0.50		
			3.PL DEC ± 0.20		
			Angles ±1°		
			CUST PART #		CUST REV.

THIS DRAWING IS SUPPLIED FOR INFORMATION ONLY. DESIGN FEATURES, SPECIFICATIONS AND PERFORMANCE DATA SHOWN HEREON ARE THE PROPERTY OF THE AMPHENOL CORPORATION. NO RIGHTS OF REPRODUCTION ARE IMPLIED. ALL DIMENSIONS ARE SUBJECT TO NORMAL MANUFACTURING VARIATIONS.

1	2	3	4	5	6	7	8			
	Model No. 型号	AC P/N 料号	Model No. 型号	AC P/N 料号	REVISIONS					
	PL00X-500-10M8-2	AC-HA011160	PL00X-500-10M6-2	AC-HA017583	REV#	ECN#	REVISION ACTION	REV.BY:	APPR.BY:	DATE
	PL00Y-500-10M8-2	AC-HA011161	PL00Y-500-10M6-2	AC-HA017584	A	--	INITIAL RELEASE	Jack	James	03/12/2020
	PL00U-500-10M8-2	AC-HA011162	PL00U-500-10M6-2	AC-HA017585	B	--	增加规格参数	Star	James	10/29/2020
	PL00V-500-10M8-2	AC-HA011163	PL00V-500-10M6-2	AC-HA017586	C	--	Add dust cap, oring and M6 PM8 specifications	Star	James	12/30/2020
	PL00W-500-10M8-2	AC-HA011164	PL00W-500-10M6-2	AC-HA017587						
A	PL00X-500-10M10-2	AC-HA011165	PL00T-500-10M6-2	AC-HA017588						
	PL00Y-500-10M10-2	AC-HA011166	PL00X-501-10M6-2	AC-HA017589						
	PL00U-500-10M10-2	AC-HA011167	PL00Y-501-10M6-2	AC-HA017590						
	PL00V-500-10M10-2	AC-HA011168	PL00U-501-10M6-2	AC-HA017591						
	PL00W-500-10M10-2	AC-HA011169	PL00V-501-10M6-2	AC-HA017592						
	PL00X-500-10D8-2	AC-HA011170	PL00W-501-10M6-2	AC-HA017593						
	PL00Y-500-10D8-2	AC-HA011171	PL00T-501-10M6-2	AC-HA017594						
	PL00U-500-10D8-2	AC-HA011172	PL00X-500-10PM8-2	AC-HA016486						
	PL00V-500-10D8-2	AC-HA011173	PL00Y-500-10PM8-2	AC-HA016487						
	PL00W-500-10D8-2	AC-HA011174	PL00U-500-10PM8-2	AC-HA016488						
	PL00X-500-10D10-2	AC-HA011175	PL00V-500-10PM8-2	AC-HA016489						
	PL00Y-500-10D10-2	AC-HA011176	PL00W-500-10PM8-2	AC-HA016490						
B	PL00U-500-10D10-2	AC-HA011177	PL00T-500-10PM8-2	AC-HA016491						
	PL00V-500-10D10-2	AC-HA011178	PL00X-501-10PM8-2	AC-HA016492						
	PL00W-500-10D10-2	AC-HA011179	PL00Y-501-10PM8-2	AC-HA016493						
	PL00X-501-10M8-2	AC-HA011180	PL00U-501-10PM8-2	AC-HA016494						
	PL00Y-501-10M8-2	AC-HA011181	PL00V-501-10PM8-2	AC-HA016495						
	PL00U-501-10M8-2	AC-HA011182	PL00W-501-10PM8-2	AC-HA016496						
	PL00V-501-10M8-2	AC-HA011183	PL00T-501-10PM8-2	AC-HA016497						
	PL00W-501-10M8-2	AC-HA011184								
	PL00X-501-10M10-2	AC-HA011185								
	PL00Y-501-10M10-2	AC-HA011186								
	PL00U-501-10M10-2	AC-HA011187								
	PL00V-501-10M10-2	AC-HA011188								
	PL00W-501-10M10-2	AC-HA011189								
C	PL00X-501-10D8-2	AC-HA011190								
	PL00Y-501-10D8-2	AC-HA011191								
	PL00U-501-10D8-2	AC-HA011192								
	PL00V-501-10D8-2	AC-HA011193								
	PL00W-501-10D8-2	AC-HA011194								
	PL00X-501-10D10-2	AC-HA011195								
	PL00Y-501-10D10-2	AC-HA011196								
	PL00U-501-10D10-2	AC-HA011197								
	PL00V-501-10D10-2	AC-HA011198								
	PL00W-501-10D10-2	AC-HA011199								
	PL00T-500-10D8-2	AC-HA011969								
	PL00T-500-10M8-2	AC-HA011970								
	PL00T-500-10M10-2	AC-HA011971								
	PL00T-500-10D10-2	AC-HA011972								
D	PL00T-501-10D8-2	AC-HA011973								
	PL00T-501-10M8-2	AC-HA011974								
	PL00T-501-10M10-2	AC-HA011975								
	PL00T-501-10D10-2	AC-HA011976								



	<b>Amphenol Technical Products International Asia.</b>						<b>PART NAME:</b> PwrLok 14mm G2 Rcpl Lug
	第三角投影 <b>THIRD ANGLE PROJECTION</b>	页面 <b>SHEET</b>	幅面 <b>SIZE</b>	版次 <b>REV.</b>	比例 <b>SCALE</b>	DWG NO: PL00X-50X-10XX-2	
签名 SIGNATURE	日期 DATE	UNLESS OTHERWISE SPECIFIED 1) All dimensions are in metric(mm). 2) Tolerances are as follows: 1.PL DEC ± 1.00 2.PL DEC ± 0.50 3.PL DEC ± 0.20			DWG NO: PL00X-50X-10XX-2	CUST PART #	CUST REV.
制图 DRAWN Star	12/30/2020	Angles ±1°					
审核 CHECKED							
批准 APPROVAL							