

1

2

3

4

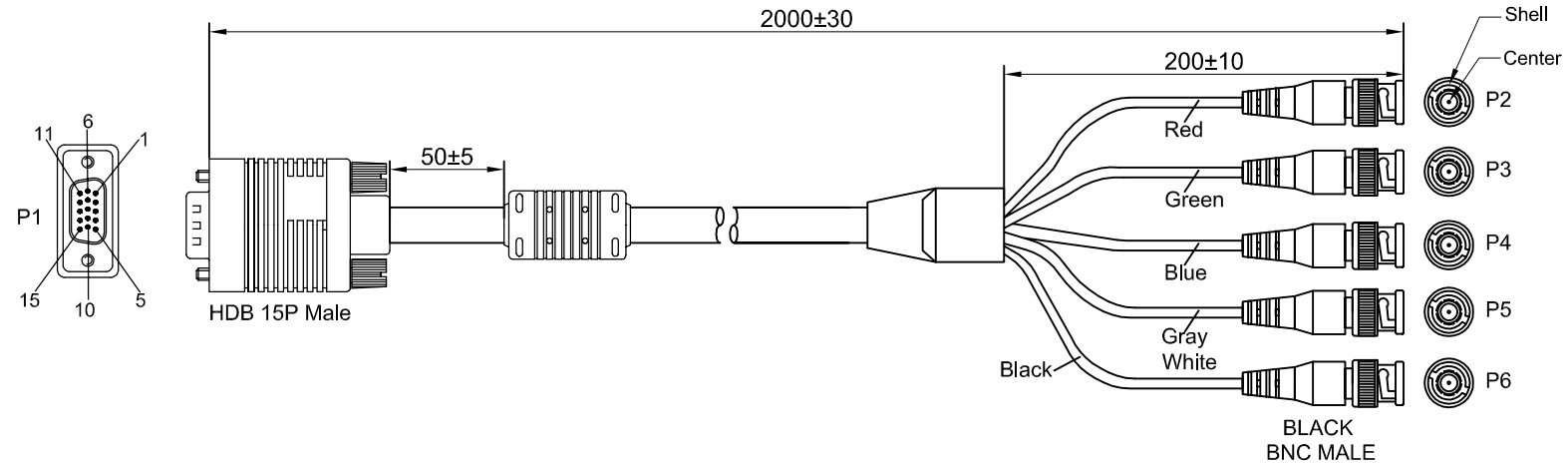
5

6

7

Signature	Revision History	Date	Rev.
-----------	------------------	------	------

REACH&RoHS Compliant

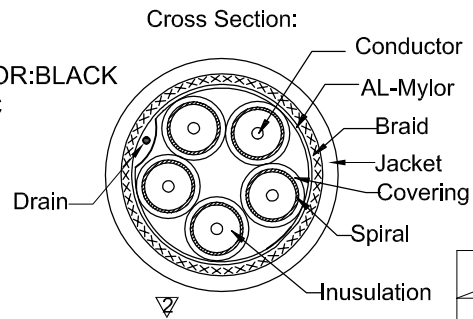


NOTES:

- 1.CABLE:UL2919 [30AWG(7/0.1)Coaxial 5C+D(7/0.1)+AL/MY],D(7/0.12)+AL+F, Black Color OD:7.0mm,PVC Jacket (Pure Copper)L=2M
- 2.CONNECTOR:P1:HDB 15P/M,SOLDER,BLUE INSULATION, GOLDEN FLUSH CONTACT PINS,NICKEL PLATED SHELL
P2,P3,P4,P5,P6:BNCM SOLDER WHITE INSULATION, GOLDEN FLUSH CONTACT PINS,NICKEL PLATED SHELL
- 3.HOOD:MOLDED TYPE, PVC 45P, COLOR:BLACK
- 4.INSIDE MOLDING:TRANSPARENT PE
- 5.HEED:360 SOLDERED COPPER FOIL COVER
- 6.THUMB SCREW:#4-40 UNC,MOLDED TYPE,PVC 45P, COLOR:BLACK
- 7.FERRITE CORE:(Ø17.5*Ø9.5*28.5MM)MOLDED BLACK PVC
- 8.SR:MOLDED TYPE PVC 45P COLOR:BLACK
- 9.ELECTRICLE TEST:
 - 1.100% OPEN SHORT & MIS WIRE TEST.
 - 2.CONTACT RESISTANCE 3 ohm Max.
 - 3.INSULATION RESISTANCE 5M ohm Min
 - 4.HI-POT TEST:DC 300V/10ms

10.CONTACTS:

HDB15PM	1	2	3	13	14	6	7	8	5+10
Red P2BNCM	Center					Shell			
Green P3BNCM		Center					Shell		
Blue P4BNCM			Center					Shell	
Gray P5BNCM				Center					Shell
White P6BNCM					Center				Shell



Name		Part No.	
Yuwenming		AK-310300-020-S	
Zhouwei			
Chenlianwei		EAN:4016032287179	
Title		HDB 15P/M-5*BNC M CABLE	
ASSMANN Electronic GmbH		Scale	N/A
		Unit	MM
		Sheet	1

1

2

3

4

5

6

7