

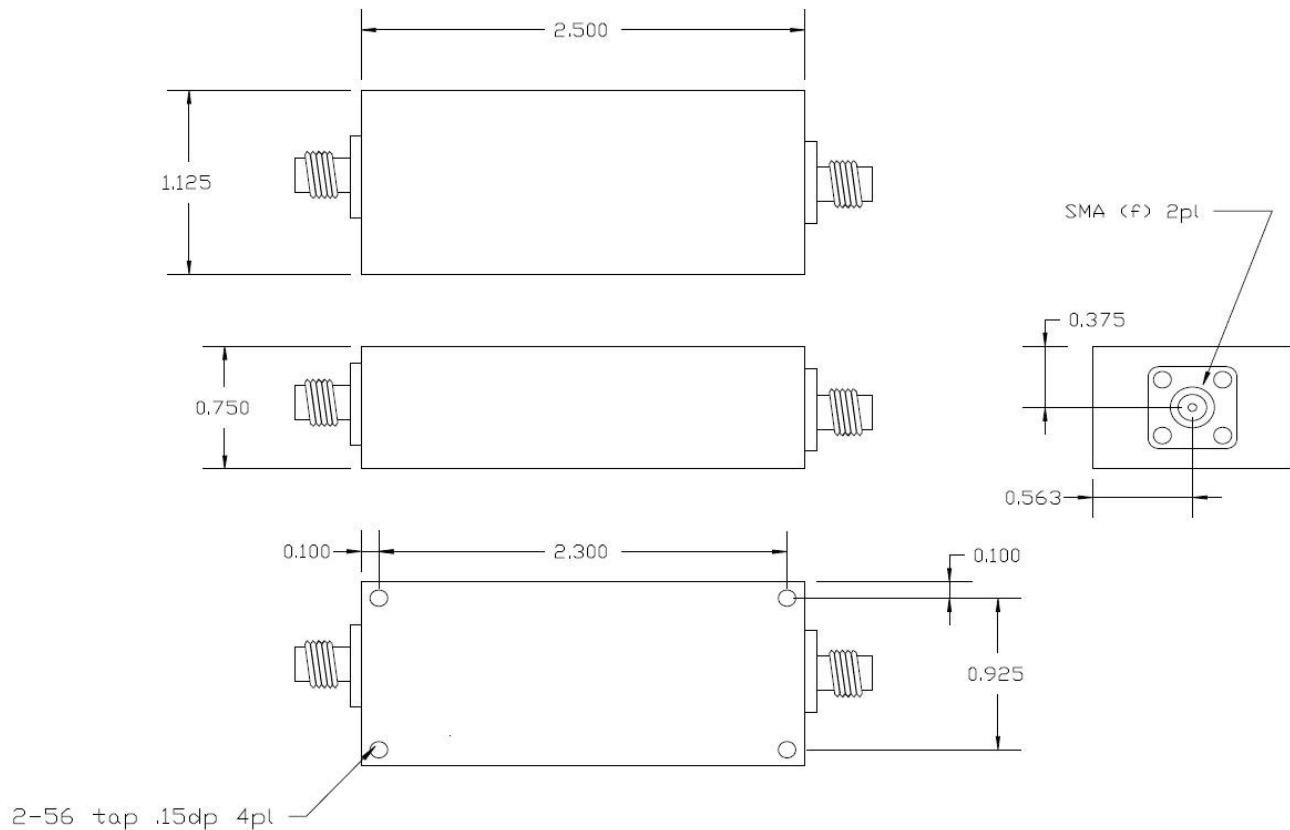


215 MHz LC Highpass Filter

Part Number: AE215H9780

Cut off Frequency (Fc)	215MHz
Passband	215-1000MHz
Insertion loss over Passband	<1dB
Rejection @ 0-100MHz	>60dB
Size	2.5 x 1.125 x 0.75 inches
Connector	SMA, Panel Receptacle, 4 hole

Outline Drawing:





ANATECH ELECTRONICS, INC.

Manufacturer of RF & Microwave Products



215 MHz LC Highpass Filter

Part Number: AE215H9780

Response Plot:

