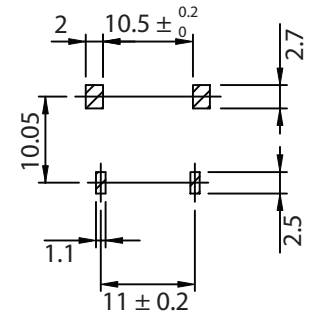
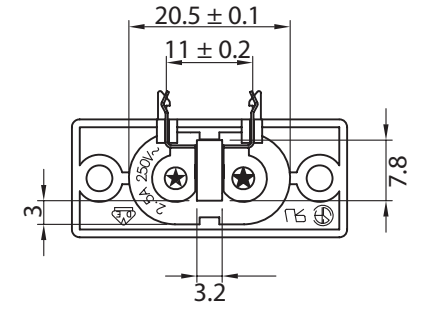
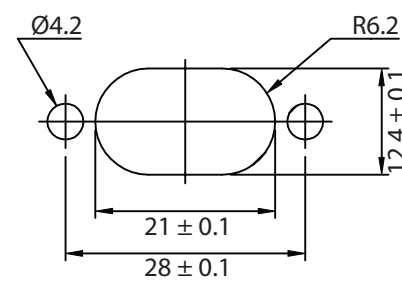
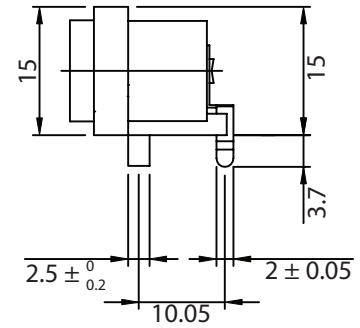
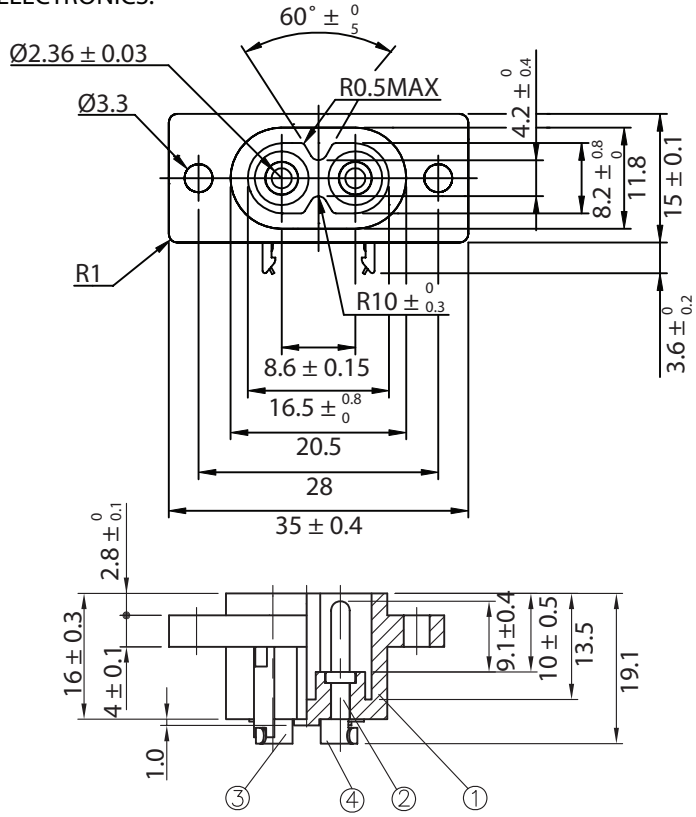


THESE DRAWINGS ARE THE PROPERTY OF QUALTEK ELECTRONICS AND NOT TO BE REPRODUCED FOR OR COMMUNICATED TO A THIRD PARTY WITHOUT THE EXPRESS WRITTEN PERMISSION OF AN OFFICER OF QUALTEK ELECTRONICS.

REVISION			
REV.	DESCRIPTION	DATE	APPROVED
B	RoHS Compliancy	06-01-06	DP
C	Updated Specifications	10-18-07	DP
D	Updated Rear Terminal Insulator Dim and Approvals	09-18-14	LY



PCB LAYOUT

PANEL CUTOUT

CONTROLLED

NOTES:

RATING: 2.5A 250V AC
 APPROVALS: UL, CSA, VDE, C CC
 RoHS COMPLIANT

4	Contact PIN-R Brass Strip t=0.3mm Tin-Plated	1
3	Contact PIN-L Brass Strip t=0.3mm Tin-Plated	1
2	Solid Contact PIN Brass Strip d=Ø2.36mm Ni-Plated	2
1	Body Insulator PC Gray Color	1

Dim range (mm)	Tolerance +/- (mm)	Qualtek Electronics Corp. PPC DIVISION		
		Part Number:	770W-X2/11	RoHS Compliant
0-1	0.15	Description: AC RECEPTACLE		
1-6	0.20			
6-18	0.30		UNIT: mm	REV. D
18-50	0.50	Drawn / Date	Checked / Date	Approved / Date
50-120	0.70	B.Zhang 07-29-03	07-29-03	JJH / 07-29-03
120-250	0.90			
250-500	1.20			