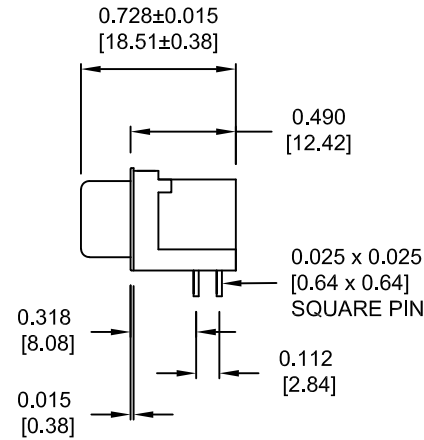
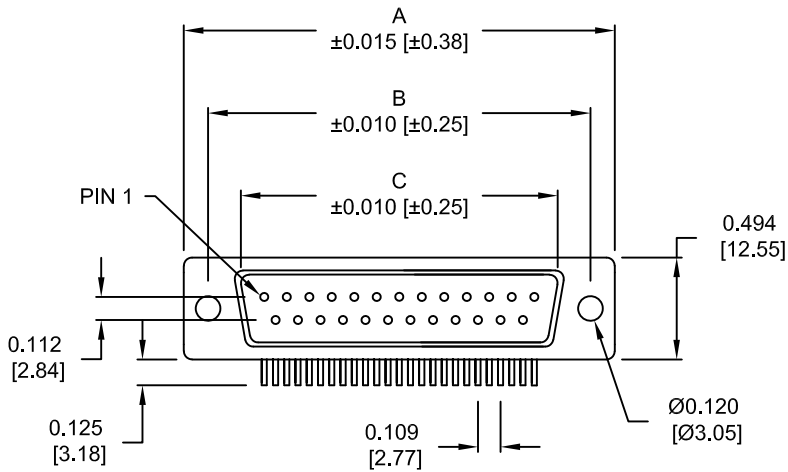
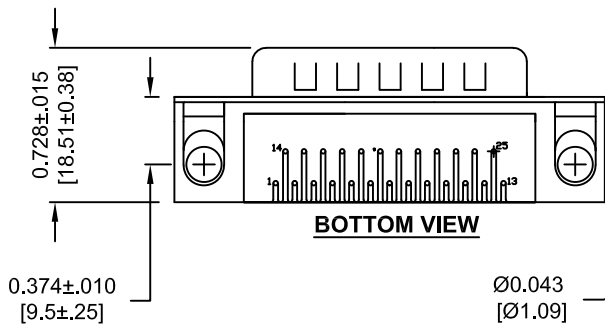


DESCRIPTION: IP66 - R/A - 0.318 - MALE - ECONOMY - D SUB

25-PIN SHOWN

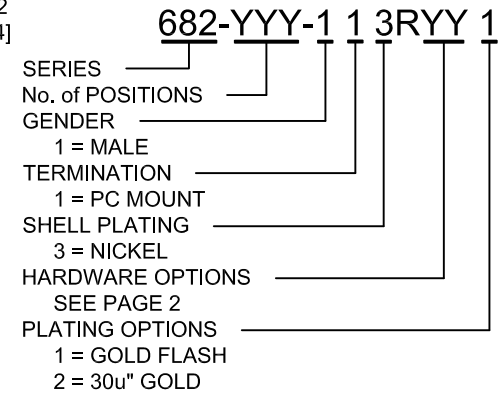


No. OF PINS	DIMENSIONS			
	A	B	C	D
009	1.213	0.984	0.666	0.492
	30.80	24.99	16.92	12.50
015	1.541	1.312	0.994	0.656
	39.14	33.32	25.25	16.66
025	2.088	1.852	1.534	0.926
	53.04	47.04	38.96	23.52



RECOMMENDED PCB LAYOUT

MEETS IP66 STANDARDS
 (SEE PAGE 2 FOR SEALING DETAILS)



MATERIAL:

- SHELL: SPCC, NICKEL PLATED
- INSULATOR: UL 94V-O RATED, BLACK, 260° PA9T
- CONTACT: BRASS, GOLD PLATED
- RIVET: COPPER ALLOY, NICKEL PLATED
- SCREWLOCK: ZINC ALLOY, NICKEL PLATED
- BOARDLOCK: SPCC, TIN PLATED
- SEALING MATERIAL: F08 FLEXIBLE ADHESIVE

ELECTRICAL:

- CURRENT RATING: 5 AMPS
- DIELECTRIC STRENGTH: 1,000VAC rms
- INSULATION RESISTANCE: 1,000 MOHMS Min
- TEMPERATURE: -55°C TO +105°C

GENERAL TOLERANCES
 ± 0.006 [0.15]
 HOLE: ± 0.005 [0.13]

DO NOT SCALE FROM DRAWING



THESE DRAWINGS AND SPECIFICATIONS ARE THE PROPERTY OF NorComp AND SHALL NOT BE REPRODUCED, COPIED OR USED AS THE BASIS FOR THE MANUFACTURE OF SALE OF APPARATUS WITHOUT WRITTEN PERMISSION.

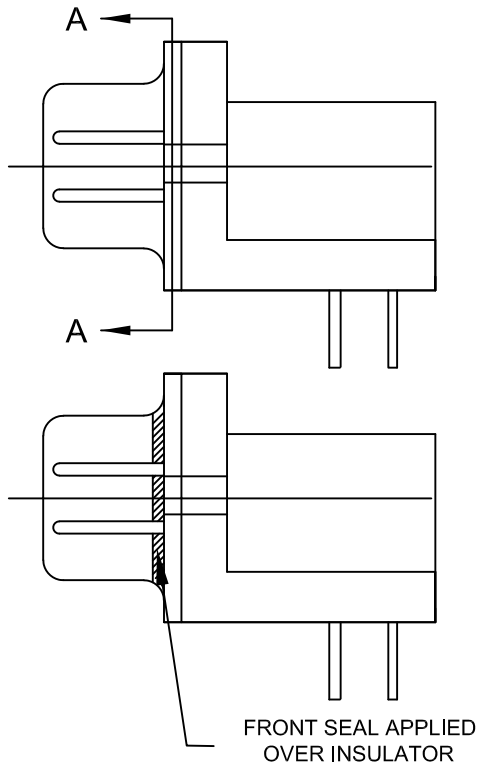
DRAWN: M. SIGMON		DATE: 02-24-12	
CHECKED:		DATE:	
SCALE: 1 : 1	SHEET 1	OF 2	REV 1
DWG NO. 682-YYY-113RYY1			

RoHS COMPLIANT

NorComp

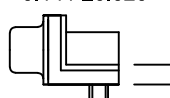
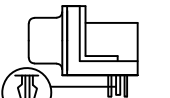
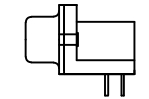
DESCRIPTION: IP66 - RIGHT ANGLE HARDWARE OPTIONS

SEALING PROCESS



DETAIL A-A

HARDWARE OPTIONS

	 <p>0.141 ±0.020</p> <p>METAL SHELL WITH INSIDE GROUND STRAPS</p>	 <p>METAL SHELL FORK BOARD LOCKS</p>
 <p>4-40 FLUSH INSERT</p>	17	53 BOARD LOCKS IN HOLE

DO NOT SCALE FROM DRAWING



THESE DRAWINGS AND SPECIFICATIONS ARE THE PROPERTY OF NorComp AND SHALL NOT BE REPRODUCED, COPIED OR USED AS THE BASIS FOR THE MANUFACTURE OF SALE OF APPARATUS WITHOUT WRITTEN PERMISSION.

DRAWN:
M. SIGMON

DATE:
02-24-12

CHECKED:

DATE:

NorComp

SCALE: 1 : 1	SHEET 2	OF 2	REV 1
-----------------	------------	---------	----------

DWG NO. 682-YYY-113RYY1

RoHS COMPLIANT