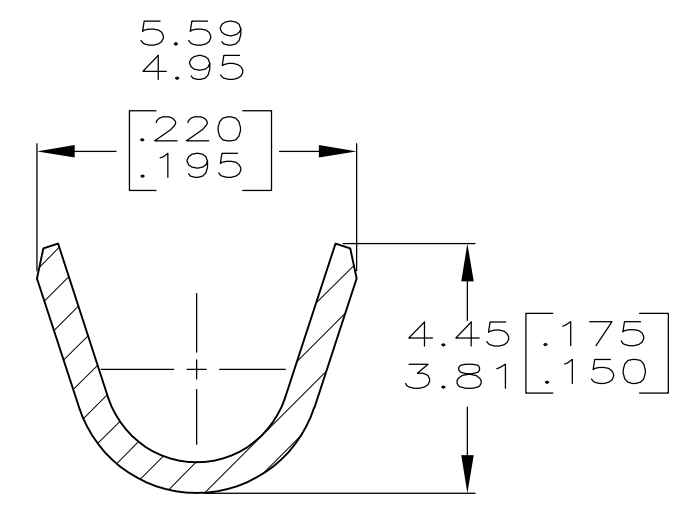
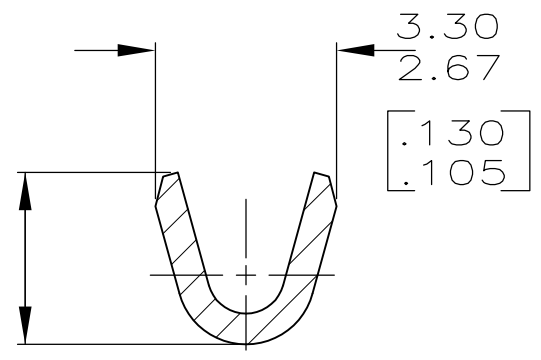
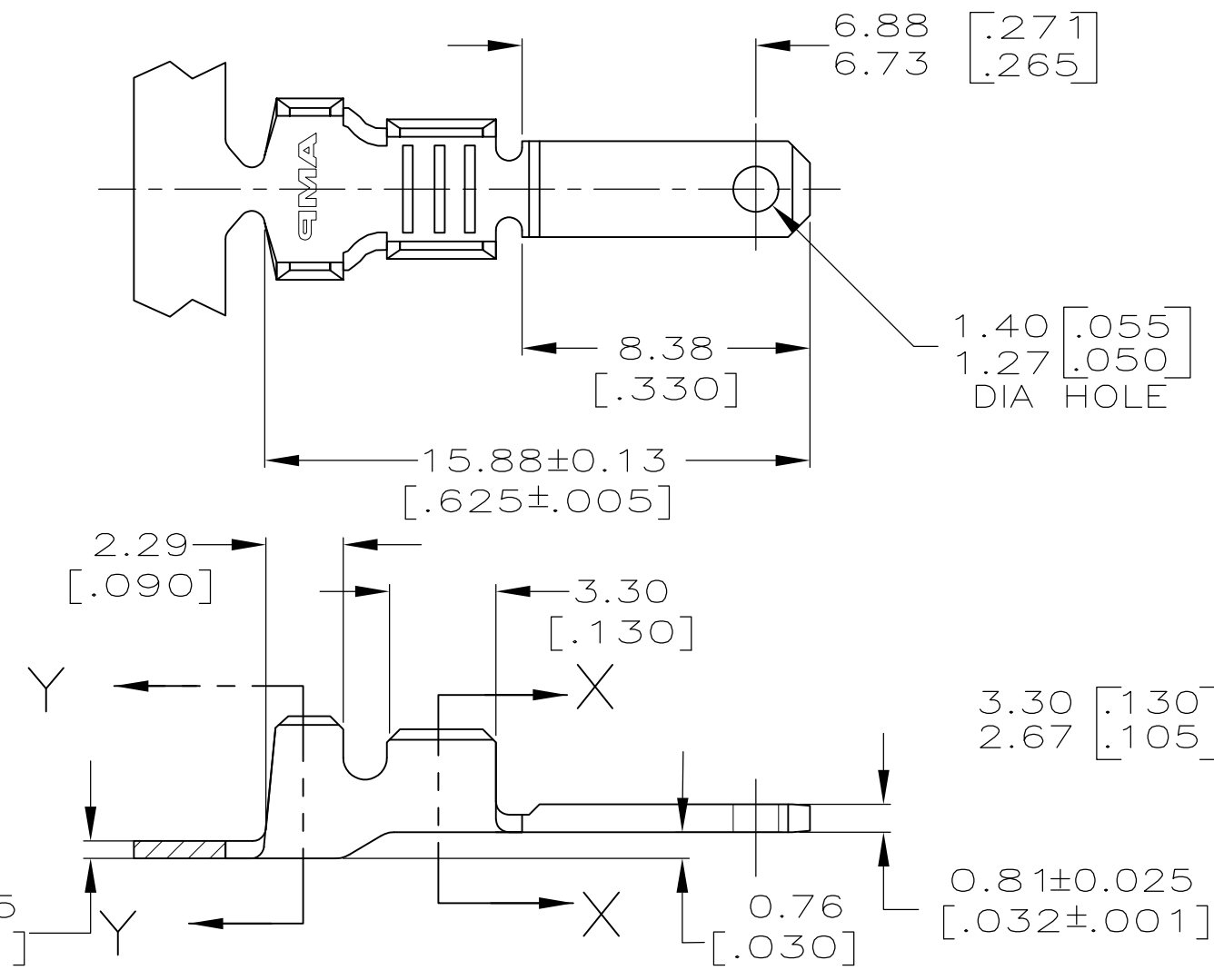


THIS DRAWING IS UNPUBLISHED. RELEASED FOR PUBLICATION  
 © COPYRIGHT - By - ALL RIGHTS RESERVED.

LOC	DIST	REVISIONS			
P	LTR	DESCRIPTION	DATE	DWN	APVD
AF	50				
	K	REVISED PER ECR-13-011489	04DEC2013	KH	PD

- 1 CONTINUOUS STRIP ON REELS.
- 2 WIRE SIZE IS [22-18] AWG.
- 3 INSULATION RANGE IS 1.78-3.30 [.070-.130] DIA.



PLAIN	63138-2
TIN	63138-1
FINISH	PART NO

THIS DRAWING IS A CONTROLLED DOCUMENT.		DWN	JR RUTH	3/21/95	<b>STE</b> TE Connectivity											
DIMENSIONS: mm [INCHES]		CHK	MS FEHER	3/21/95												
TOLERANCES UNLESS OTHERWISE SPECIFIED:		APVD	J HUZVAR	3/21/95												
<table border="0"> <tr><td>0 PLC</td><td>± -</td></tr> <tr><td>1 PLC</td><td>± -</td></tr> <tr><td>2 PLC</td><td>± 0.38 [.015]</td></tr> <tr><td>3 PLC</td><td>± -</td></tr> <tr><td>4 PLC</td><td>± -</td></tr> <tr><td>ANGLES</td><td>± -</td></tr> </table>		0 PLC	± -	1 PLC		± -	2 PLC	± 0.38 [.015]	3 PLC	± -	4 PLC	± -	ANGLES	± -	NAME	
0 PLC	± -															
1 PLC	± -															
2 PLC	± 0.38 [.015]															
3 PLC	± -															
4 PLC	± -															
ANGLES	± -															
MATERIAL	BRASS	FINISH	SEE TABLE	WEIGHT	-											
CUSTOMER DRAWING		SIZE	A3	CAGE CODE	00779											
		DRAWING NO	C-63138		RESTRICTED TO											
		SCALE	5:1	SHEET	1 OF 1											
		REV	K													