

- NOTES:
- MATERIALS:
 RAW CABLE- LOW SMOKE ZERO HALOGEN
 BACKSHELLS - ZINC DIECAST WITH BRIGHT NICKEL PLATING
 RIVETS - STAINLESS STEEL
 - IMPEDANCE - 100 OHMS DIFFERENTIAL
 - RoHS COMPLIANT, NO EXEMPTIONS
 - EEPROM SPEC IS COMPLIANT TO SFF 8636 REV 2.7 AT zQSFP+ END
 AND SFF 8472 REV 12.2 AT zSFP+ END
 - EEPROM MAP AVAILABLE UPON REQUEST

MOLEX P/N	LENGTH [M]	TOL [mm]	AWG
1003451056	0.5	±30	30
1003451106	1.0	±50	30
1003451156	1.5	±50	30
1003451206	2.0	±50	30
1003451256	2.5	±50	30
1003451306	3.0	±50	30
1003453156	1.5	±50	26
1003453306	3.0	±50	26
1003453506	5.0	±80	26

*1.0m CABLES AND BELOW MAY NOT MEET ALL ELECTRICAL PARAMETER OF THE IEEE802.3bj AND IEEE802.3by

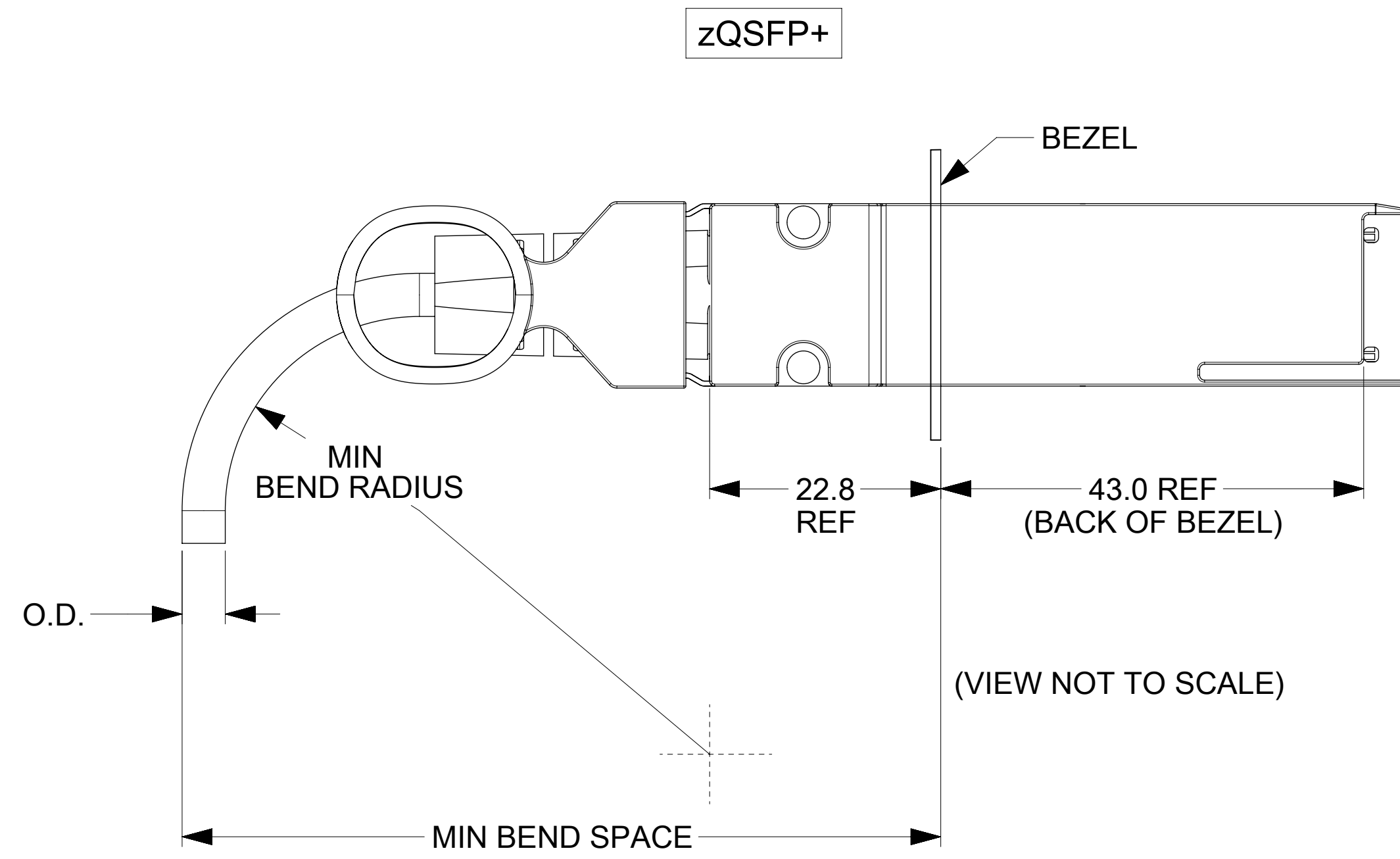
SYMBOLS	THIS DRAWING CONTAINS INFORMATION THAT IS PROPRIETARY TO MOLEX ELECTRONIC TECHNOLOGIES, LLC AND SHOULD NOT BE USED WITHOUT WRITTEN PERMISSION		CURRENT REV DESC: UPDATED LEG LABEL	
	DIMENSION UNITS	SCALE		
▽ = 0	mm			<p>molex</p> <p>ZQSFP+ TO 4ZSFP+ 25G CBL ASSY</p> <p>PRODUCT CUSTOMER DRAWING</p>
▽ = 0	GENERAL TOLERANCES (UNLESS SPECIFIED)		EC NO: 607196	
▽ = 0	ANGULAR TOL ± 1.0°		DRWN: GSARVADE 2018/11/02	
▽ = 0	4 PLACES ±		CHK'D: GSARVADE 2018/11/08	
▽ = 0	3 PLACES ±		APPR: KNAGANNA 2018/11/08	DOCUMENT NUMBER
▽ = 0	2 PLACES ± 0.13		INITIAL REVISION:	DOC TYPE
▽ = 0	1 PLACE ± 0.25		DRWN: MTAMBRALLI 2017/05/05	DOC PART
▽ = 0	0 PLACES ±		APPR: ARAYBURN 2017/06/23	REVISION
⊠ = 0	DRAFT WHERE APPLICABLE MUST REMAIN WITHIN DIMENSIONS		THIRD ANGLE PROJECTION	DRAWING
⊠ = 0			D-SIZE	SHEET NUMBER
			SERIES	
			MATERIAL NUMBER	CUSTOMER
			SEE PN TABLE	GENERAL MARKET
				1 OF 3

WIRING DIAGRAM					
zQSFP+		zSFP+		PLUG	
PAD	SIGNAL	SIGNAL	PAD		
38	GND	----	GND	1	
37	TX1-	--->	RD-		12
36	TX1+	--->	RD+		13
19	GND	----	GND		18
17	RX1+	<---	TD+	19	
18	RX1-	<---	TD-	2	
01	GND	----	GND		12
02	TX2-	--->	RD-		13
03	TX2+	--->	RD+		18
20	GND	----	GND	19	
22	RX2+	<---	TD+	3	
21	RX2-	<---	TD-		12
35	GND	----	GND		13
34	TX3-	--->	RD-		18
33	TX3+	--->	RD+	19	
16	GND	----	GND	4	
14	RX3+	<---	TD+		12
15	RX3-	<---	TD-		13
04	GND	----	GND		18
05	TX4-	--->	RD-	19	
06	TX4+	--->	RD+	5	
23	GND	----	GND		12
25	RX4+	<---	TD+		13
24	RX4-	<---	TD-		18

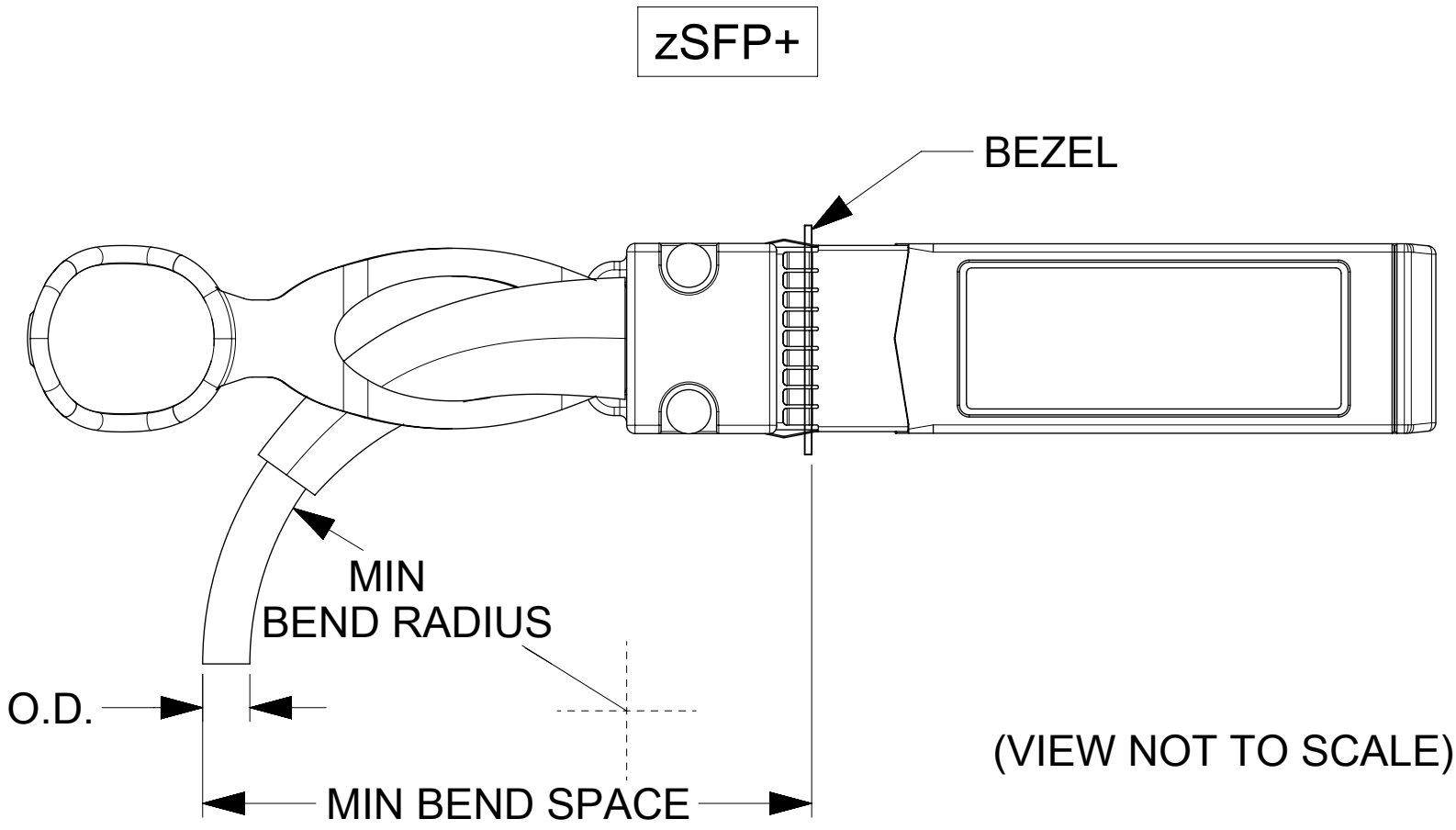
LOW SPEED SIGNALS zQSFP+	
PAD	SIGNAL
08	ModSelL
09	ResetL
10	VccRx
11	SCL
12	SDA
27	ModPrsL
28	IntL
29	VccTx
30	Vcc1
31	LPMODE

LOW SPEED SIGNALS zSFP+	
PAD	SIGNAL
02	Tx_Fault
03	Tx_Disable
04	SDA
05	SCL
06	Mod_ABS
07	RS0
08	Rx_LOS
09	RS1
15	VccR
16	VccT

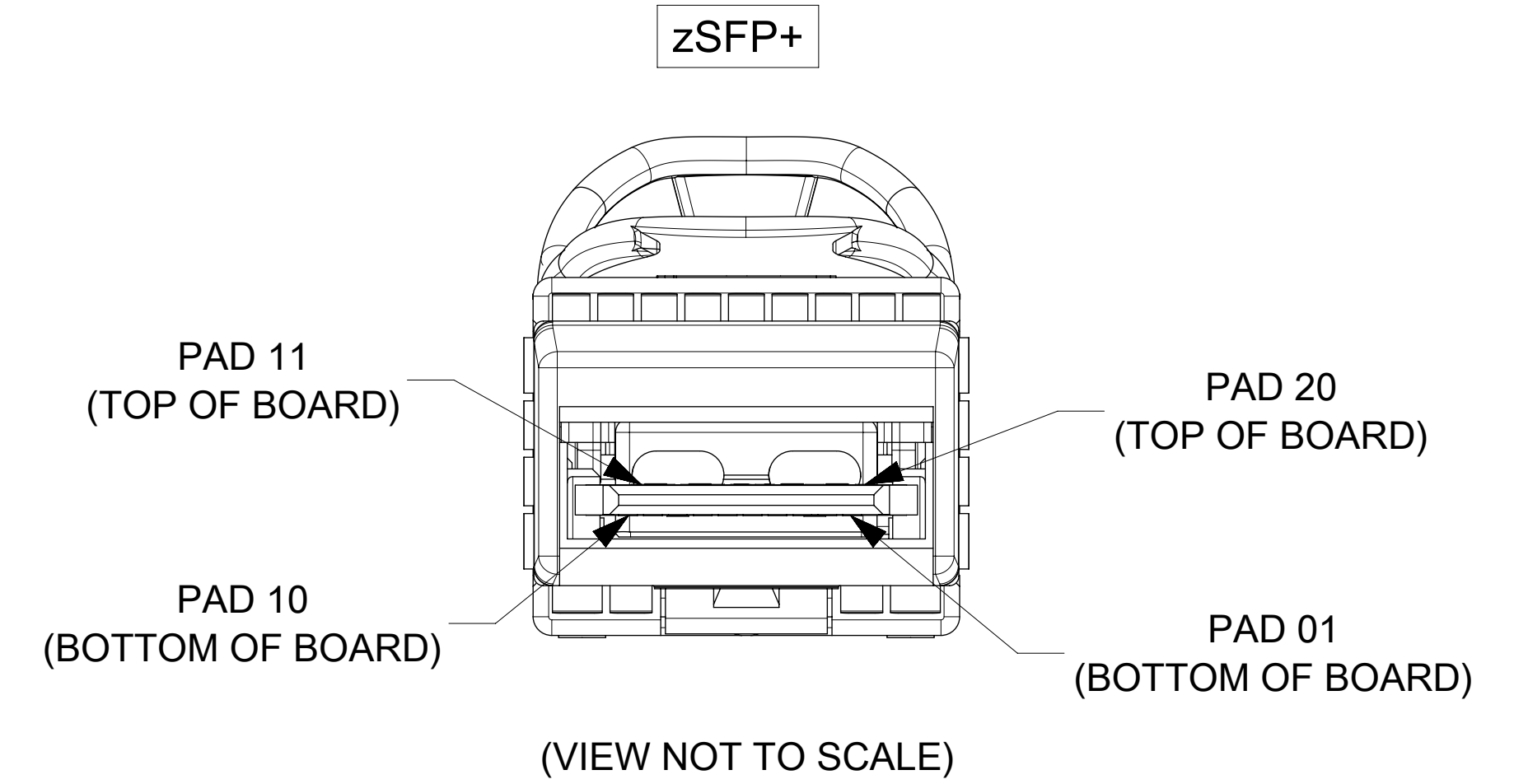
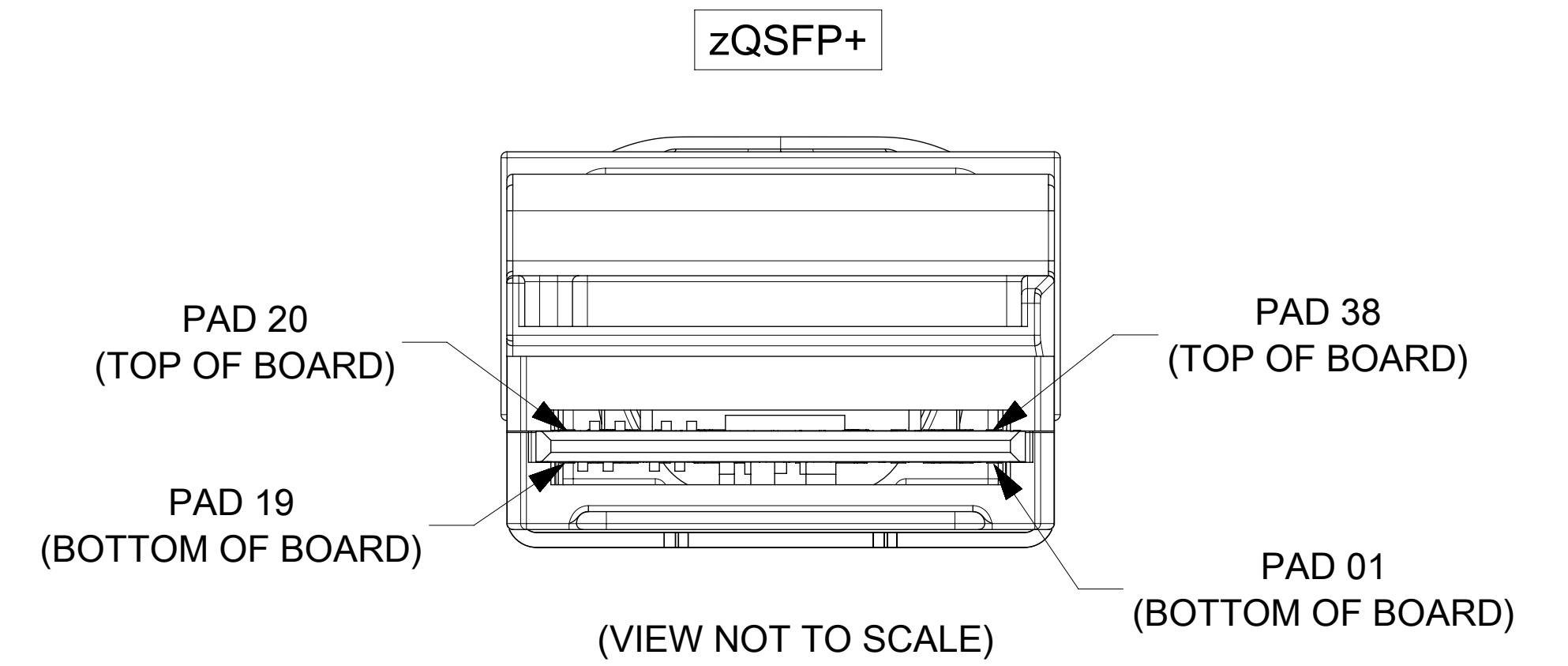
CABLE BEND RADIUS



CABLE AWG	OD OF CBL BUNDLE	MIN BEND RADIUS (mm)	MIN BEND SPACE (mm)
30	4.60	TBD (UNDER REVIEW)	TBD (UNDER REVIEW)
26	5.80	TBD (UNDER REVIEW)	TBD (UNDER REVIEW)



CABLE AWG	OD	MIN BEND RADIUS (mm)	MIN BEND SPACE (mm)
30	4.60	23	40
26	5.80	29	48

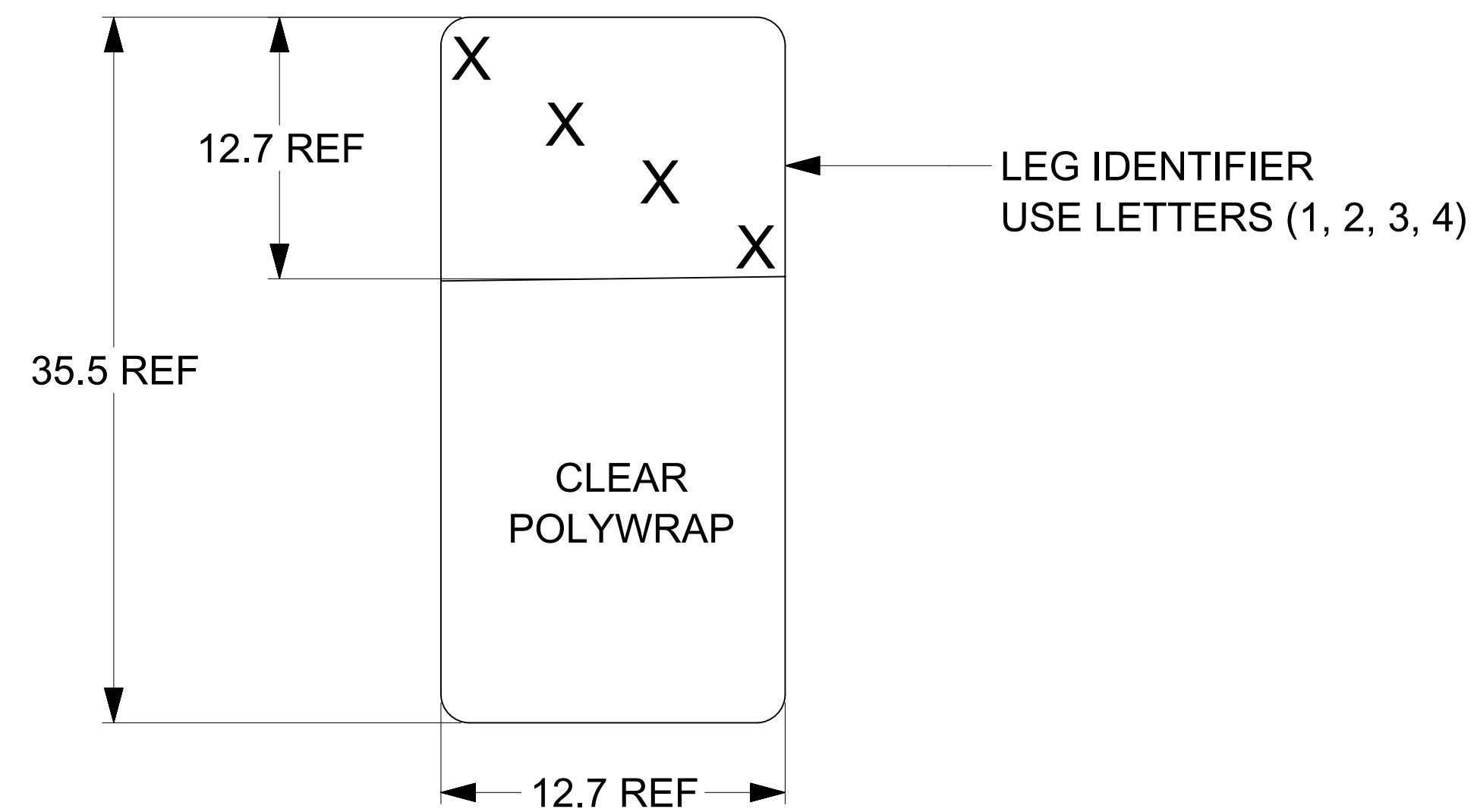


LEGEND:
 ---- = DRAIN LINES
 ---> = TRANSMIT TO RECEIVE ON HIGH SPEED CIRCUITS

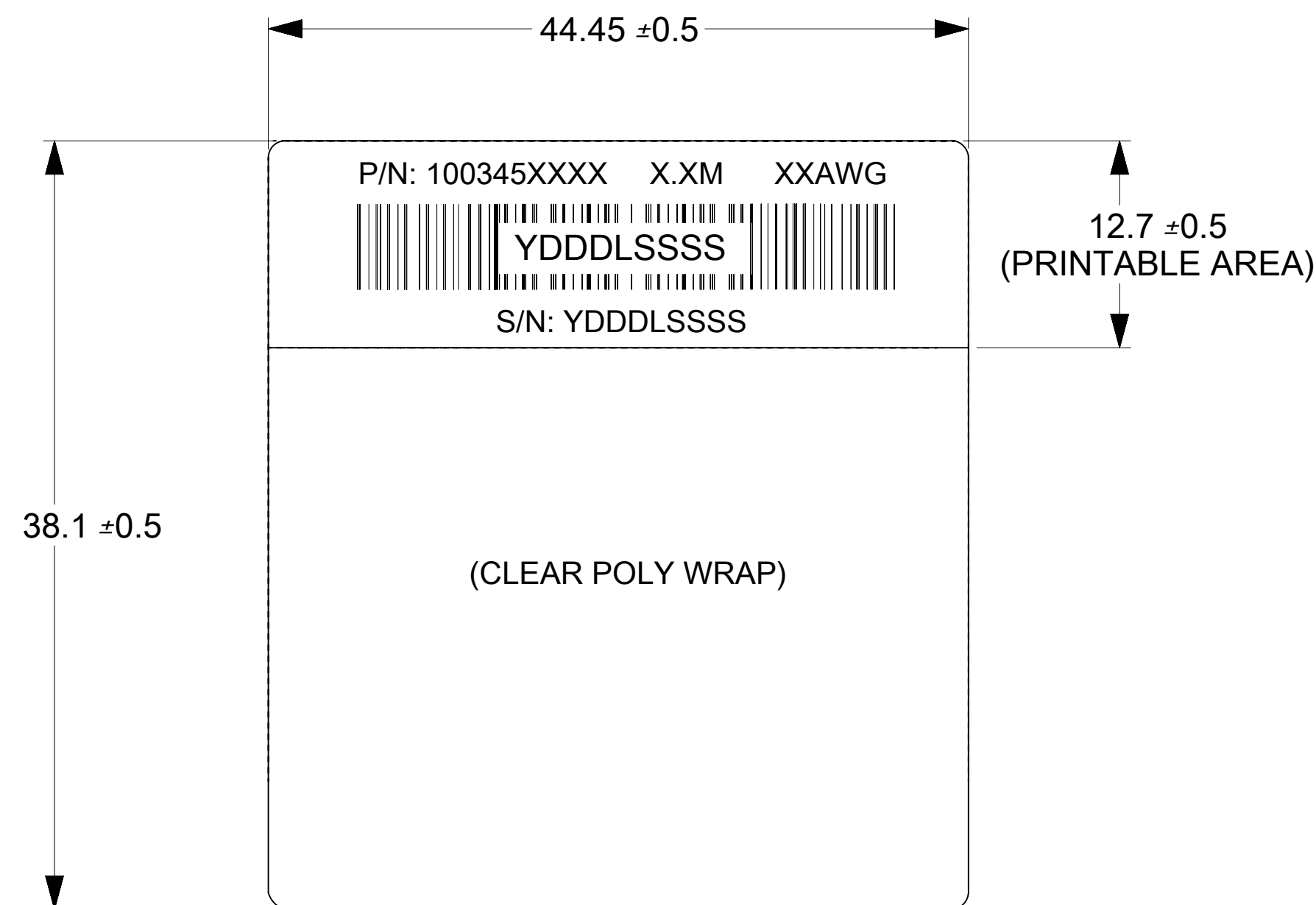
NOTES:
 1. DC BLOCKING CAPS ON RECIEVE SIDE ONLY
 2. CABLE COILED AND PACKAGED IN BEST FIT ESD BAG AND SEALED WITH ESD LABEL FOR SHIPPING.

SYMBOLS	THIS DRAWING CONTAINS INFORMATION THAT IS PROPRIETARY TO MOLEX ELECTRONIC TECHNOLOGIES, LLC AND SHOULD NOT BE USED WITHOUT WRITTEN PERMISSION		CURRENT REV DESC: UPDATED LEG LABEL		
	mm	SCALE			
▽ = 0	GENERAL TOLERANCES (UNLESS SPECIFIED)	EC NO: 607196		ZQSFP+ TO 4ZSFP+ 25G CBL ASSY	
▽ = 0	ANGULAR TOL ± 1.0°	DRWN: GSARVADE 2018/11/02		PRODUCT CUSTOMER DRAWING	
▽ = 0	4 PLACES ±	CHK'D: GSARVADE 2018/11/08		DOCUMENT NUMBER	
▽ = 0	3 PLACES ±	APPR: KNAGANNA 2018/11/08		DOC TYPE DOC PART REVISION	
▽ = 0	2 PLACES ± 0.13	INITIAL REVISION:		1003451056 PSD 000 F	
▽ = 0	1 PLACE ± 0.25	DRWN: MTAMBRALLI 2017/05/05		MATERIAL NUMBER CUSTOMER	
▽ = 0	0 PLACES ±	APPR: ARAYBURN 2017/06/23		SEE PN TABLE GENERAL MARKET	
▽ = 0	DRAFT WHERE APPLICABLE MUST REMAIN WITHIN DIMENSIONS	THIRD ANGLE PROJECTION	DRAWING	SERIES	SHEET NUMBER
▽ = 0			D-SIZE	100345	2 OF 3

LEG ID LABEL



LABEL DETAILS



P/N: 100345XXXX - MOLEX PART NUMBER (SEE P/N TABLE)

X.XM - CABLE LENGTH IN METERS (EXAMPLES - 0.5M, 1.0M)

S/N: YDDLSSSS - SERIAL NUMBER

Y - YEAR, THE LAST DIGIT OF YEAR

DDD - DAY OF THE YEAR

L - LOCATION

1 - USA

2 - MEXICO

3 - CHINA

4 - PHILIPPINES

SSSS - SERIAL NUMBER (0001-9999)

SYMBOLS ▽ = 0 ▽ = 0 ▽ = 0 ▽ = 0 ▽ = 0 ▽ = 0 ▽ = 0 ▽ = 0 ▽ = 0 ▽ = 0 ▽ = 0	THIS DRAWING CONTAINS INFORMATION THAT IS PROPRIETARY TO MOLEX ELECTRONIC TECHNOLOGIES, LLC AND SHOULD NOT BE USED WITHOUT WRITTEN PERMISSION		CURRENT REV DESC: UPDATED LEG LABEL				
	DIMENSION UNITS	SCALE	GENERAL TOLERANCES (UNLESS SPECIFIED)				
	mm		ANGULAR TOL ± 1.0°				
	GENERAL TOLERANCES (UNLESS SPECIFIED)		EC NO: 607196				
	4 PLACES ±		DRWN: GSARVADE 2018/11/02				
	3 PLACES ±		CHK'D: GSARVADE 2018/11/08				
	2 PLACES ± 0.13		APPR: KNAGANNA 2018/11/08				
	1 PLACE ± 0.25		INITIAL REVISION:				
	0 PLACES ±		DRWN: MTAMBRALLI 2017/05/05				
	DRAFT WHERE APPLICABLE MUST REMAIN WITHIN DIMENSIONS		APPR: ARAYBURN 2017/06/23				
THIRD ANGLE PROJECTION		DRAWING	SERIES	DOCUMENT NUMBER	DOC TYPE	DOC PART	REVISION
D-SIZE		100345	1003451056	PSD	000	F	
SEE PN TABLE		GENERAL MARKET		SHEET NUMBER			3 OF 3