

ITEM	PART#	DESCRIPTION	QTY	UOM
A	9508020	KK 156 Crimp Housing 02 Ckt	1	PC
B	8500105	KK 156 TERMINAL CRIMP 18-24 AWG TIN	2	PC
C		PAPER PRINTED PAPER WHITE (S100X150YAJ)	1	PC

FROM	TO	DESCRIPTION	COLOR
A1	--	1X18AWG MPPE BK UL11028	BLACK
A2	--	1X18AWG MPPE BK UL11028	BLACK

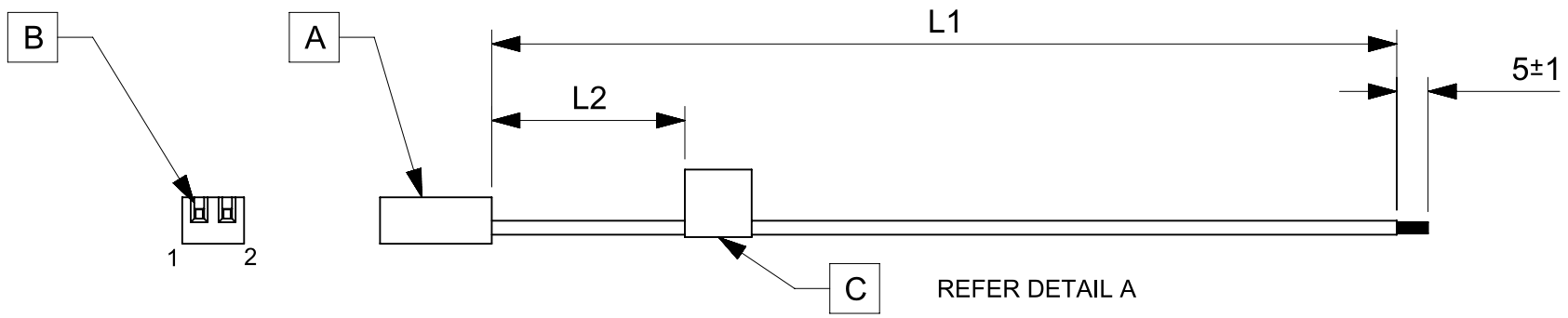


TABLE			
PART NUMBER	L1	L2 (REF)	TITLE
2196651022	150±4	50	KK 3.96 R-S 2ckt 150mm disc Sn
2196651023	300±4	50	KK 3.96 R-S 2ckt 300mm disc Sn
2196651024	600±6	50	KK 3.96 R-S 2ckt 600mm disc Sn

NOTES

1. Connector view shown is from mating side.
2. Label text must be 2mm max. in height with Arial font.
3. Label must be wrapped in Flag type on a single cable.
4. Free ends must be stripped, twisted & tinned. The length of tinning is 5±1mm. Tinning Dia must be 1.6 mm Max.

MOLEX P/N
MOLEX
BATCH WK/YR
DETAIL A

REVISION			
DATE	REV	DESCRIPTION	CHANGER
2021/12/27	A	INITIAL RELEASE	SAIKIG

FUNCTIONAL SYMBOLS $\frac{F}{A} = 0$ $\frac{F}{E} = 0$ $\frac{F}{P} = 0$ DIVISIONAL SYMBOLS	THIS DRAWING CONTAINS INFORMATION THAT IS PROPRIETARY TO MOLEX ELECTRONIC TECHNOLOGIES, LLC AND SHOULD NOT BE USED WITHOUT WRITTEN PERMISSION		CURRENT REV DESC:					
	DIMENSION UNITS	SCALE	GENERAL TOLERANCES (UNLESS SPECIFIED)					
	mm	NTS	ANGULAR TOL ± °					
	4 PLACES ±		3 PLACES ±					
3 PLACES ±		2 PLACES ±		EC NO: 691733	SEE TABLE PRODUCT CUSTOMER DRAWING			
2 PLACES ±		1 PLACE ±		DRWN: SAIKIG 2021/12/29				
1 PLACE ±		0 PLACES ±		CHK'D: MNARAYAN01 2022/01/19				
DRAFT WHERE APPLICABLE MUST REMAIN WITHIN DIMENSIONS		THIRD ANGLE PROJECTION	DRAWING	SERIES		DOCUMENT NUMBER	DOC TYPE	DOC PART
			A4-SIZE	219665	2196651022	PSD	000	A
					MATERIAL NUMBER	CUSTOMER		SHEET NUMBER
					SEE TABLE	GENERAL MARKET		1 OF 1