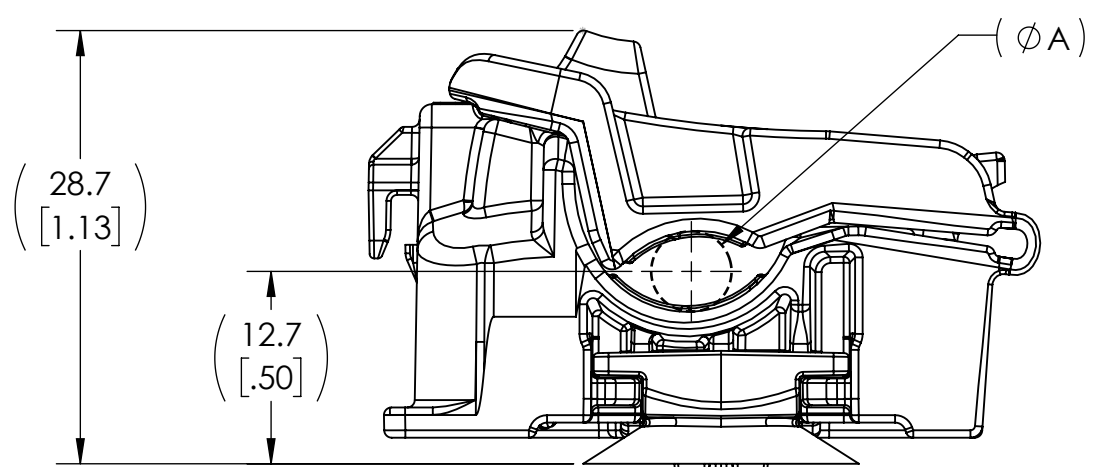
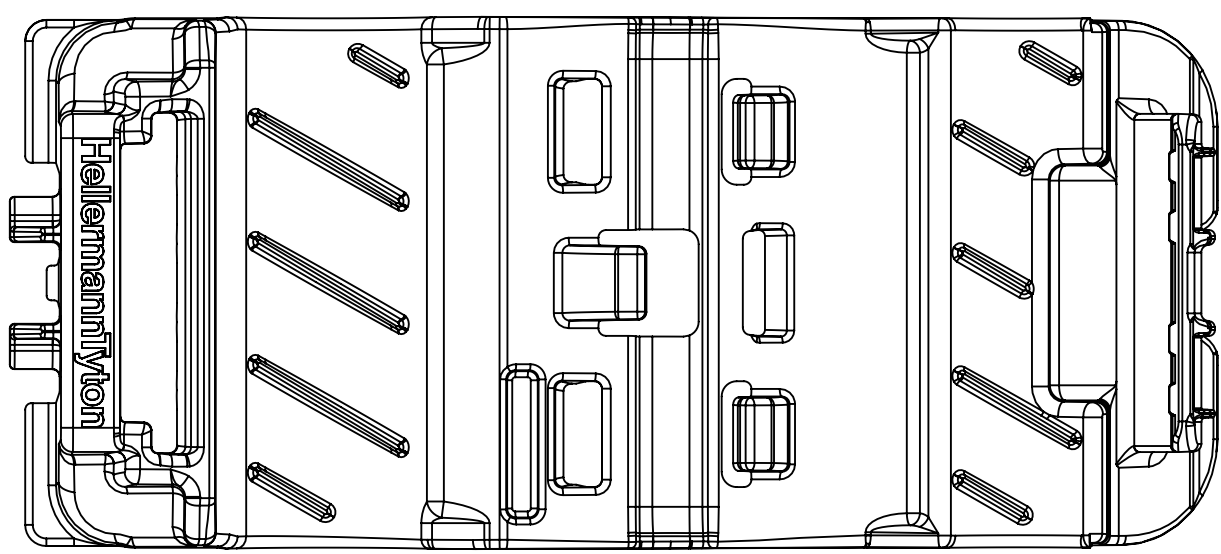
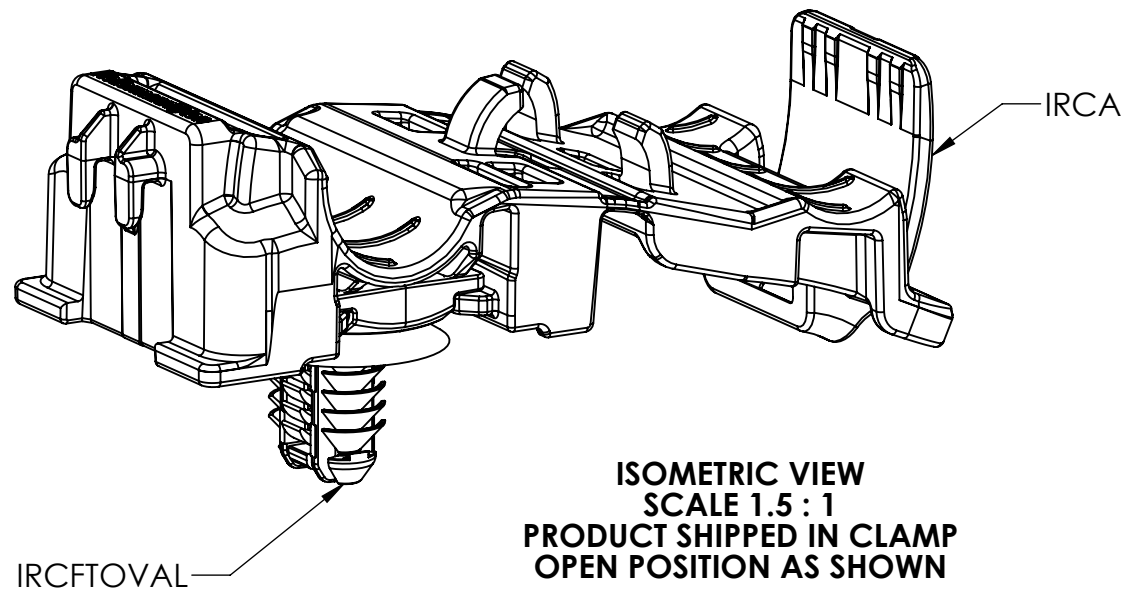
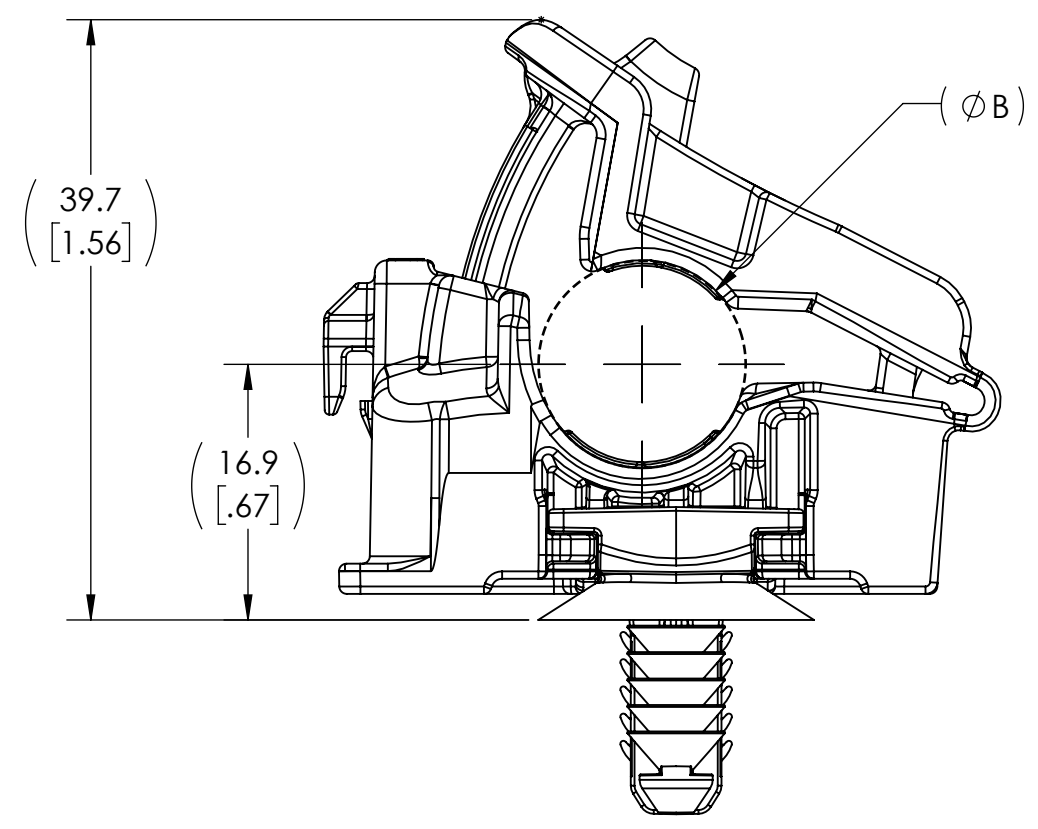
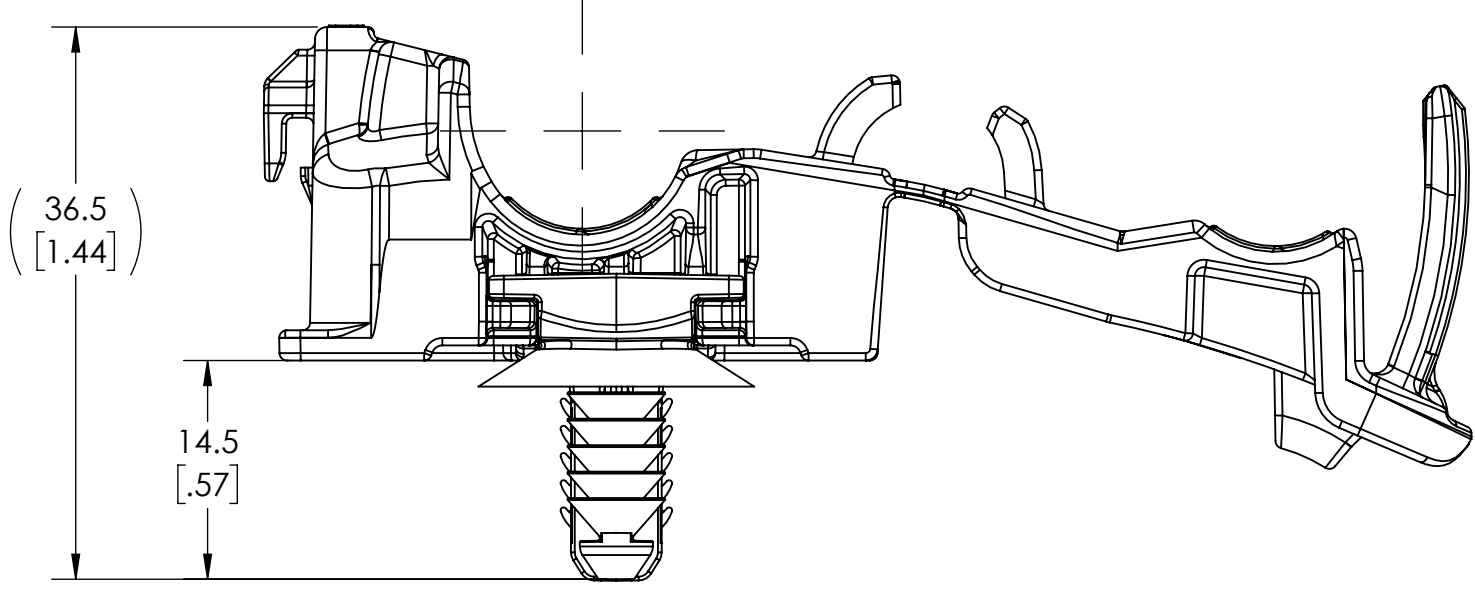
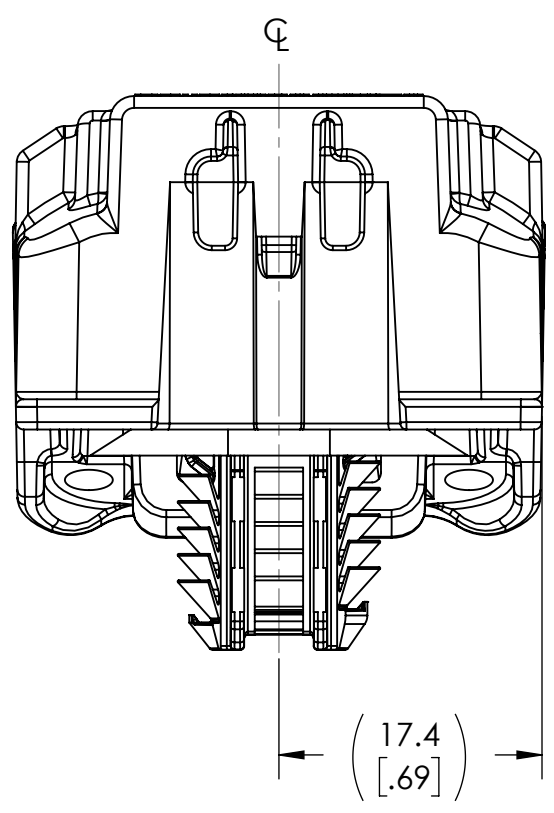


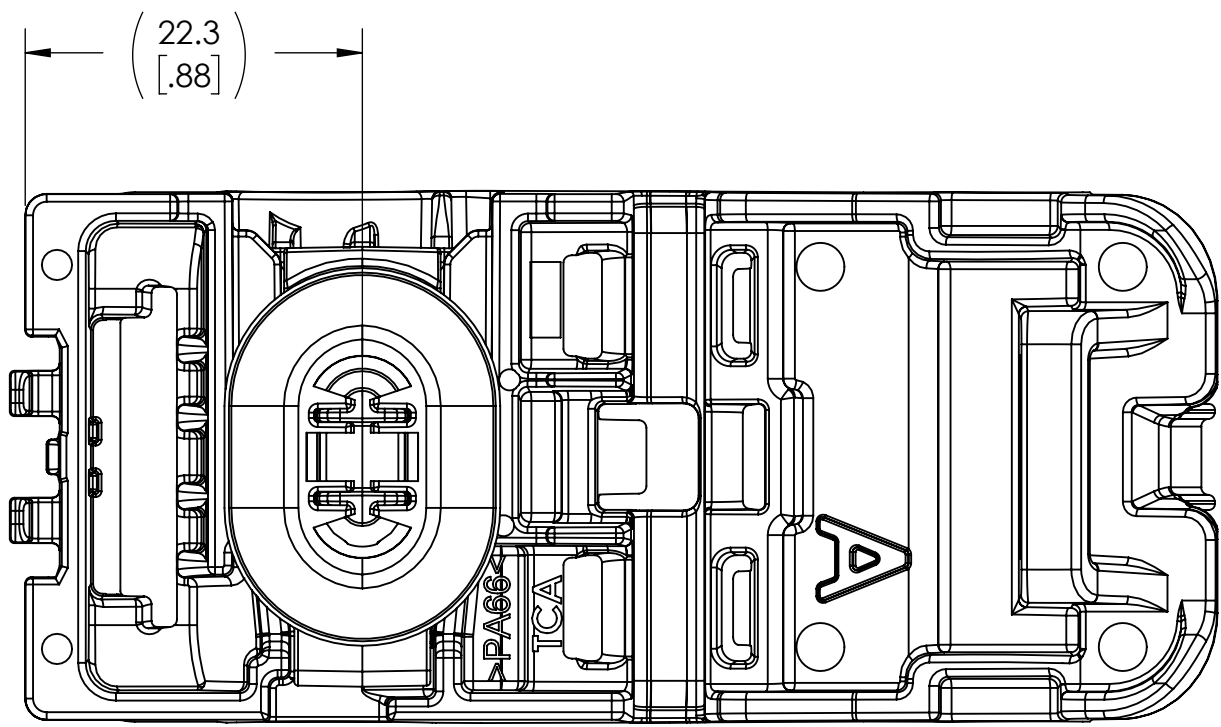
| Revision level | | | Revision Record | Changed | Date | Approved | Date |
|----------------|----------------|------|-----------------|---------|------------|----------|------------|
| Drawing | State | Part | | | | | |
| 00.0 | Design Release | | SEE ECN# 015255 | MHT | 06/28/2019 | CTF | 06/28/2019 |



MINIMUM BUNDLE DIAMETER



MAXIMUM BUNDLE DIAMETER



- REFERENCE:**
- SHEET METAL THICKNESS RANGE: 0.60mm - 6.75mm
 - APPLICABLE HOLE SIZE:
 - A. 6.2 X 12.2mm +/-0.2
 - B. 6.5 X 12.5mm +0.2/-0.4
 - C. 6.5 X 13.0mm +/-0.2
 - D. 7.0 X 12.0mm +/-0.2

| GLOBAL PART DESCRIPTION | BUNDLE TYPES | (A) MINIMUM DIAMETER | (B) MAXIMUM DIAMETER | IRCA CLAMP | | | IRCFTOVAL CONNECTOR CLIP | | |
|---------------------------|--------------|----------------------|----------------------|-----------------|-------------|-------|--------------------------|-------------|-------|
| | | | | DRAWING | MATERIAL | COLOR | DRAWING | MATERIAL | COLOR |
| IRCAFTOVAL-PA66HIRHSUV-BK | SOFT | 6.2 [.24] | 13.7 [.54] | 16-1639-001-CSU | PA66HIRHSUV | BLACK | 16-1645-041-CSU | PA66HIRHSUV | BLACK |
| | HARD | 5.4 [.21] | 12.9 [.51] | | | | | | |

| | | | | | | | | | |
|----------------------------|--|--|---|-----|------------|-----------------|--|----------------|------------|
| Notes | Material | Units: millimeters | Drawn | MHT | 06/24/2019 | Article/Type-No | IRCAFTOVAL | Scale | 2:1 |
| | SEE CHART | Dimension without tolerances details to: | Approved | CTF | 06/24/2019 | Title | INLINE RATCHET P-CLAMP A WITH 7X12mm FIR TREE (FTOVAL) | Project Number | PRP19-0320 |
| | | .xxx = ±.013 | The copyright of this drawing is reserved by HellermannTyton. It is issued on condition that it is not reproduced, copied, or disclosed to a third party, either wholly or in part, without the consent of HellermannTyton. | | Drawing-No | 19-0320-101-CSU | Production : Phase | Format | C |
| | | .xx = ±.13 | | | Sheet | 1/1 | | | |
| .x = ±.3 | North America Email: corp@htamericas.com Web: www.hellermann.tyton.com | | | | | | | | |
| None = ±.8 | | | | | | | | | |
| < = ±0.5* | | | | | | | | | |
| Dimension Formatted mm{in} | | | | | | | | | |