

6

5

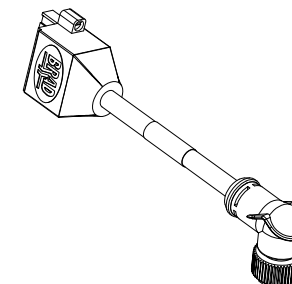
4

3

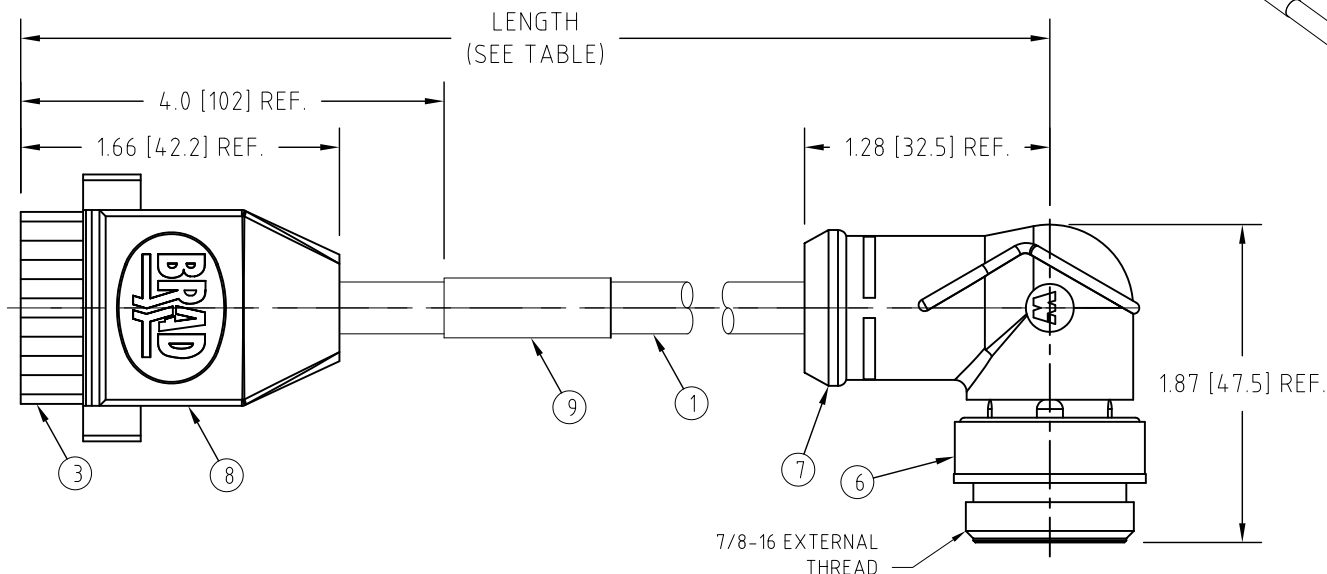
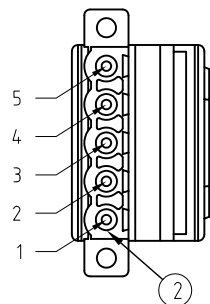
2

1

MATERIAL NUMBER	ENGINEERING NUMBER	LENGTH
130039-0122	DND49A-M010	1.0M +55.6mm -0 [3.28FT +2.19IN -0]



FEMALE FACE VIEW



NOTES:

- 1) MATERIALS:  
SEE TABLE
- 2) FINISHES:  
SEE TABLE
- 3) ELECTRICAL DATA:  
MAX. VOLTAGE: 250 VAC  
MAX. CURRENT: 4 AMPS
- 4) ENVIRONMENTAL:  
PROTECTION IP20  
TEMPERATURE RANGE: -20°C TO 80°C
- 5) CERTIFICATIONS:  
UL: E152210  
cCSAus FILE: LR6837
- 6) ASSEMBLY IS RoHS COMPLIANT.

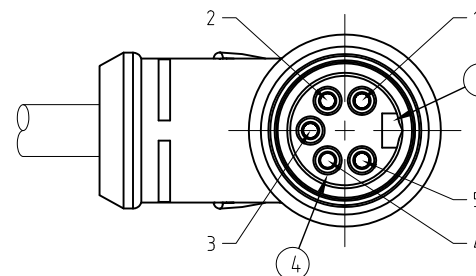
WIRING DIAGRAM

3	DRAIN	1
5	RED	2
1	BLACK	3
4	WHITE	4
2	BLUE	5

FEMALE

MALE

MALE FACE VIEW



ITEM	QTY.	DESCRIPTION	MATERIAL	FINISH
9	1	LABEL	PLASTIC FILM	YELLOW
8	1	OVERMOLD	TPE	GRAY
7	1	OVERMOLD	TPE	GRAY
6	1	COUPLING NUT	ZINC DIE-CAST	BLACK E-CDAT
5	1	MALE INSERT	PVC	GRAY
4	5	PIN CONTACT	COPPER ALLOY	GOLD PLATING
3	1	D-NET OPEN CONNECTOR	POLYAMIDE	GRAY
2	5	SOCKET CONTACT	COPPER ALLOY	GOLD PLATING
1	1	#22/4 CABLE + DRAIN	PVC JACKET	GRAY

RELEASE SALES DRAWING EC NO: WNA2010-0437 DRWN: LHARTMAN 2010/01/22 CHKD: BWOODMAN APPR: JFMURPHY 2010/01/23	QUALITY SYMBOLS	DESCRIPTION REV															
	$\nabla=0$ $\sphericalangle=0$																
	GENERAL TOLERANCES (UNLESS SPECIFIED)																
	<table border="1"> <thead> <tr> <th></th> <th>mm</th> <th>INCH</th> </tr> </thead> <tbody> <tr> <td>4 PLACES</td> <td>±---</td> <td>±---</td> </tr> <tr> <td>3 PLACES</td> <td>±---</td> <td>±.005</td> </tr> <tr> <td>2 PLACES</td> <td>±0.13</td> <td>±.010</td> </tr> <tr> <td>1 PLACE</td> <td>±0.25</td> <td>±.020</td> </tr> </tbody> </table>			mm	INCH	4 PLACES	±---	±---	3 PLACES	±---	±.005	2 PLACES	±0.13	±.010	1 PLACE	±0.25	±.020
			mm	INCH													
4 PLACES	±---	±---															
3 PLACES	±---	±.005															
2 PLACES	±0.13	±.010															
1 PLACE	±0.25	±.020															
ANGULAR ±1/2°																	
DRAFT WHERE APPLICABLE MUST REMAIN WITHIN DIMENSIONS																	
A																	

GENERAL TOLERANCES (UNLESS SPECIFIED)		DIMENSION STYLE	SCALE	DESIGN UNITS	THIRD ANGLE PROJECTION
		IN/MM	1:1	INCH	
		DRAWN BY	DATE	TITLE	
		LHARTMAN	2010/01/22	MC CORDSET TO OPEN	
		CHECKED BY	DATE	5P MA 90 TO FE OPEN	
		BWOODMAN	2010/01/27	#22/4 + DRAIN PVC CABLE	
		APPROVED BY	DATE	MOLEX INCORPORATED	
		---	---	MOLEX	
		MATERIAL NO.	DOCUMENT NO.	SHEET NO.	
		SEE TABLE	SD-130039-030	1 OF 1	
		SIZE	THIS DRAWING CONTAINS INFORMATION THAT IS PROPRIETARY TO MOLEX INCORPORATED AND SHOULD NOT BE USED WITHOUT WRITTEN PERMISSION		
		A			

6

5

4

3

2

1