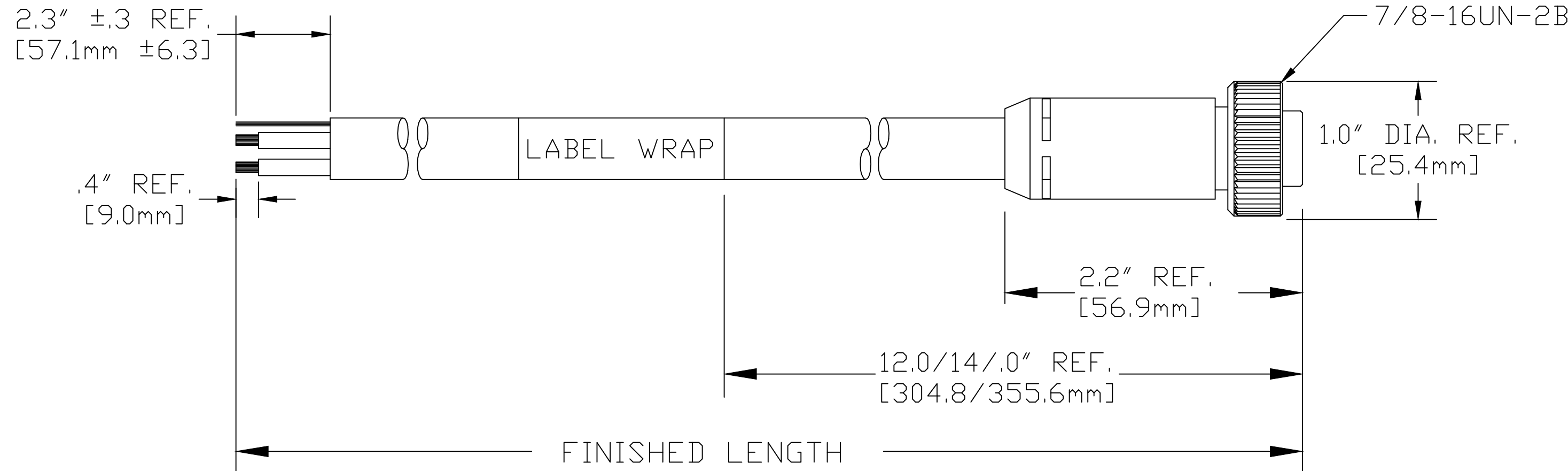


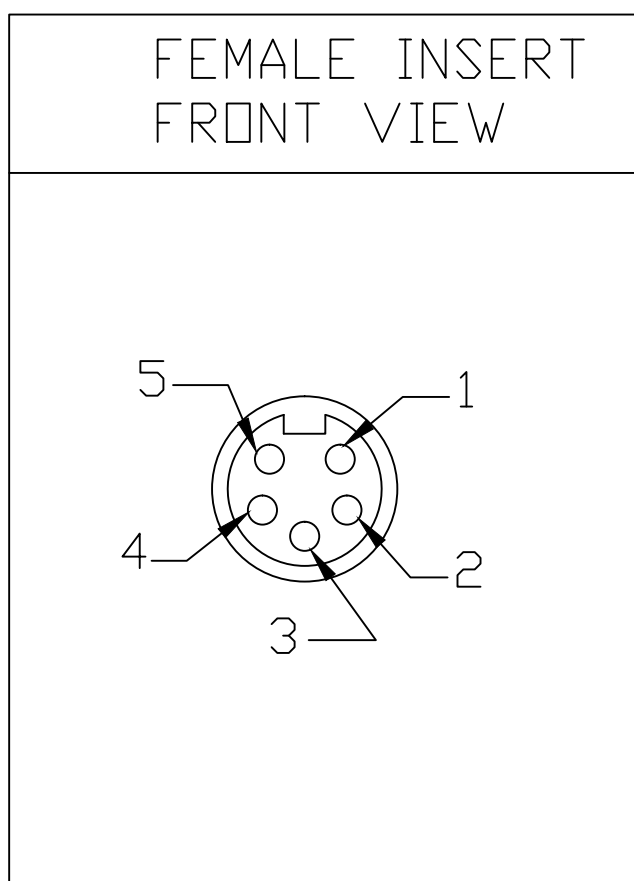
13	12	11	10	9	8	7	6	5	4	3	2	1
MATERIAL NUMBER	OLD PART NUMBER	FINISHED LENGTH										
1300240260	DNE10A-M010	3.28' +3.50" -0 [1.0M +88.9mm -0]										



DNE10A-M010

Cable type
DEVICENET
TRAY-RATED

cable length
M010----1 Meter
M100----10 Meter



CONTACT:	GOLD/NICKEL OVER COPPER ALLOY
INSERT:	PVC, GRAY
COUPLING NUT:	ZINC DIE CAST, BLACK E-COATED
MOLDED BODY:	PVC, GRAY
VOLTAGE RATING:	600 VAC/VDC
AMPERAGE RATING:	8 AMPS
PROTECTION:	IP67
OPERATING TEMPERATURE:	-20°C TO 75°C
CERTIFICATIONS:	UL RECOGNIZED FILE NO. E152210 CSA CERTIFIED FILE NO. LR6837

1	DRAIN
2	RED
3	BLACK
4	WHITE
5	BLUE

WIRING DIAGRAM

INITIAL RELEASE EC NO: IPG2014-0457 DRWN: GGUSTAFS 2013/09/03 CH'KD: BARDEN APPR: BWOODMAN 2013/10/07 REV A	QUALITY SYMBOL ▽=0 ▽C=0	GENERAL TOLERANCES (UNLESS SPECIFIED)	DIMENSION STYLE IN/MM	SCALE NTS	DESIGN UNITS INCH	THIRD ANGLE PROJECTION																											
		<table border="1"> <tr> <td></td> <td>mm</td> <td>INCH</td> </tr> <tr> <td>4 PLACES</td> <td>±---</td> <td>±---</td> </tr> <tr> <td>3 PLACES</td> <td>±---</td> <td>±.005</td> </tr> <tr> <td>2 PLACES</td> <td>±0.13</td> <td>±.010</td> </tr> <tr> <td>1 PLACE</td> <td>±0.25</td> <td>±.020</td> </tr> </table>		mm	INCH	4 PLACES	±---	±---	3 PLACES	±---	±.005	2 PLACES	±0.13	±.010	1 PLACE	±0.25	±.020	<table border="1"> <tr> <td>DRAWN BY</td> <td>DATE</td> </tr> <tr> <td>EBRACKEN</td> <td>2013/06/18</td> </tr> <tr> <td>CHECKED BY</td> <td>DATE</td> </tr> <tr> <td>BARDEN</td> <td>2013/09/12</td> </tr> <tr> <td>APPROVED BY</td> <td>DATE</td> </tr> <tr> <td>BWOODMAN</td> <td>2013/10/07</td> </tr> </table>	DRAWN BY	DATE	EBRACKEN	2013/06/18	CHECKED BY	DATE	BARDEN	2013/09/12	APPROVED BY	DATE	BWOODMAN	2013/10/07	TITLE MINI-CHANGE DEVICENET 5 POLE ST FEMALE TRUNK CABLE 2TPR PVC		
		mm	INCH																														
	4 PLACES	±---	±---																														
3 PLACES	±---	±.005																															
2 PLACES	±0.13	±.010																															
1 PLACE	±0.25	±.020																															
DRAWN BY	DATE																																
EBRACKEN	2013/06/18																																
CHECKED BY	DATE																																
BARDEN	2013/09/12																																
APPROVED BY	DATE																																
BWOODMAN	2013/10/07																																
DRAFT WHERE APPLICABLE MUST REMAIN WITHIN DIMENSIONS	MATERIAL NO. SEE CHART	DOCUMENT NO. SD-130024-025	SHEET NO. 1 OF 1																														
	SIZE C	THIS DRAWING CONTAINS INFORMATION THAT IS PROPRIETARY TO MOLEX INCORPORATED AND SHOULD NOT BE USED WITHOUT WRITTEN PERMISSION																															