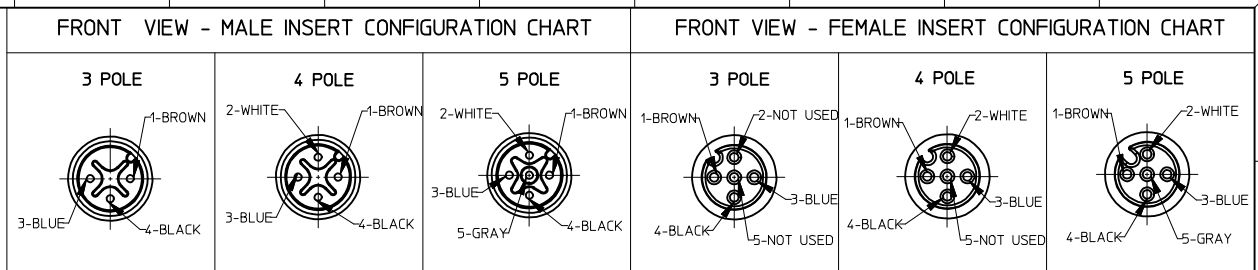
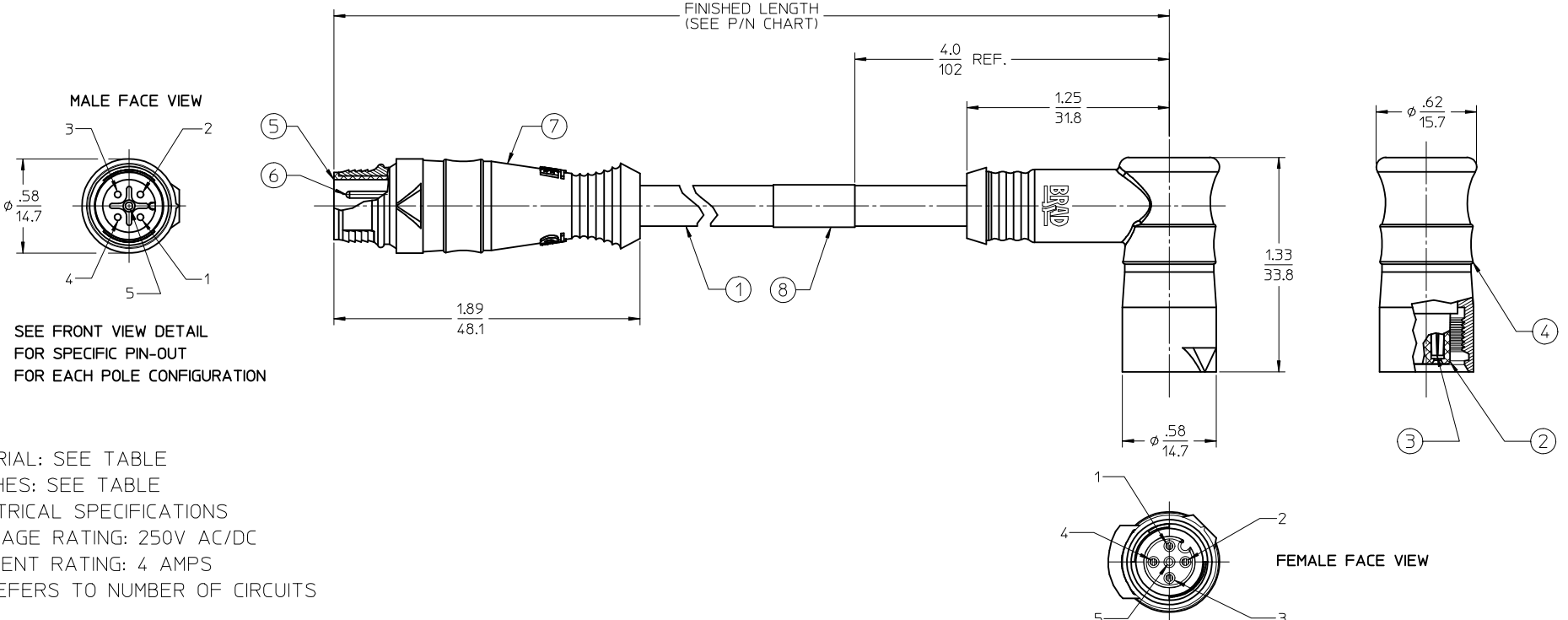
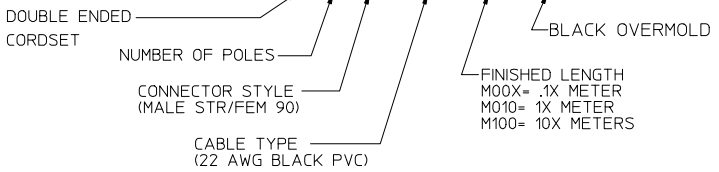


POLES	MATERIAL NO.	ENGINEERING NO.	FINISHED LENGTH
3	1200660032	NN3031A41M010G	3'3" +2.19"-0 (1M +55.6mm-0)
3	1200660033	NN3031A41M020G	6'7" +3.50"-0 (2M +88.9mm-0)
3	1200660034	NN3031A41M050G	16'5" +6.50"-0 (5M +165.1mm-0)
4	1200660040	NN4031A41M010G	3'3" +2.19"-0 (1M +55.6mm-0)
4	1200660041	NN4031A41M020G	6'7" +3.50"-0 (2M +88.9mm-0)
4	1200660042	NN4031A41M050G	16'5" +6.50"-0 (5M +165.1mm-0)



CABLE P/N MATRIX

NNX031A41MXXXG



- NOTES:
1. MATERIAL: SEE TABLE
 2. FINISHES: SEE TABLE
 3. ELECTRICAL SPECIFICATIONS
VOLTAGE RATING: 250V AC/DC
CURRENT RATING: 4 AMPS
 4. XX REFERS TO NUMBER OF CIRCUITS

8	1	WRAP LABEL	VINYL	BLACK/YELLOW
7	1	MICRO-PUSH OVERMOLD (MALE STR)	TPE	BLACK
6	XX	CONTACT PIN	Cu ALLOY	GOLD PLATED
5	1	INSERT (MALE)	NYLON	BLACK
4	1	MICRO-PUSH OVERMOLD (90D FEMALE)	PVC	BLACK
3	XX	CONTACT SOCKET	Cu ALLOY	GOLD PLATED
2	1	INSERT (FEMALE)	NYLON	BLACK
1	A/R	CABLE, 22 AWG, UN SHLD	PVC JACKET	BLACK
ITEM	QTY.	DESCRIPTION	MATERIAL	FINISH

RELEASED
EC NO: IFC2015-1589
DRAWN BY: DRWINSTONE 2015/03/10
CHKD BY: JOZWIK 2015/03/12
APPR: JFMURPHY 2015/03/17

QUALITY SYMBOLS
▽=0
▽=0

GENERAL TOLERANCES (UNLESS SPECIFIED)

	mm	INCH
4 PLACES	± .005	± .0002
3 PLACES	± .005	± .0002
2 PLACES	± .01	± .0004
1 PLACE	± .03	± .0012
0 PLACE	± .005	± .0002

ANGULAR ± 2°

DRAFT WHERE APPLICABLE MUST REMAIN WITHIN DIMENSIONS

DIMENSION STYLE
IN/MM

SCALE
2:1

DESIGN UNITS
INCH

THIRD ANGLE PROJECTION

DRAWN BY: RSTONE 2015/03/10
CHECKED BY: K JOZWIK 2015/03/12
APPROVED BY: JFMURPHY 2015/03/17

MATERIAL NO.
SEE P/N CHART

TITLE
MIC PUSH-ON CABLE ASSY
MALE STR TO FEM 90 DEG
22 AWG CABLE

molex

DOCUMENT NO.
SD-120066-059

SHEET NO.
1 OF 1

THIS DRAWING CONTAINS INFORMATION THAT IS PROPRIETARY TO MOLEX INCORPORATED AND SHOULD NOT BE USED WITHOUT WRITTEN PERMISSION