

MATERIAL NUMBER	# OF COLUMNS	# OF DIFF PAIR	DIM "A" MAX	DIM "B"
76450-*10*	10	20	26.60	17.10
76450-*60*	16	32	38.00	28.50

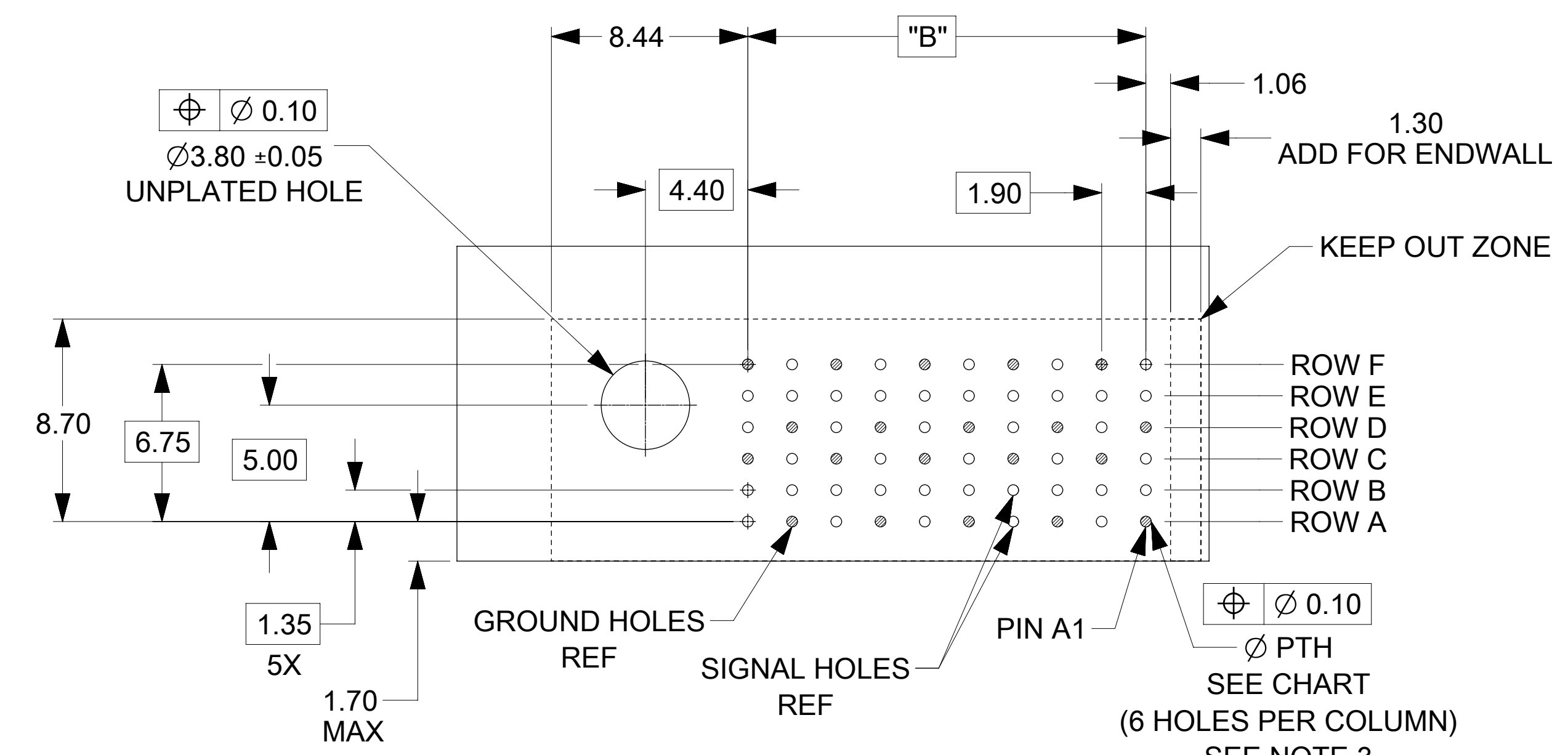
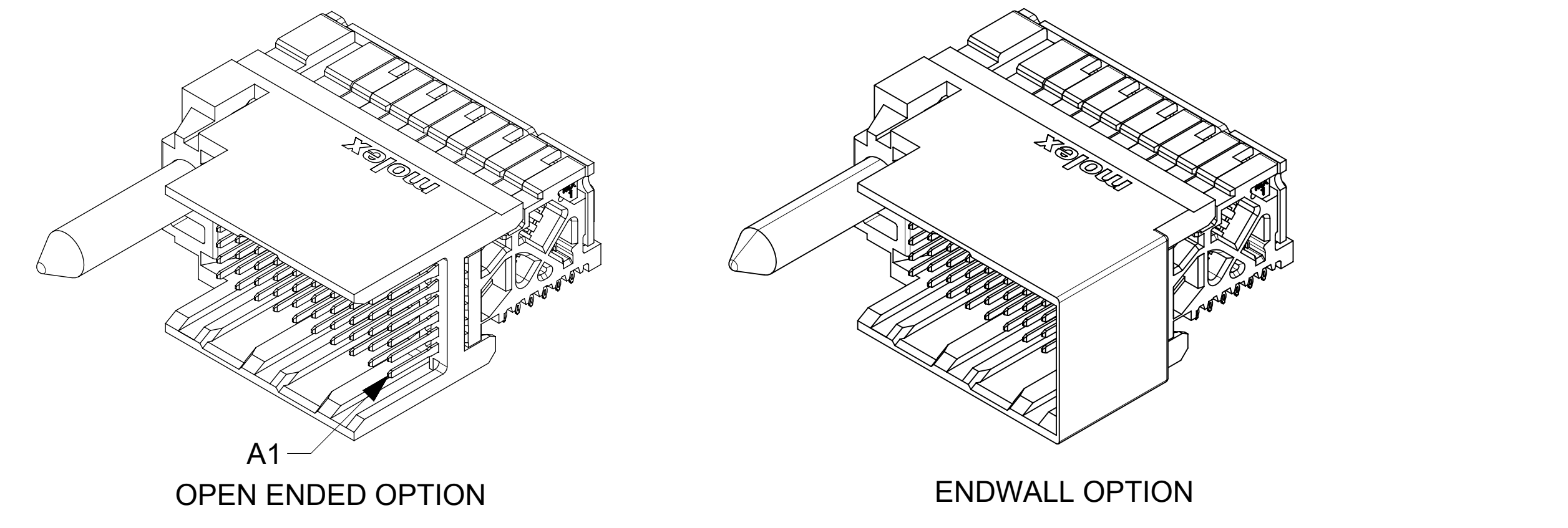
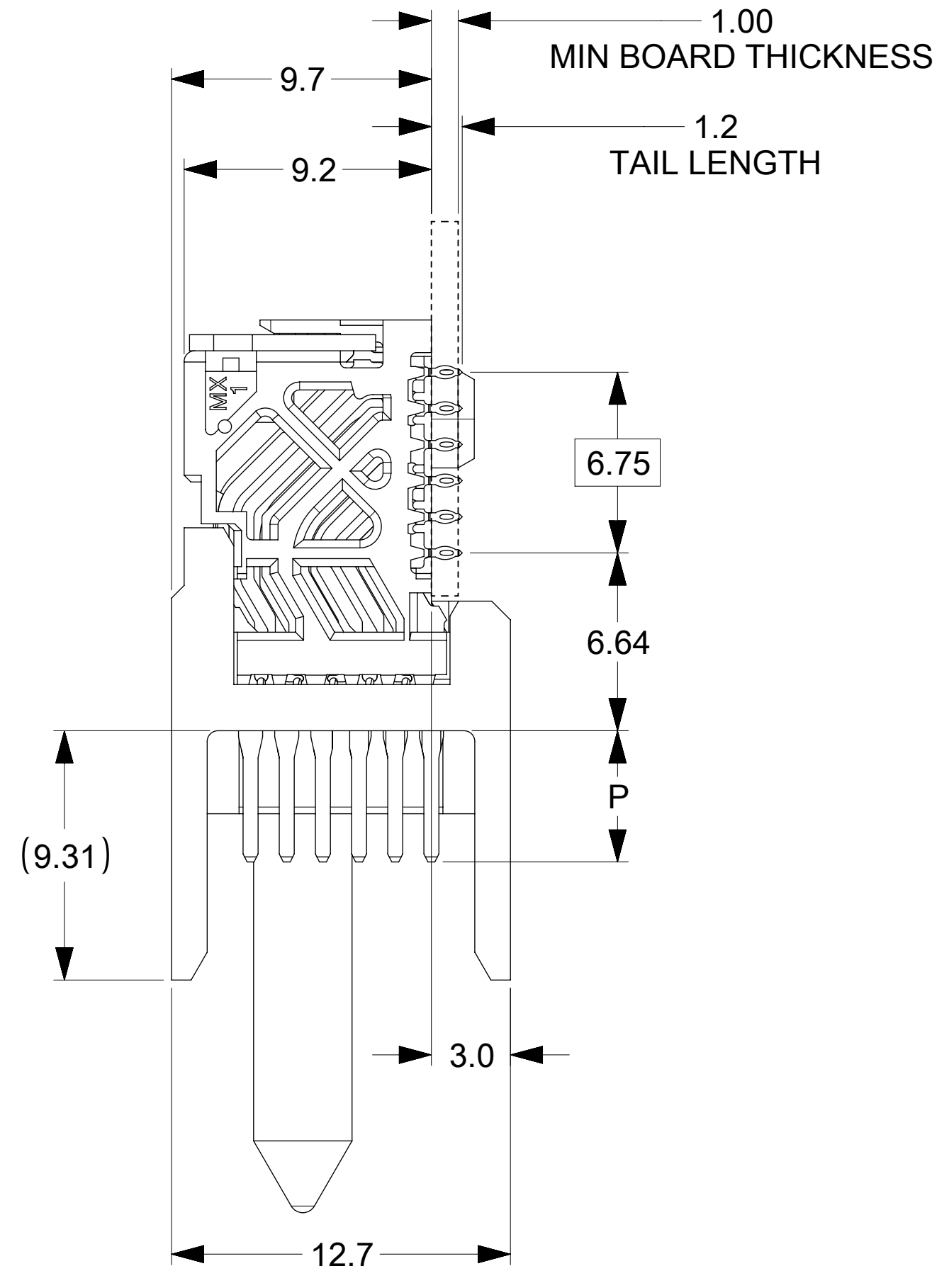
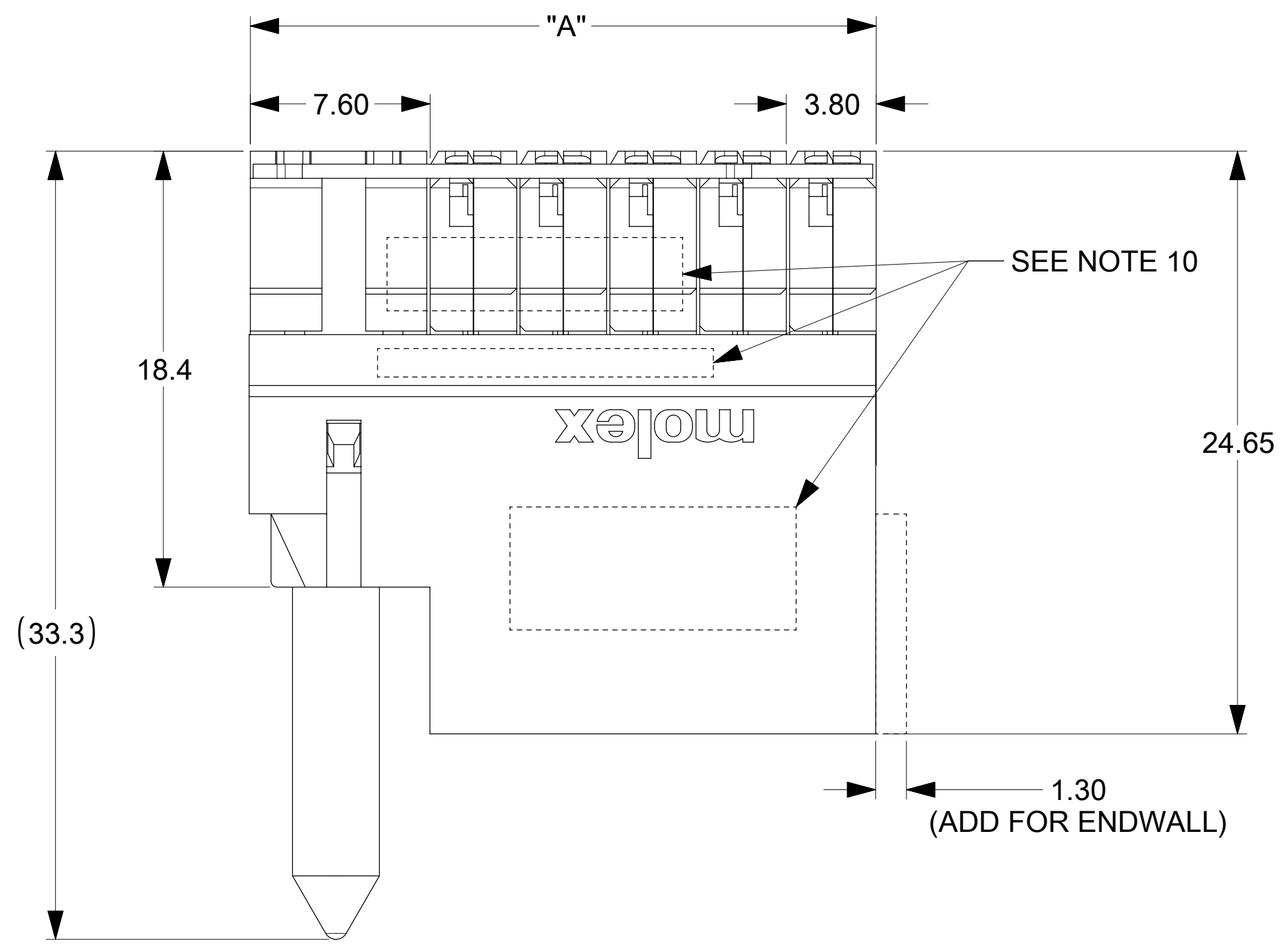
**76450-\*\*0\***

MODULE TYPE  
 3 = LEFT GUIDED LEAD-FREE  
 7 = LEFT GUIDED LEAD-FREE W/ ENDWALL

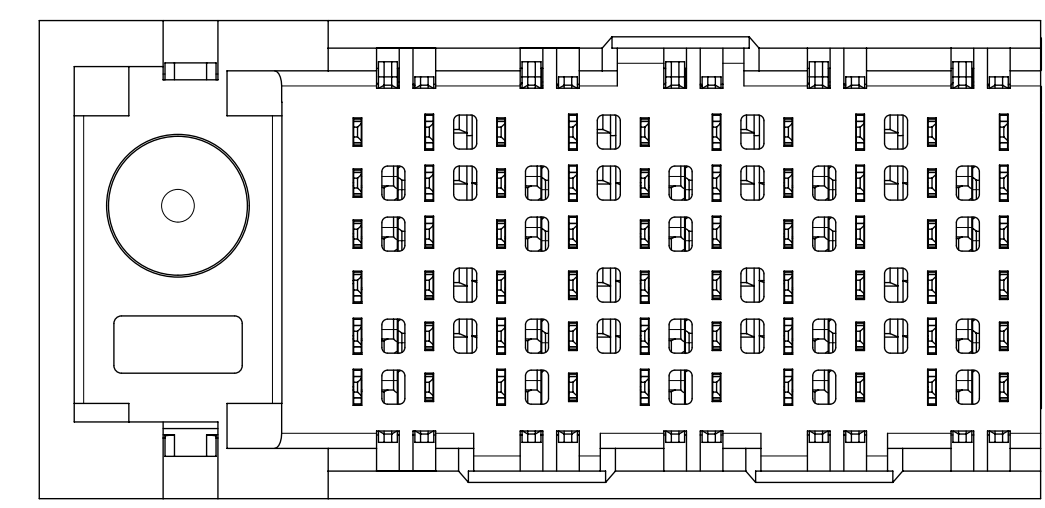
PIN LENGTH (P)  
 4 = 4.90 (0.46 PTH)  
 5 = 5.50 (0.46 PTH)  
 7 = 4.90 (0.39 PTH)  
 8 = 5.50 (0.39 PTH)

# OF COLUMNS  
 1 = 10 COL  
 6 = 16 COL

- NOTES:
- MATERIALS: HOUSING - LIQUID CRYSTAL POLYMER (LCP), GLASS-FILLED, UL94V-0  
 TERMINALS - HIGH PERFORMANCE COPPER ALLOY
  - FINISH: 30µin SELECTIVE GOLD IN CONTACT AREA, SELECTIVE TIN ON PCB TAILS, NICKEL OVERALL.
  - FOR FURTHER INFORMATION SEE PRODUCT SPECIFICATION PS-76060-999..
  - EACH SIGNAL WAFER CONTAINS 2 COLUMNS OF TERMINALS.
  - PRODUCT TO BE PACKAGED PER PACKAGING SPECIFICATION PK-70873-077.
  - THIS PART CONFORMS TO CLASS B REQUIREMENTS OF COSMETIC SPEC PS-45499-002.
  - REFER TO MOLEX SALES DRAWING SD-76460-004 FOR MATING DAUGHTERCARDS.
  - REFER TO MOLEX PCB ROUTING GUIDE AS-76060-990 FOR ANTIPAD AND ROUTING RECOMMENDATIONS.
  - WHEN USING MOLEX SUPPLIED #2-32 SCREW 73726-0005 (7.62 +0.38/-0.76 mm THREADABLE SCREW LENGTH), THE BOARD THICKNESS RANGE IS 1.60 TO 3.85 mm.
  - MARKING: LOCATED APPROXIMATELY AS SHOWN. PART NUMBER AND DATE CODE.

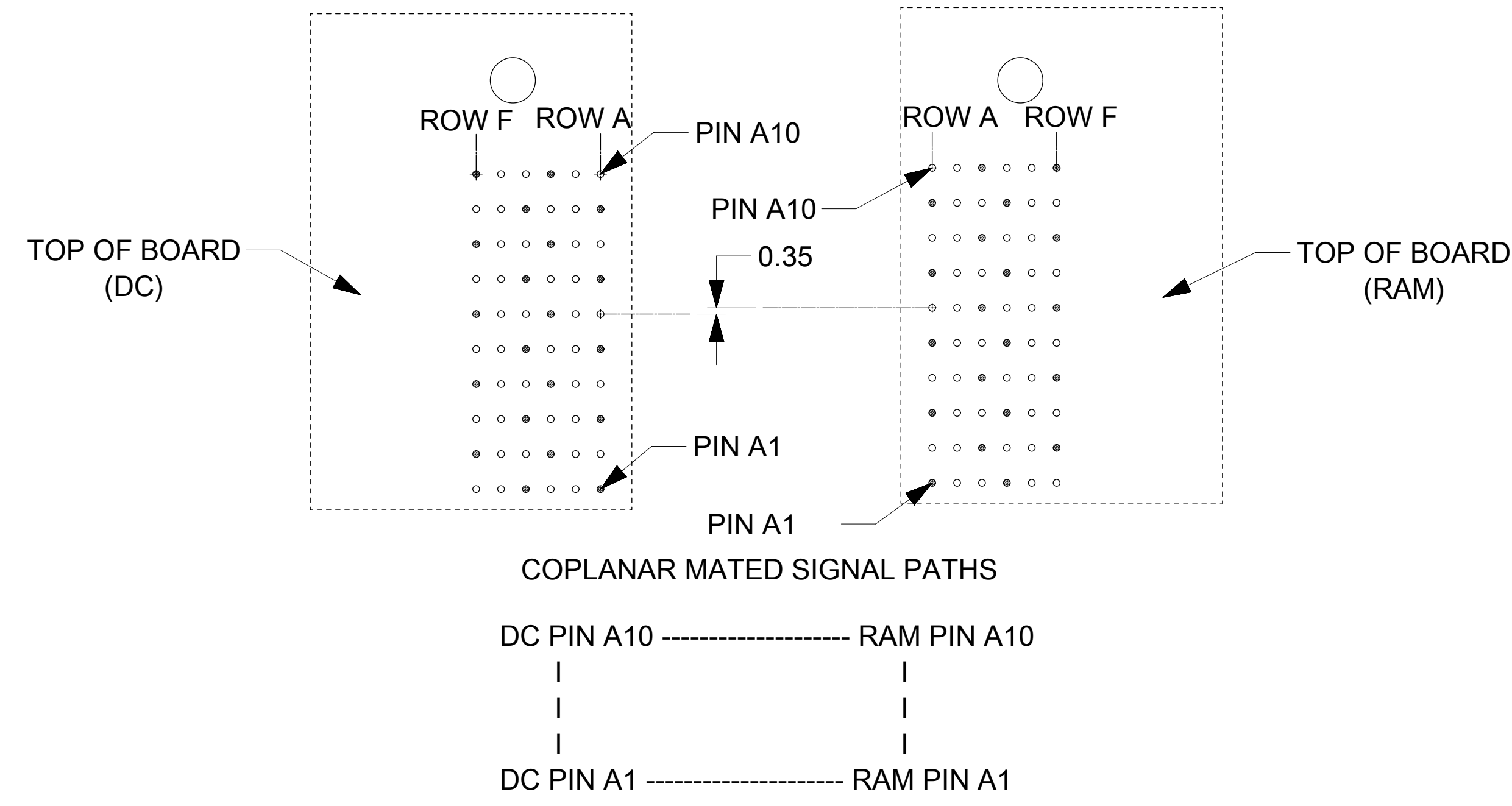
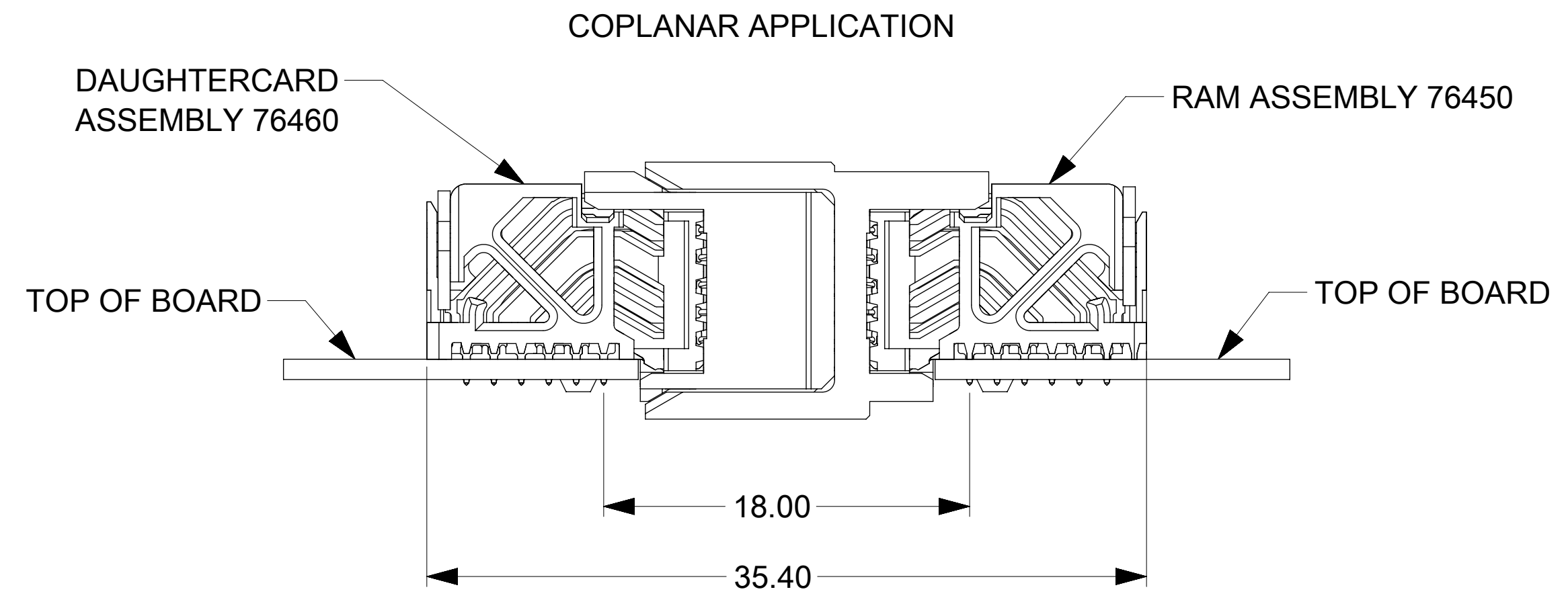


**RAM HOLE PATTERN  
(CONNECTOR SIDE)**



THIS DRAWING CONTAINS INFORMATION THAT IS PROPRIETARY TO MOLEX ELECTRONIC TECHNOLOGIES, LLC AND SHOULD NOT BE USED WITHOUT WRITTEN PERMISSION

DIMENSION UNITS: mm	SCALE: NTS	CURRENT REV DESC: MIGRATED TO NX	<b>molex</b>			
GENERAL TOLERANCES (UNLESS SPECIFIED)		EC NO: 705090				IMPACT 100 OHM 2 PAIR RAM LEFT GUIDED SALES DRAWING
ANGULAR TOL: ± 0.5°	4 PLACES: ±	DRWN: PSHANKARACHA 2019/03/13	PRODUCT CUSTOMER DRAWING			
3 PLACES: ±	3 PLACES: ±	CHK'D: VINODM3 2022/03/31	DOCUMENT NUMBER: SD-76450-002	DOC TYPE: PSD	DOC PART: 001	REVISION: B7
2 PLACES: ± 0.13	1 PLACE: ± 0.25	APPR: LZENG 2022/05/13	INITIAL REVISION:		SHEET NUMBER: 1 OF 2	
0 PLACES: ±		DRWN: MCARRANZA 2008/02/21	DRWING: D-SIZE		SERIES: 76450	
DRAFT WHERE APPLICABLE MUST REMAIN WITHIN DIMENSIONS		APPR: JLAURX 2009/04/17	MATERIAL NUMBER: SEE TABLE		CUSTOMER: GENERAL MARKET	



THIS DRAWING CONTAINS INFORMATION THAT IS PROPRIETARY TO MOLEX ELECTRONIC TECHNOLOGIES, LLC AND SHOULD NOT BE USED WITHOUT WRITTEN PERMISSION									
DIMENSION UNITS		SCALE		CURRENT REV DESC: MIGRATED TO NX					
mm		NTS		<p style="text-align: center;"><b>molex</b></p> <p style="text-align: center;">IMPACT 100 OHM 2 PAIR RAM LEFT GUIDED SALES DRAWING</p> <p style="text-align: center;">PRODUCT CUSTOMER DRAWING</p>					
GENERAL TOLERANCES (UNLESS SPECIFIED)									
ANGULAR TOL		± 0.5°							
4 PLACES		±							
3 PLACES		±							
2 PLACES		± 0.13		EC NO: 705090		DRWN: PSHANKARACHA		2019/03/13	
1 PLACE		± 0.25		CHK'D: VINODM3		2022/03/31		APPR: LZENG	
0 PLACES		±		INITIAL REVISION:		DRWN: MCARRANZA		2008/02/21	
DRAFT WHERE APPLICABLE		THIRD ANGLE PROJECTION		DRAWING		SERIES		MATERIAL NUMBER	
MUST REMAIN WITHIN DIMENSIONS				D-SIZE		76450		SEE TABLE	
DOCUMENT NUMBER				DOC TYPE		DOC PART		REVISION	
SD-76450-002				PSD		001		B7	
CUSTOMER				GENERAL MARKET		SHEET NUMBER		2 OF 2	