

NOTES:

1. MATERIALS AND FINISHES:  
 BODY, BODY REAR, NUT - BRASS, NICKEL PLATING  
 FERRULE - COPPER ALLOY, NICKEL PLATING  
 CONTACT - BeCu, GOLD PLATING  
 INSULATOR - PTFE, NATURAL

2. ELECTRICAL:  
 A. IMPEDANCE: 50 OHM  
 B. FREQUENCY RANGE: DC - 6 GHz  
 C. RETURN LOSS : -25 dB MAX TO 3 GHz  
 -20 dB MAX TO 6 GHz  
 D. DIELECTRIC WITHSTANDING VOLTAGE : 500 VRMS

3. MECHANICAL:  
 A. DURABILITY: 500 CYCLES MIN.  
 B. TEMPERATURE RANGE : -65°C TO +165°C

4. ENVIRONMENTAL:  
 A. THERMAL SHOCK PER MIL-STD-202 METHOD 107  
 TEST CONDITION B (EXCEPT HIGH TEMP @200°C)  
 B. VIBRATION: MIL-STD-202 METHOD 204 TEST CONDITION B  
 C. SHOCK: MIL-STD-202 METHOD 213 TEST CONDITION B  
 D. CORROSION: MIL-STD-202 METHOD 101  
 TEST CONDITION B 5% SALT SOLUTION

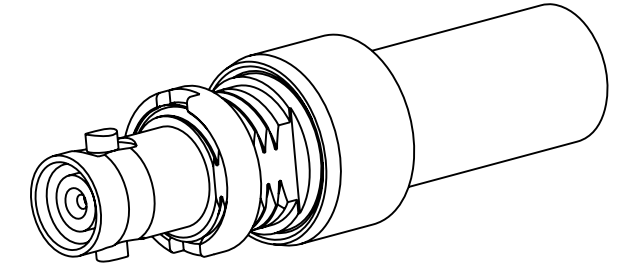
5. PACKAGING:  
 A. QUANTITY: SINGLE PACK  
 B. MARKING: PACKAGING TO BE MARKED  
 "AMPHENOL RF, 34-5080, DATE CODE  
 U.S. PATENT NO. 7,553,177"

6. AMPHENOL SPANNER WRENCH 227-1490 REQUIRED TO  
 MOUNT CONNECTOR TO PANEL.

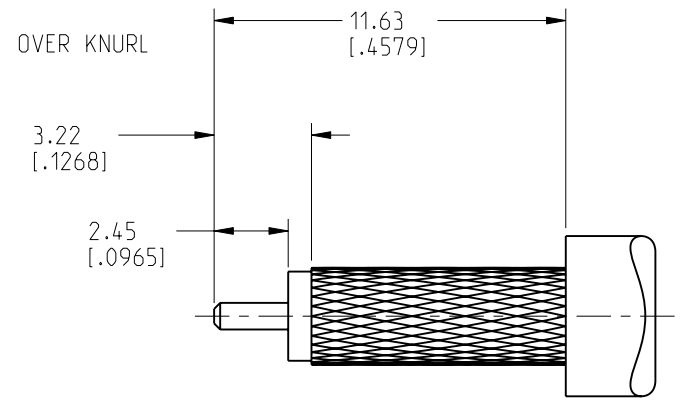
7. CABLE ASSEMBLY INSTRUCTIONS:  
 A. TRIM CABLE AS SHOWN.  
 B. SLIDE FERRULE ONTO CABLE  
 C. SOLDER CENTER CONTACT TO CABLE CENTER CONDUCTOR.  
 D. INSERT CABLE WITH FOIL ENTERING CONNECTOR AND BRAID OVER KNURL  
 E. CRIMP FERRULE WITH .213" HEX.

8 SHOWS CABLE ENTRY DIMENSIONS.

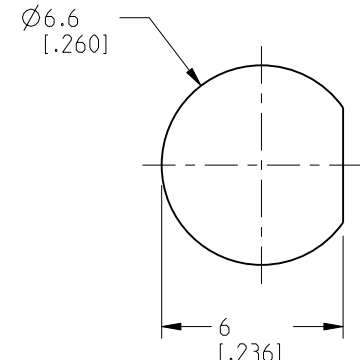
REVISIONS				
REV	DESCRIPTION	DATE	ECN	BY
A	RELEASE TO MFG	17-MAR-22	16155	SH



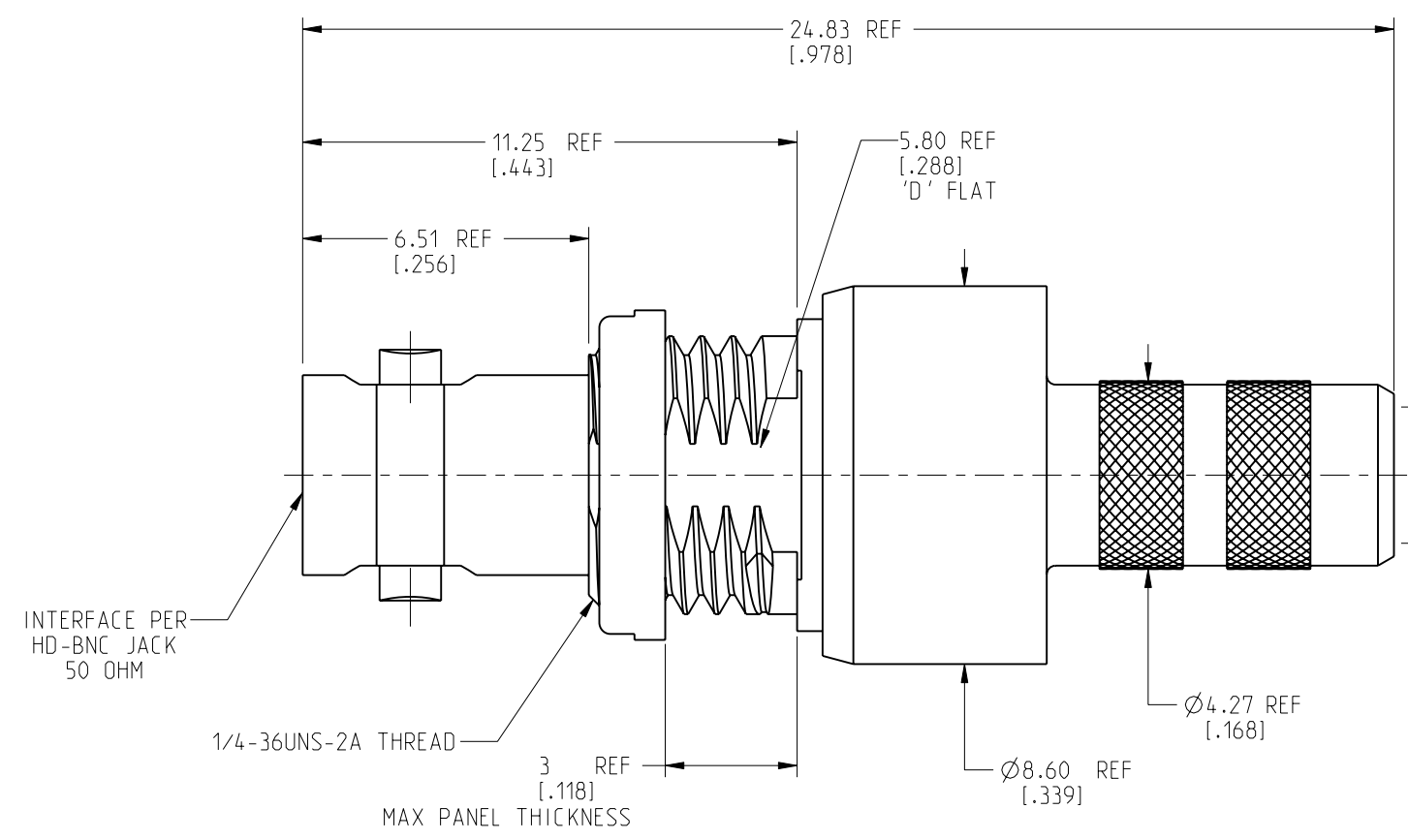
SCALE 3.000



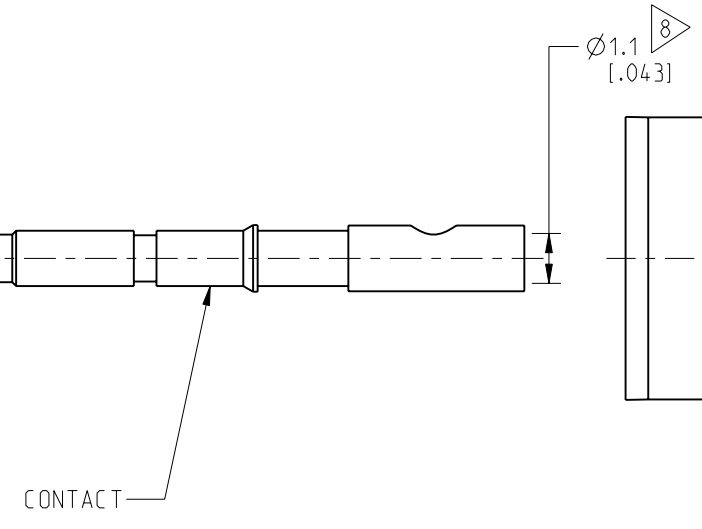
RECOMMENDED CABLE STRIPPING DIMENSIONS



RECOMMENDED MOUNTING HOLE DIMENSIONS



INTERFACE PER  
 HD-BNC JACK  
 50 OHM



CONTACT

FERRULE

PROTECTED UNDER U.S. PATENT # 7,553,117

CUSTOMER OUTLINE DRAWING

ALL OTHER SHEETS ARE FOR INTERNAL USE ONLY

NOTICE: These drawings, specifications, or other data (1) are, and remain the property of Amphenol corp. (2) must be returned upon request; and (3) are confidential and not to be disclosed to any person other than those to whom they are given by Amphenol Corp. The furnishing of these drawings, specifications, or other data by Amphenol Corp., or to any other person to anyone for any purpose is not to be regarded by implication or otherwise in any manner licensing, granting rights to permitting such holder or any other person to manufacture, use or sell any product, process or design, patented or otherwise, that may in any way be related to or disclosed by said drawings, specifications, or other data.

THIRD ANGLE PROJ.

REFERENCE: 34-5063 EAR#: 10879

UNLESS OTHERWISE SPECIFIED  
 DIMENSIONS ARE METRIC (INCHES) AND TOLERANCES ARE:  
 <0.5mm = ±0.05mm [ $\pm 0.002$ ]  
 0.5 - 6mm = ±0.1mm [ $\pm 0.020 - 0.236 = \pm 0.004$ ]  
 >6.00 - 30mm = ±0.2mm [ $\pm 0.236 - 1.181 = \pm 0.008$ ]  
 >30.00 - 120mm = ±0.3mm [ $\pm 1.181 - 4.725 = \pm 0.012$ ]

ANGLES = ±1°

MATERIAL: SEE NOTE

ENGR.1: C.CROTTY ENGR.2: WIKI DATE: 10-JAN-202

TITLE: 50 OHM HD-BNC STR BHD JACK FOR LMR-195-UF

SHEET NO. 2 OF 2 SCALE: 6.0:1.0

Amphenol RF

SIZE: B	DRAWING NO. 34-5080	REV: A
	ITEM NO. 34-5080	
	PART NO. 34-5080	