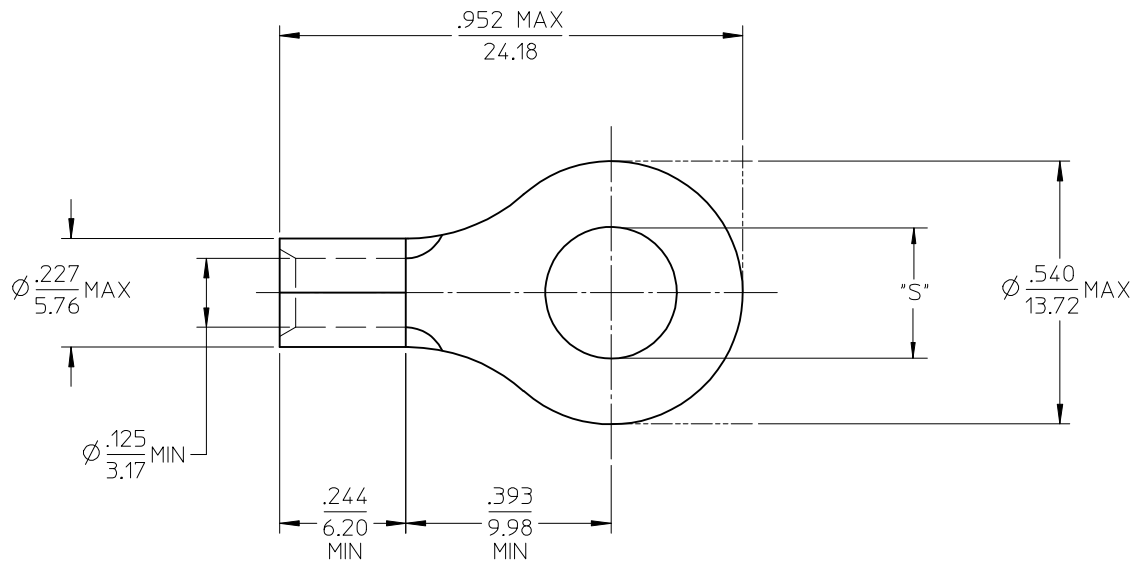
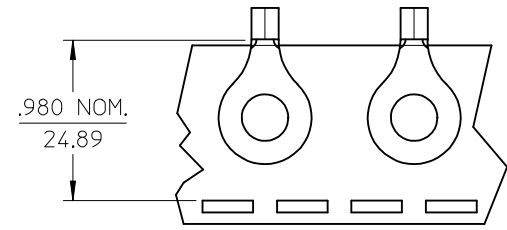


MATERIAL NO. LOOSE PIECE	ENG. NO.	MATERIAL NO. TAPE MOUNTED	ENG. NO.	STUD SIZE	±.003 "S"	STOCK THICKNESS
191930114	C-330-10	191930115	C-330-10T	10	.198	.040 (1.02)
191930116	C-330-14	191930118	C-330-14T	1/4	.265	
191930120	C-330-56	191930122	C-330-56T	5/16	.328	



SALES DRAWING

- NOTE(S):
1. MATERIAL: COPPER
 2. PLATING: ELECTROPLATE TIN
 3. ALL DIMENSIONS IN INCHES/(MM).
 4. WIRE SIZE: 12-10 AWG
4.0-6.0 MM²

REVISED/UPDATE TO MX STD EC NO: ETC2003-0315 DRWN:DMYRICK 2003/08/20 CHKD:HEB 2003/08/21 APPR:RDEROSS 2003/08/21	QUALITY SYMBOLS	GENERAL TOLERANCES (UNLESS SPECIFIED)	SCALE 4:1	DESIGN UNITS INCH	THIRD ANGLE PROJECTION	REVISE ON CAD ONLY
	▽ - 0 ▽ - 0	4 PLACES ± --- ± ---	mm	INCH	TITLE	
		3 PLACES ± --- ± .005	DIMENSION STYLE		RING TONGUE TERMINAL	
	A	2 PLACES ± 0.13 ± .01	IN/MM		VERSAKRIMP	
1 PLACE ± 0.25 ± ---		DRAWN BY DATE		12-10 AWG		
	ANGULAR ± 1/2°	DLM 03/06/13		MATERIAL NO. DOCUMENT NO. SHEET NO.		
	DRAFT WHERE APPLICABLE	CHECKED BY DATE		MOLLEX MOLEX INCORPORATED		
	MUST REMAIN WITHIN DIMENSIONS	HEB 03/06/13		(SEE CHART) SD-19193-024 1 OF 1		
		APPROVED BY DATE		THIS DRAWING CONTAINS INFORMATION THAT IS PROPRIETARY TO MOLEX INCORPORATED AND SHOULD NOT BE USED WITHOUT WRITTEN PERMISSION		
		RWD 03/06/13				