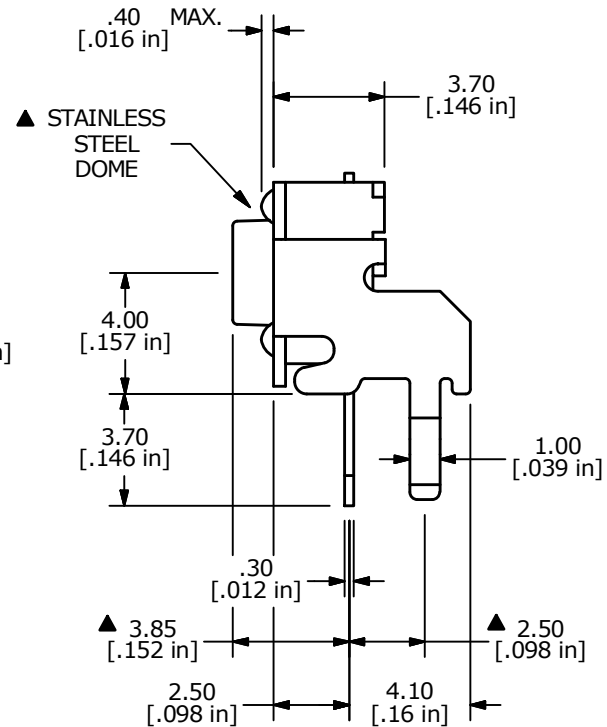
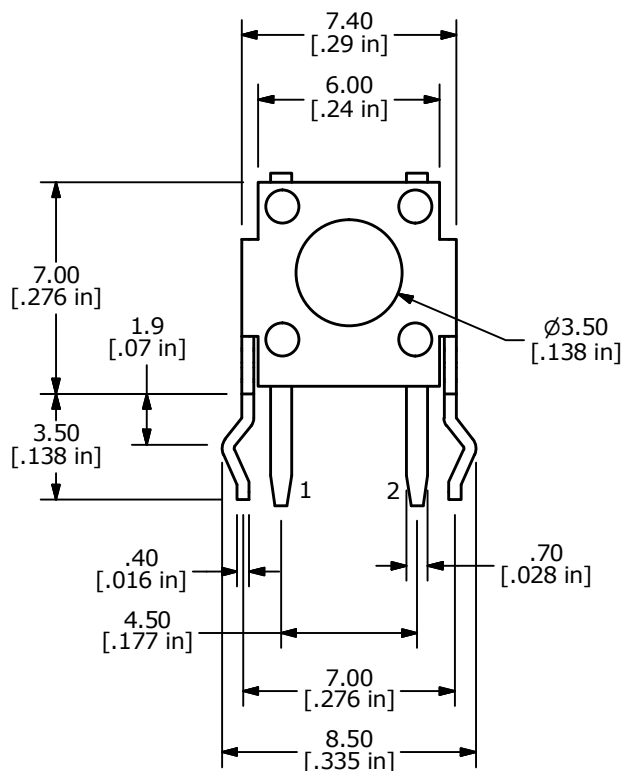
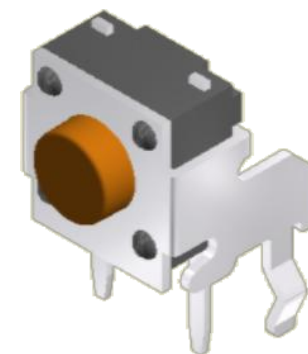
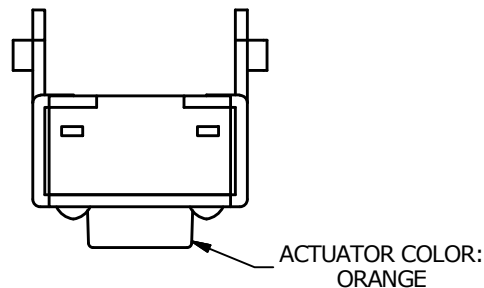


- NOTES:
1. ALL DIMENSIONS IN MM
  2. GENERAL TOLERANCE: X.X =  $\pm 0.4$   
X.XX =  $\pm 0.25$
  3. TERM. NUMBERS FOR REFERENCE ONLY.
  - ▲ 4. CONTACT MATERIAL: SILVER W/ STAINLESS STEEL DOME
  - ▲ 5. RATING: 12VDC, 50mA
  - ▲ 6. OPERATING FORCE: 250  $\pm$ 50 gms
  7. TRAVEL: 0.25 +0.2/-0.1 mm
  8. CONTACT RESISTANCE: 100 MILLI OHMS MAX. (INITIAL)
  9. MECHANICAL/ELECTRICAL LIFE 100,000 CYCLES MIN.
  10. ▲ DENOTES CRITICAL PARAMETER
  11. 2011/65/EU (ROHS) COMPLIANT
  - ▲ 12. PACKAGING: 1,000 PIECES PER REEL



C	23373	correct Note 6 to 250	5/17/18	MW
B	18853	REVISE LIFE EXPECTANCY (WAS 100,000)	2/5/10	BLR
A	18701	RELEASED FOR PRODUCTION	11/6/09	BLR
REV	PCR NO	DESCRIPTION	DATE	BY

THE INFORMATION CONTAINED IN THIS DOCUMENT IS PROPRIETARY TO E-SWITCH AND IS NOT TO BE COPIED OR TRANSFERRED



TITLE TL1105VF250QSSDOME				
SCALE	DATE	DR	DWG	REV
4:1	2/5/2010	BLR	P010251	C